



US00D820133S

(12) **United States Design Patent** (10) **Patent No.:** **US D820,133 S**  
**Pena et al.** (45) **Date of Patent:** **\*\* Jun. 12, 2018**

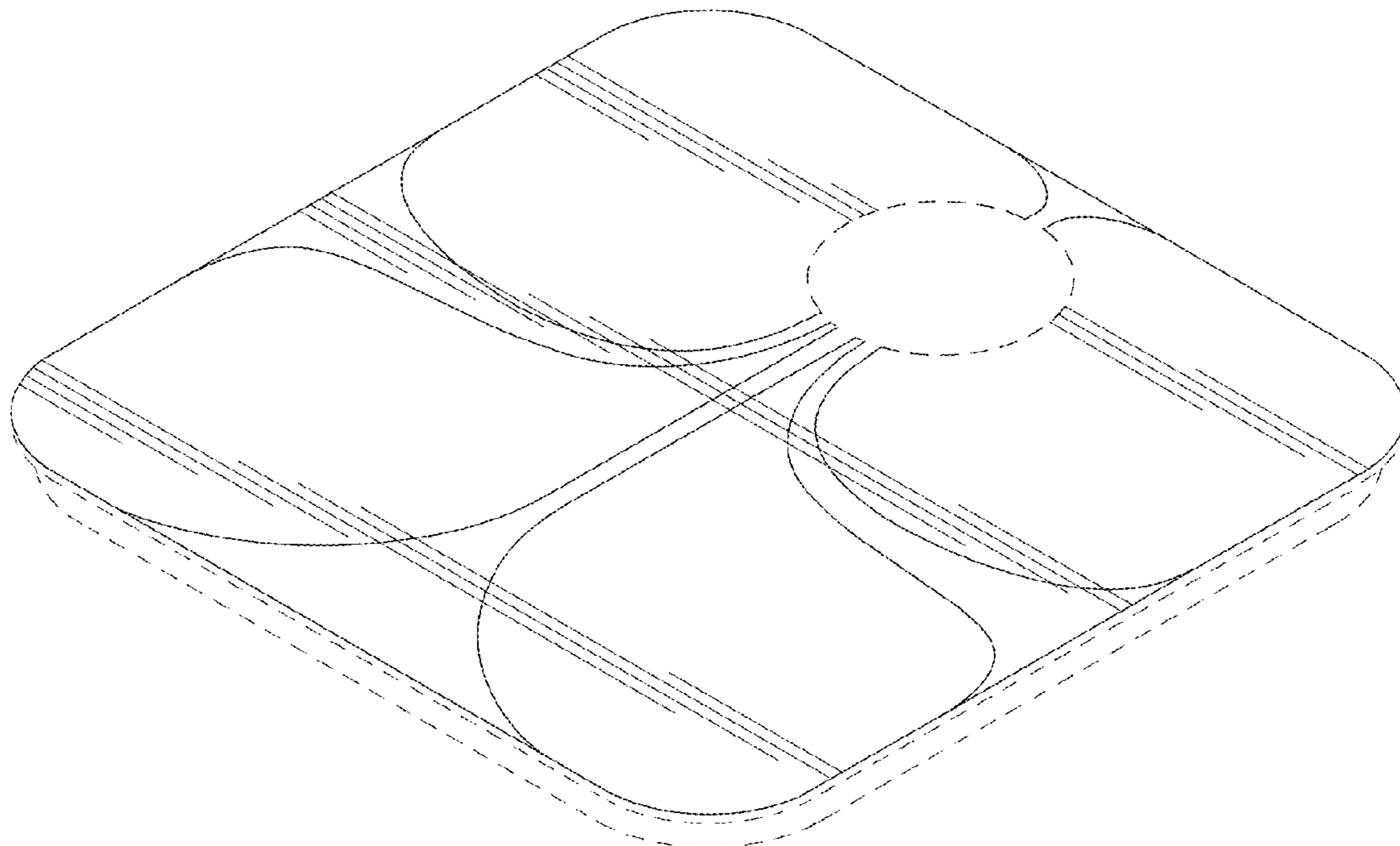
(54) **SURFACE ORNAMENTATION FOR A HEALTH AND FITNESS SCALE**  
(71) Applicant: **NCI Technology Inc.**, Oakbrook Terrace, IL (US)  
(72) Inventors: **Gail Pena**, Oakbrook Terrace, IL (US); **Weilong Li**, Oakbrook Terrace, IL (US)  
(73) Assignee: **NCI Technology, Inc.**, Oakbrook Terrace, IL (US)  
(\*\*) Term: **15 Years**  
(21) Appl. No.: **29/588,315**  
(22) Filed: **Dec. 20, 2016**  
(51) **LOC (11) Cl.** ..... **10-04**  
(52) **U.S. Cl.**  
USPC ..... **D10/94**  
(58) **Field of Classification Search**  
USPC ..... D10/91, 92, 94  
CPC ..... A61B 5/053; A61B 5/4872; A61B 5/0537; A61B 5/4869; A61B 5/6825; A61B 5/6829; A61B 5/7445; G01G 19/44; G01G 19/445; G01G 19/46; G01G 19/48; G01G 19/50; G01G 21/28; G01G 21/283; G01G 19/286; G01G 19/30  
See application file for complete search history.

(56) **References Cited**  
U.S. PATENT DOCUMENTS  
D545,708 S \* 7/2007 Kajimoto ..... D10/92  
D582,306 S \* 12/2008 Wright ..... D10/92  
\* cited by examiner  
*Primary Examiner* — Antoine Duval Davis  
(74) *Attorney, Agent, or Firm* — Dunlap Bennett & Ludwig PLLC; Brendan Squire

(57) **CLAIM**  
The design for a surface ornamentation for a health and fitness scale, as shown and described.

**DESCRIPTION**  
FIG. 1 is a front perspective view of a surface ornamentation for a health and fitness scale face showing my new design; and,  
FIG. 2 is a top plan view thereof.  
The broken lines shown in the drawings illustrate environment that form no part of the claimed design.

**1 Claim, 2 Drawing Sheets**



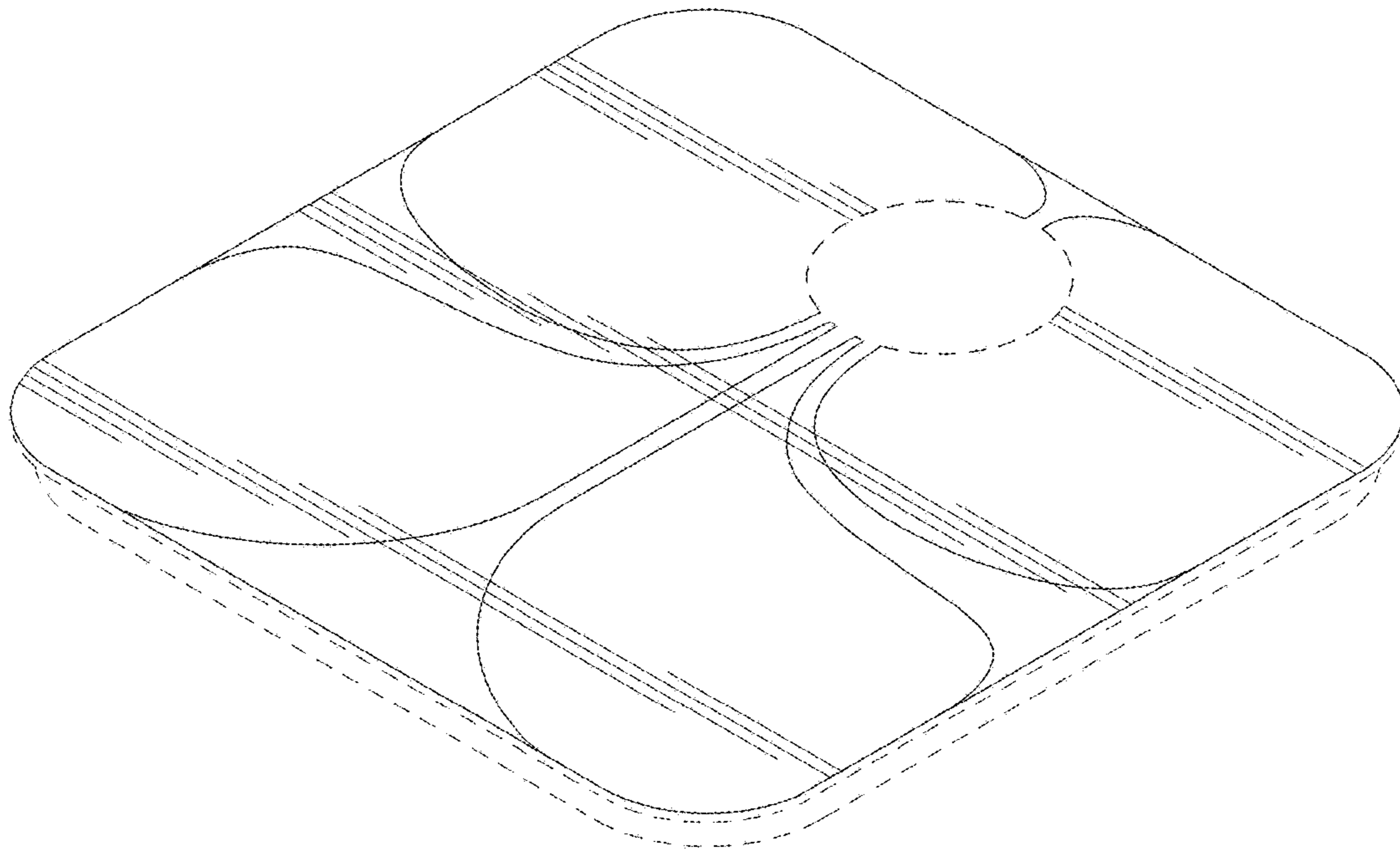


FIG.1

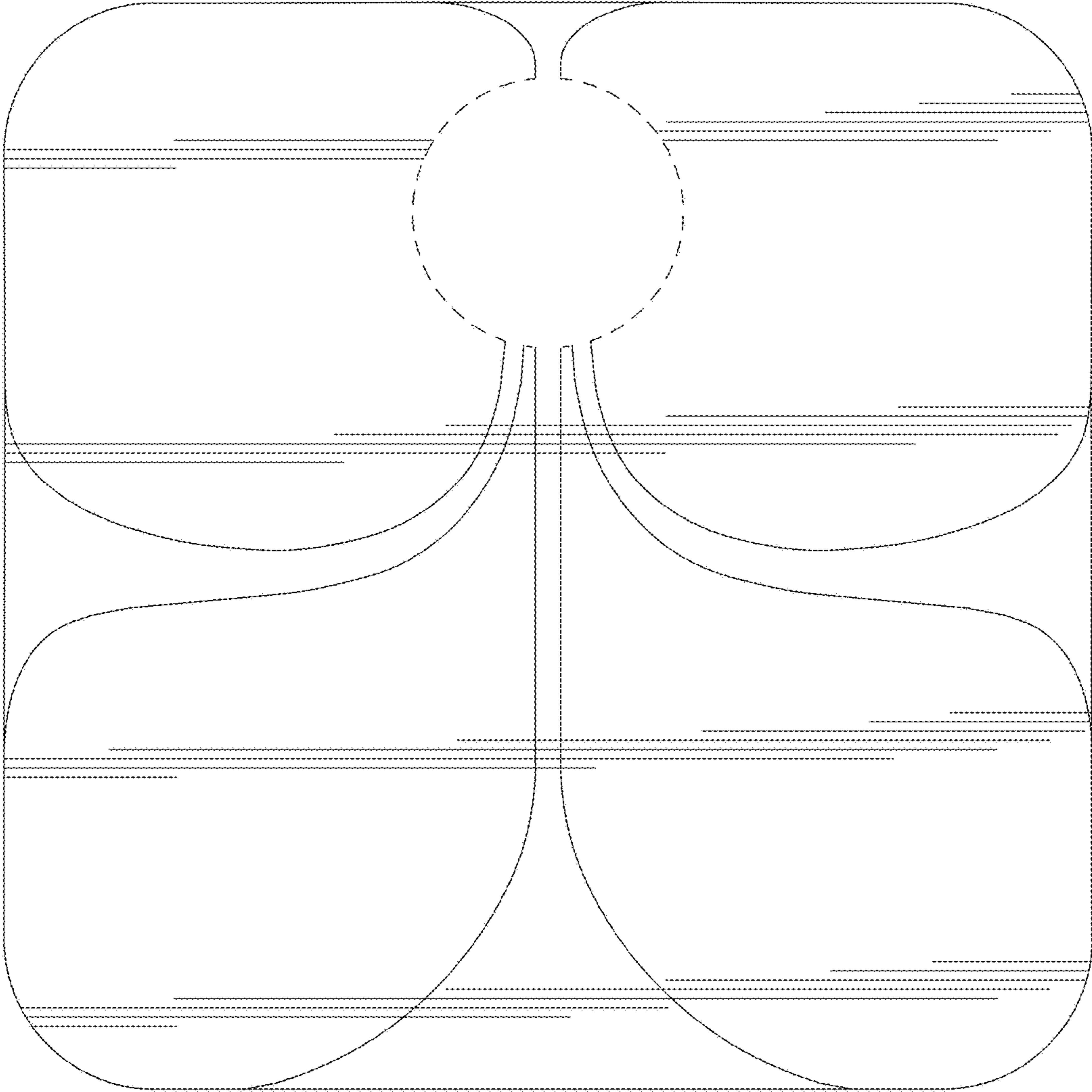


FIG.2