

US00D820132S

(12) **United States Design Patent**  
**Zong et al.**

(10) **Patent No.:** **US D820,132 S**  
(45) **Date of Patent:** **\*\* Jun. 12, 2018**

- (54) **ELECTRONIC SCALE**
- (71) Applicants: **Mettler-Toledo (Changzhou) Measurement Technology Co., Ltd.**, Changzhou (CN); **Mettler-Toledo (Changzhou) Precision Instrument Co., Ltd.**, Changzhou (CN); **Mettler-Toledo International Trade (Shanghai) Co., Ltd.**, Shanghai (CN)
- (72) Inventors: **Zehua Zong**, Changzhou (CN); **Lei Gao**, Changzhou (CN); **LiGang Chen**, Changzhou (CN)
- (73) Assignees: **Mettler-Toledo (Changzhou) Measurement Technology Co., Ltd.**, Changzhou, Jiangsu Province (CN); **Mettler-Toledo (Changzhou) Precision Instrument Co., Ltd.**, Changzhou, Jiangsu Province (CN); **Mettler-Toledo International Trade (Shanghai) Co., Ltd.**, Shanghai (CN)

7,183,506 B2 \* 2/2007 Teraoka ..... G01G 19/415  
177/2  
D554,012 S \* 10/2007 Medugorac ..... D10/91  
7,612,302 B2 \* 11/2009 Tamkin ..... G01G 19/4144  
177/25.15  
D628,919 S \* 12/2010 Taylor ..... D10/91  
D743,823 S \* 11/2015 Taylor ..... D10/91

\* cited by examiner

*Primary Examiner* — Antoine Duval Davis  
(74) *Attorney, Agent, or Firm* — Standley Law Group LLP

- (\*\*) Term: **15 Years**
- (21) Appl. No.: **29/591,653**
- (22) Filed: **Jan. 23, 2017**
- (51) **LOC (11) Cl.** ..... **10-04**
- (52) **U.S. Cl.**  
USPC ..... **D10/91**
- (58) **Field of Classification Search**  
USPC ..... D10/91  
CPC ..... G01G 19/40; G01G 19/41; G01G 19/413; G01G 19/414; G01G 19/4142; G01G 19/4144; G01G 19/4146; G01G 19/4148; G01G 19/415; G01G 19/417; G01G 23/22; G01G 23/27; G01G 23/37; G01G 23/3728; G01G 23/3735  
See application file for complete search history.

(57) **CLAIM**

The ornamental design for an electronic scale, as shown and described.

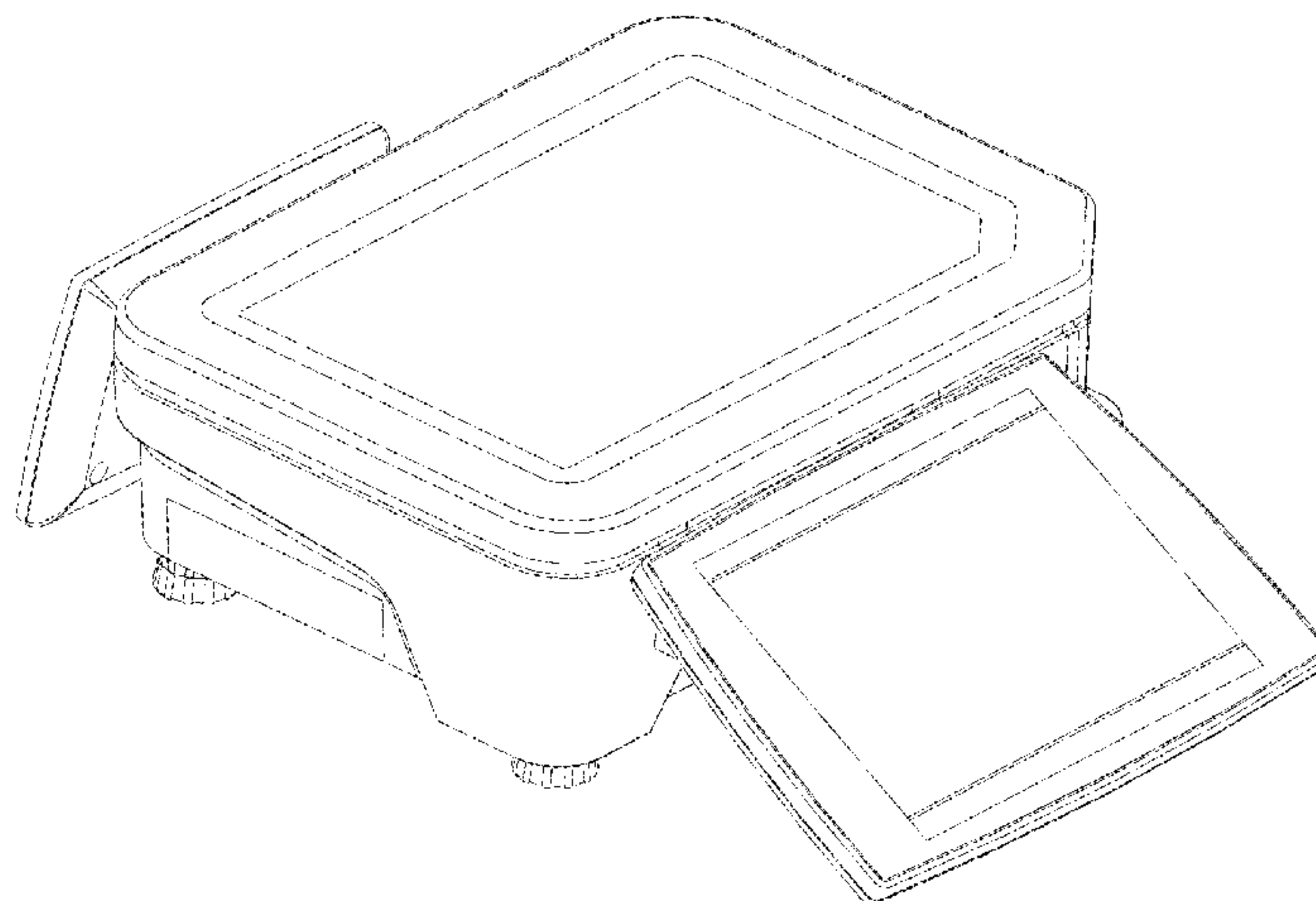
**DESCRIPTION**

FIG. 1 is a front perspective view of a first embodiment of the electronic scale;  
 FIG. 2 is a left-side elevation view thereof;  
 FIG. 3 is a right-side elevation view thereof;  
 FIG. 4 is a front elevation view thereof;  
 FIG. 5 is a rear elevation view thereof;  
 FIG. 6 is a top plan view thereof; and  
 FIG. 7 is a bottom plan view thereof;  
 FIG. 8 is a front perspective view of a second embodiment of the electronic scale;  
 FIG. 9 is a left-side elevation view thereof;  
 FIG. 10 is a right-side elevation view thereof;  
 FIG. 11 is a front elevation view thereof;  
 FIG. 12 is a rear elevation view thereof;  
 FIG. 13 is a top plan view thereof; and,  
 FIG. 14 is a bottom plan view thereof.  
 The broken lining in FIGS. 7 and 14 indicate portions of the device that are not considered a part of the claimed design.

(56) **References Cited**  
U.S. PATENT DOCUMENTS

- 4,852,676 A \* 8/1989 Futakata ..... G01G 19/4144  
177/178
- D454,805 S \* 3/2002 Mimoto ..... D10/91

**1 Claim, 14 Drawing Sheets**



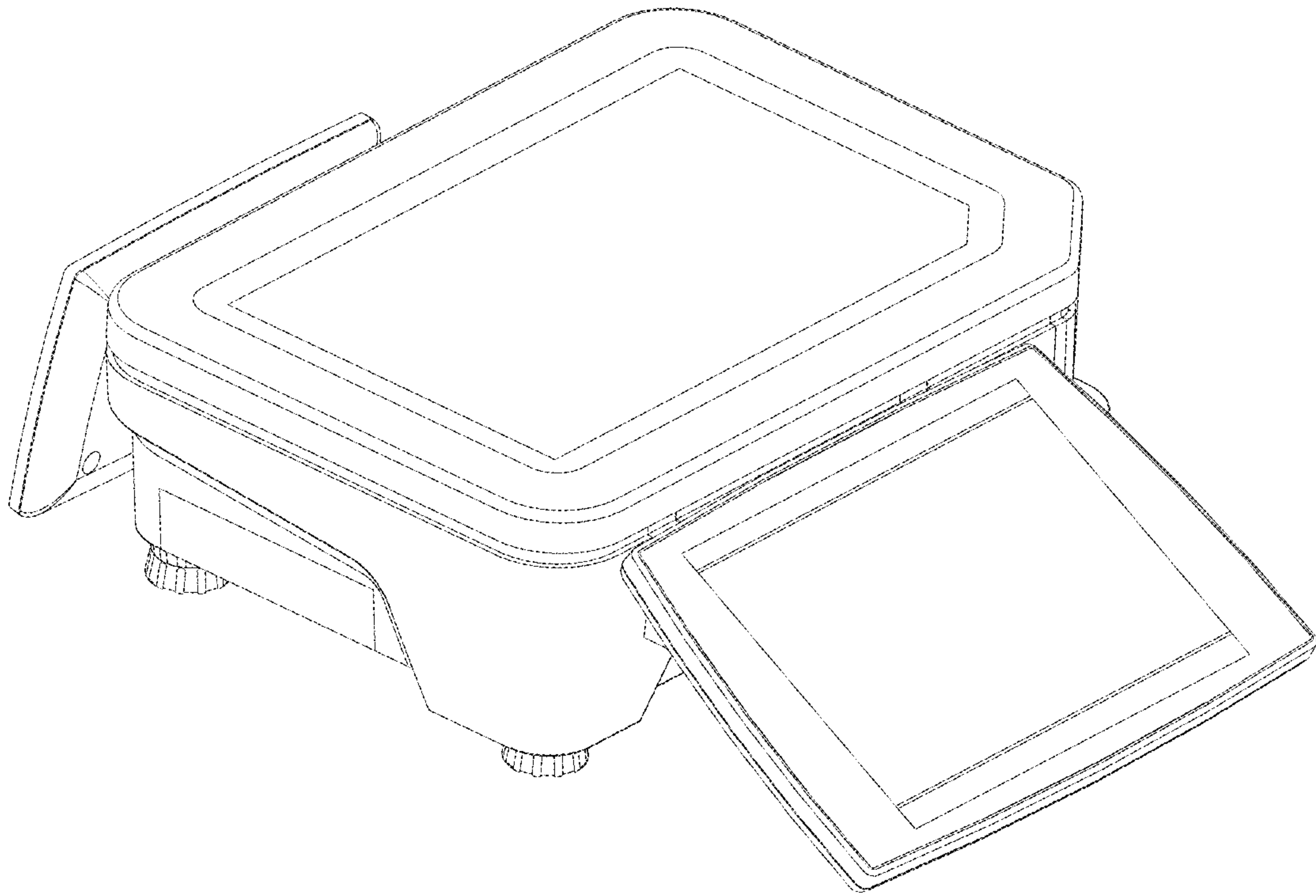


FIG. 1

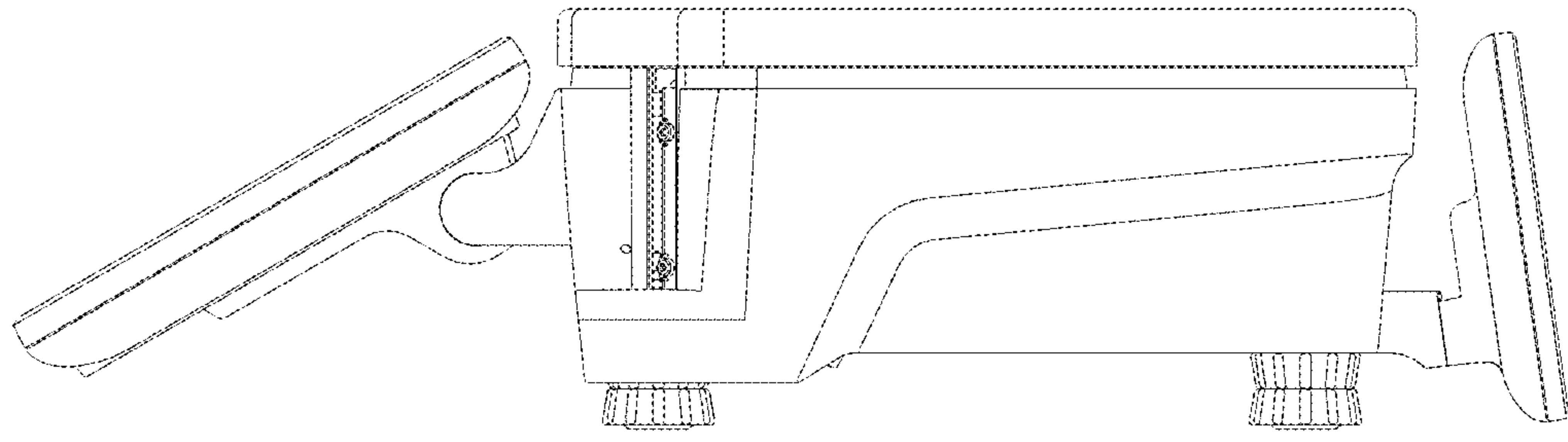


FIG. 2

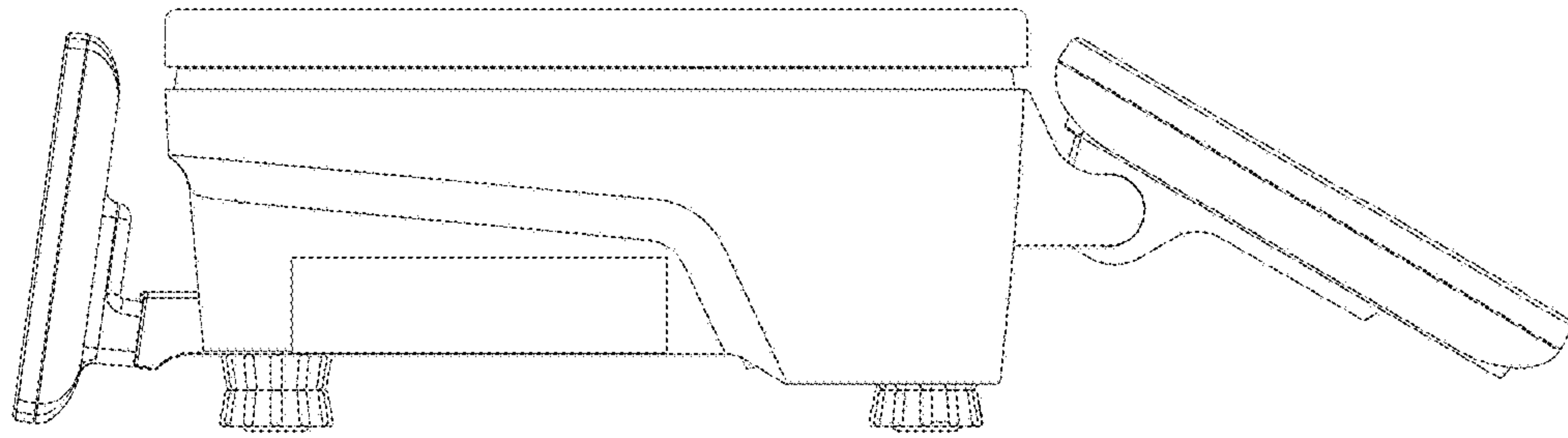


FIG. 3

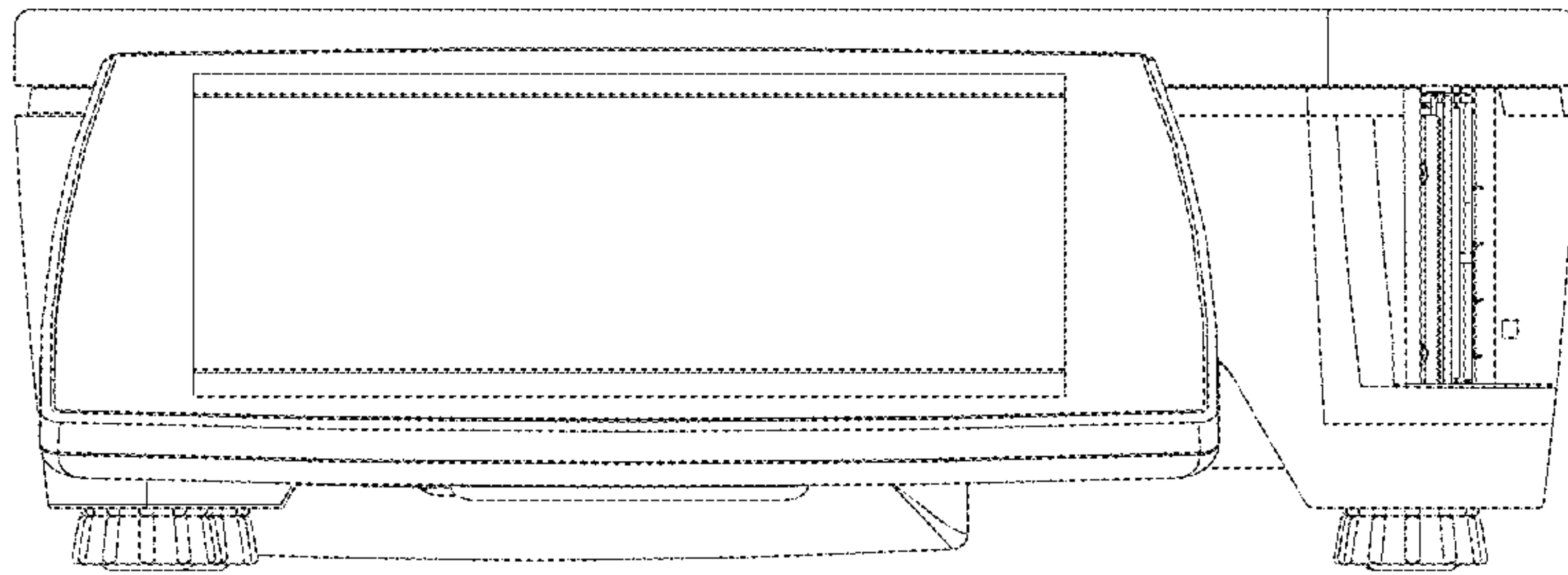


FIG. 4

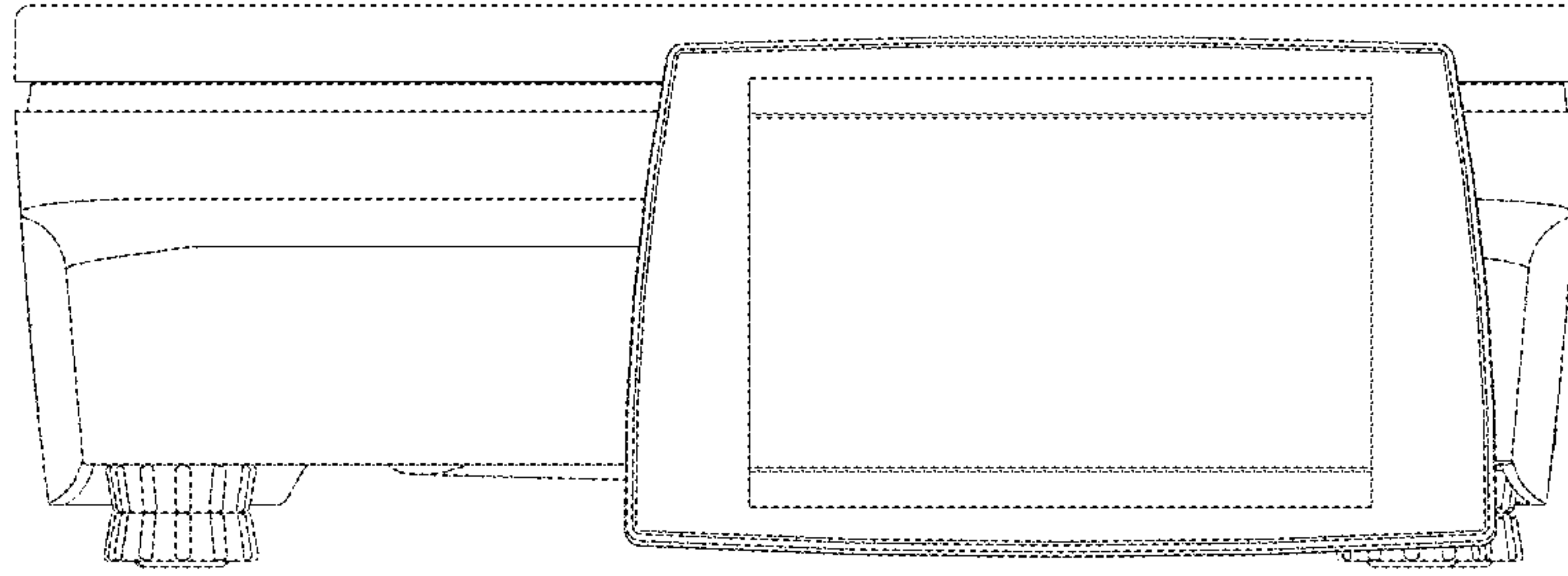


FIG. 5

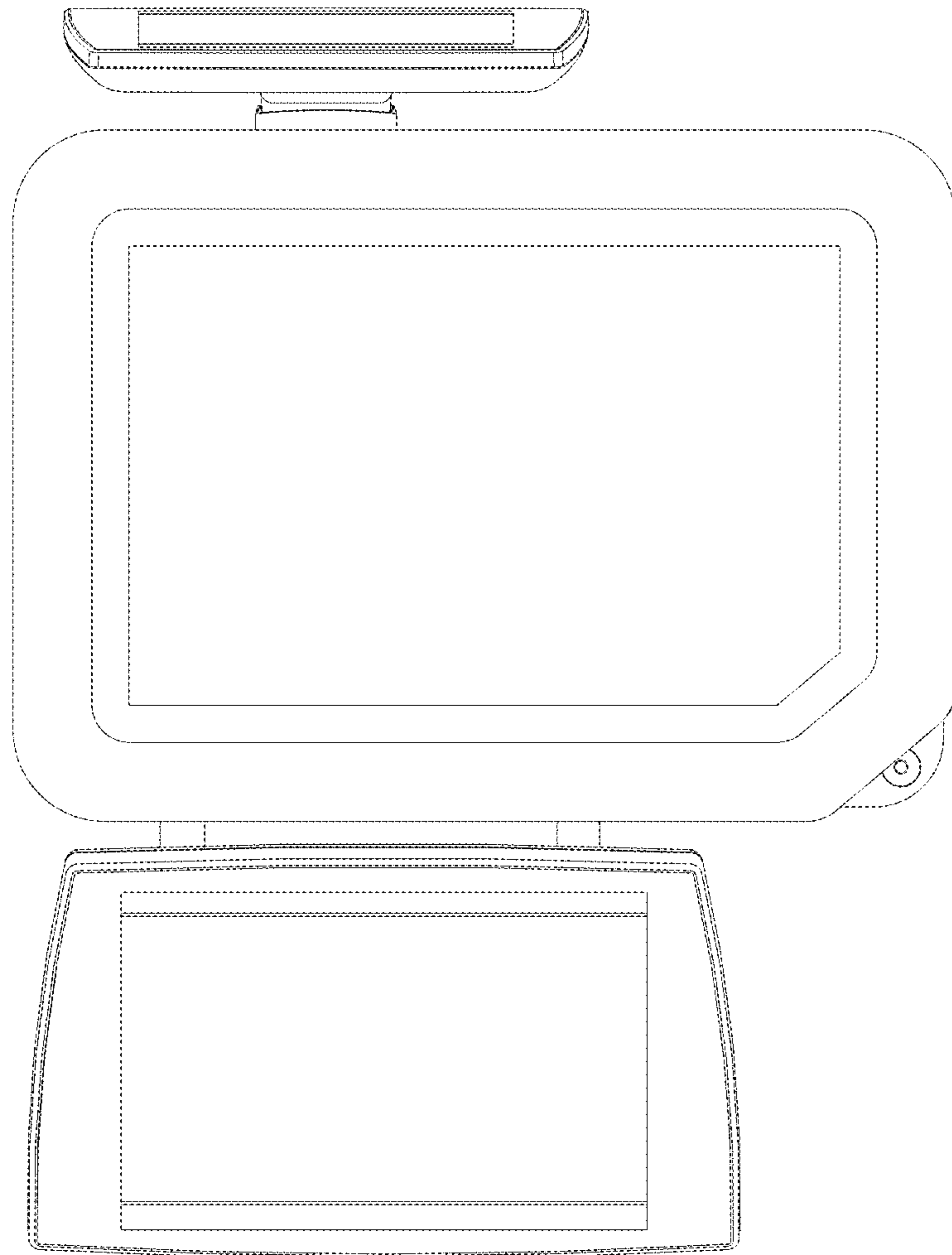


FIG. 6



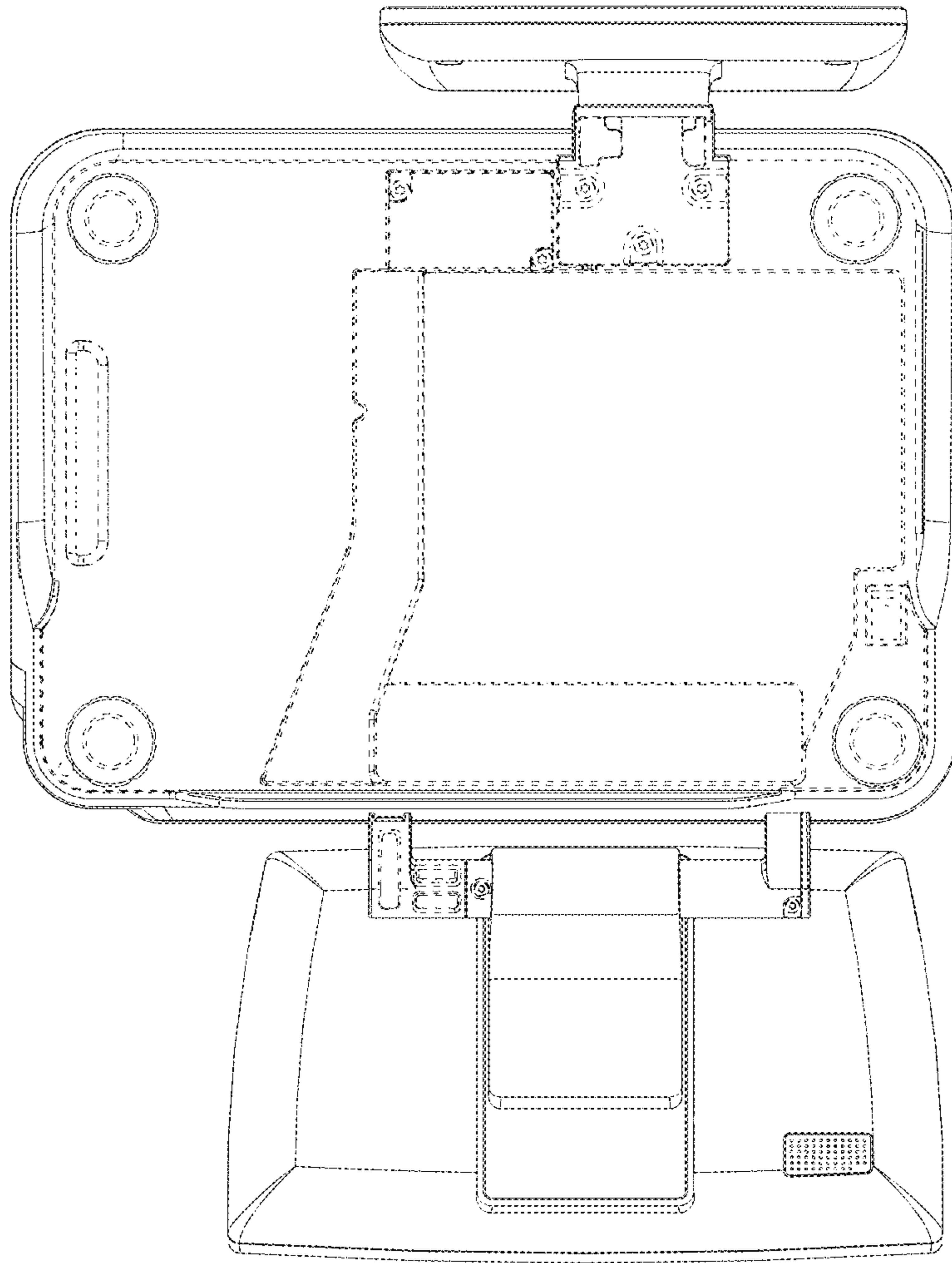


FIG. 7



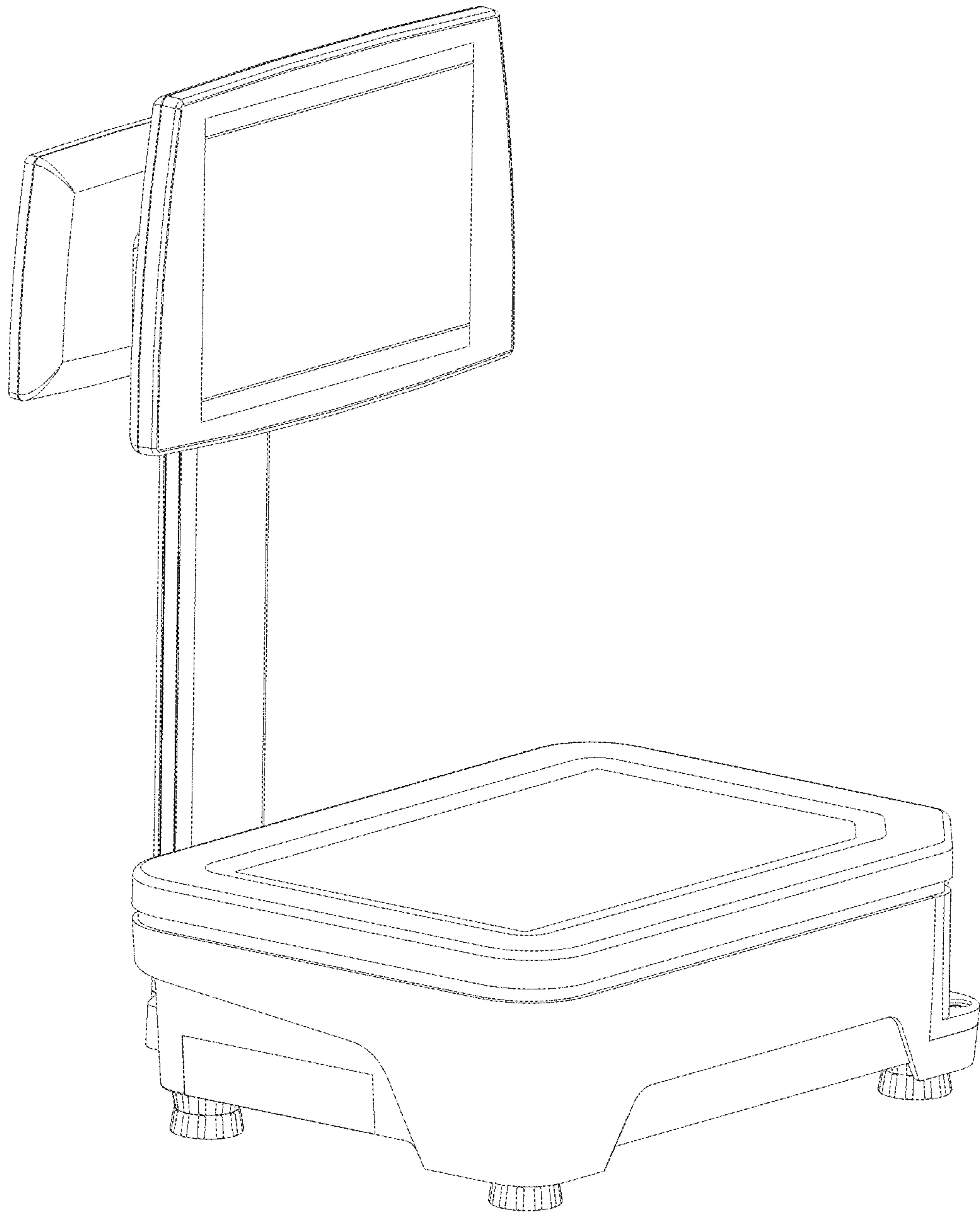


FIG. 8

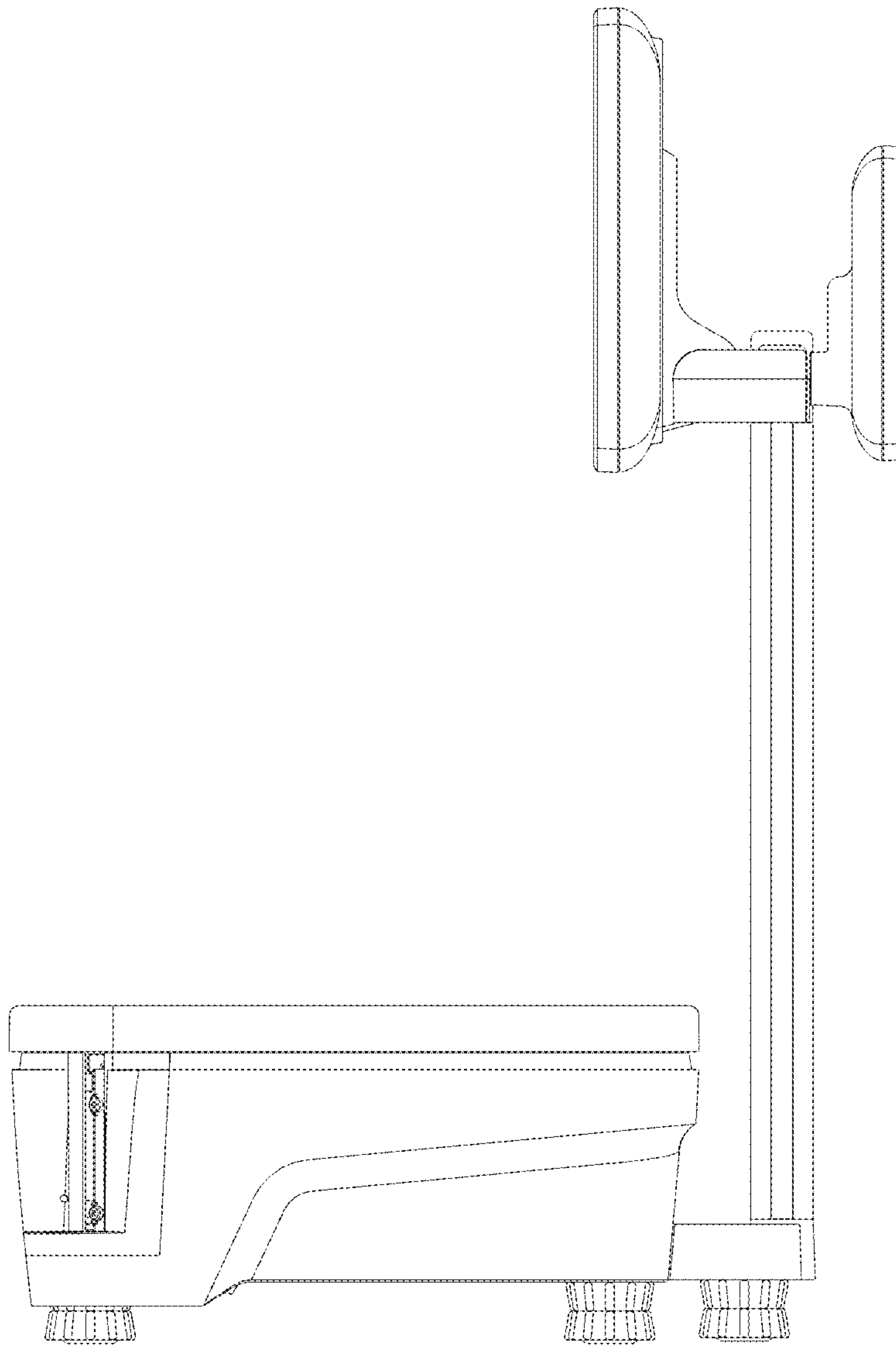


FIG. 9

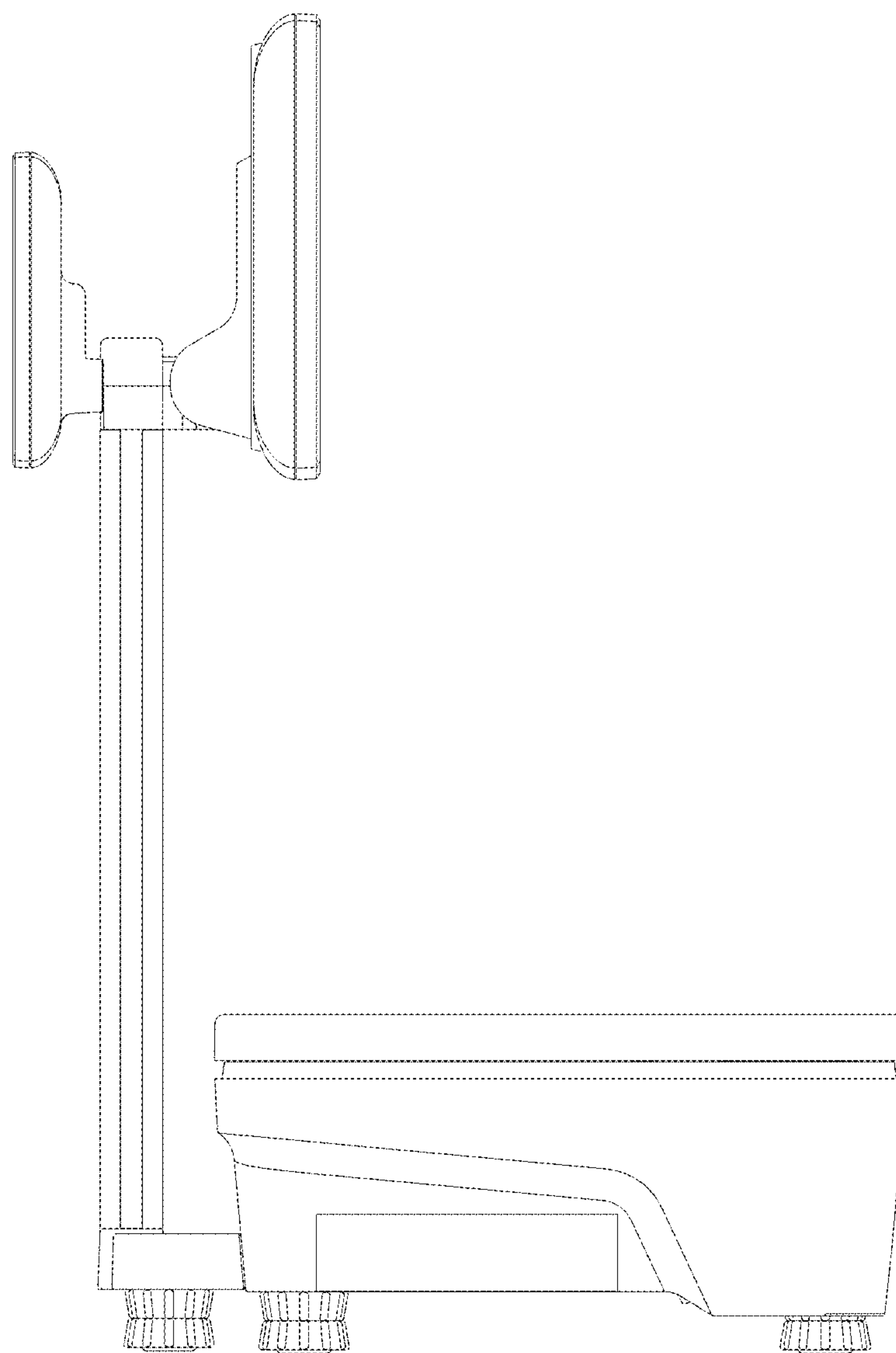


FIG. 10

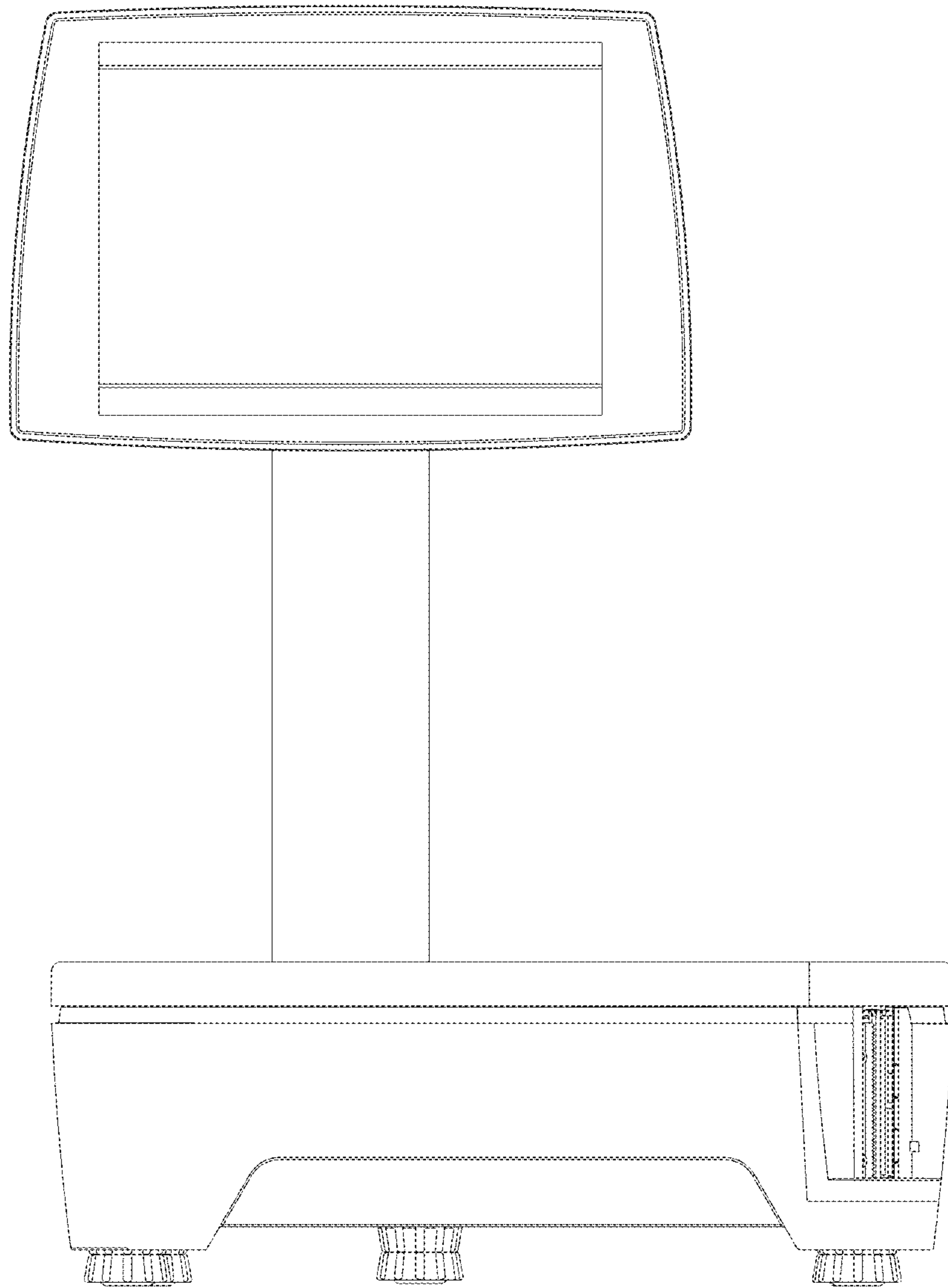


FIG. 11

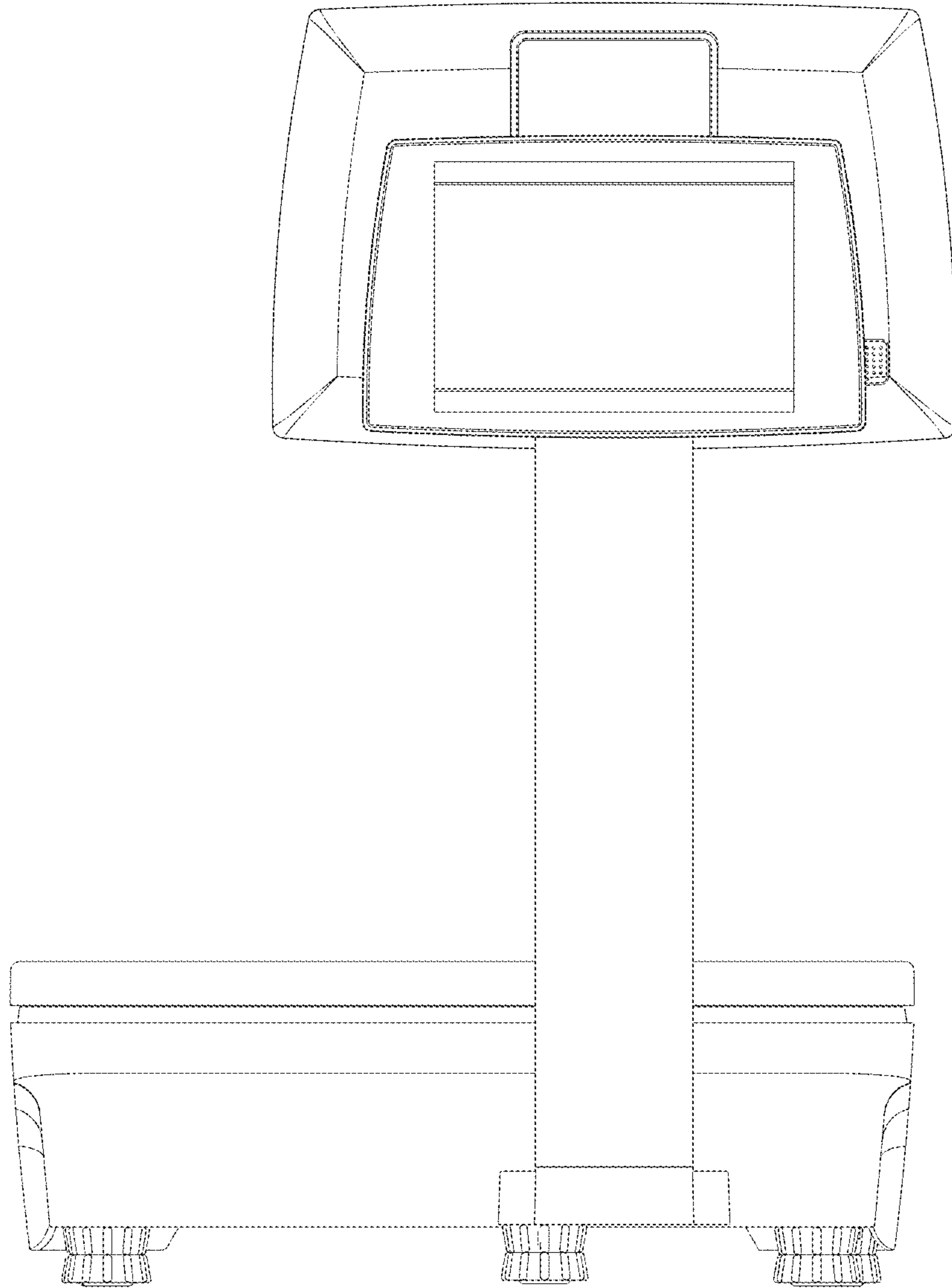


FIG. 12

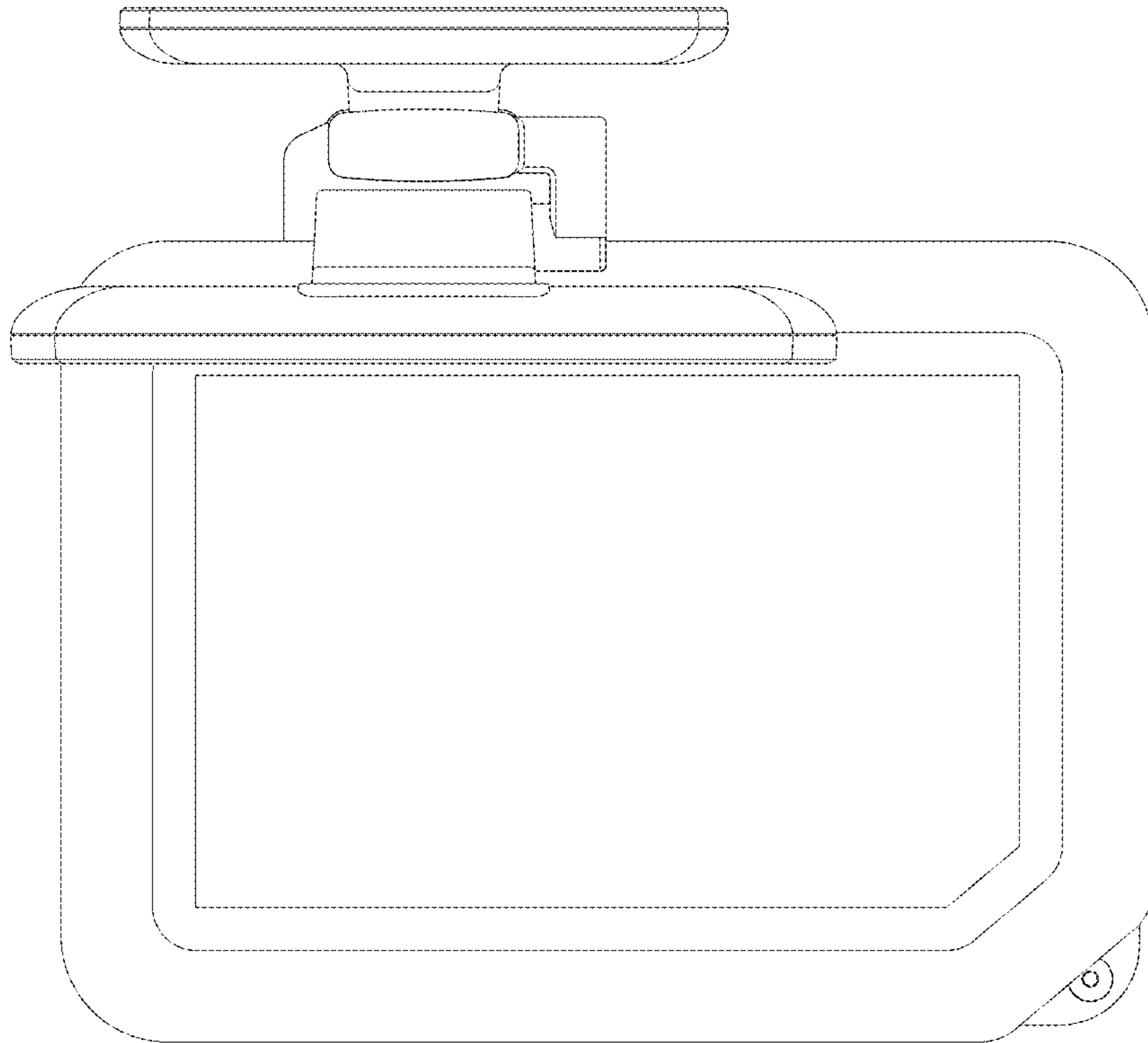


FIG. 13

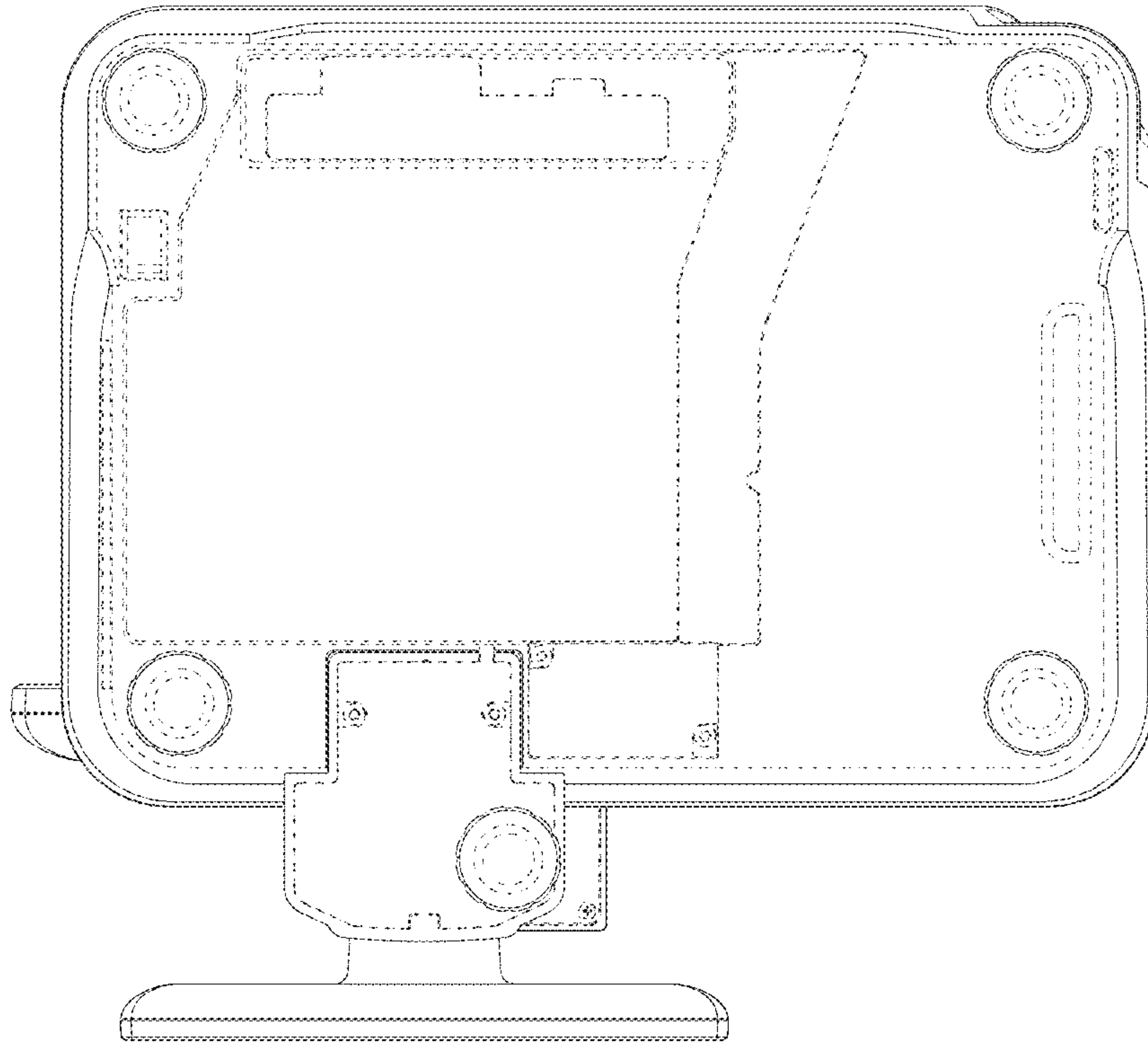


FIG. 14