



US00D820129S

(12) **United States Design Patent** (10) **Patent No.:** **US D820,129 S**  
**Kreitzer et al.** (45) **Date of Patent:** **\*\* Jun. 12, 2018**

(54) **FRONT PANEL FOR A MEASUREMENT INSTRUMENT**

- (71) Applicant: **Tektronix, Inc.**, Beaverton, OR (US)
- (72) Inventors: **Robert R. Kreitzer**, Tigard, OR (US); **Gary J. Waldo**, Hillsboro, OR (US); **Kenneth P. Dobyns**, Beaverton, OR (US); **Mark A. Briscoe**, Portland, OR (US); **Michael J. Wadzita**, Vancouver, WA (US); **Pechluck S. Laskey**, Portland, OR (US); **Jared Randall**, Seattle, WA (US); **Jordan P. Evans**, Seattle, WA (US); **Joshua M. Kornfeld**, Seattle, WA (US); **Jonah S. Griffith**, Seattle, WA (US); **Phelan W. Miller**, Seattle, WA (US)
- (73) Assignee: **Tektronix, Inc.**, Beaverton, OR (US)
- (\*\*) Term: **15 Years**
- (21) Appl. No.: **29/603,725**
- (22) Filed: **May 11, 2017**

**Related U.S. Application Data**

- (60) Continuation of application No. 29/562,905, filed on Apr. 29, 2016, which is a division of application No. 29/509,914, filed on Nov. 21, 2014.
- (51) **LOC (11) Cl.** ..... **10-04**
- (52) **U.S. Cl.**  
USPC ..... **D10/80; D10/103**
- (58) **Field of Classification Search**  
USPC ..... D10/75, 76, 80, 103  
CPC .... G01R 13/20; G01R 13/202; G01R 13/405; G01R 13/208; G01R 13/204; G01R 13/206; G01R 13/22; G01R 13/225; G01R 13/24; G01R 13/2245; G01R 13/26; G01R 13/28;

(Continued)

(56) **References Cited**

U.S. PATENT DOCUMENTS

- 5,003,248 A 3/1991 Johnson  
5,247,287 A 9/1993 Jonker et al.  
(Continued)

OTHER PUBLICATIONS

Non-Final Office Action for U.S. Appl. No. 25/509,914, dated Jul. 23, 2015, 19 pages.

*Primary Examiner* — Antoine Duval Davis

(74) *Attorney, Agent, or Firm* — Marger Johnson; Andrew J. Harrington

(57) **CLAIM**

The ornamental design for a front panel for a measurement instrument, as shown and described.

**DESCRIPTION**

FIG. 1 is a front left perspective view of a test and measurement instrument incorporating the ornamental design of the front panel.

FIG. 2 is a front right perspective view of the front panel for a measurement instrument of FIG. 1.

FIG. 3 is a front elevation view of the front panel for a measurement instrument of FIG. 1. FIG. 3A is an enlarged view of the arrangement of the controls of the of the front panel for a measurement instrument of FIG. 1.

FIG. 4 is a right-side elevation of the front panel for a measurement instrument of FIG. 1.

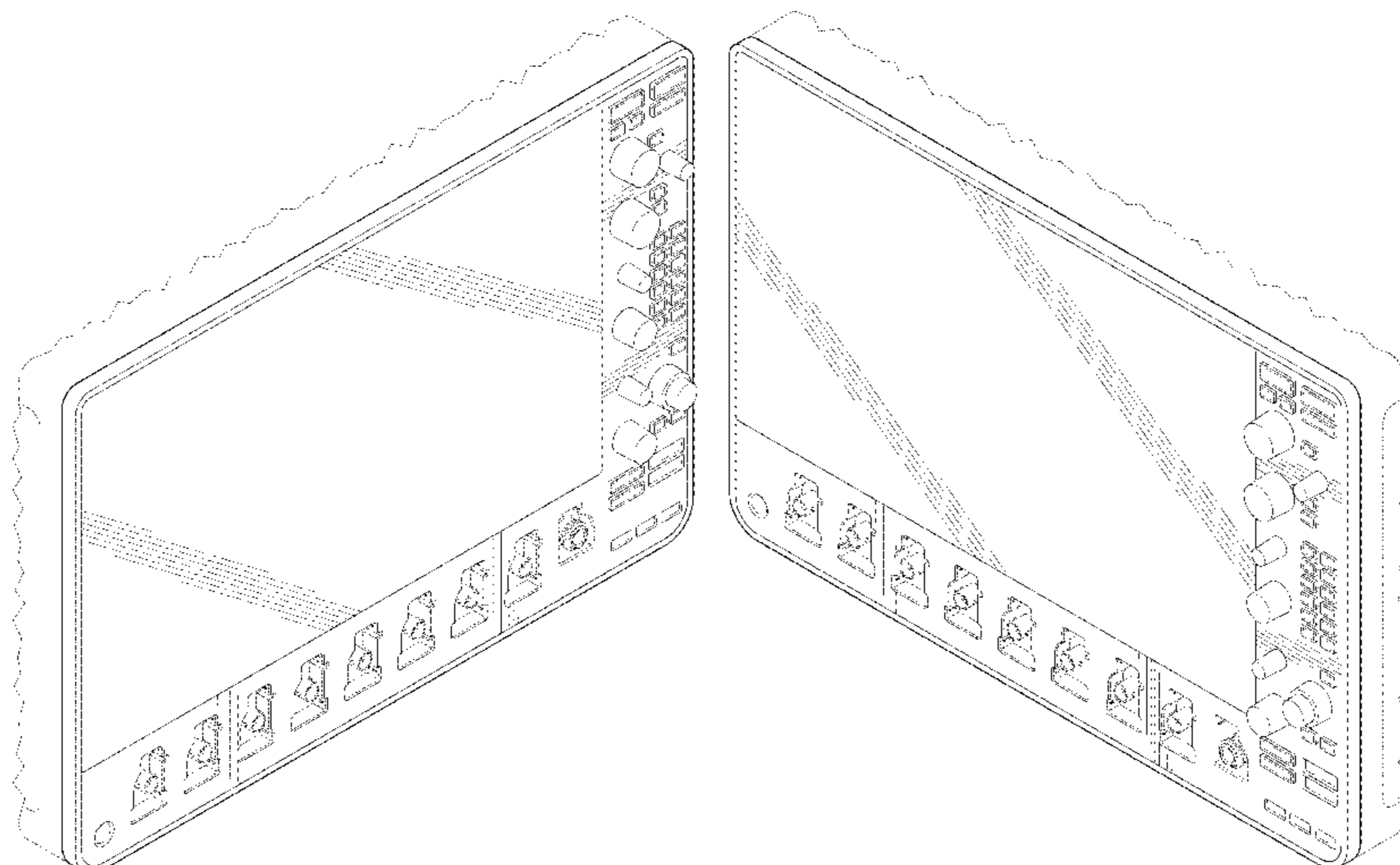
FIG. 5 is a left-side elevation of the front panel for a measurement instrument of FIG. 1.

FIG. 6 is a top plan view of the front panel for a measurement instrument of FIG. 1; and,

FIG. 7 is a bottom plan view of the front panel for a measurement instrument of FIG. 1.

The portions of the front panel for a measurement instrument shown in broken lines form no part of the claimed design.

**1 Claim, 6 Drawing Sheets**



(58) **Field of Classification Search**

CPC ..... G01R 13/30; G01R 13/305; G01R 13/32;  
 G01R 13/325; G01R 13/34; G01R  
 13/347; G01R 13/342; G01R 13/345;  
 G01R 13/36; G01R 13/38; G01R 13/40;  
 G01R 13/401; G01R 13/402; G01R  
 13/403; G01R 13/404; G01R 13/406;  
 G01R 13/407; G01R 13/408; G01R  
 13/42; G01R 31/316; G01R 31/3161;  
 G01R 31/3163; G01R 31/3137

See application file for complete search history.

(56) **References Cited**

U.S. PATENT DOCUMENTS

D377,319 S 1/1997 Amano et al.  
 D423,383 S 4/2000 Fernandez et al.  
 6,178,359 B1 1/2001 Dobyms  
 6,218,824 B1 4/2001 Oldstead et al.  
 6,437,552 B1 8/2002 Sekel et al.

D472,171 S 3/2003 Wrisley et al.  
 6,720,776 B2 4/2004 Anderson et al.  
 D500,694 S 1/2005 Wrisley et al.  
 D501,414 S 2/2005 Graef et al.  
 D556,066 S 11/2007 Hoang et al.  
 7,847,792 B2 12/2010 Ketterer et al.  
 D643,841 S 8/2011 Lyford et al.  
 D649,971 S 12/2011 Lyford et al.  
 D663,636 S 7/2012 Dobyms et al.  
 D682,787 S 5/2013 Lyford et al.  
 D689,428 S 9/2013 Kiwaki et al.  
 D689,437 S 9/2013 Lyford et al.  
 D697,480 S 1/2014 Lyford et al.  
 D721,036 S 1/2015 Kreitzer  
 D721,606 S 1/2015 Mayr  
 D747,987 S 1/2016 Ohtani  
 D763,713 S 8/2016 Martel  
 D797,586 S \* 9/2017 Umezawa ..... D10/76  
 2008/0192071 A1 8/2008 Herring et al.  
 2008/0278143 A1 11/2008 Cox et al.  
 2011/0066402 A1 3/2011 Dobyms  
 2013/0044112 A1 2/2013 Waldo et al.

\* cited by examiner

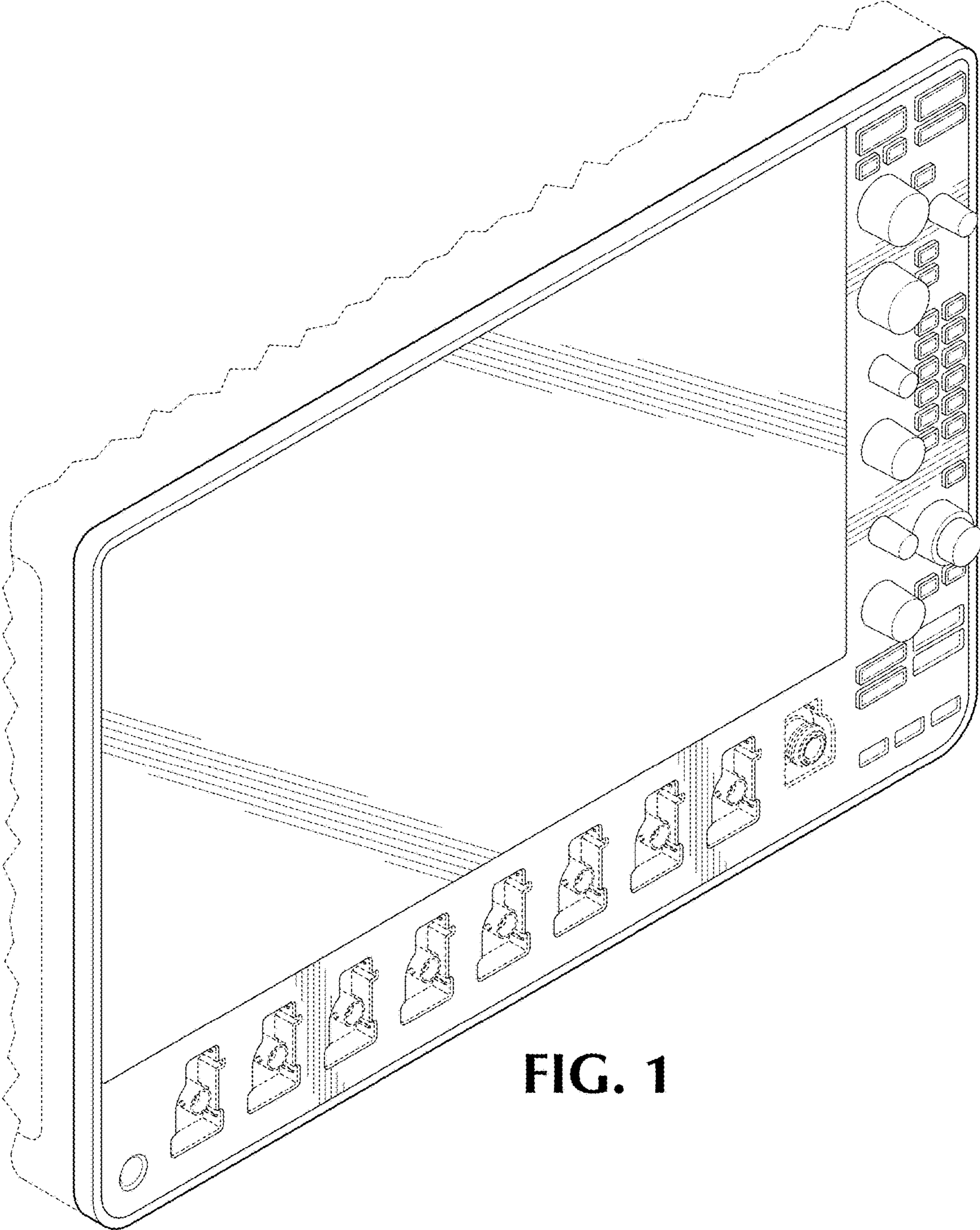


FIG. 1

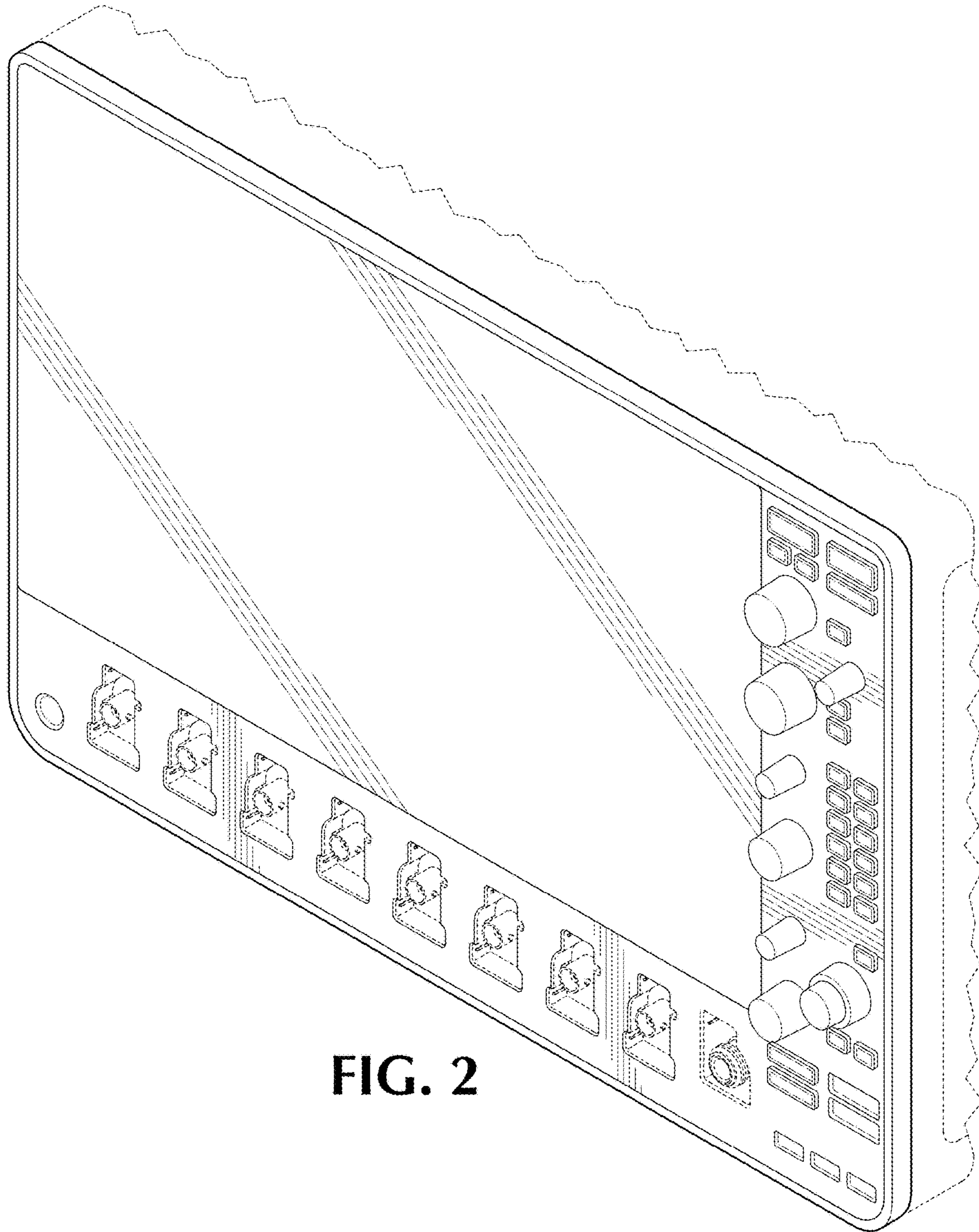
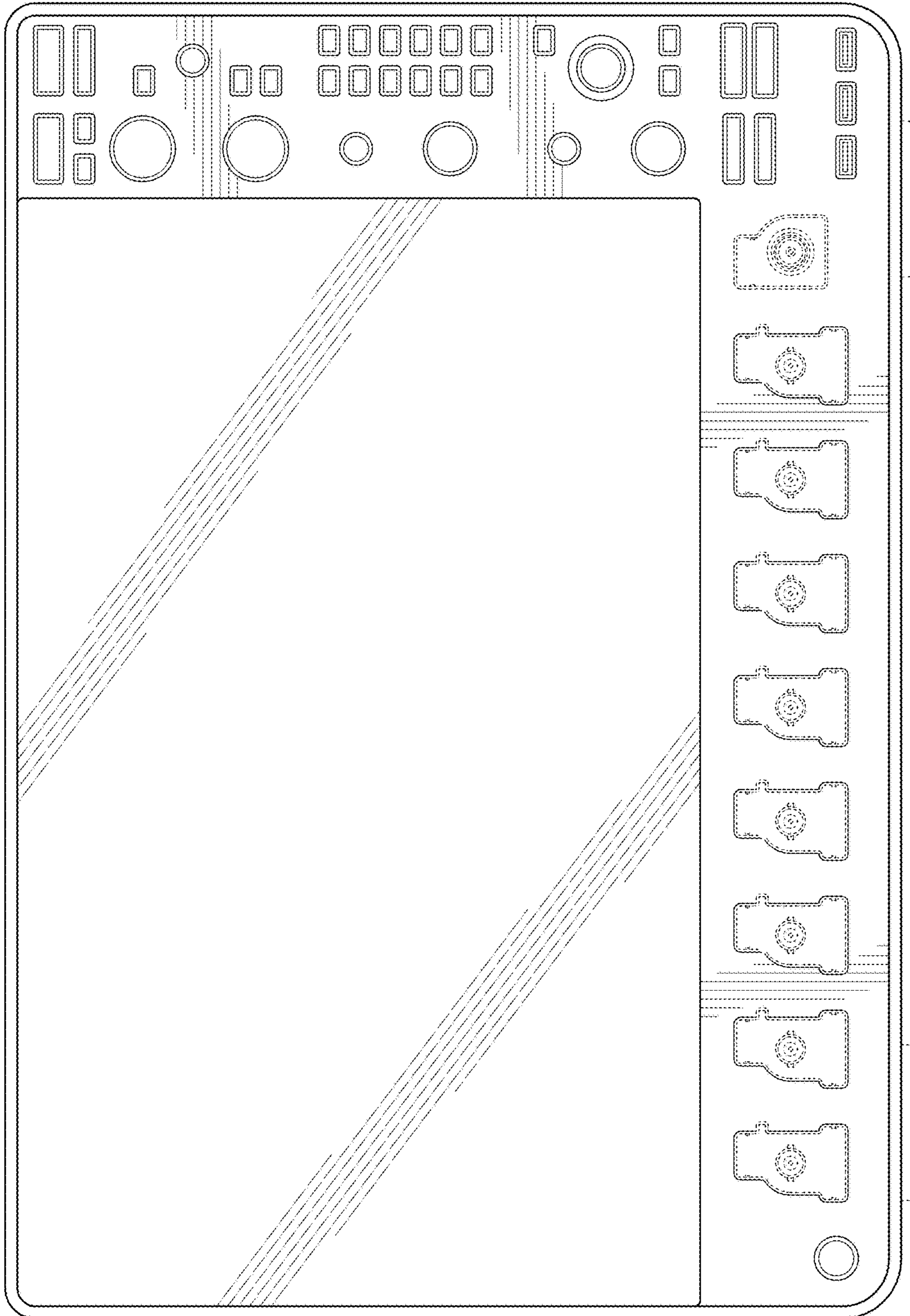


FIG. 2

FIG. 3



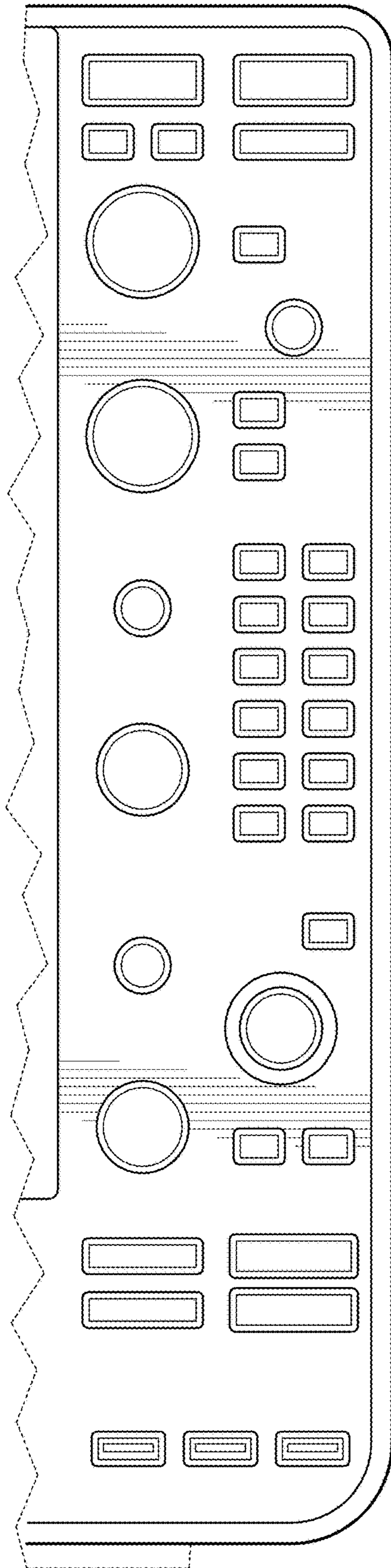
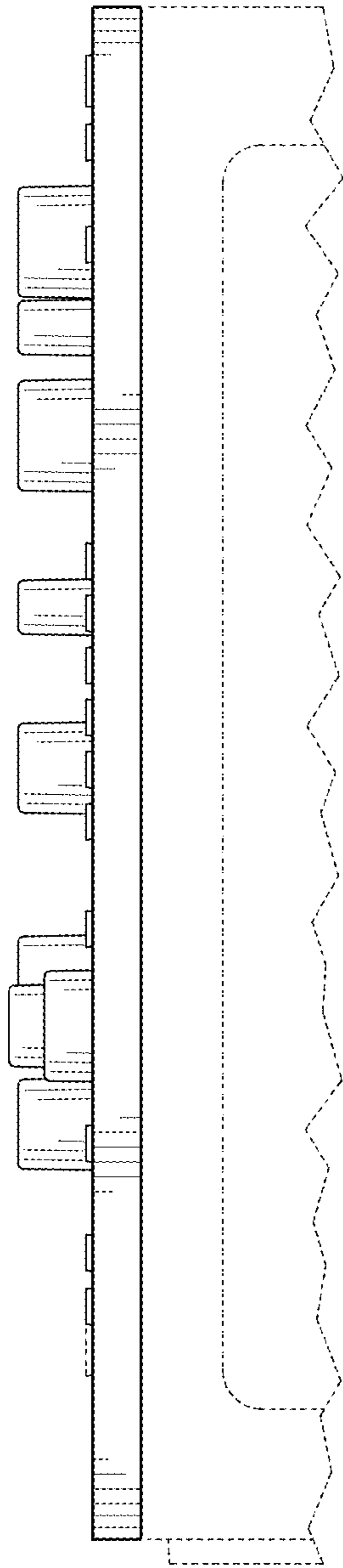
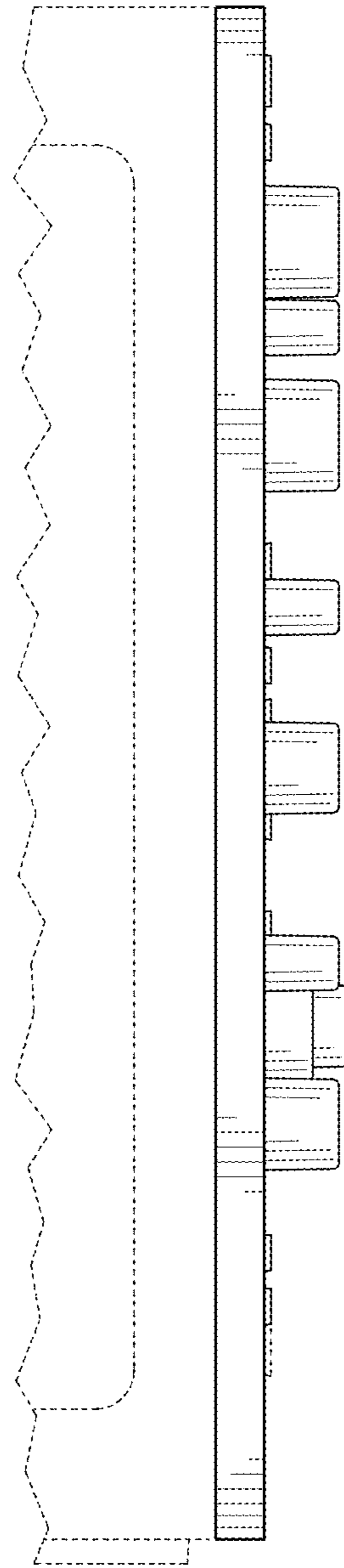


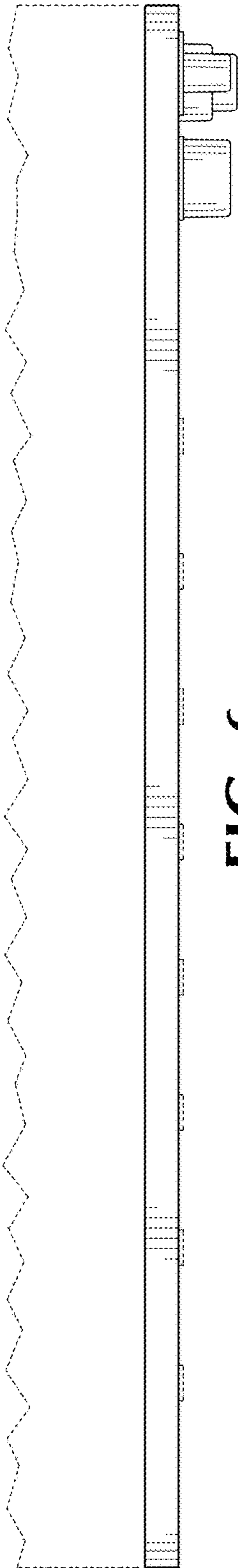
FIG. 3A



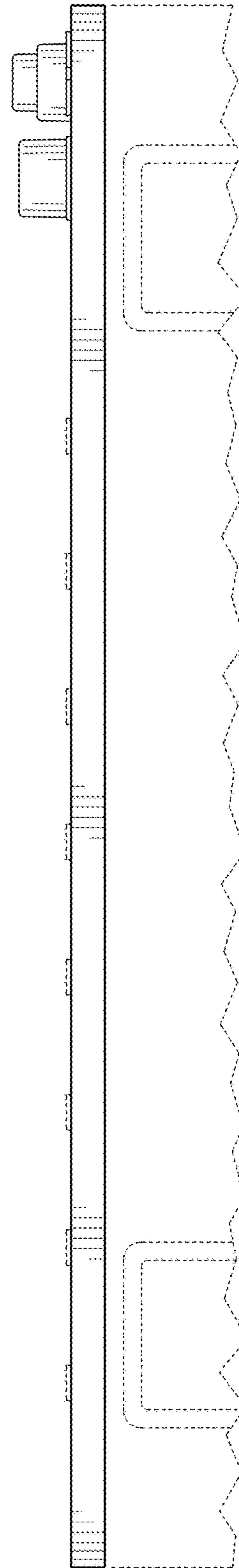
**FIG. 4**



**FIG. 5**



**FIG. 6**



**FIG. 7**