



US00D820128S

(12) **United States Design Patent**
Wong

(10) **Patent No.:** **US D820,128 S**
(45) **Date of Patent:** **** Jun. 12, 2018**

(54) **VOLTAGE TESTER**

(71) Applicant: **Kingston Wong**, Beach Park, IL (US)

(72) Inventor: **Kingston Wong**, Beach Park, IL (US)

(73) Assignee: **KLEIN TOOLS, INC.**, Lincolnshire, IL (US)

(**) Term: **15 Years**

(21) Appl. No.: **29/582,267**

(22) Filed: **Oct. 26, 2016**

(51) **LOC (11) Cl.** **10-04**

(52) **U.S. Cl.**
USPC **D10/78**

(58) **Field of Classification Search**
USPC D10/78

CPC G01R 1/02; G01R 1/025; G01R 1/06788;
G01R 1/04; G01R 1/0408; G01R 1/0416;
G01R 1/0425; G01R 1/0433; G01R
1/0441; G01R 1/045; G01R 1/0458;
G01R 1/0466; G01R 1/0475; G01R
1/0483; G01R 1/0491; G01R 1/06777;
G01R 15/16; G01R 19/14; G01R 19/155;
G01R 19/169; G01R 19/16528; G01R
19/16561; G01R 15/165; G01R 19/145;
G01R 19/15; G01R 15/12; G01R 15/125

See application file for complete search history.

(56) **References Cited**

U.S. PATENT DOCUMENTS

D353,783 S * 12/1994 Burns D10/101

D355,609 S * 2/1995 Lane D10/78

(Continued)

Primary Examiner — Antoine Duval Davis

(74) *Attorney, Agent, or Firm* — Peter D. Papavasiliou

(57) **CLAIM**

The ornamental design for a voltage tester, as shown and described.

DESCRIPTION

FIG. 1 is a top left front side perspective view of a voltage tester having the inventive design;

FIG. 2 is a bottom right front side perspective view of the voltage tester shown in FIG. 1;

FIG. 3 is a front orthogonal view of the voltage tester shown in FIG. 1;

FIG. 4 is a rear orthogonal view of the voltage tester shown in FIG. 1;

FIG. 5 is a left side orthogonal view of the voltage tester shown in FIG. 1;

FIG. 6 is a right side orthogonal view of the voltage tester shown in FIG. 1;

FIG. 7 is a bottom orthogonal view of the voltage tester shown in FIG. 1;

FIG. 8 is a top orthogonal view of the voltage tester shown in FIG. 1;

FIG. 9 is a top left front side perspective view of a voltage tester having the inventive design;

FIG. 10 is a bottom right front side perspective view of the voltage tester shown in FIG. 9;

FIG. 11 is a front orthogonal view of the voltage tester shown in FIG. 9;

FIG. 12 is a rear orthogonal view of the voltage tester shown in FIG. 9;

FIG. 13 is a left side orthogonal view of the voltage tester shown in FIG. 9;

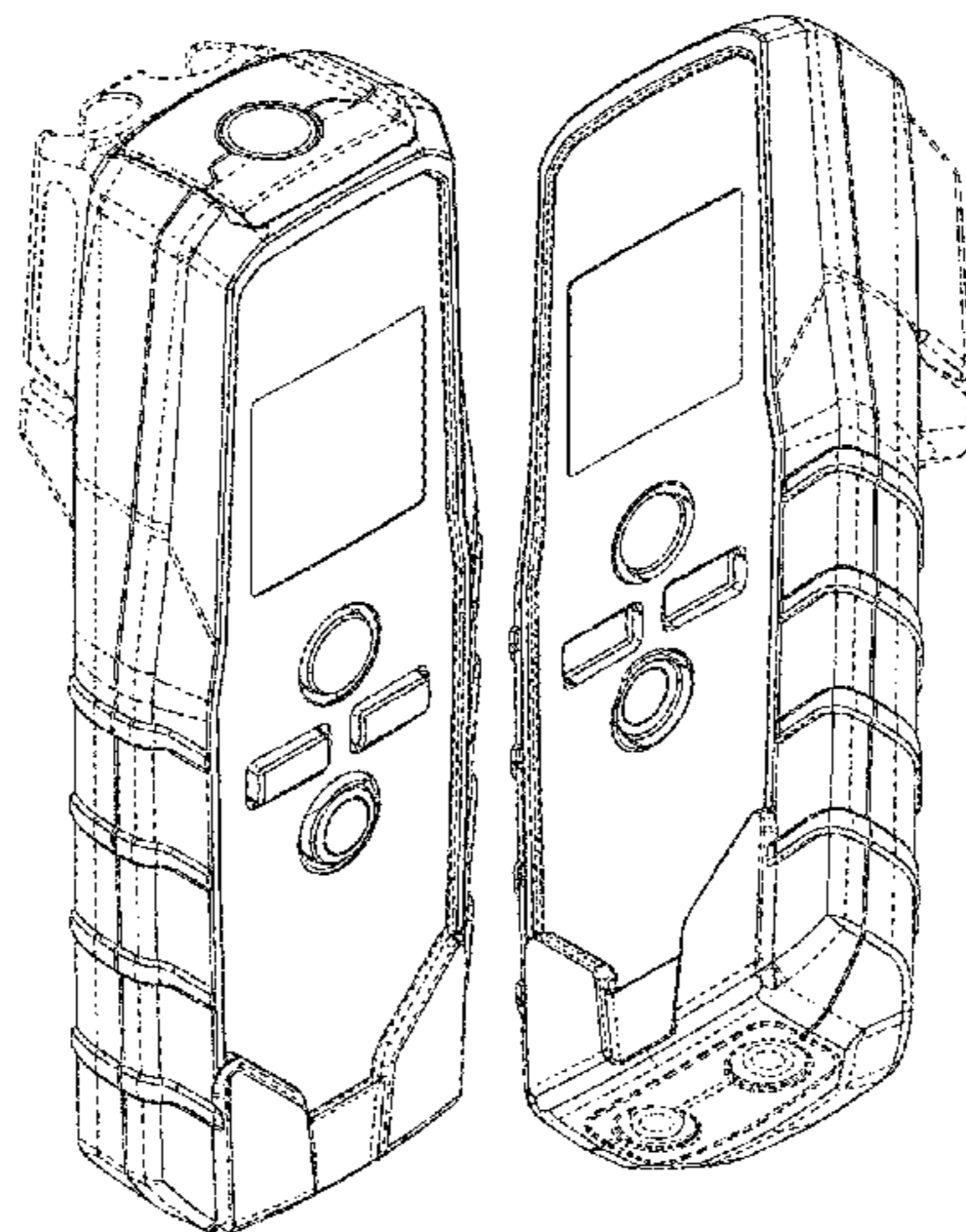
FIG. 14 is a right side orthogonal view of the voltage tester shown in FIG. 9;

FIG. 15 is a bottom orthogonal view of the voltage tester shown in FIG. 9; and,

FIG. 16 is a top orthogonal view of the voltage tester shown in FIG. 9.

The broken lines in the drawings are for illustrative purposes only and form no part of the claimed design. The shading lines in the drawings show contour and are not intended to indicate surface orientation.

1 Claim, 8 Drawing Sheets



(56)

References Cited

U.S. PATENT DOCUMENTS

5,482,285 A * 1/1996 Yabuki A63B 37/0003
473/373
D413,824 S * 9/1999 Luebke D10/78
7,990,162 B2 * 8/2011 Eng, Jr. G01R 27/08
324/114
8,374,507 B2 * 2/2013 Hudson G08C 17/02
398/115
D738,762 S * 9/2015 Payne D10/78
9,121,870 B2 * 9/2015 Nguyen G01R 1/203
D748,510 S * 2/2016 Zhou D10/78
9,541,581 B2 * 1/2017 Ringsrud G01R 15/202

* cited by examiner

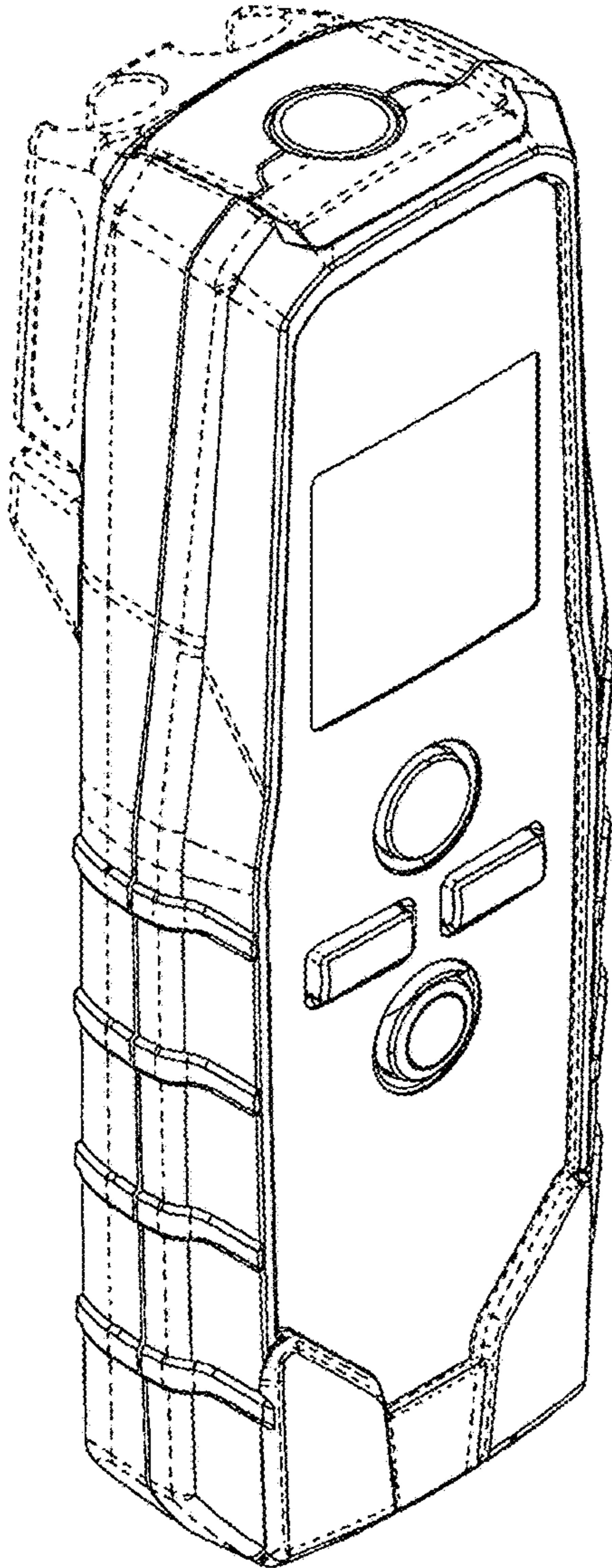


FIG. 1

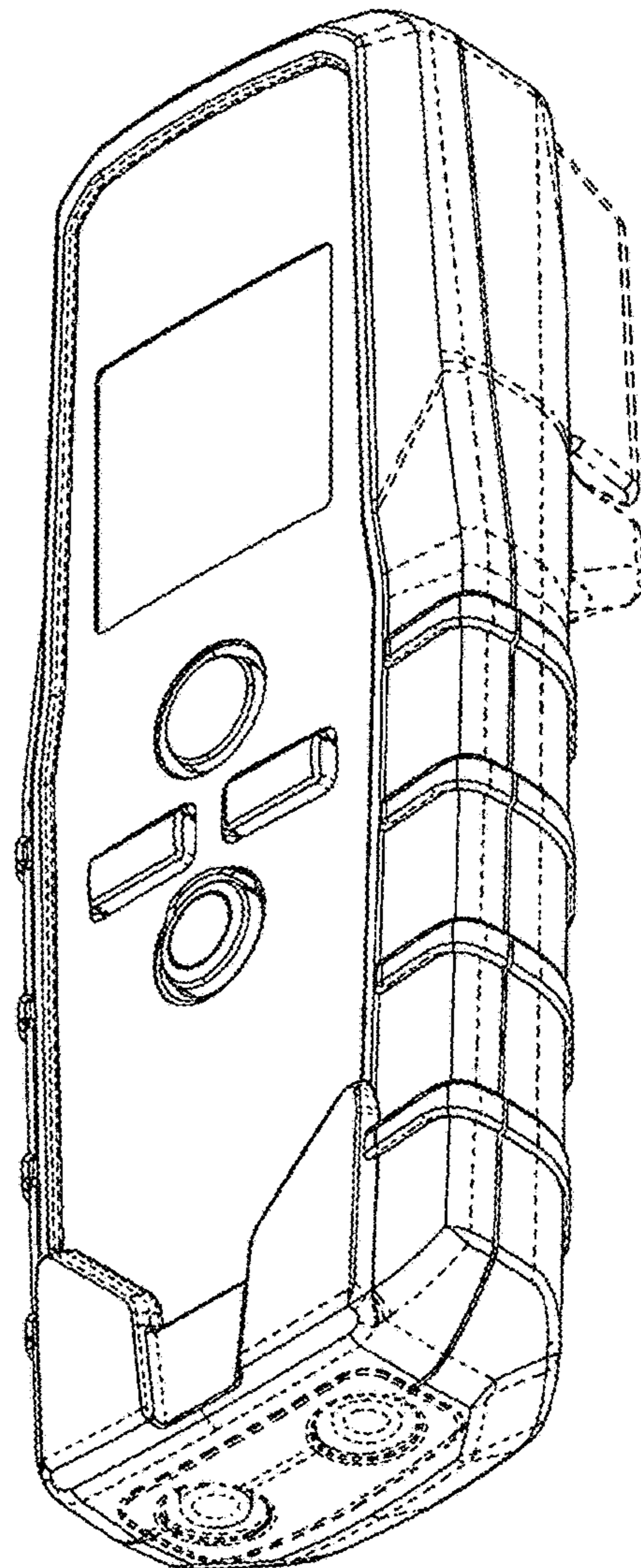


FIG. 2

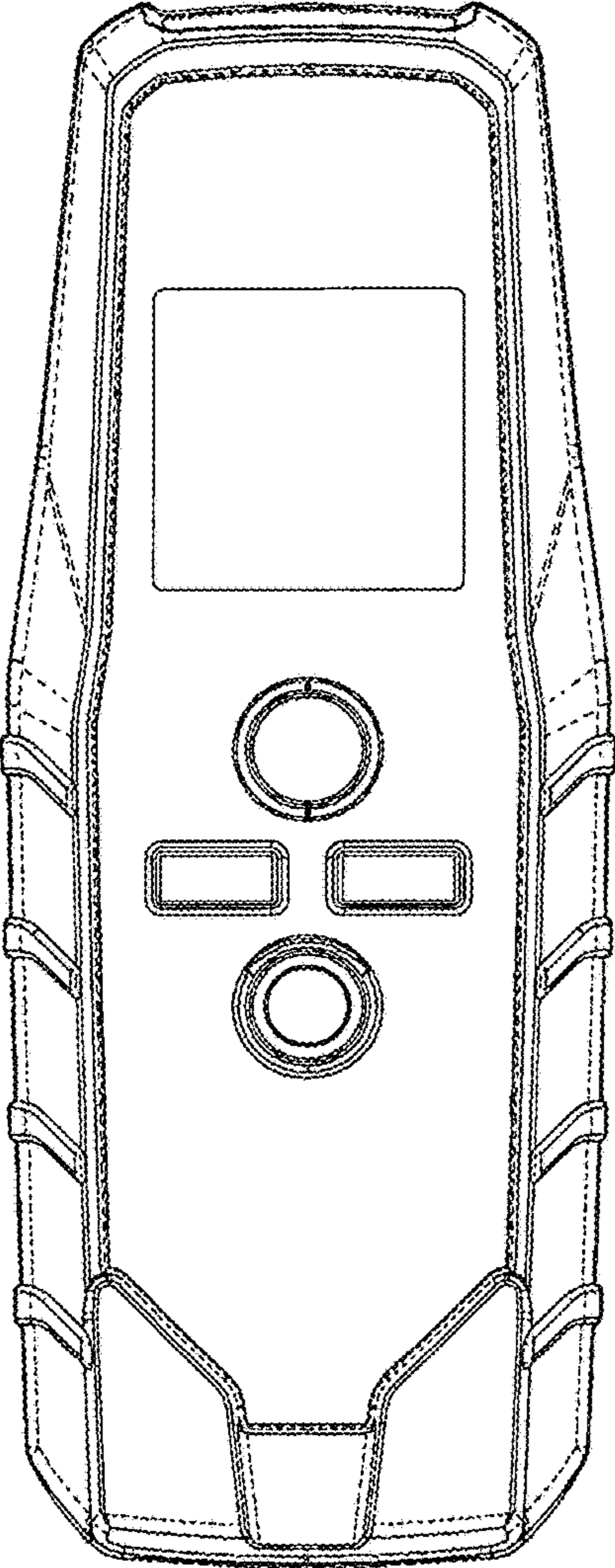


FIG. 3

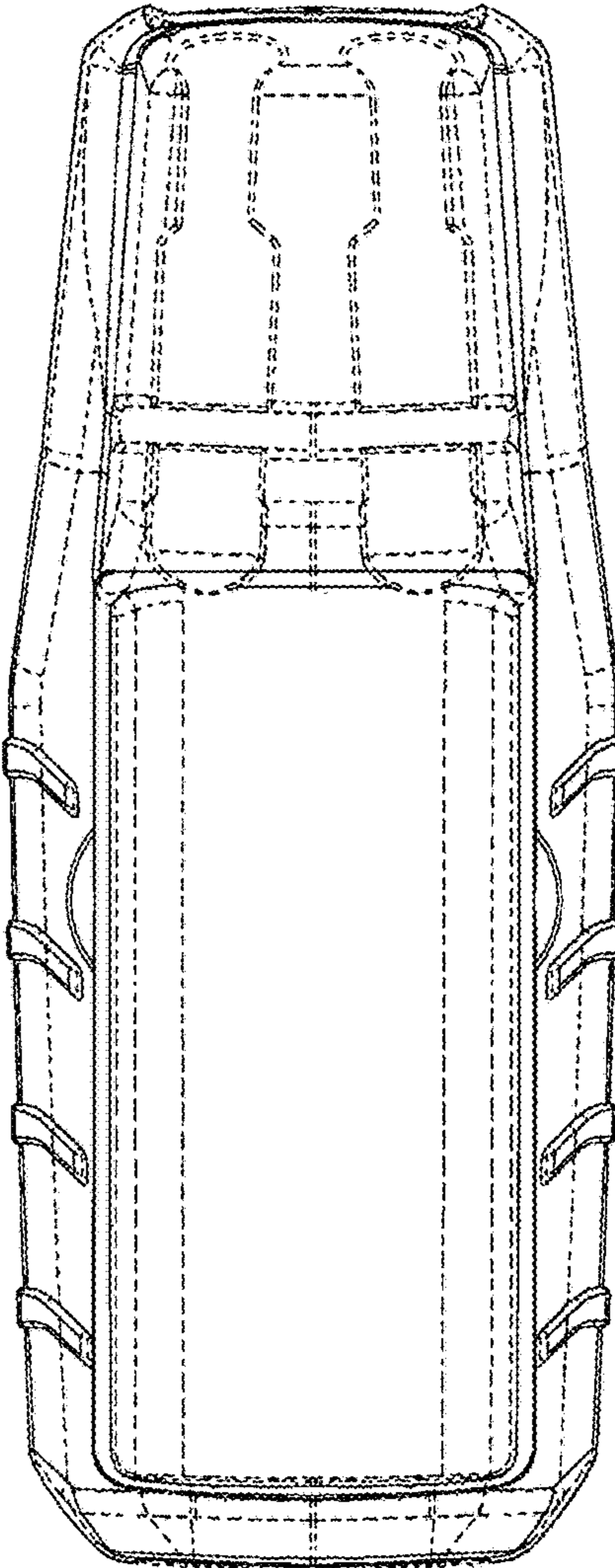


FIG. 4

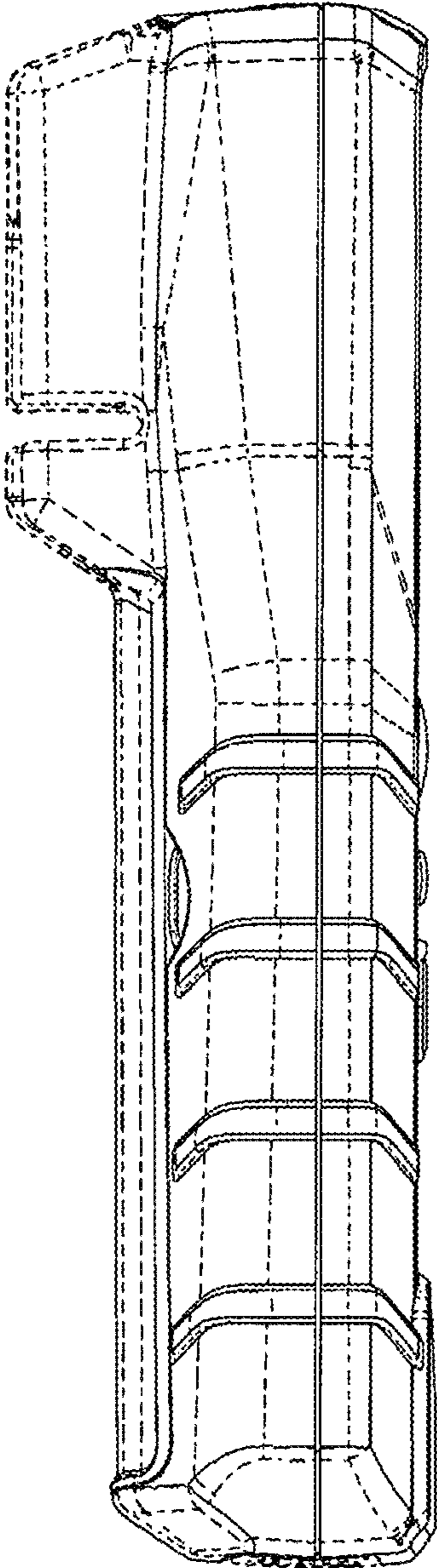


FIG. 5

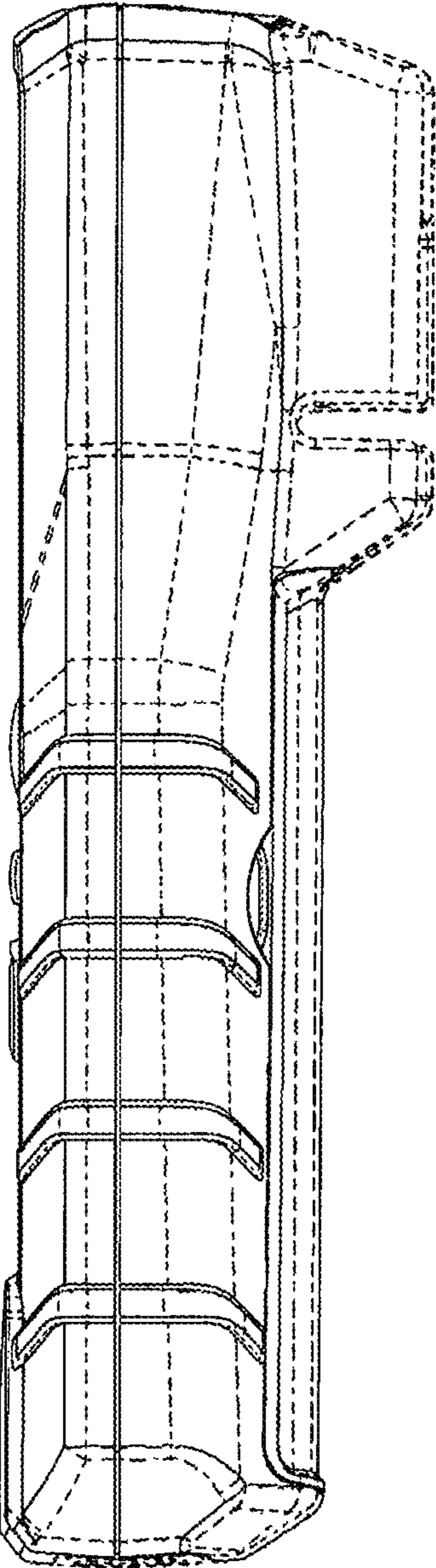


FIG. 6

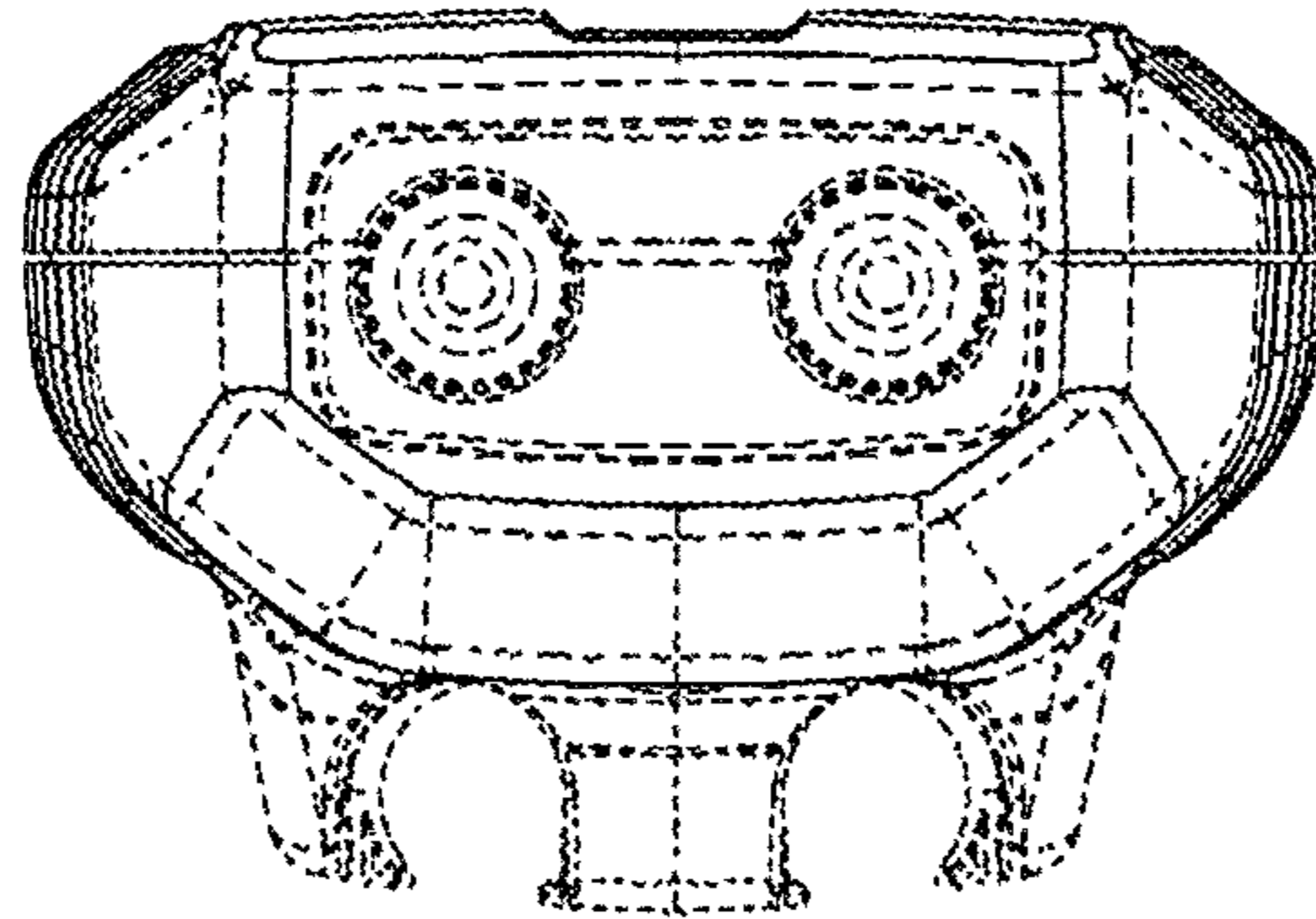


FIG. 7

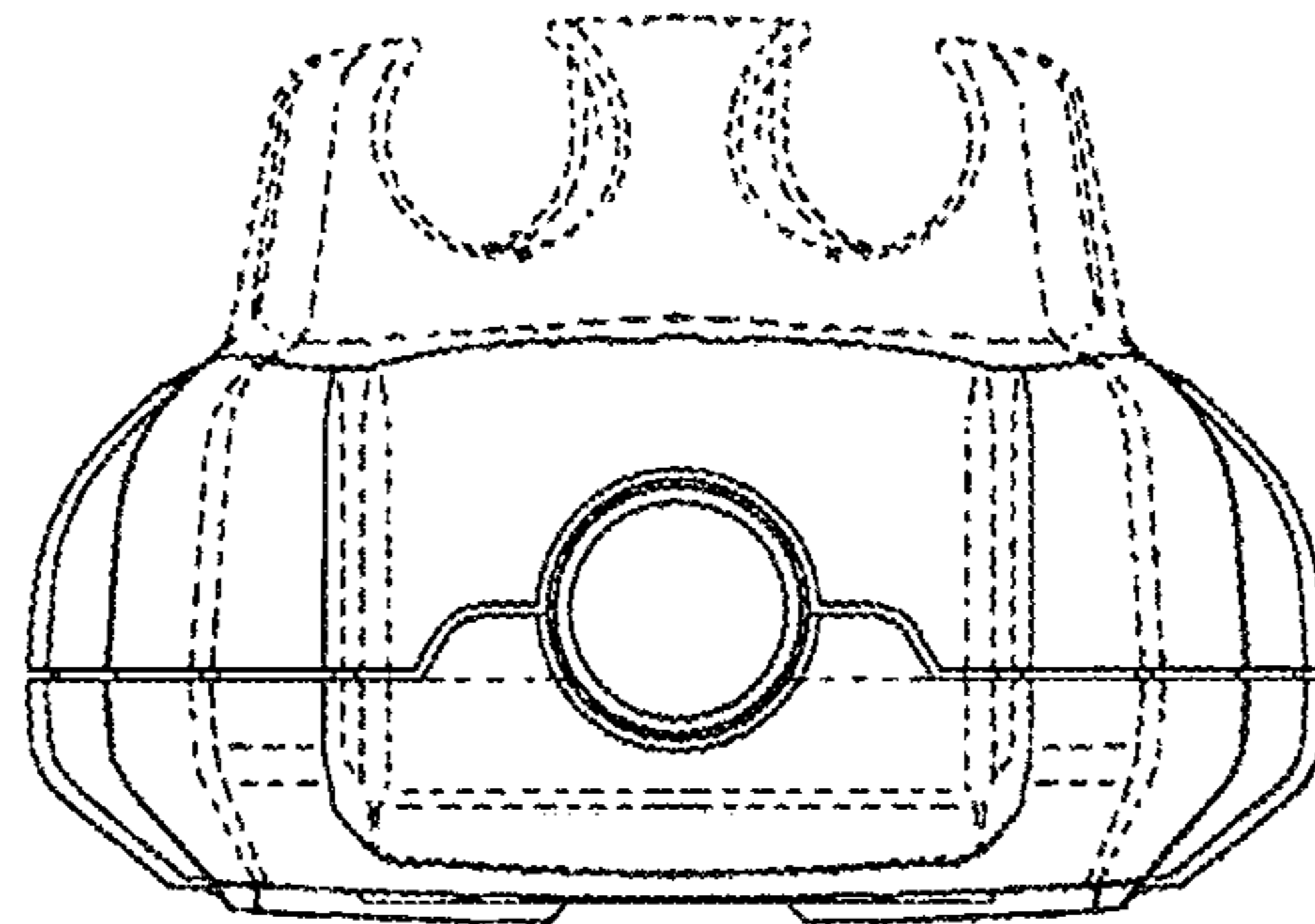


FIG. 8

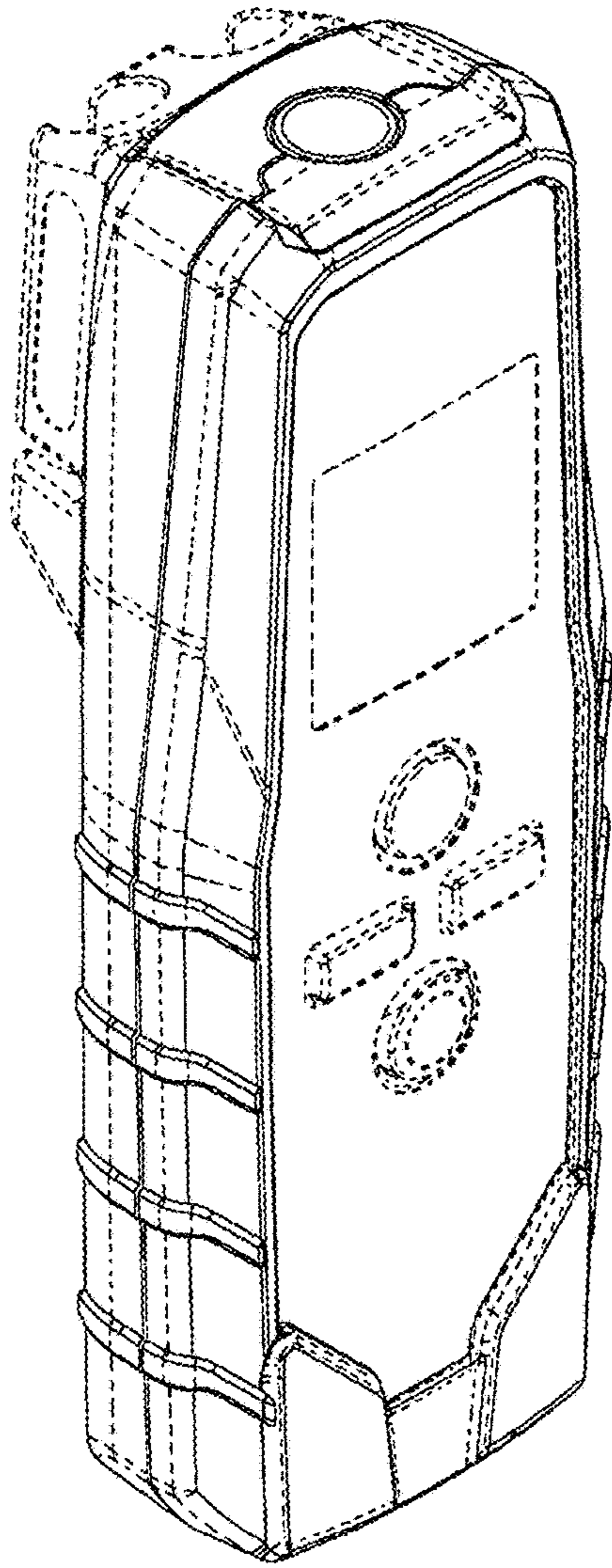


FIG. 9

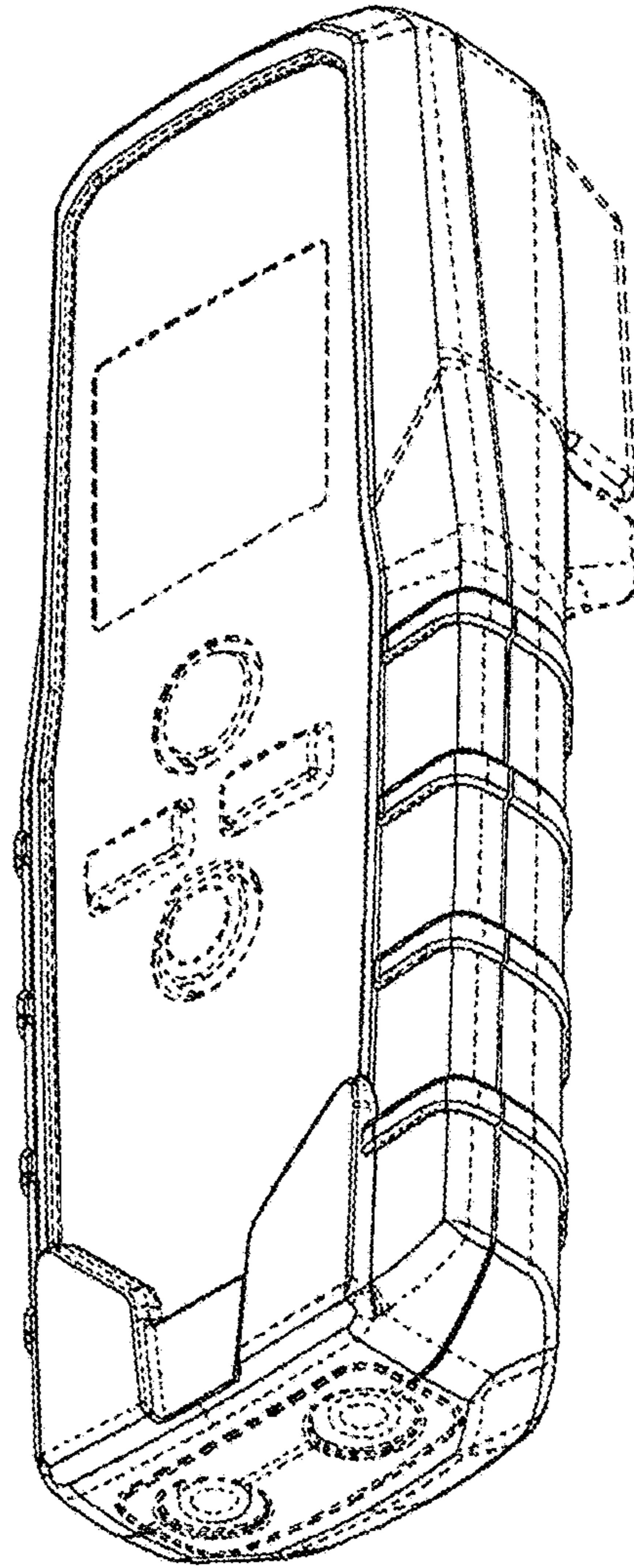


FIG. 10

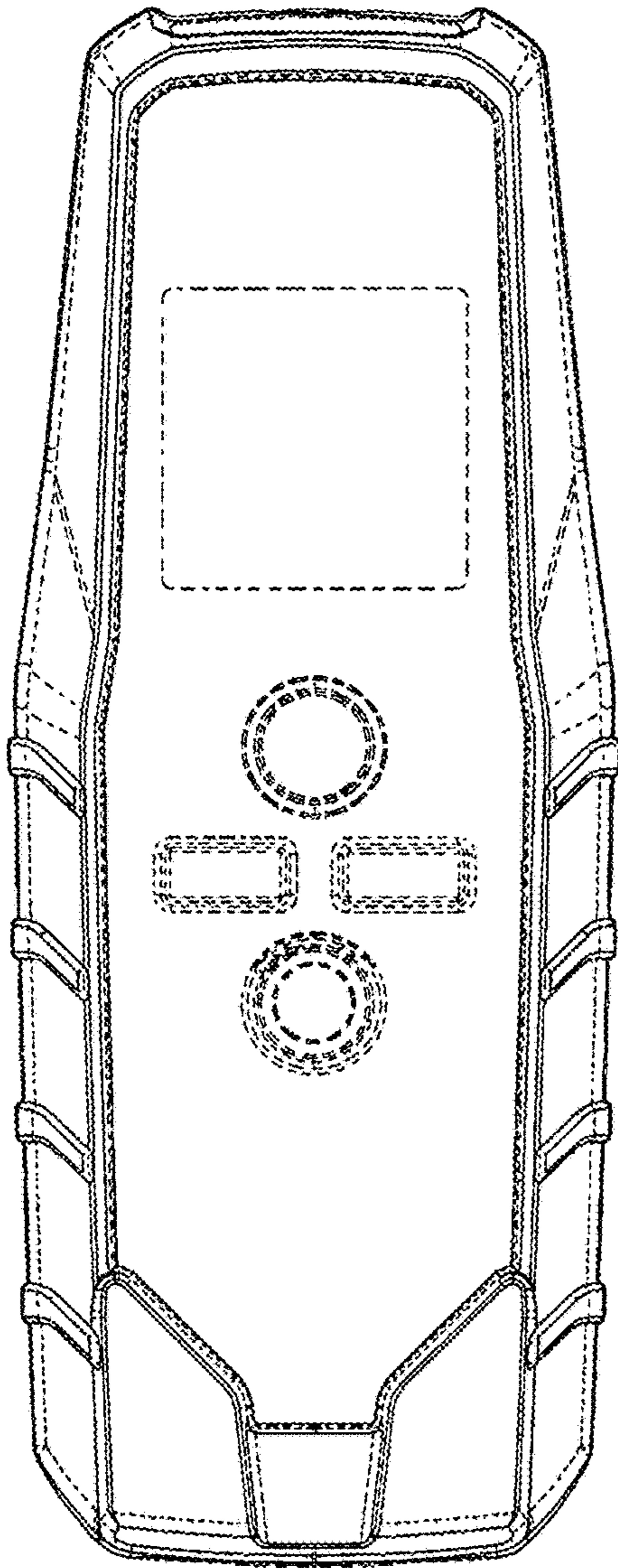


FIG. 11

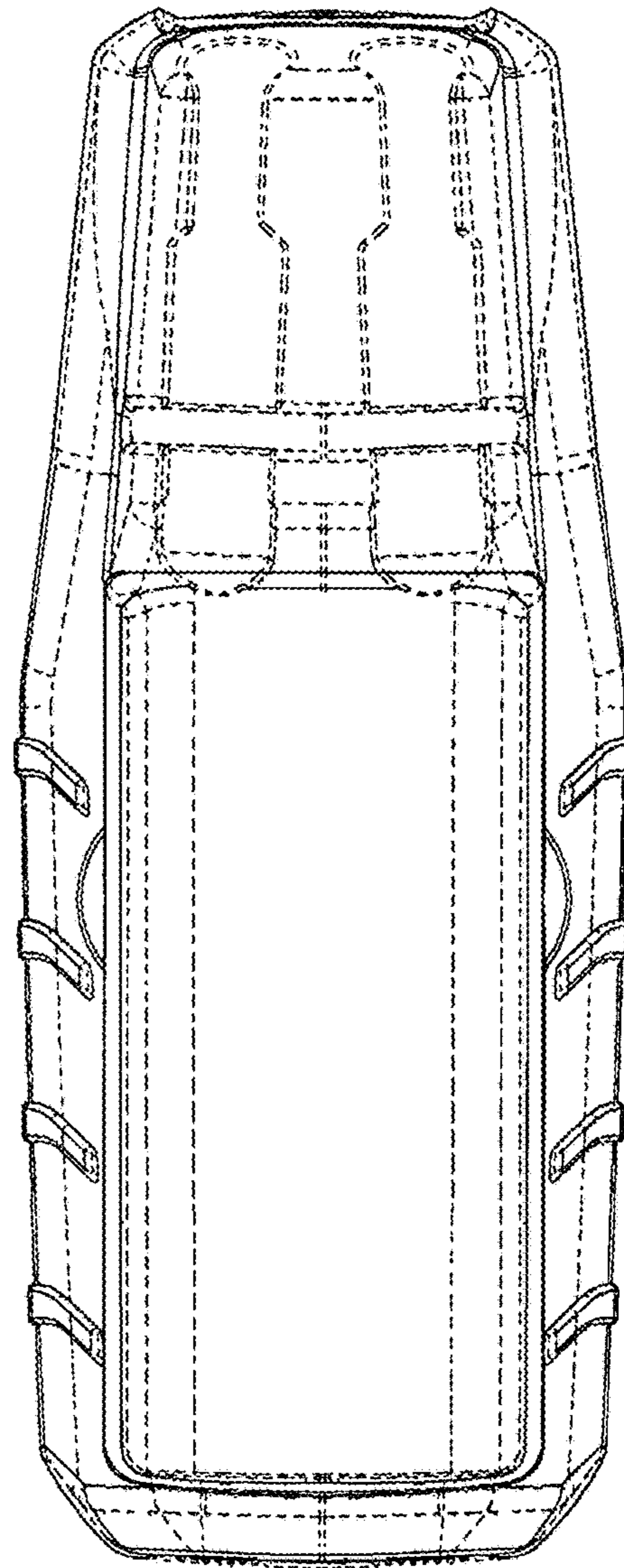


FIG. 12

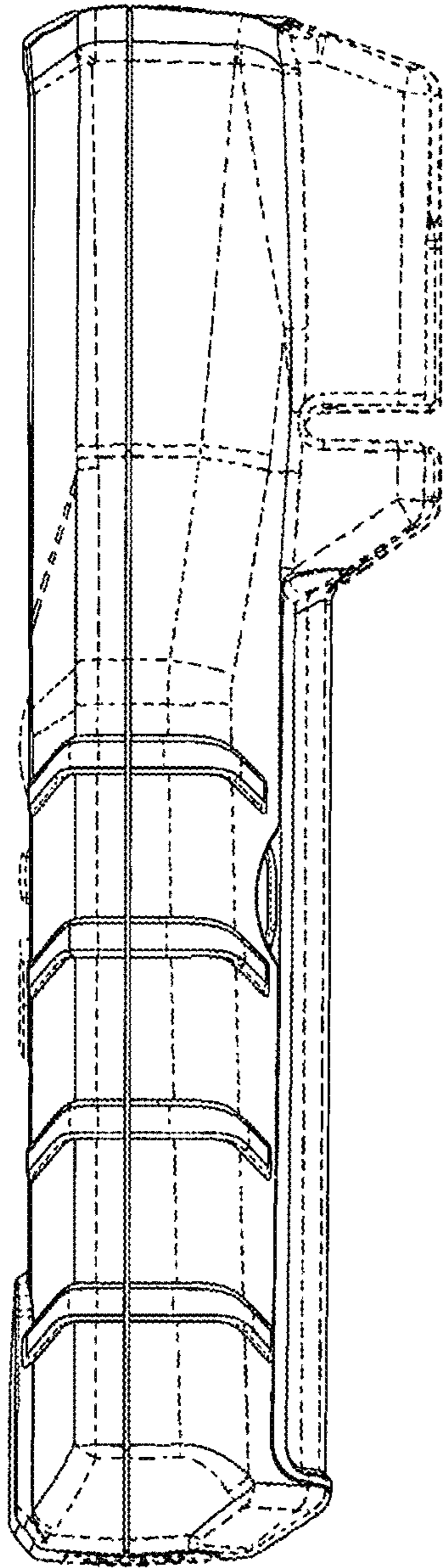


FIG. 13

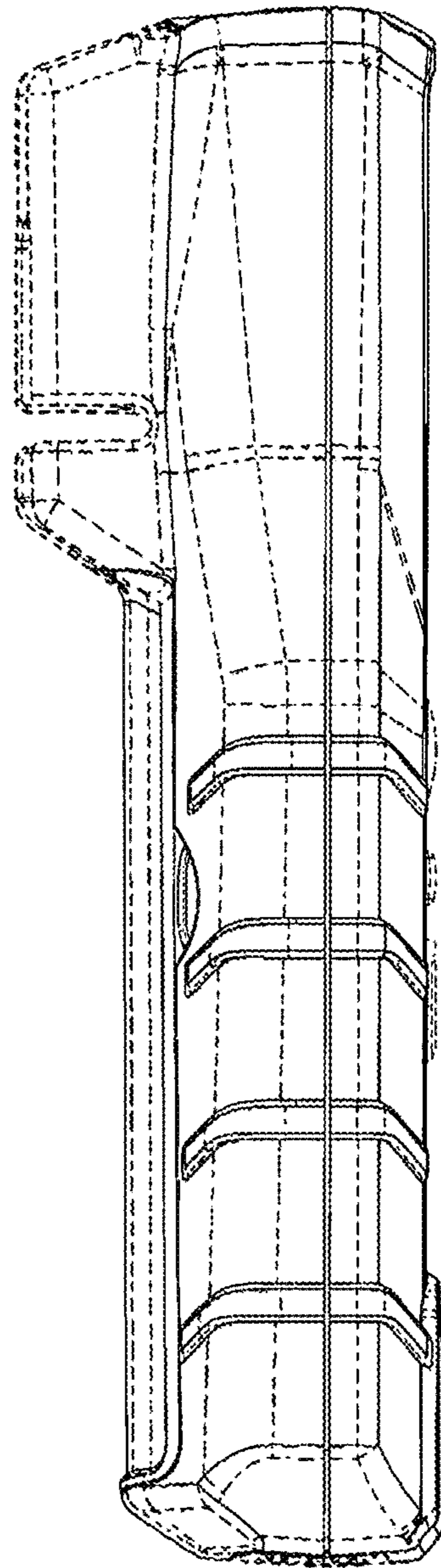


FIG. 14

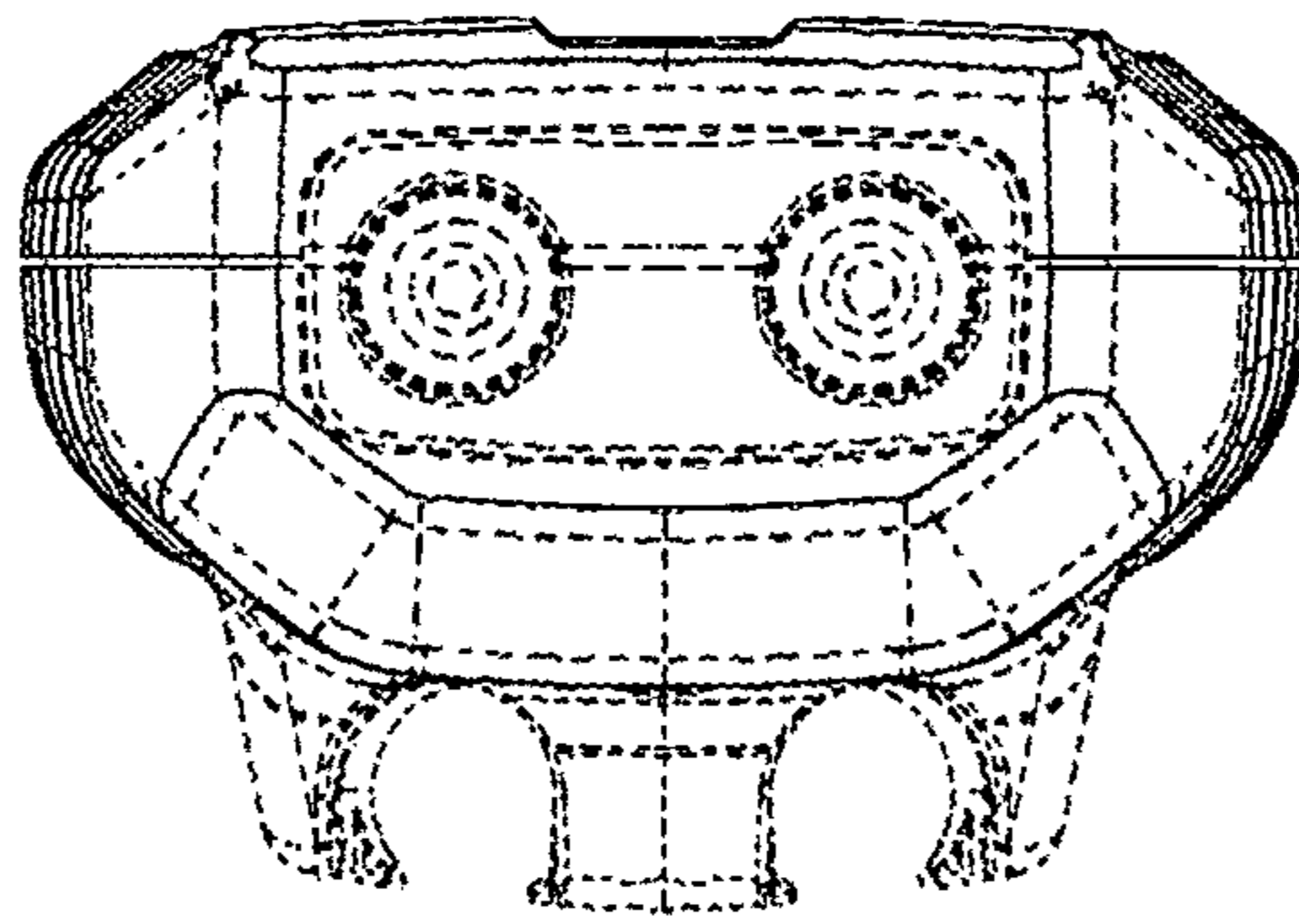


FIG. 15

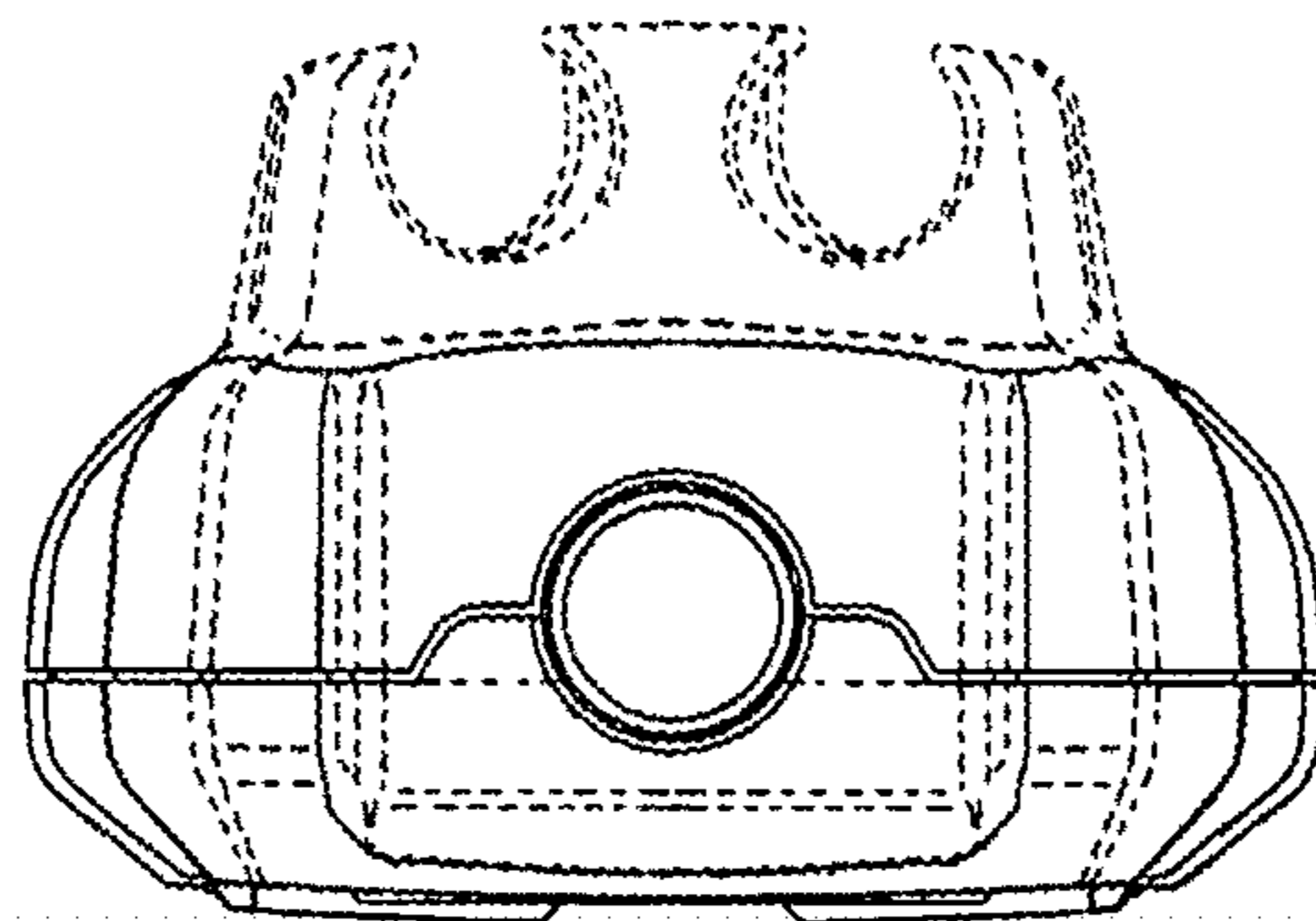


FIG. 16