



US00D820127S

(12) **United States Design Patent** (10) **Patent No.:** **US D820,127 S**
Kreitzer et al. (45) **Date of Patent:** **** Jun. 12, 2018**

(54) **HOUSING FOR A TEST AND MEASUREMENT INSTRUMENT**

(71) Applicant: **Tektronix, Inc.**, Beaverton, OR (US)

(72) Inventors: **Robert Kreitzer**, Tigard, OR (US);
Gary J. Waldo, Hillsboro, OR (US);
Mark A. Briscoe, Portland, OR (US);
Pechluck S. Laskey, Portland, OR (US);
Jared Randall, Seattle, WA (US);
Jordan P. Evans, Seattle, WA (US);
Joshua M. Kornfeld, Seattle, WA (US);
Jonah S. Griffith, Seattle, WA (US);
Phelan W. Miller, Seattle, WA (US)

(73) Assignee: **Tektronix, Inc.**, Beaverton, OR (US)

(**) Term: **15 Years**

(21) Appl. No.: **29/609,911**

(22) Filed: **Jul. 6, 2017**

Related U.S. Application Data

(63) Continuation of application No. 29/562,189, filed on Apr. 22, 2016, which is a continuation of application (Continued)

(51) **LOC (11) Cl.** **10-04**

(52) **U.S. Cl.**
USPC **D10/76**

(58) **Field of Classification Search**
USPC **D10/76**
(Continued)

(56) **References Cited**

U.S. PATENT DOCUMENTS

5,003,248 A 3/1991 Johnson
5,247,287 A 9/1993 Jonker et al.
(Continued)

OTHER PUBLICATIONS

Non-Final Office Action for U.S. Appl. No. 29/509,914, dated Jul. 23, 2015, 19 pages.

Primary Examiner — Antoine Duval Davis
(74) *Attorney, Agent, or Firm* — Marger Johnson; Andrew J. Harrington

(57) **CLAIM**

The ornamental design for a housing for a test and measurement instrument, as shown and described.

DESCRIPTION

FIG. 1 is a front left perspective view of a test and measurement instrument incorporating the ornamental design of a housing for a test and measurement instrument, with feet retracted.

FIG. 2 is a front right perspective view of the housing for a test and measurement instrument of FIG. 1.

FIG. 3 is a rear right perspective view of the housing for a test and measurement instrument of FIG. 1.

FIG. 4 is a rear left perspective view of the housing for a test and measurement instrument of FIG. 1.

FIG. 5 is a front elevation view of the housing for a test and measurement instrument of FIG. 1.

FIG. 6 is a rear elevation view of the housing for a test and measurement instrument of FIG. 1.

FIG. 7 is a right-side elevation of the housing for a test and measurement instrument of FIG. 1.

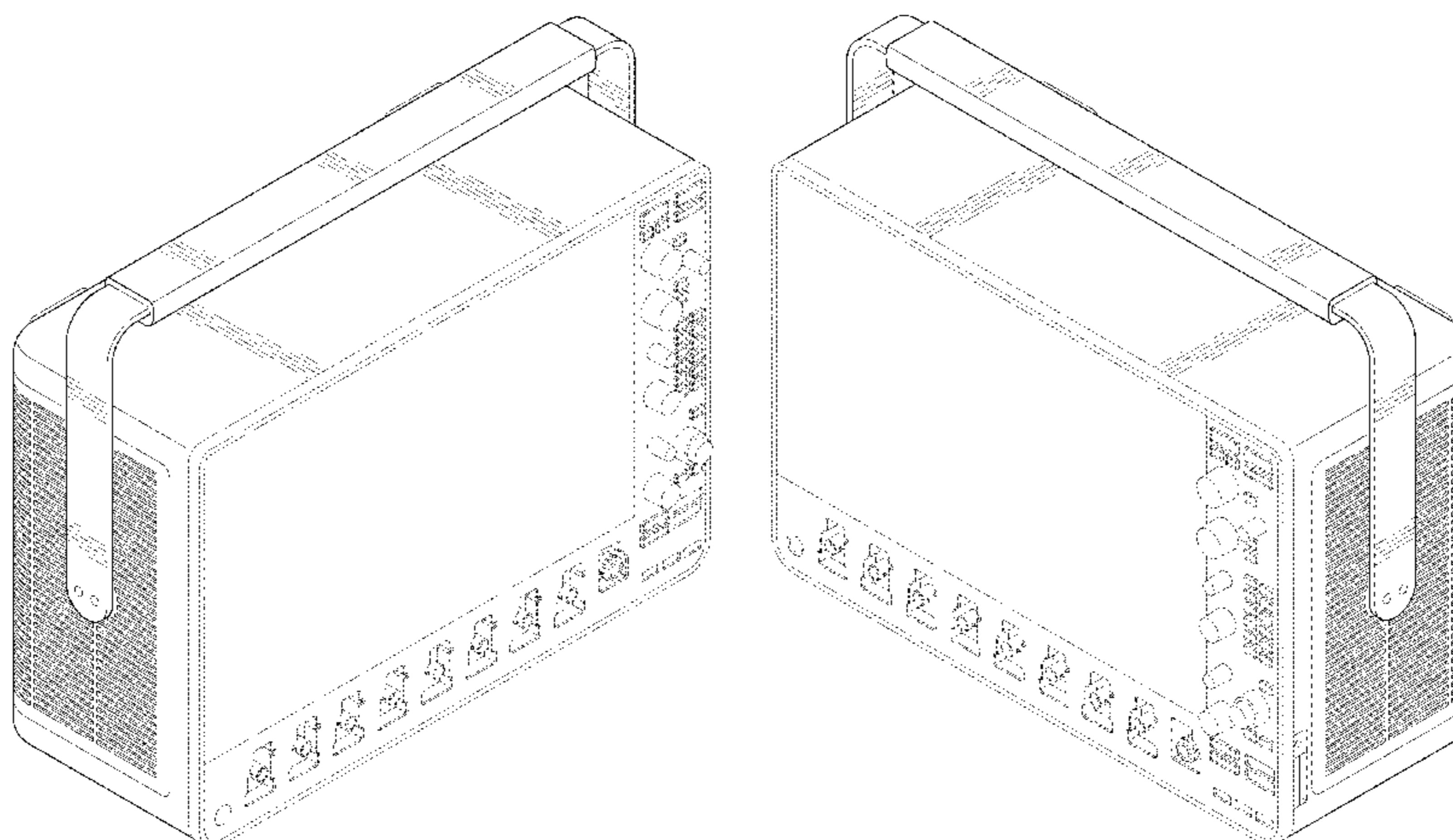
FIG. 8 is a left-side elevation of the housing for a test and measurement instrument of FIG. 1.

FIG. 9 is a top plan view of the housing for a test and measurement instrument of FIG. 1.

FIG. 10 is a bottom plan view of the housing for a test and measurement instrument of FIG. 1; and,

FIG. 11 is a front right perspective view of the housing for a test and measurement instrument of FIG. 1, with feet extended.

(Continued)



The portions of the housing for a test and measurement instrument shown in broken lines form no part of the claimed design.

1 Claim, 11 Drawing Sheets

Related U.S. Application Data

No. 29/509,914, filed on Nov. 21, 2014, now abandoned.

(58) **Field of Classification Search**

CPC G01R 13/20; G01R 13/202; G01R 13/405; G01R 13/208; G01R 13/204; G01R 13/206; G01R 13/22; G01R 13/225; G01R 13/24; G01R 13/2245; G01R 13/26; G01R 13/28; G01R 13/30; G01R 13/305; G01R 13/32; G01R 13/325; G01R 13/34; G01R 13/347; G01R 13/342; G01R 13/345; G01R 13/36; G01R 13/38; G01R 13/40; G01R 13/401; G01R 13/402; G01R 13/403; G01R 13/404; G01R 13/406; G01R 13/407; G01R 13/408; G01R 13/42; G01R 31/316; G01R 31/3161; G01R 31/3163; G01R 31/3137

See application file for complete search history.

(56)

References Cited

U.S. PATENT DOCUMENTS

D377,319 S	1/1997	Amano et al.	
D423,383 S	4/2000	Fernandez et al.	
6,178,359 B1	1/2001	Dobyns	
6,218,824 B1	4/2001	Oldstead et al.	
6,437,552 B1	8/2002	Sekel et al.	
D472,171 S	3/2003	Wrisley et al.	
6,720,776 B2	4/2004	Anderson et al.	
D500,694 S	1/2005	Wrisley et al.	
D501,414 S	2/2005	Graef et al.	
D556,066 S	11/2007	Hoang et al.	
7,847,792 B2	12/2010	Ketterer et al.	
D643,841 S	8/2011	Lyford et al.	
D649,971 S	12/2011	Lyford et al.	
8,195,413 B2 *	6/2012	Freidhof	G01R 13/345 324/76.11
D663,636 S	7/2012	Dobyns et al.	
D682,787 S	5/2013	Lyford et al.	
D689,428 S	9/2013	Kiwaki et al.	
D689,437 S	9/2013	Lyford et al.	
D697,480 S	1/2014	Lyford et al.	
D721,036 S	1/2015	Kreitzer	
D721,606 S	1/2015	Mayr	
D747,987 S	1/2016	Ohtani	
D763,713 S	8/2016	Martel	
2008/0192071 A1	8/2008	Herring et al.	
2008/0278143 A1	11/2008	Cox et al.	
2011/0066402 A1	3/2011	Dobyns	
2013/0044112 A1	2/2013	Waldo et al.	

* cited by examiner

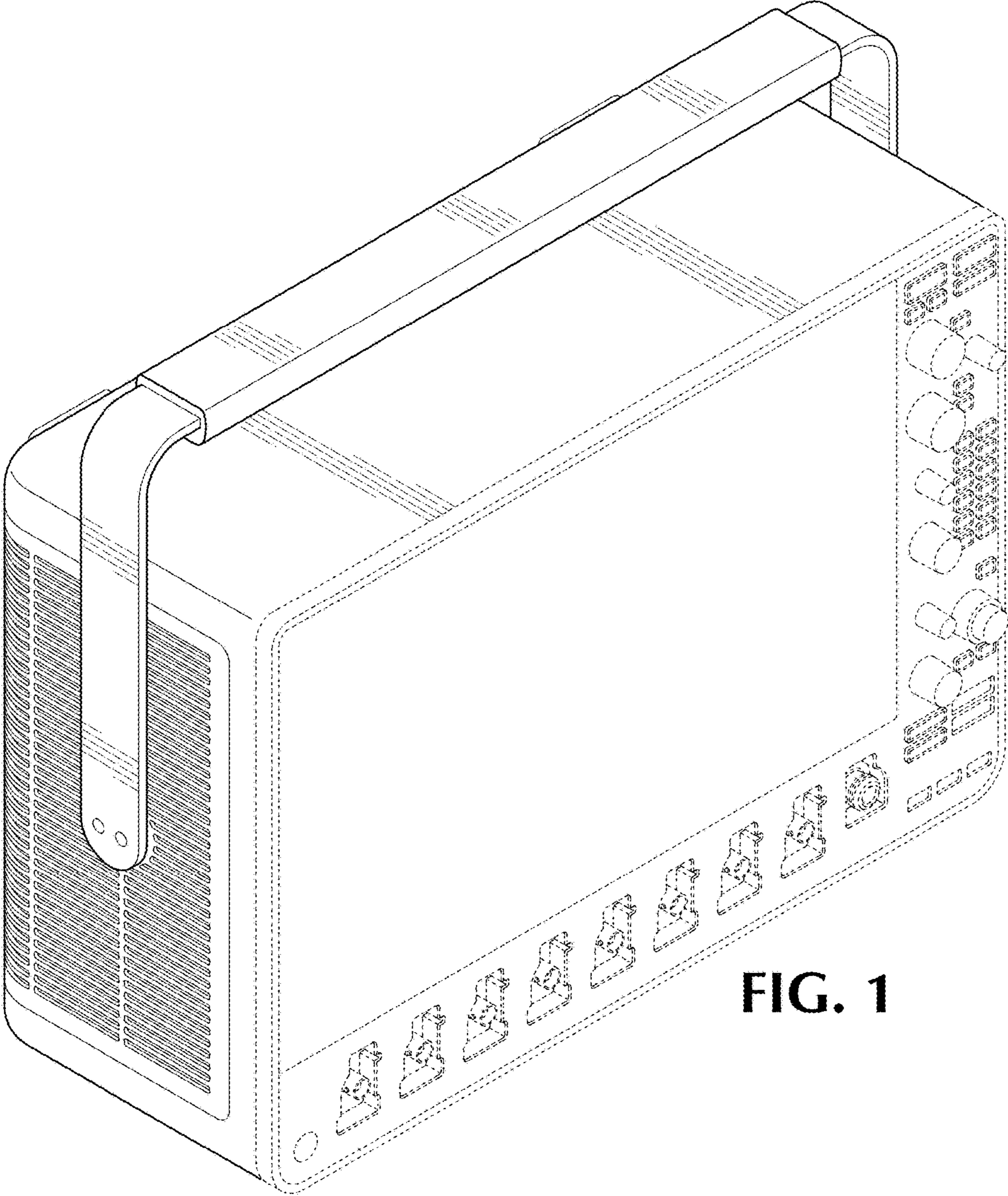


FIG. 1

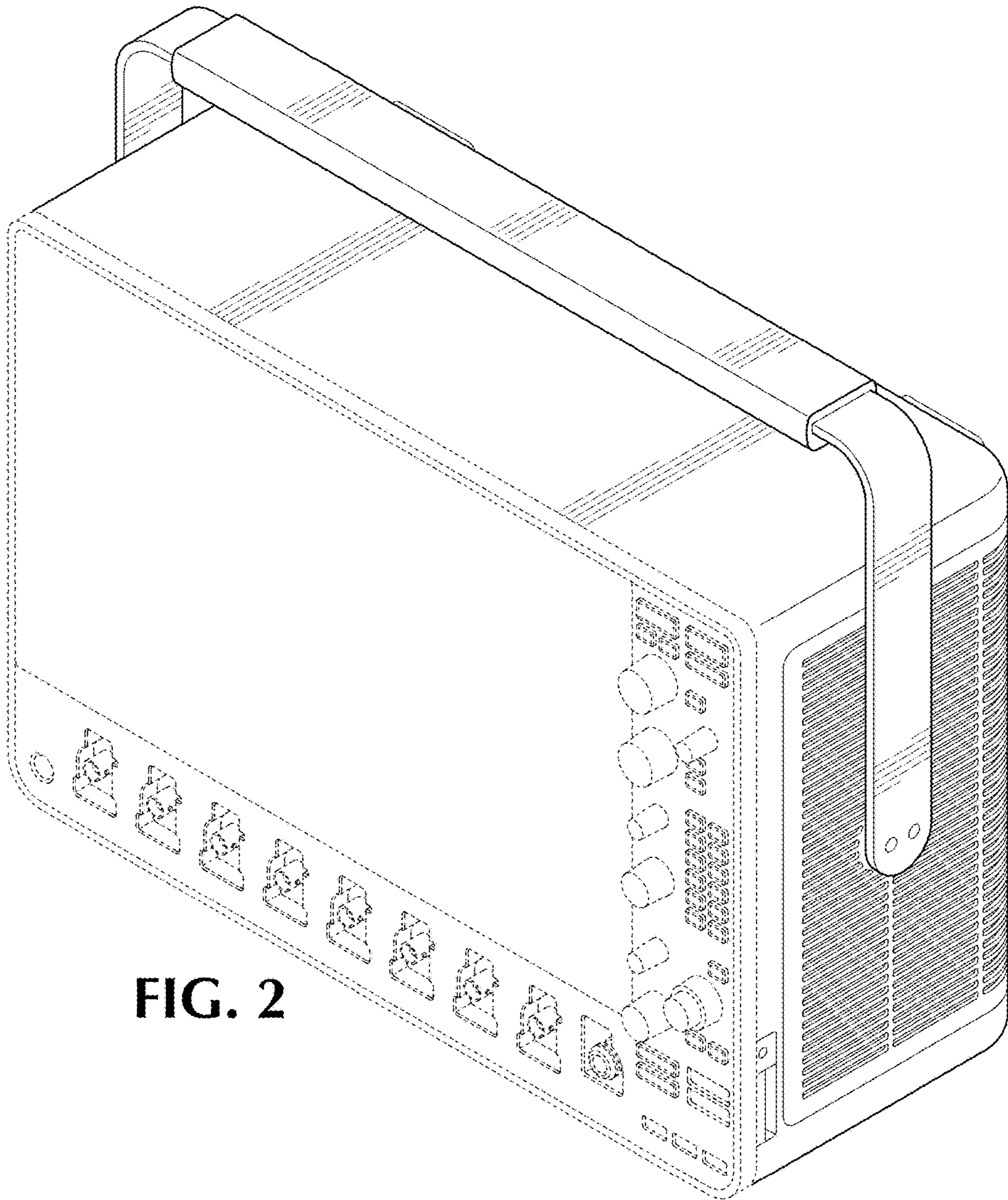


FIG. 2

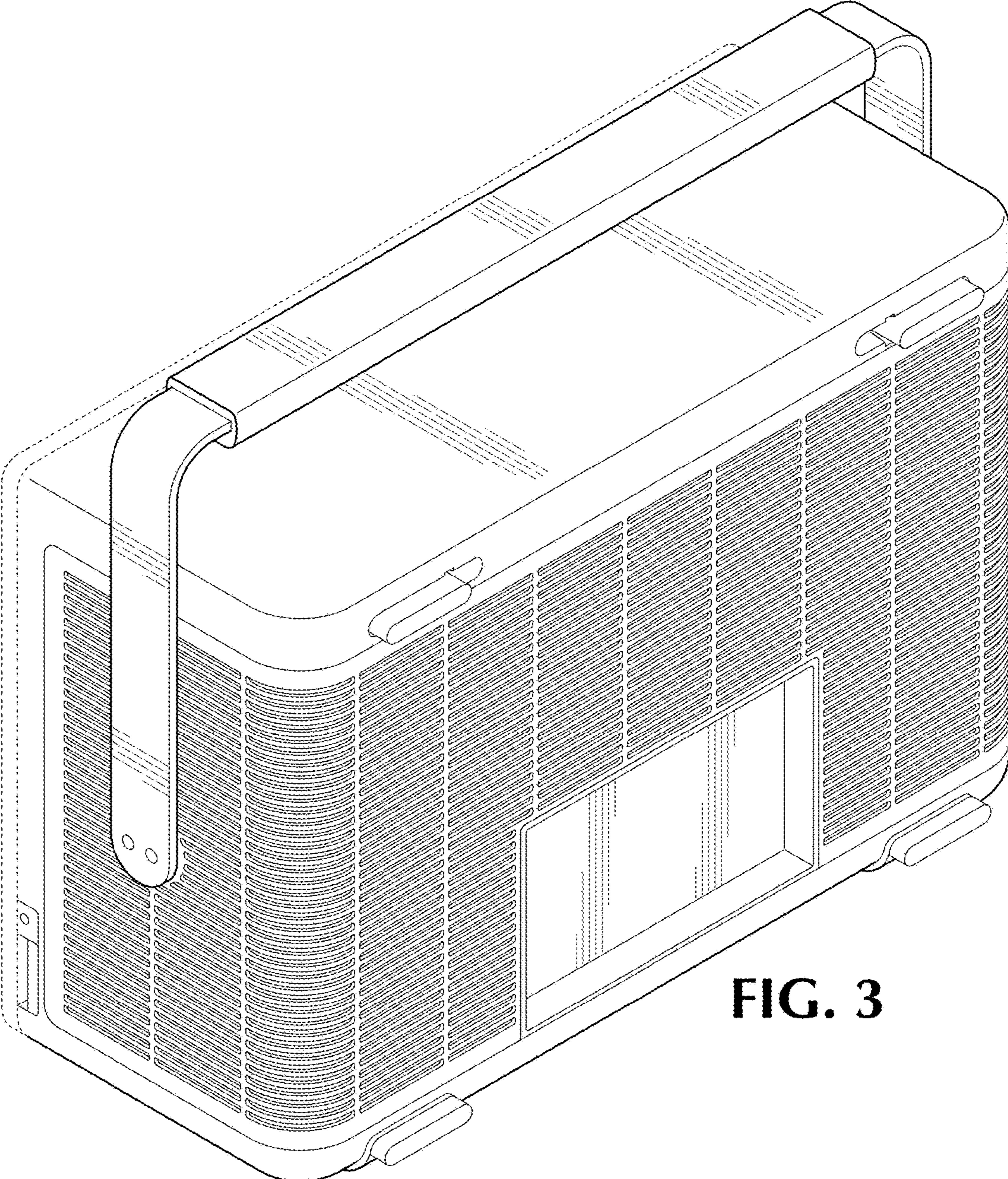


FIG. 3

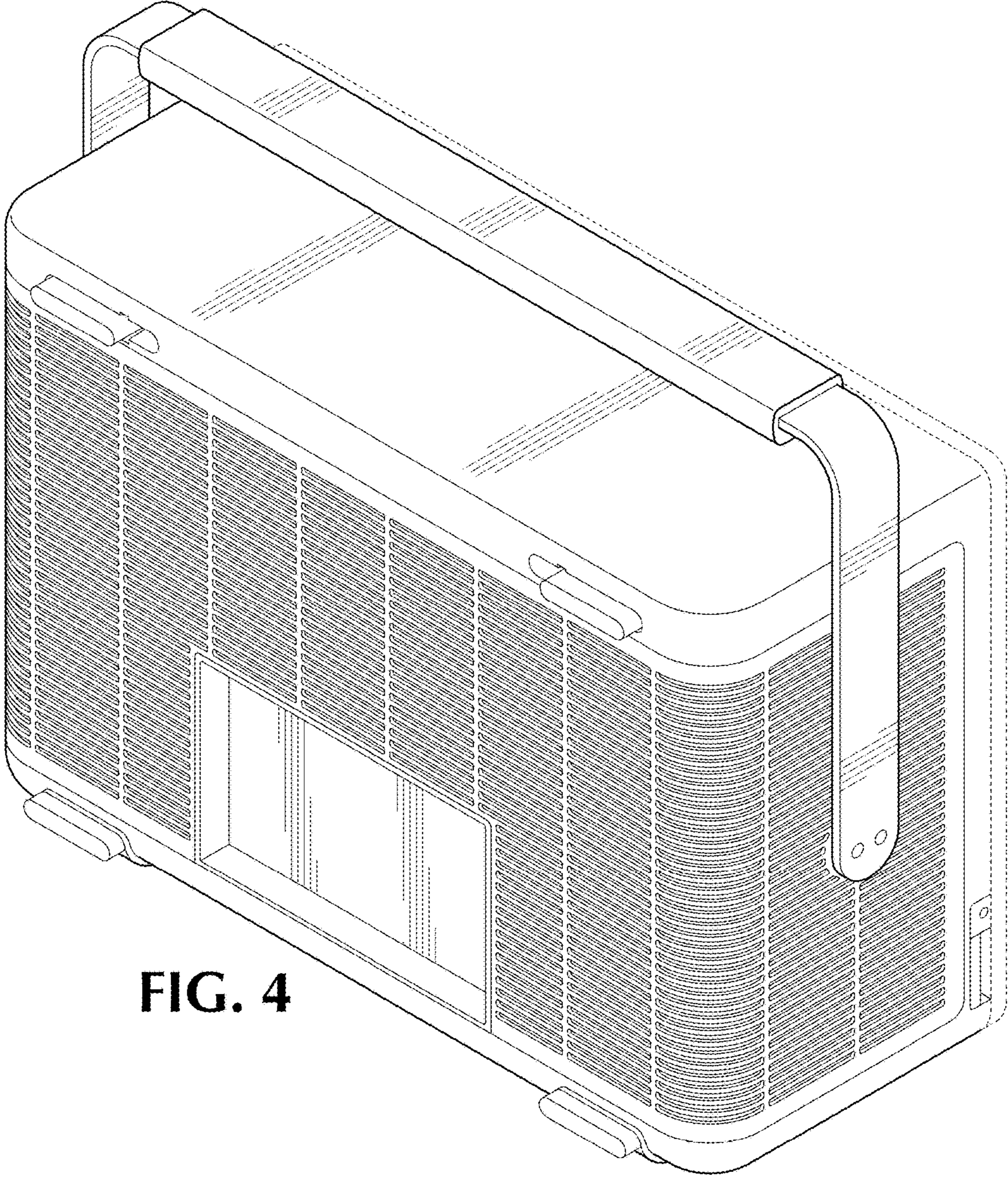


FIG. 4

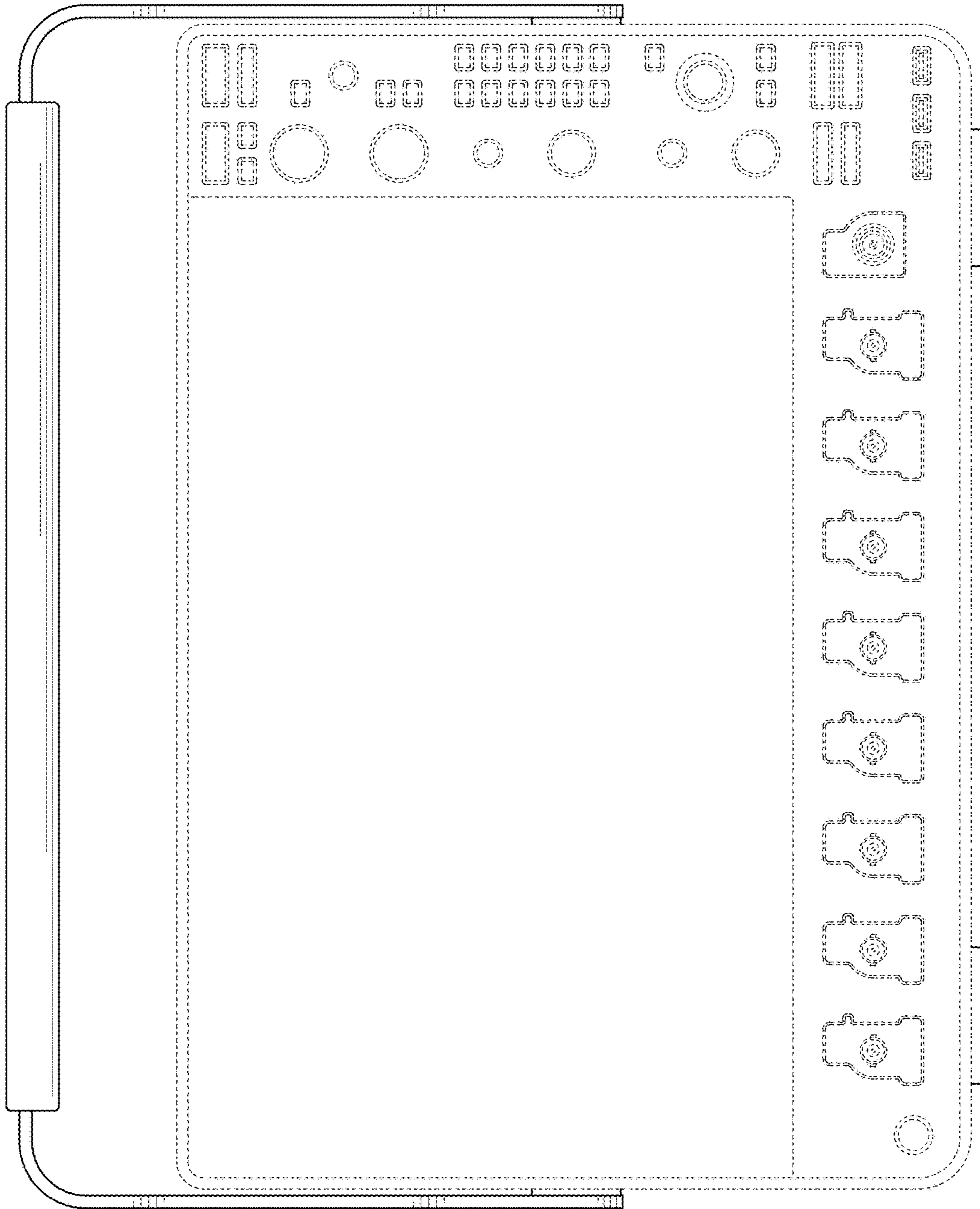


FIG. 5

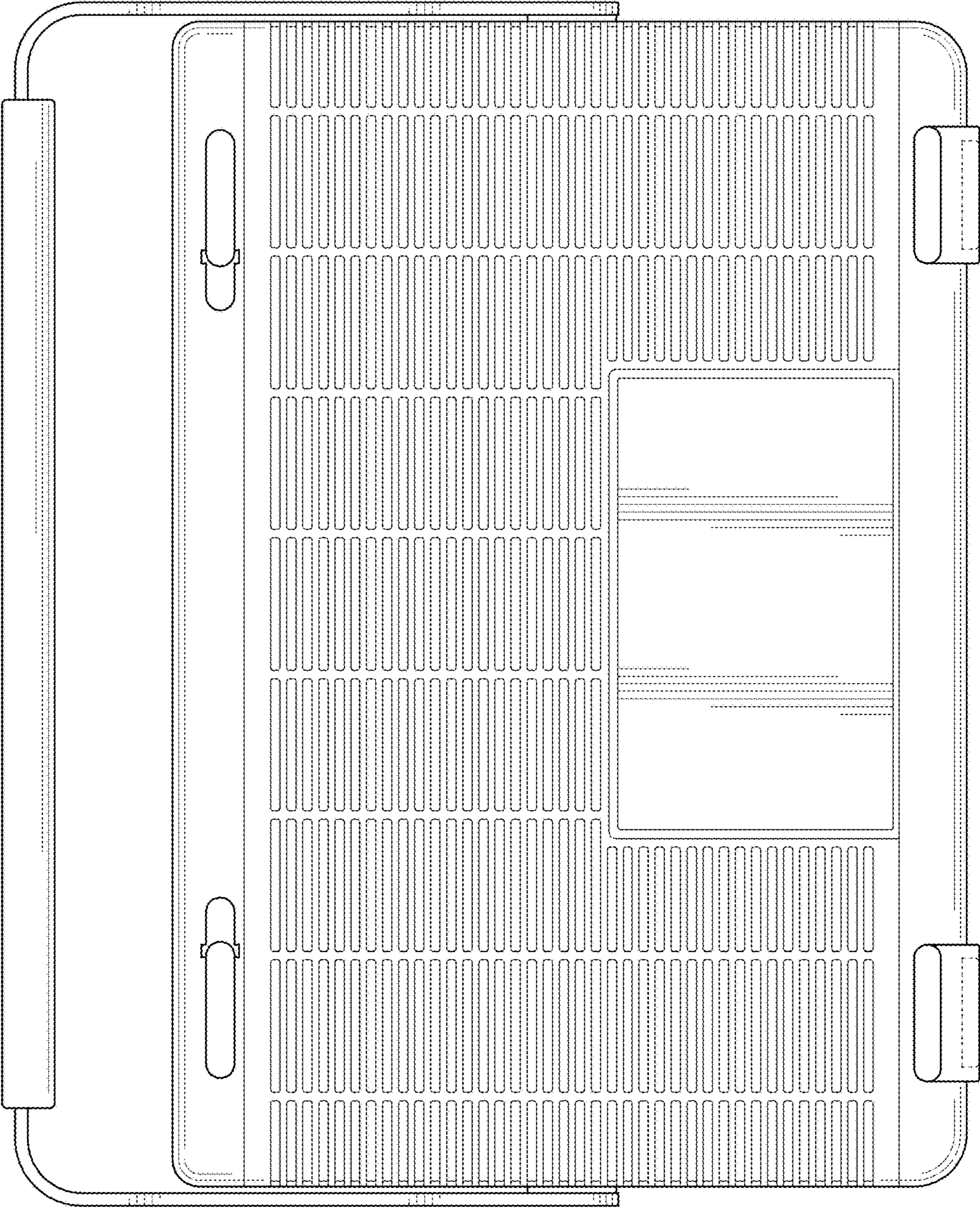


FIG. 6

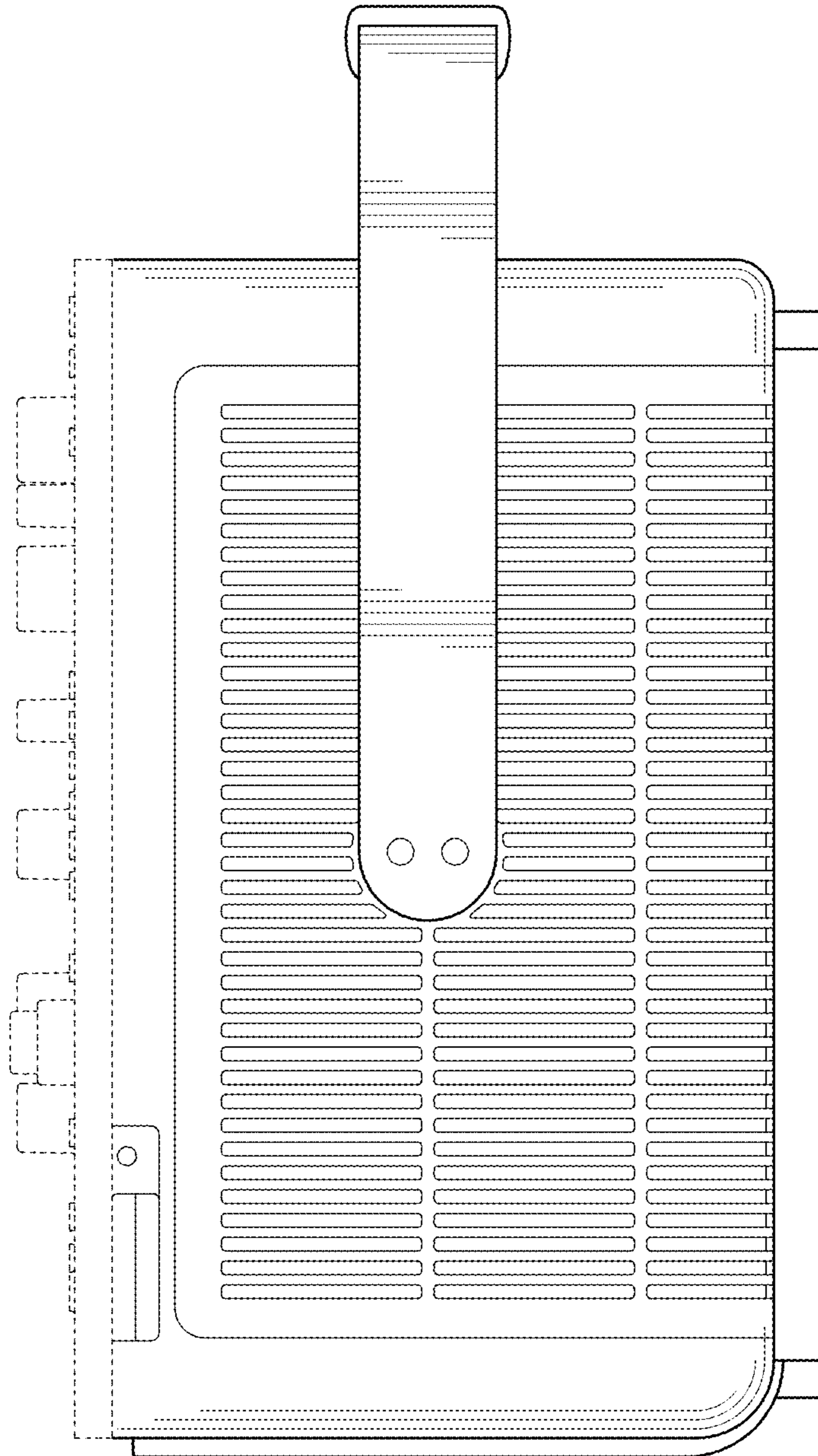


FIG. 7

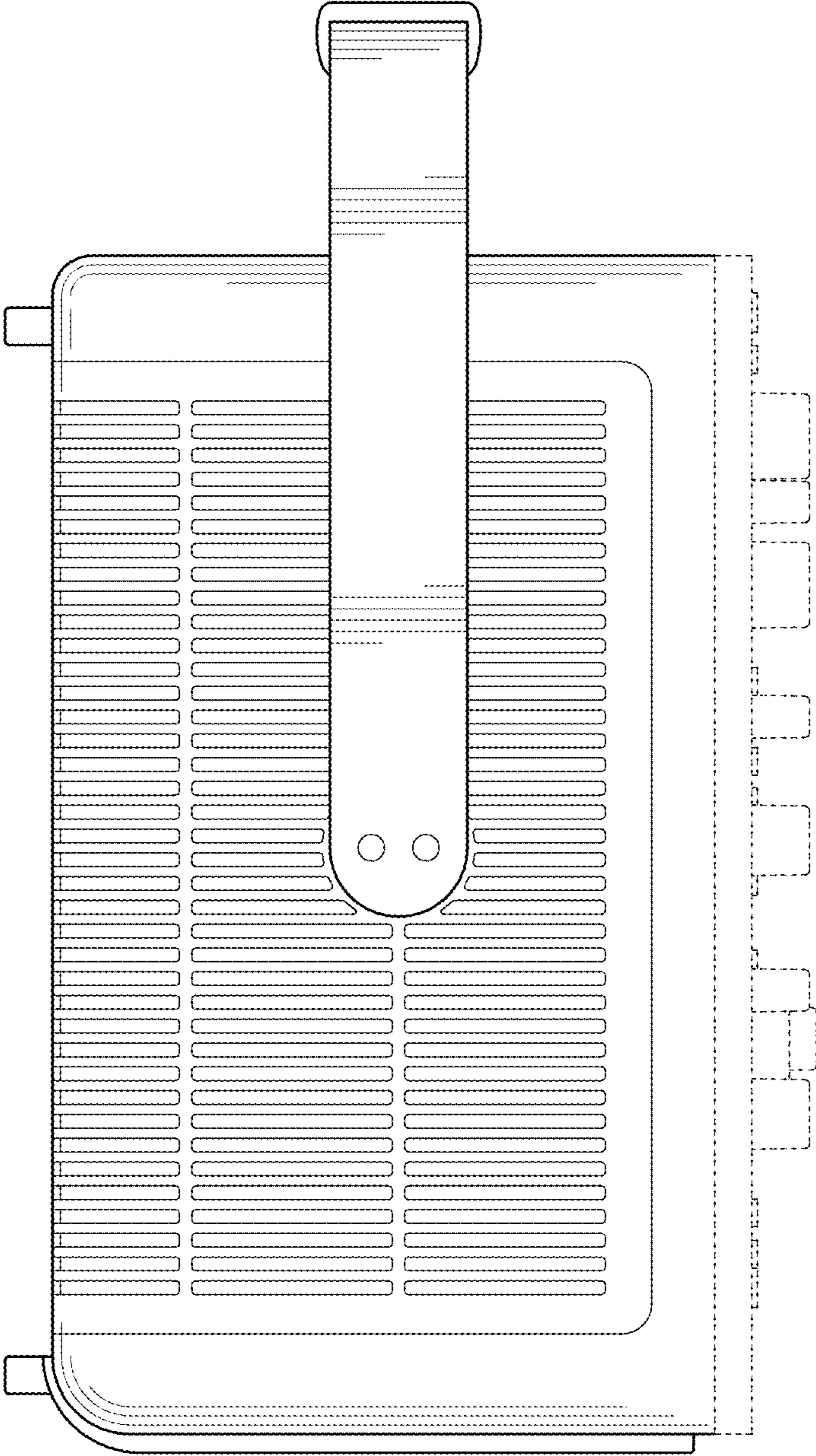


FIG. 8

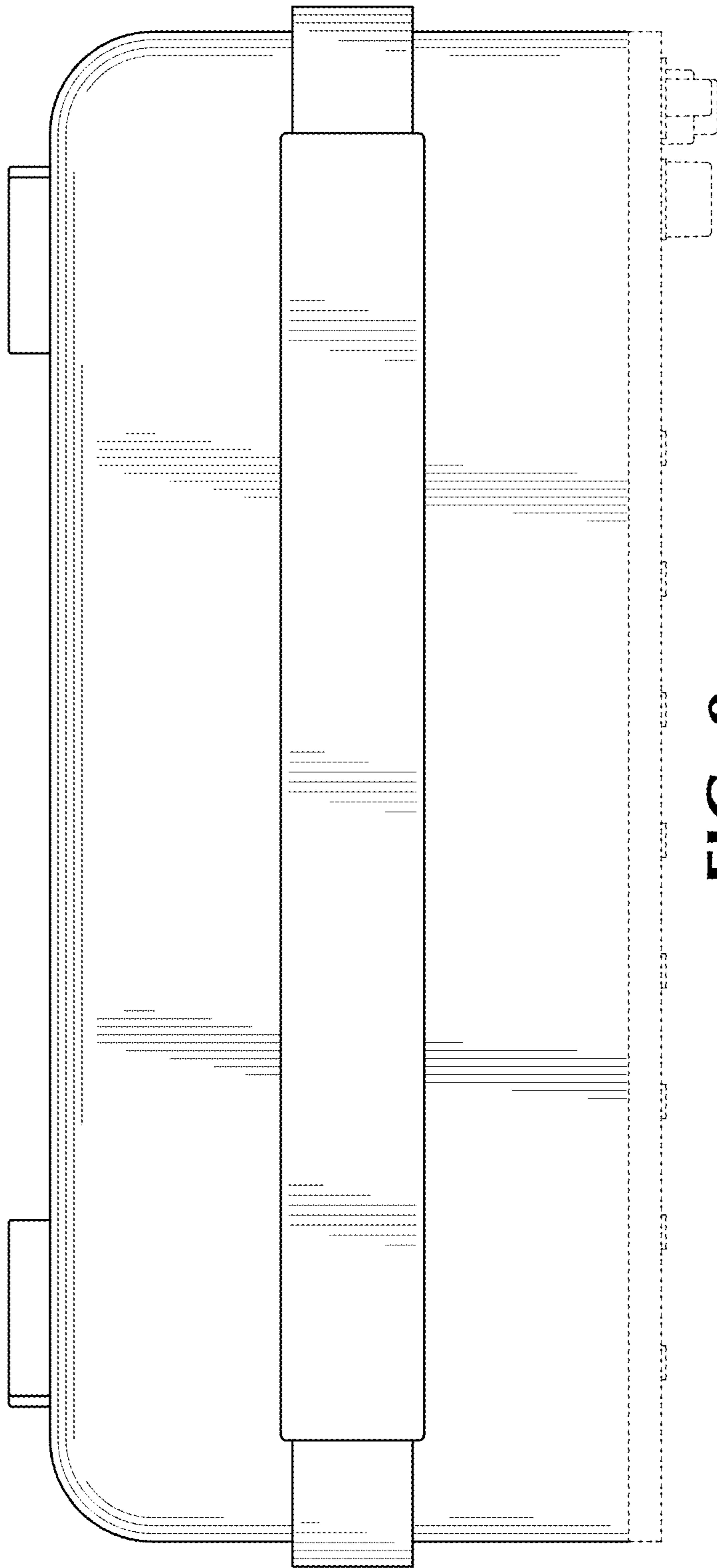


FIG. 9

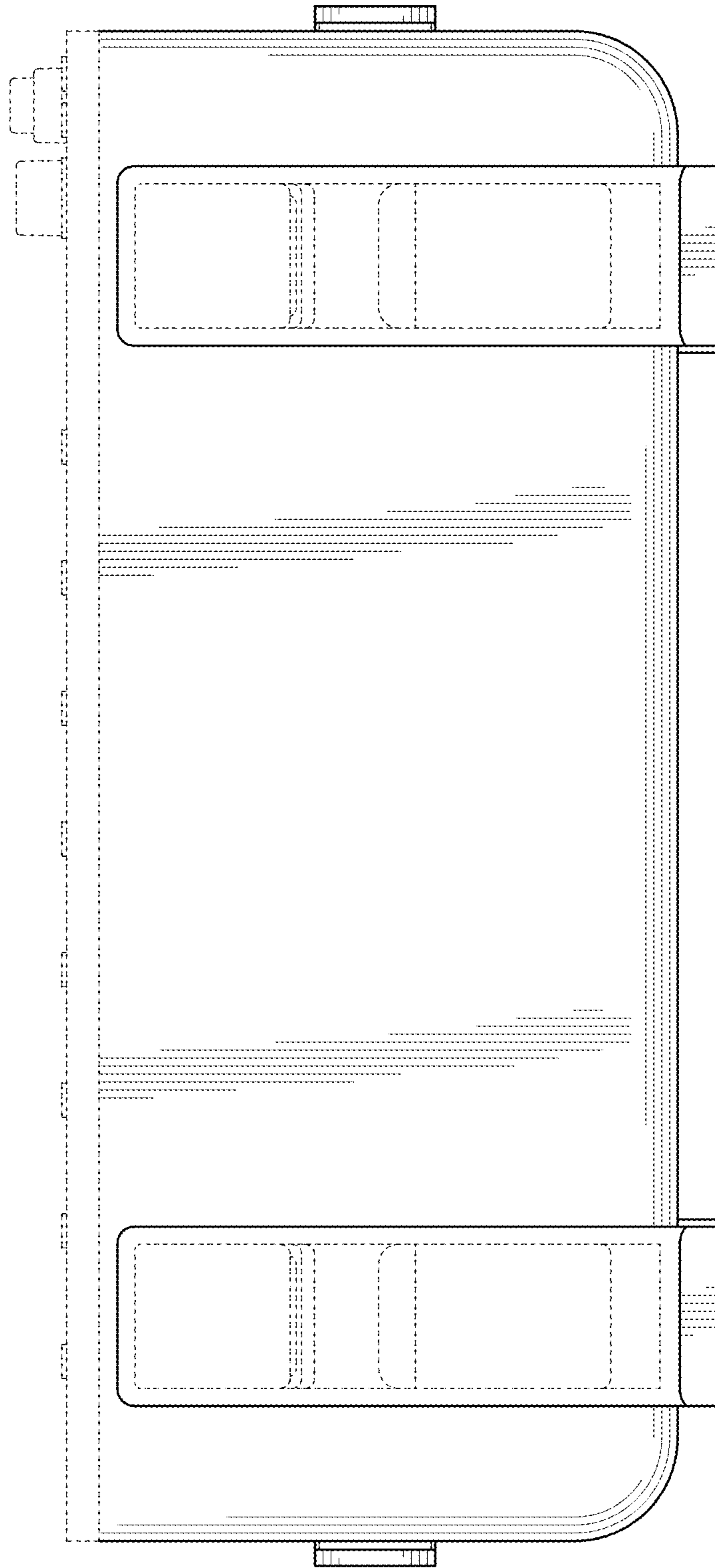


FIG. 10

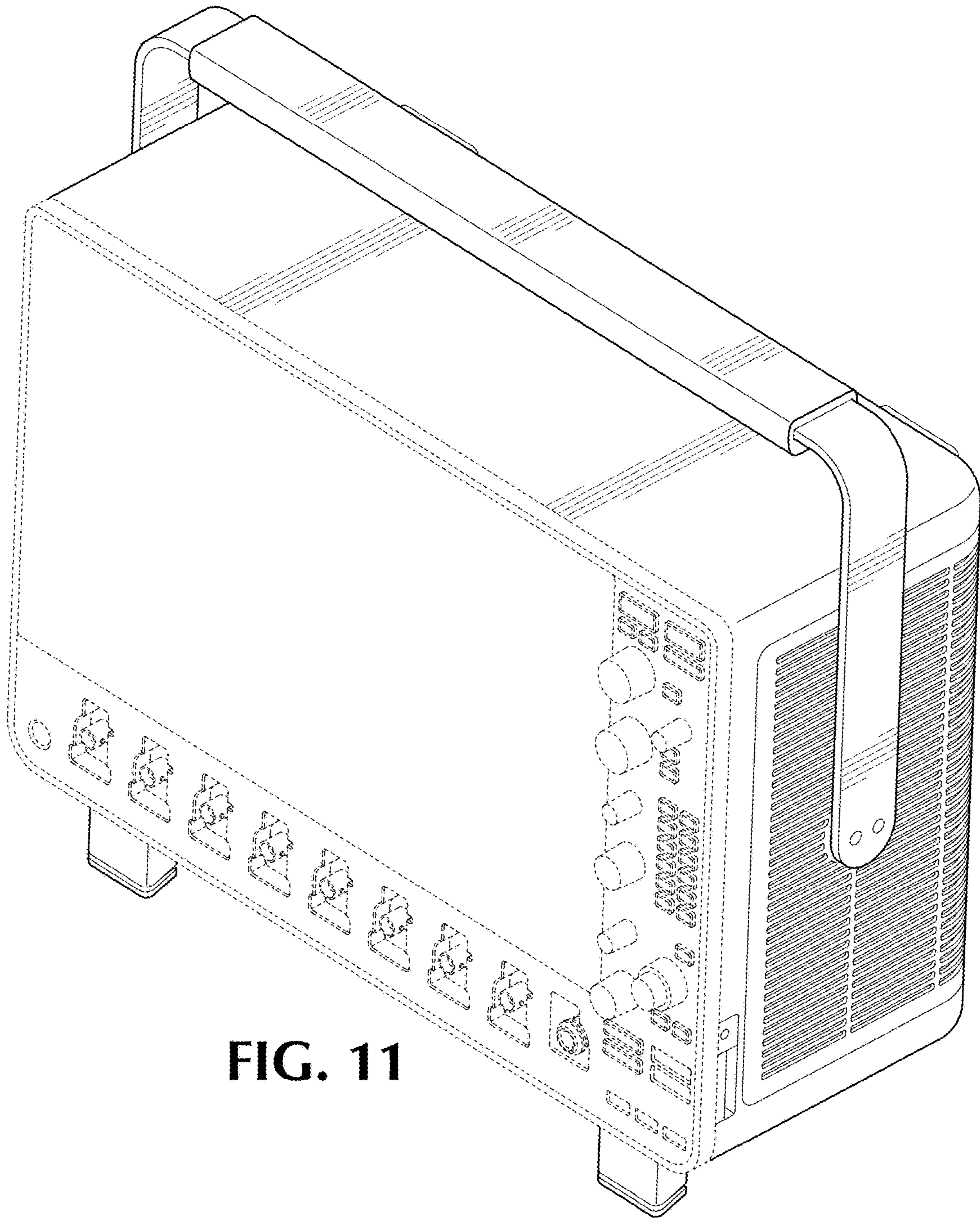


FIG. 11