



US00D820126S

(12) **United States Design Patent**  
**Chen**

(10) **Patent No.:** **US D820,126 S**  
(45) **Date of Patent:** **\*\* Jun. 12, 2018**

(54) **GARAGE DOOR MONITORING SYSTEM**

(71) Applicant: **Weilun Chen**, San Francisco, CA (US)

(72) Inventor: **Weilun Chen**, San Francisco, CA (US)

(\*\*) Term: **15 Years**

(21) Appl. No.: **29/600,349**

(22) Filed: **Apr. 11, 2017**

(51) **LOC (11) Cl.** ..... **10-04**

(52) **U.S. Cl.**

USPC ..... **D10/70; D10/106.6; D16/203**

(58) **Field of Classification Search**

USPC ..... **D10/70, 106.6, 106.7, 106.8; D16/203**

CPC . **E05F 15/77; E05F 15/79; E05F 15/73; E05F 15/668; E05F 15/2023; E05F 15/43; E05F 2015/434; E05F 2015/483; E05F 2015/436; E05F 2015/765; E05Y 2201/656; E05Y 2201/666; E05Y 2900/106; G05B 2219/2628; G05B 2219/25187; G05B 2219/2642; G08B 13/08**

See application file for complete search history.

(56) **References Cited**

**U.S. PATENT DOCUMENTS**

D593,883 S \* 6/2009 Hol ..... D10/70  
D684,072 S \* 6/2013 Volkert ..... D10/70  
D803,920 S \* 11/2017 Shin ..... D16/203

\* cited by examiner

*Primary Examiner* — Antoine Duval Davis

(74) *Attorney, Agent, or Firm* — Arman Khosraviani

(57) **CLAIM**

The ornamental design for a garage door monitoring system, as shown and described.

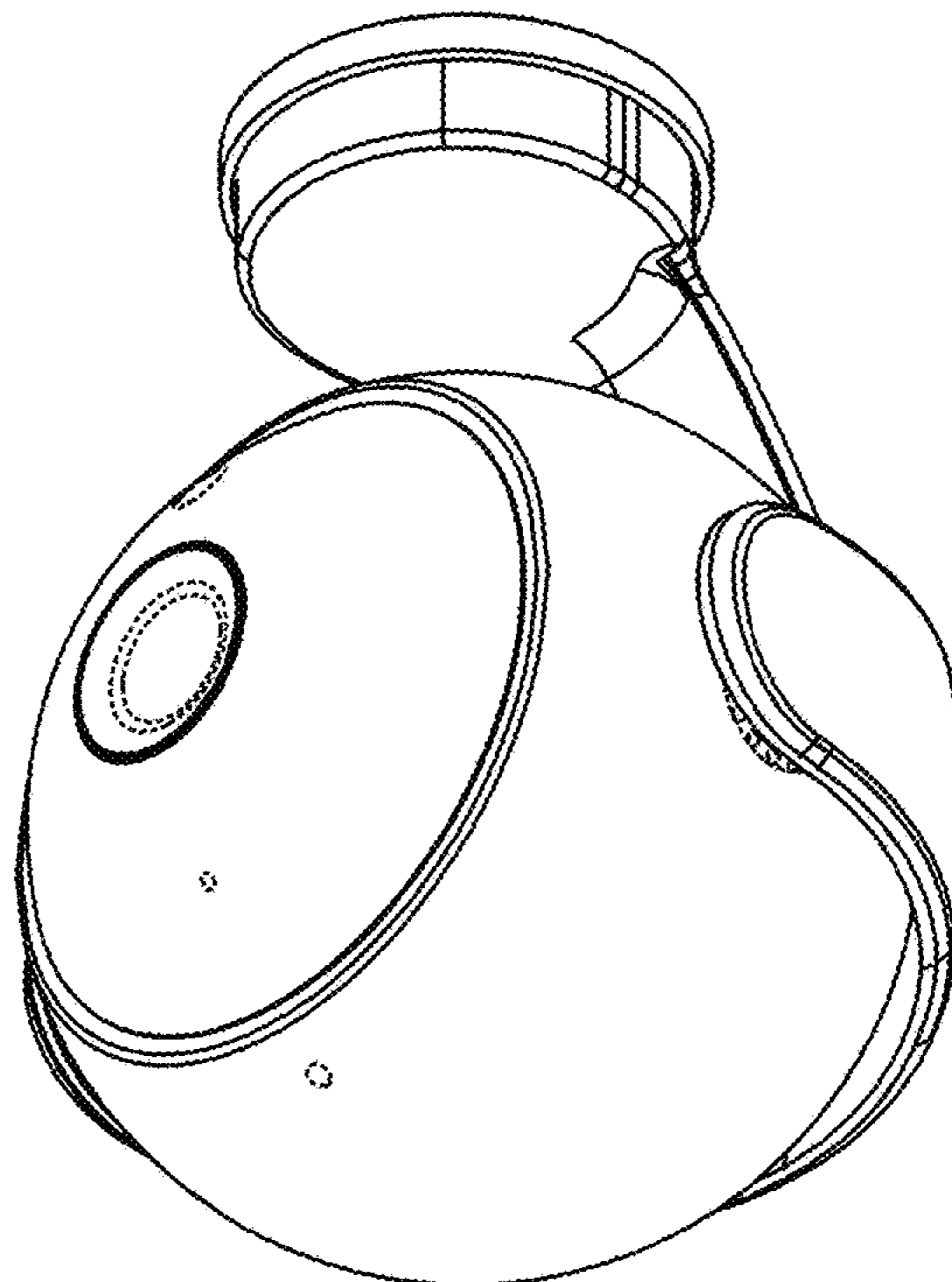
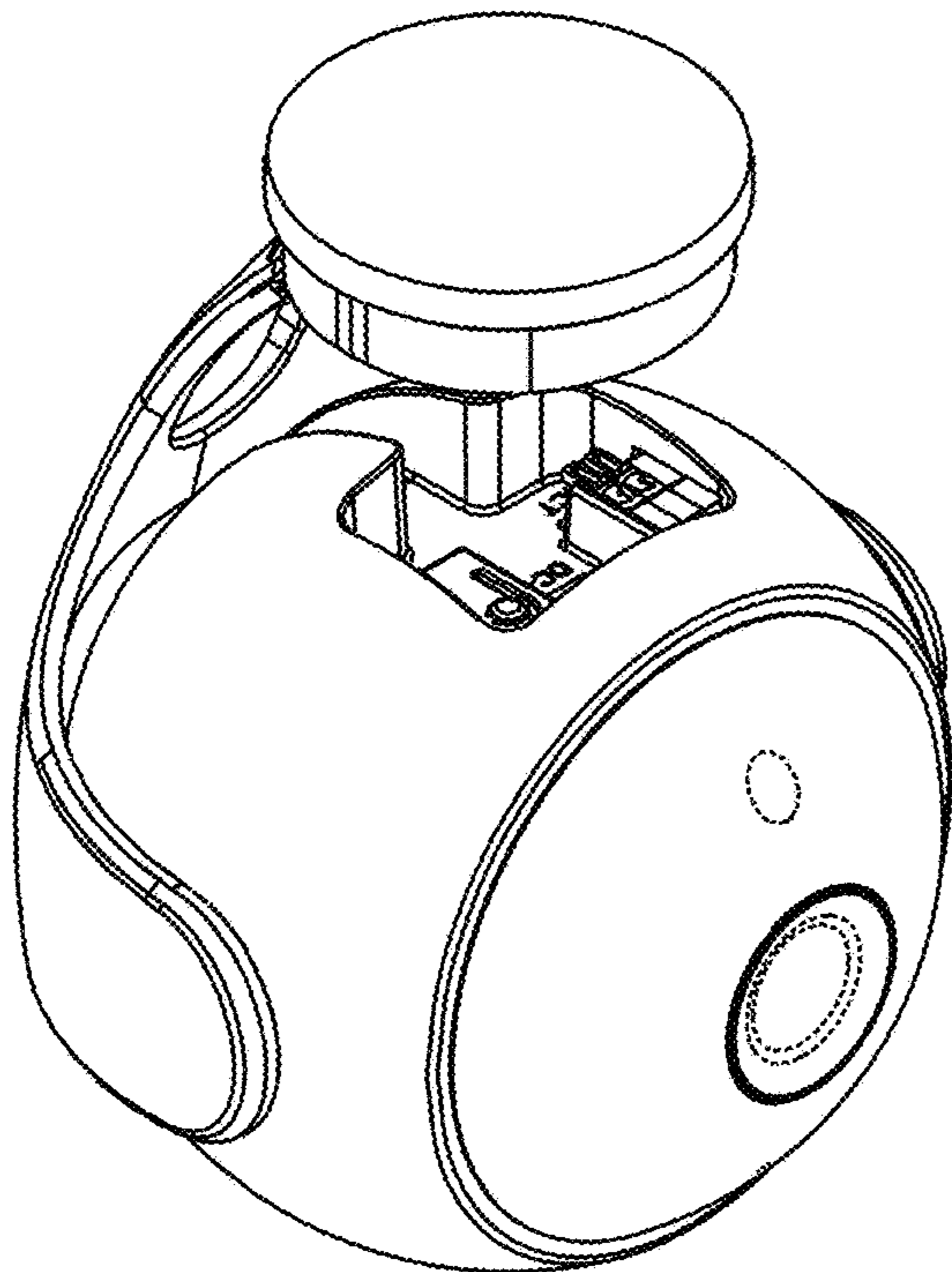
**DESCRIPTION**

FIG. 1 is a top, front and left side perspective view of a garage door monitoring system showing my new design; FIG. 2 is a front elevational view thereof; FIG. 3 is a rear elevational view thereof. FIG. 4 is a left side elevational view thereof; FIG. 5 is a right side elevational view thereof; FIG. 6 is a top plan view thereof; FIG. 7 is a bottom plan view thereof; and, FIG. 8 is a bottom, front, right side perspective view thereof. The claimed device is illustrated with the color designation for the color black.

The electronic device is not limited to scale shown herein. As indicated in the title of the article of manufacture to which the ornamental design has been applied is an electronic device.

The broken lines shown in the drawings of the garage door monitoring system are included for the purpose of illustrating environmental structure and form no part of the claimed design.

**1 Claim, 8 Drawing Sheets**



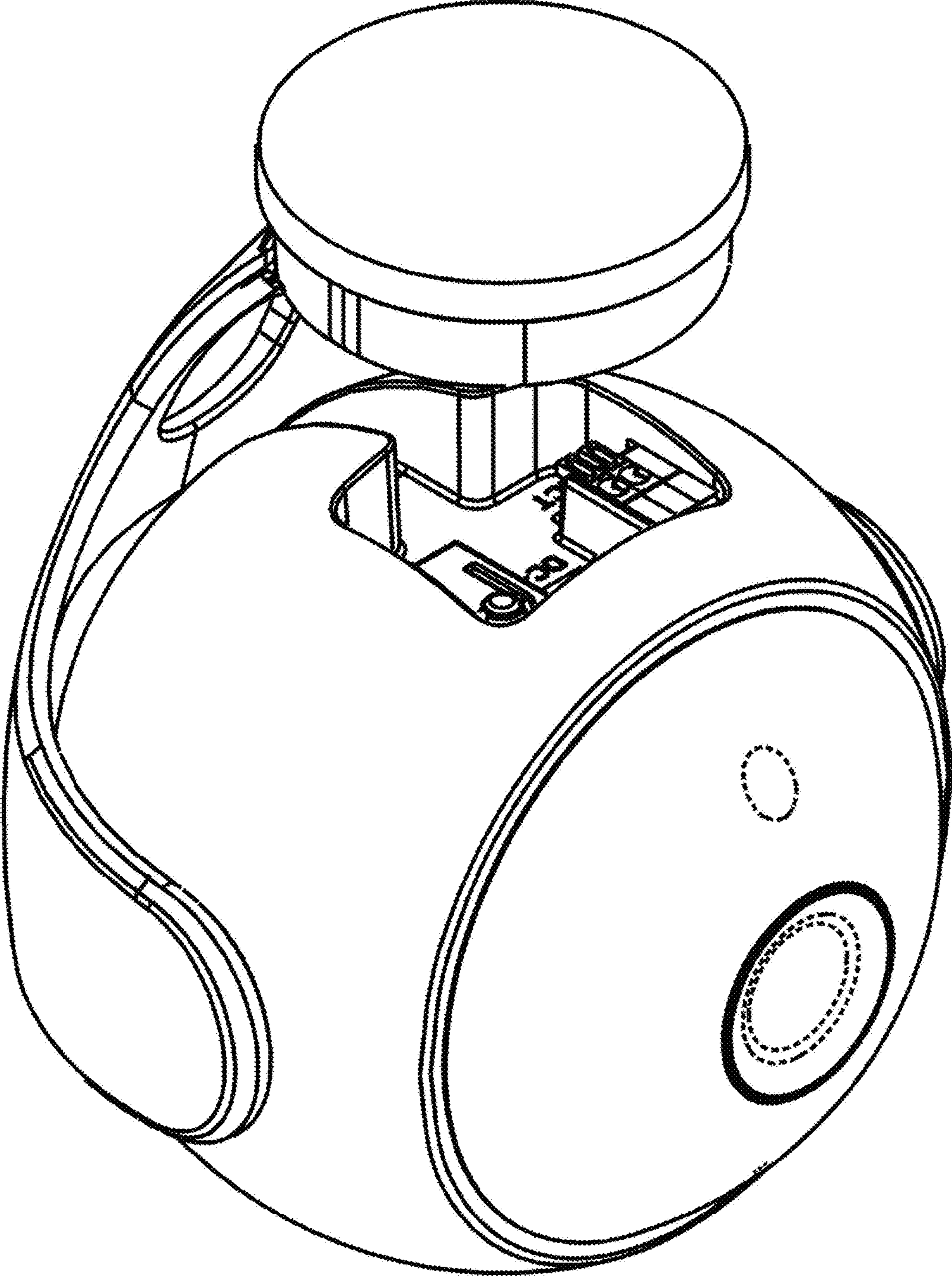


FIG. 1

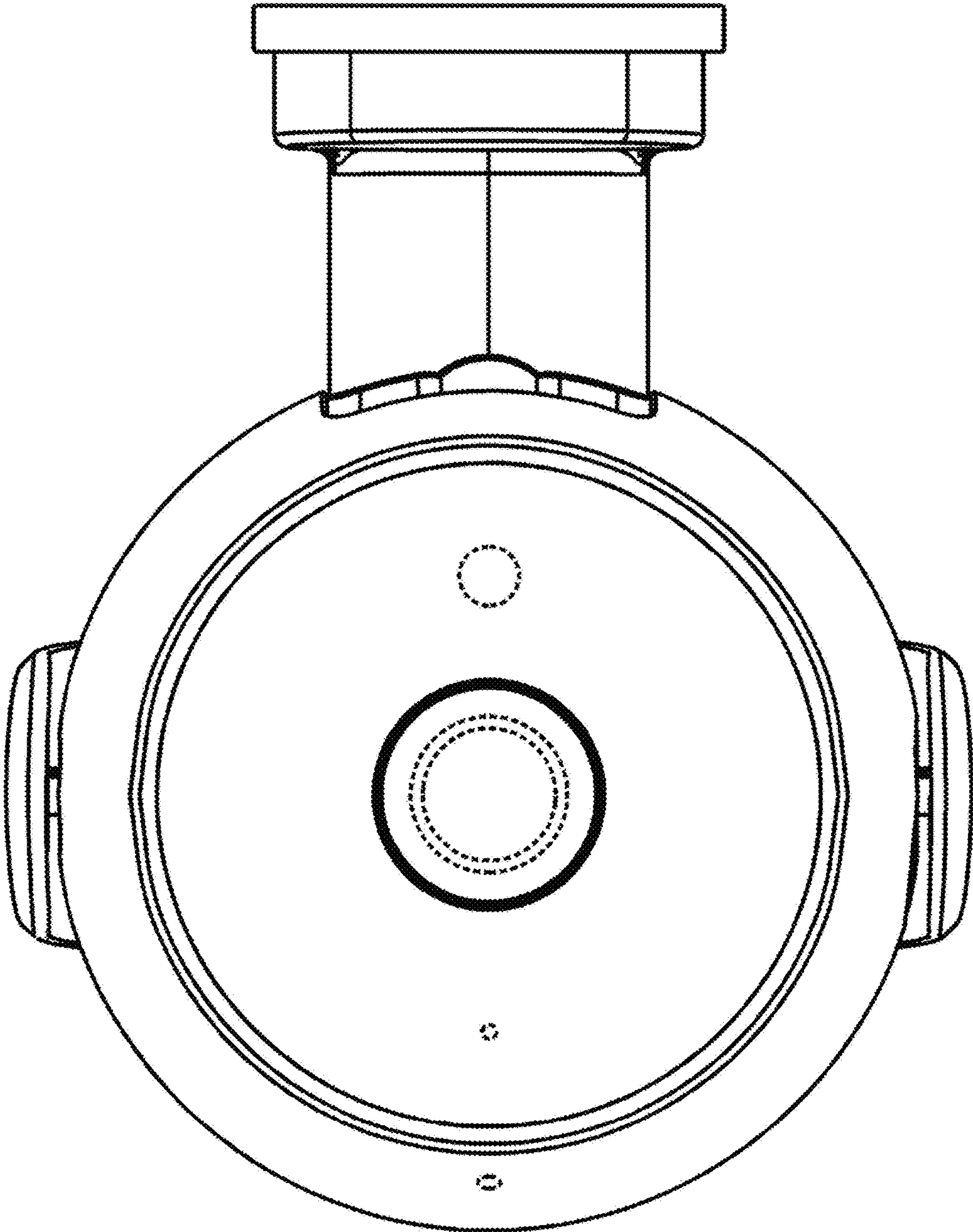


FIG. 2



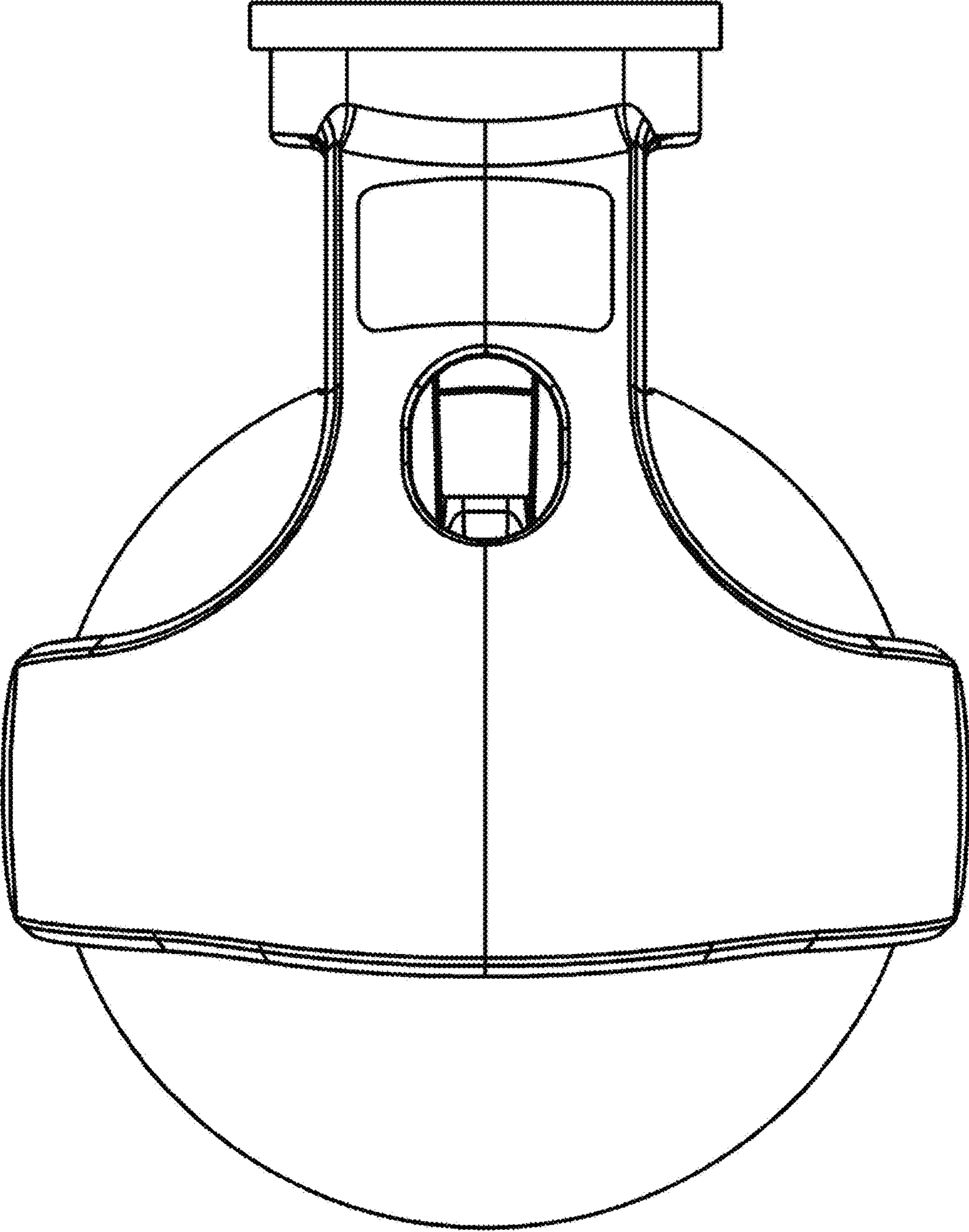


FIG. 3

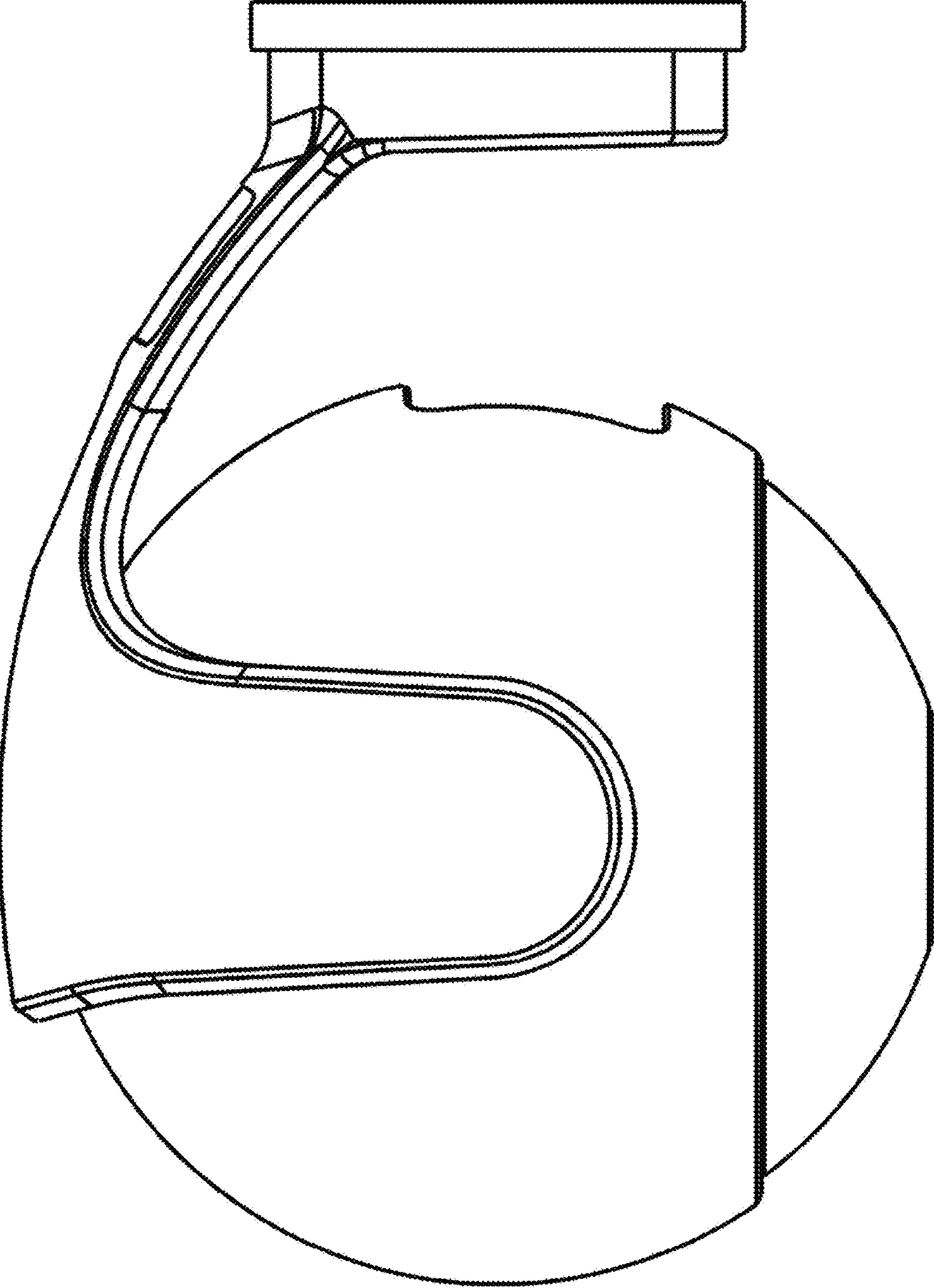


FIG. 4

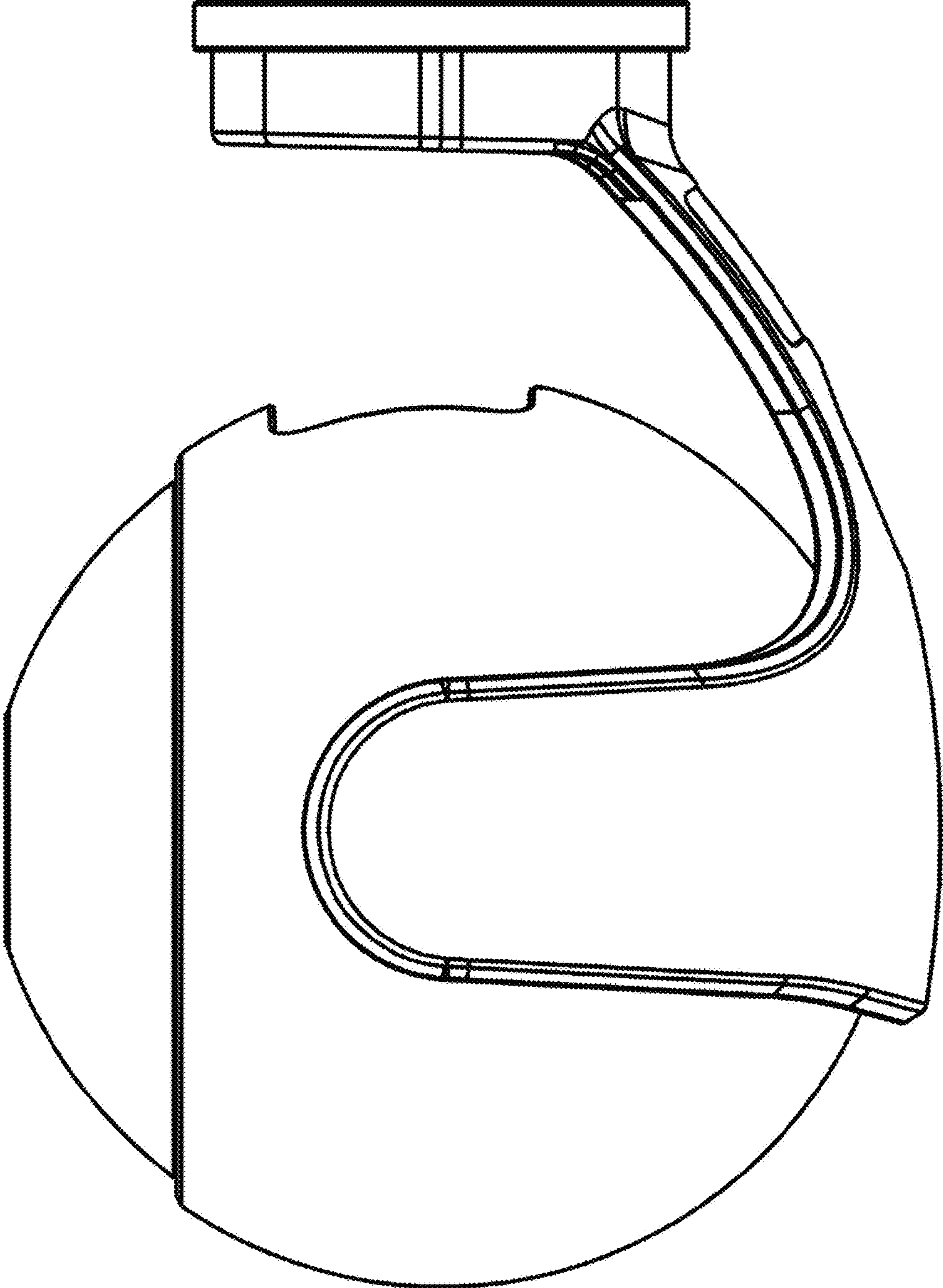


FIG. 5

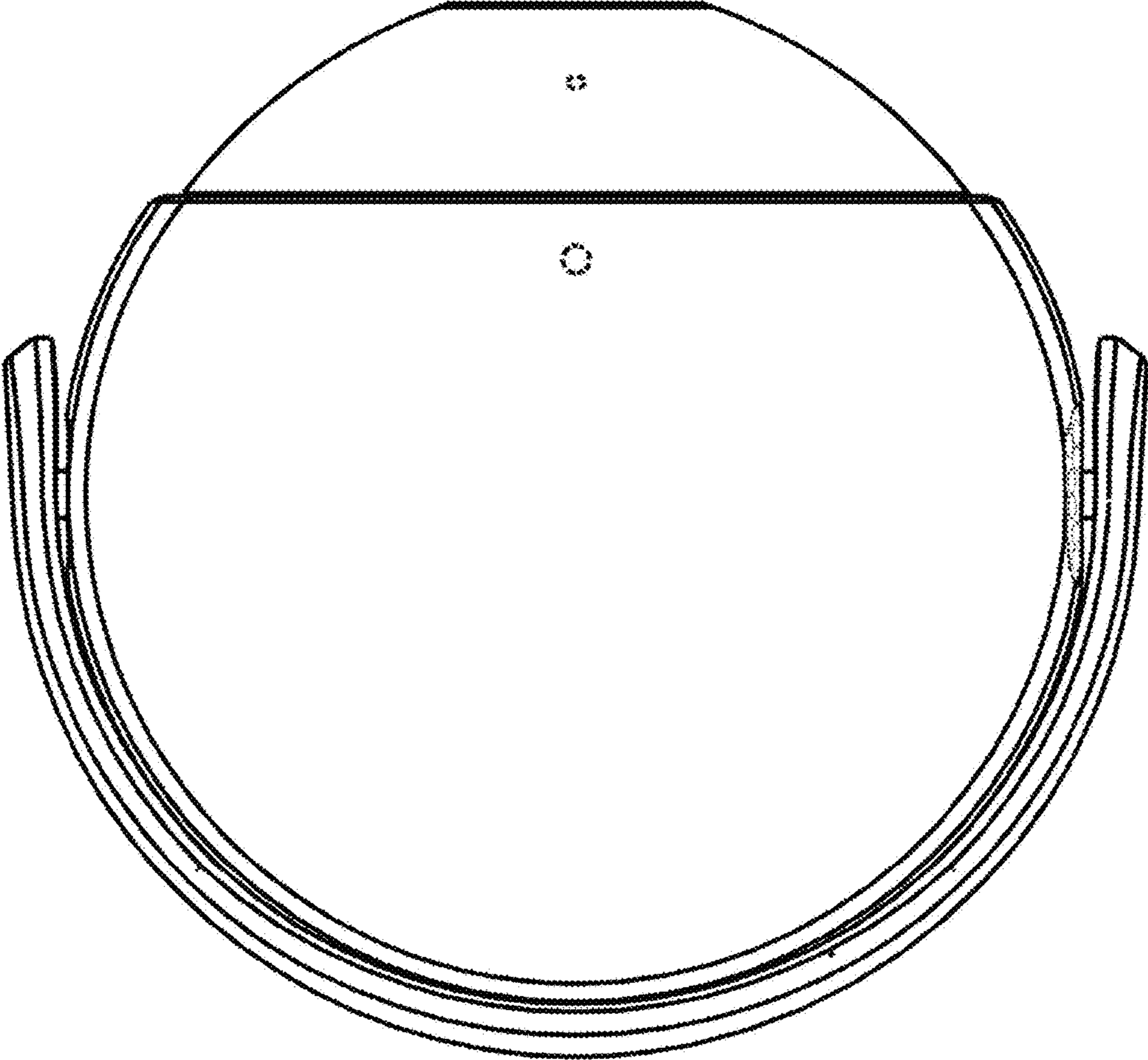


FIG. 6

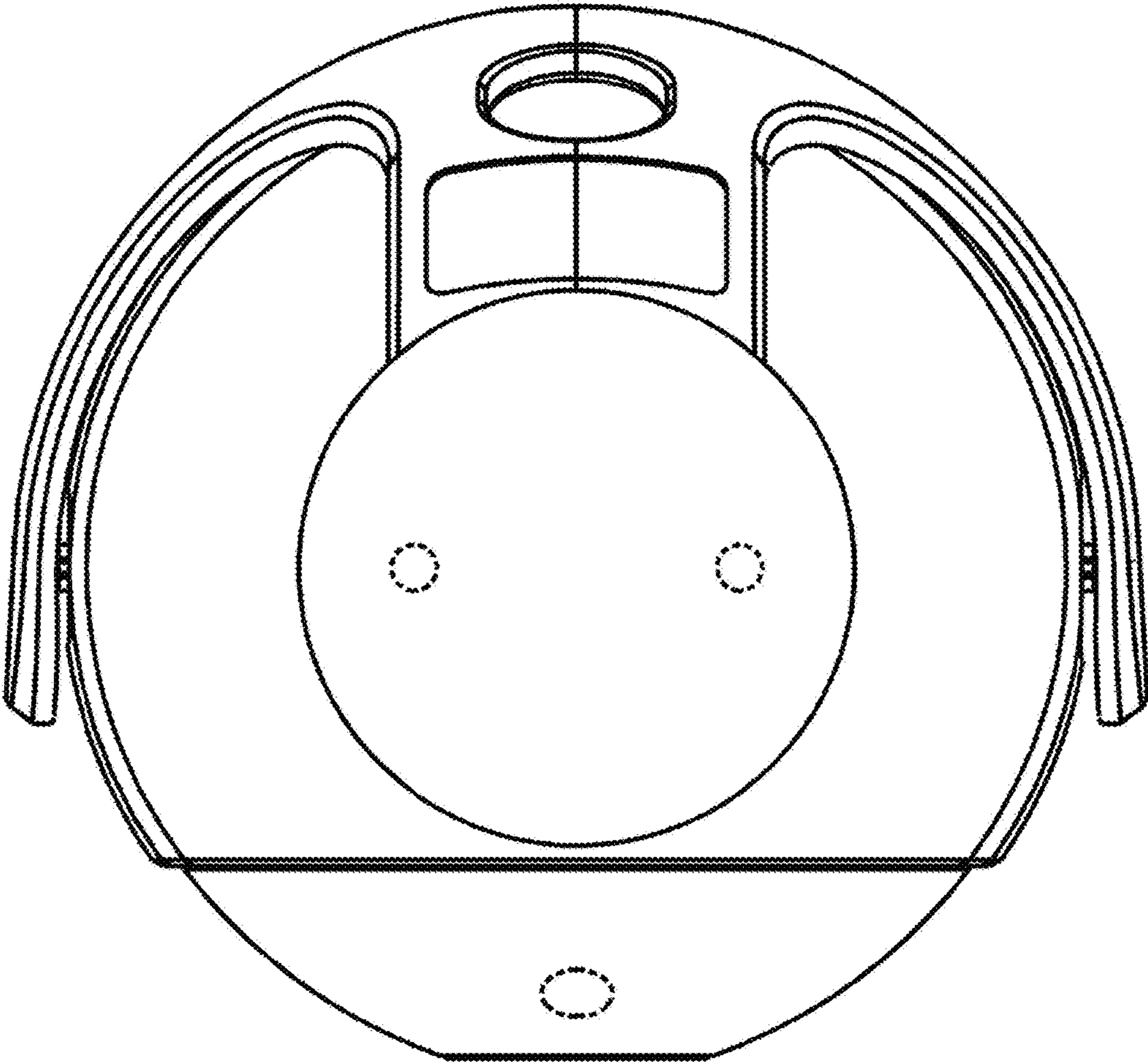


FIG. 7



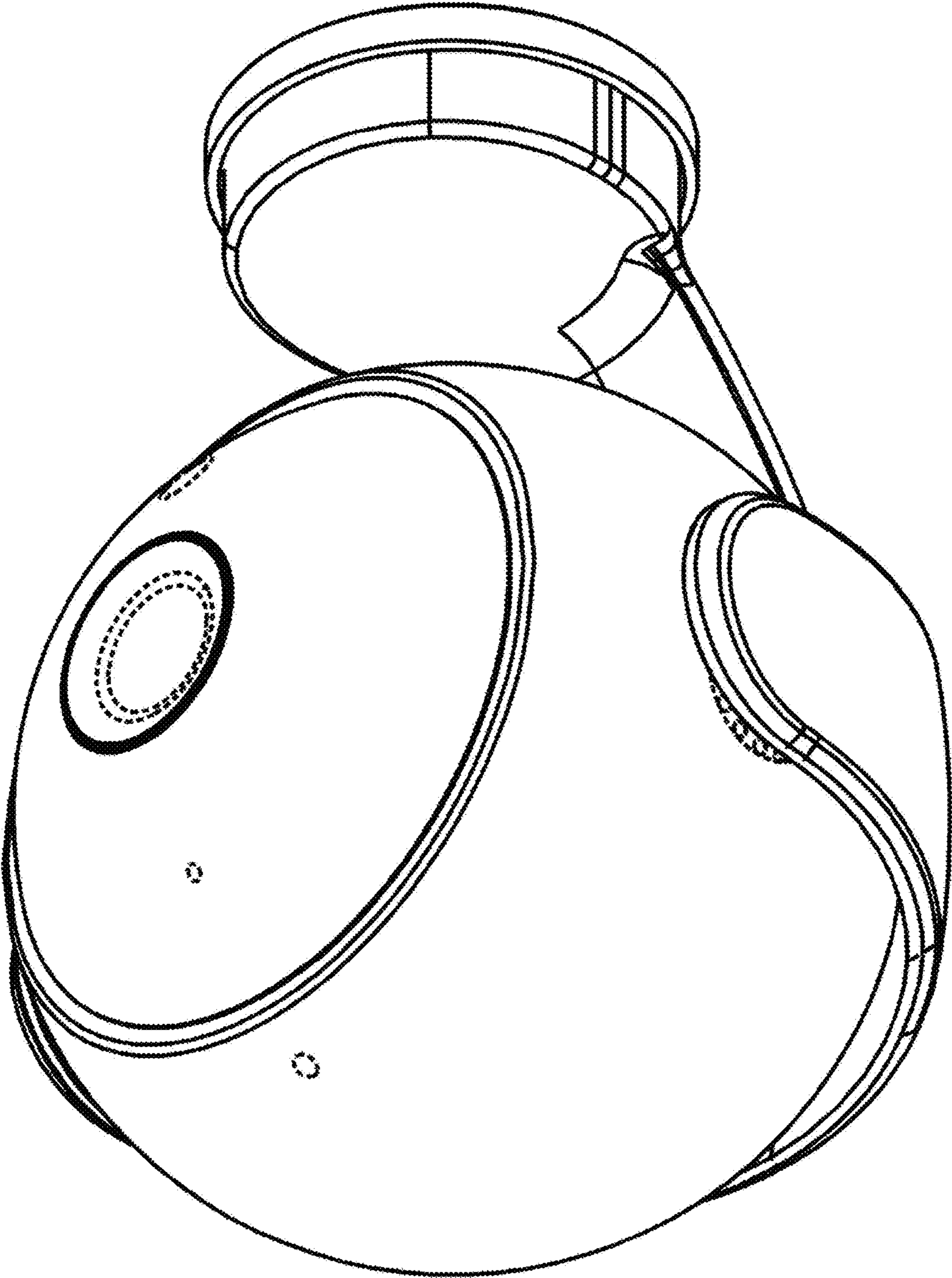


FIG. 8