



US00D820124S

(12) **United States Design Patent**
Mouradian

(10) **Patent No.:** **US D820,124 S**
(45) **Date of Patent:** **** Jun. 12, 2018**

- (54) **WEARABLE SENSOR RING**
- (71) Applicant: **SENSOGRAM TECHNOLOGIES, INC.**, Plano, TX (US)
- (72) Inventor: **Vahram Mouradian**, Plano, TX (US)
- (73) Assignee: **Sensogram Technologies, Inc.**, Plano, TX (US)
- (**) Term: **15 Years**
- (21) Appl. No.: **29/594,537**
- (22) Filed: **Feb. 20, 2017**
- (51) **LOC (11) Cl.** **10-04**
- (52) **U.S. Cl.**
USPC **D10/70; D11/26**
- (58) **Field of Classification Search**
USPC ... D10/30-32, 38, 40, 41, 46, 70, 79, 106.5, D10/106.6, 106.92, 106.94, 114.6, 123, D10/125, 126, 128, 131; D11/1-4, 93, D11/94; D14/138, 144, 341, 344, 358, D14/485; D24/167, 169, 186, 187
CPC A63B 71/0686
See application file for complete search history.

D768,859 S * 10/2016 Rodriguez Leal D24/169
 D799,477 S * 10/2017 Lee D14/344
 2016/0249815 A1* 9/2016 Freeman A61B 5/6898
 600/483
 2016/0350581 A1* 12/2016 Manuel G06K 9/00087

FOREIGN PATENT DOCUMENTS

DE 102005021527 A1 * 11/2006 G06F 3/017
 JP 2000342547 A * 12/2000
 JP 2006115439 A * 4/2006
 WO WO-2015077366 A1 * 5/2015 A61B 5/01

* cited by examiner

Primary Examiner — Melanie H Tung

Assistant Examiner — Fritzgerald L Butac

(74) *Attorney, Agent, or Firm* — RatnerPrestia

(57) **CLAIM**

The ornamental design for a wearable sensor ring, as shown and described.

DESCRIPTION

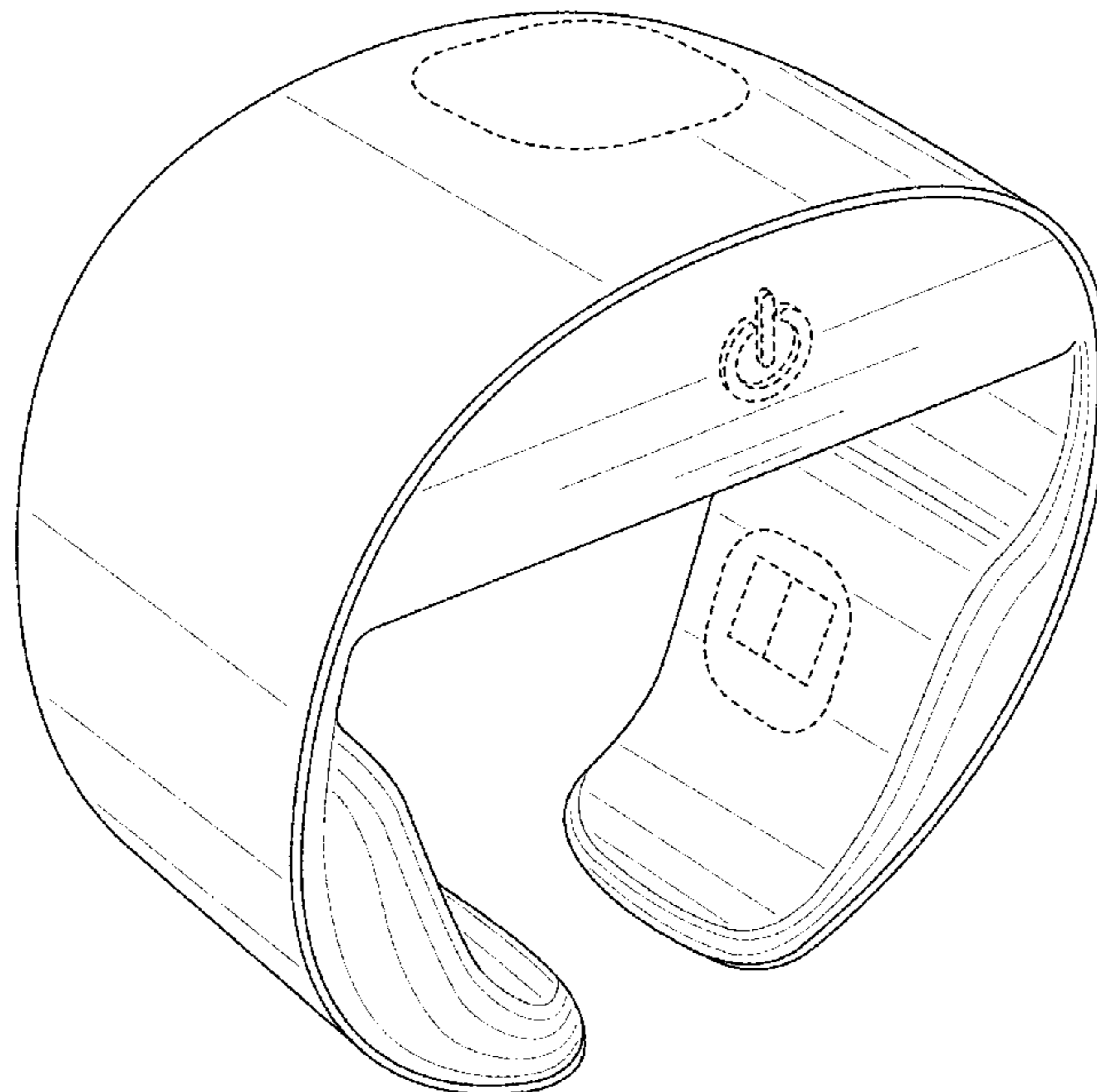
FIG. 1 is a left front isometric view of a wearable sensor ring showing my new design;
 FIG. 2 is a right front isometric view thereof;
 FIG. 3 is front elevation view thereof;
 FIG. 4 is a rear elevation view thereof;
 FIG. 5 is a left elevation view thereof;
 FIG. 6 is a right elevation view thereof;
 FIG. 7 is a top plan view thereof; and,
 FIG. 8 is a bottom plan view thereof.
 The broken lines show portions of a wearable sensor ring that form no part of the claimed design.

1 Claim, 8 Drawing Sheets

(56) **References Cited**

U.S. PATENT DOCUMENTS

D342,740 S * 12/1993 Parker D11/4
 D495,611 S * 9/2004 Jørgensen D10/32
 D640,531 S * 6/2011 Saelid D8/373
 D709,787 S * 7/2014 Rummonds D11/2
 D722,894 S * 2/2015 Vondle D10/32
 D748,514 S * 2/2016 Daniel D10/104.2
 D764,674 S * 8/2016 Quinn D11/27
 D768,300 S * 10/2016 Felix D14/344



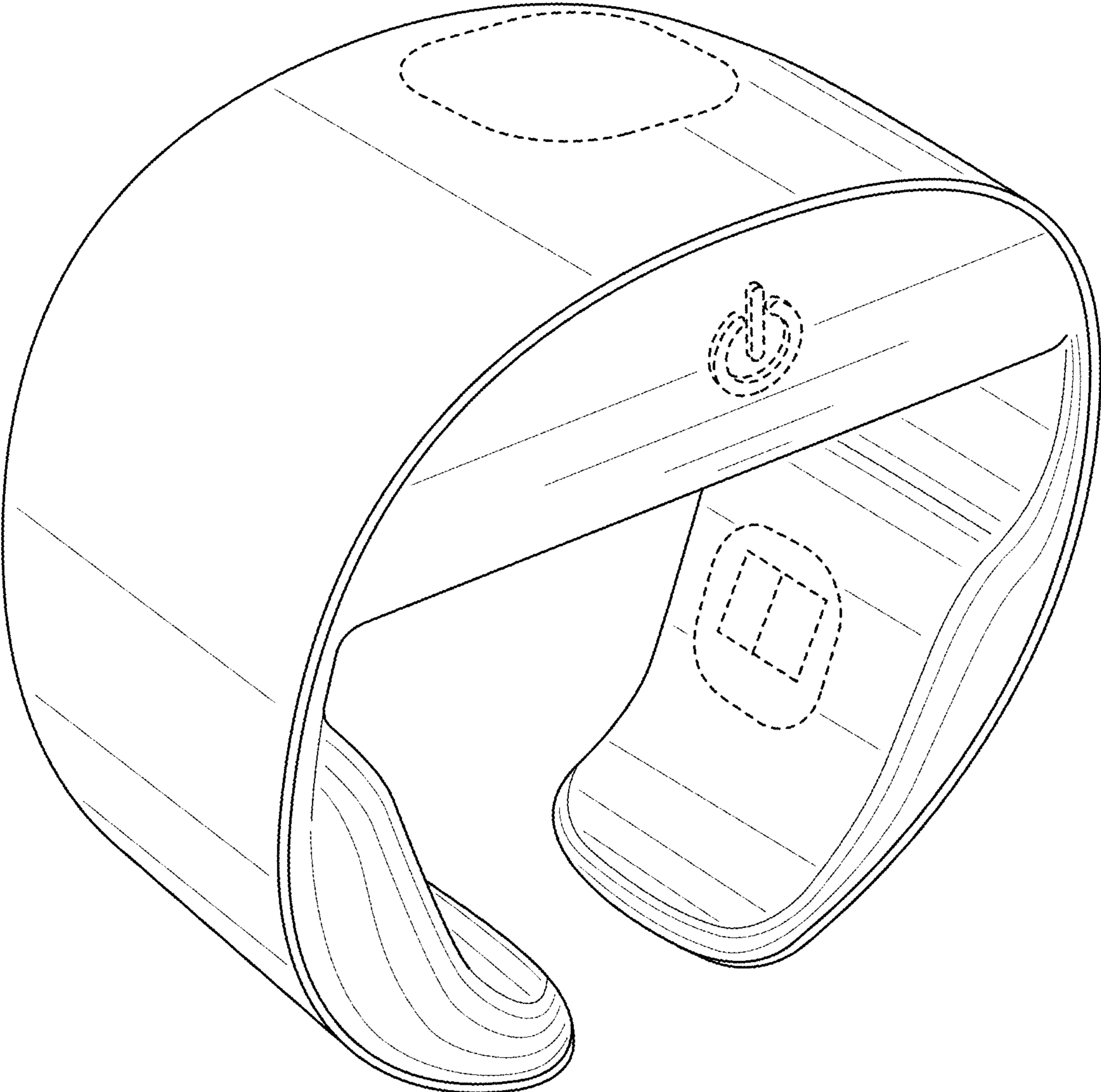


FIG. 1

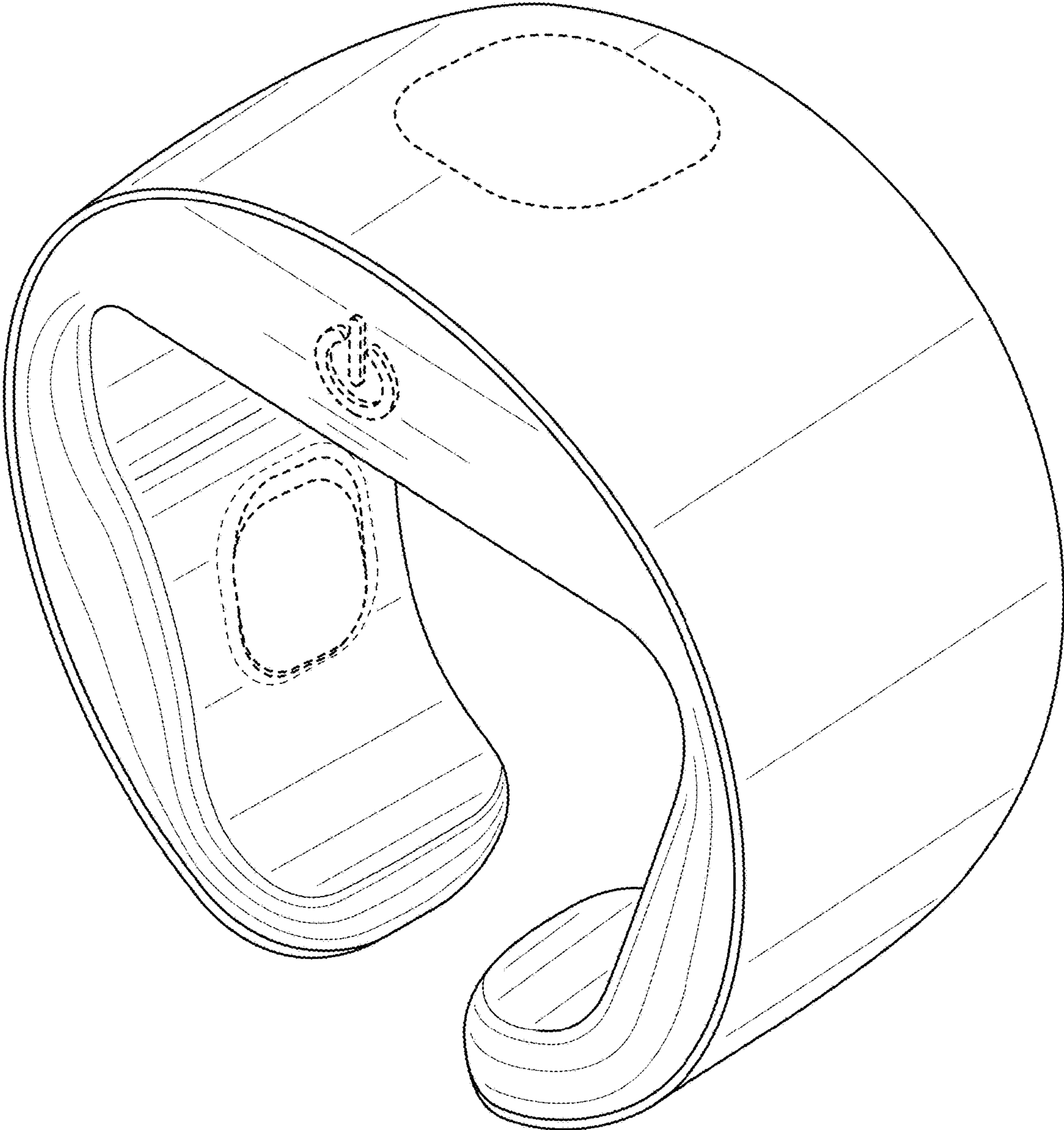


FIG. 2

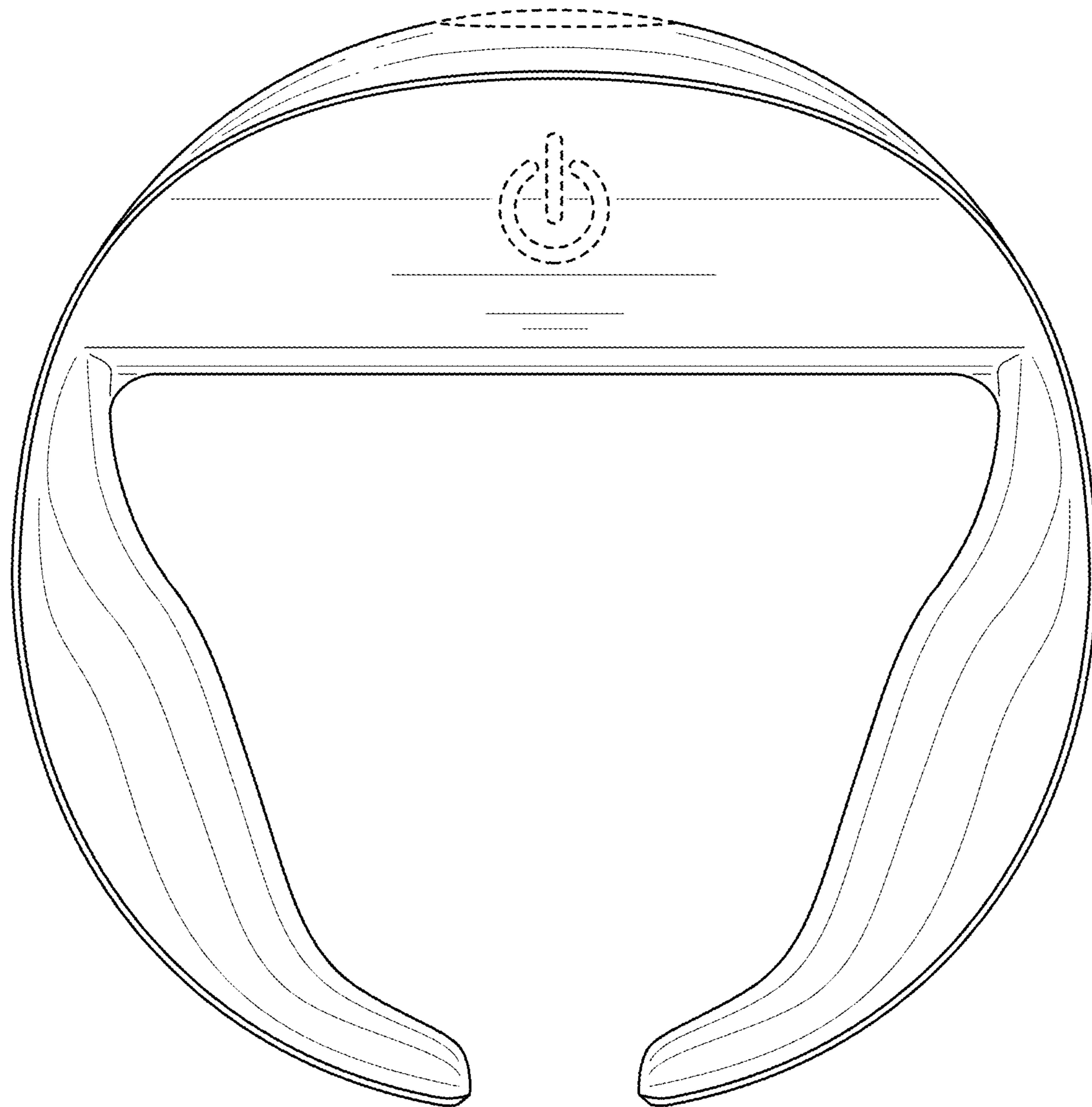


FIG. 3

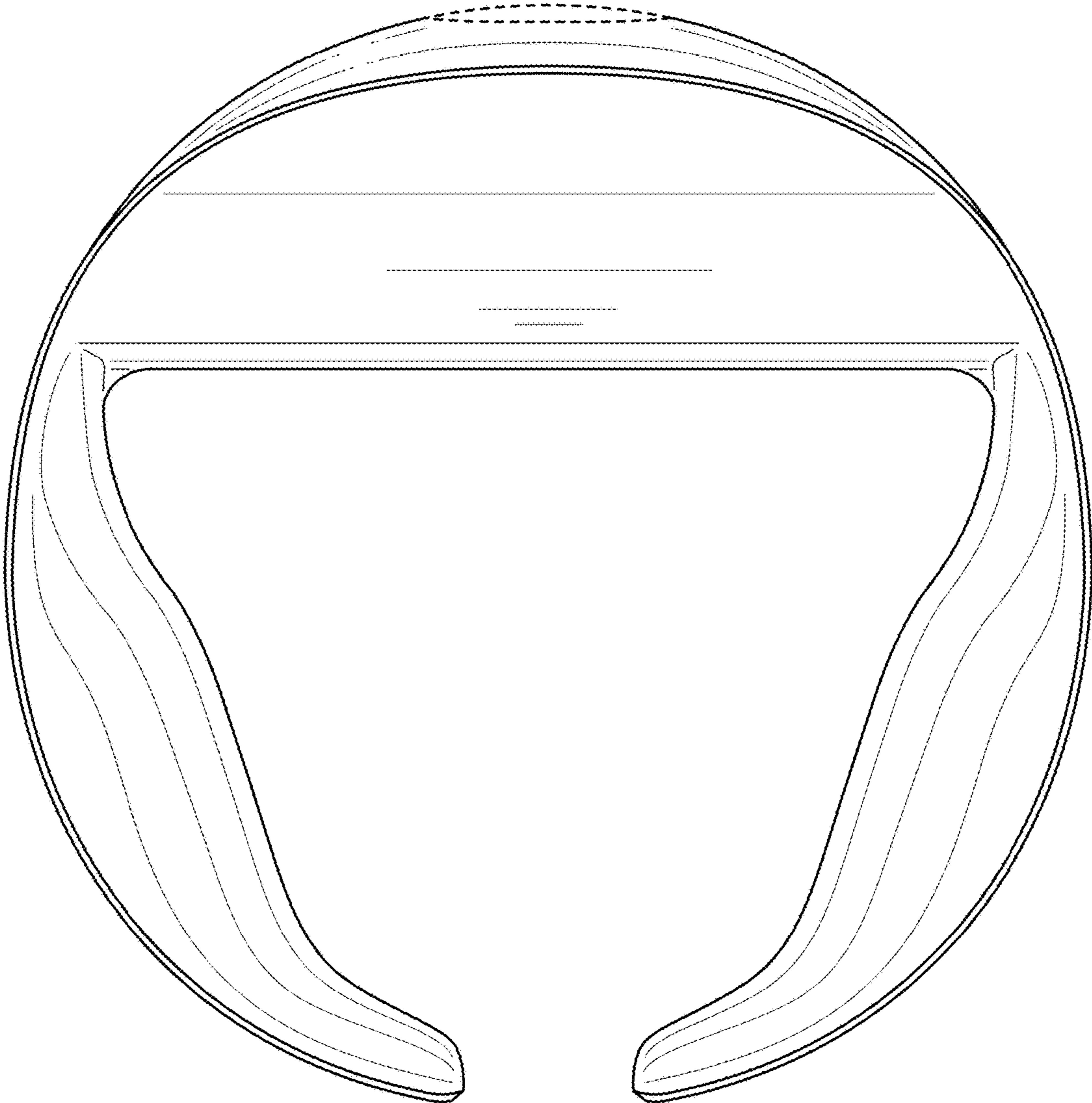


FIG. 4

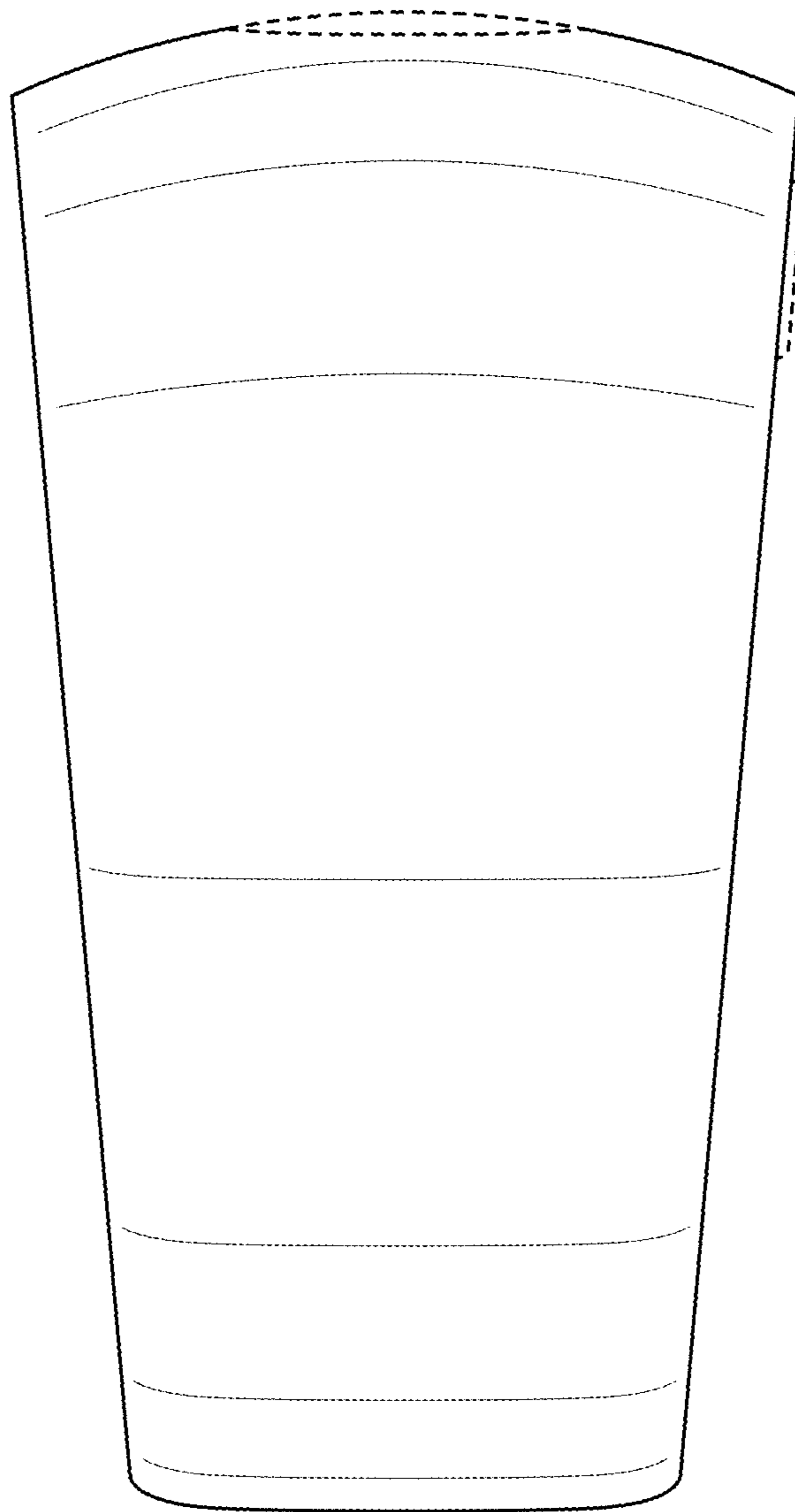


FIG. 5

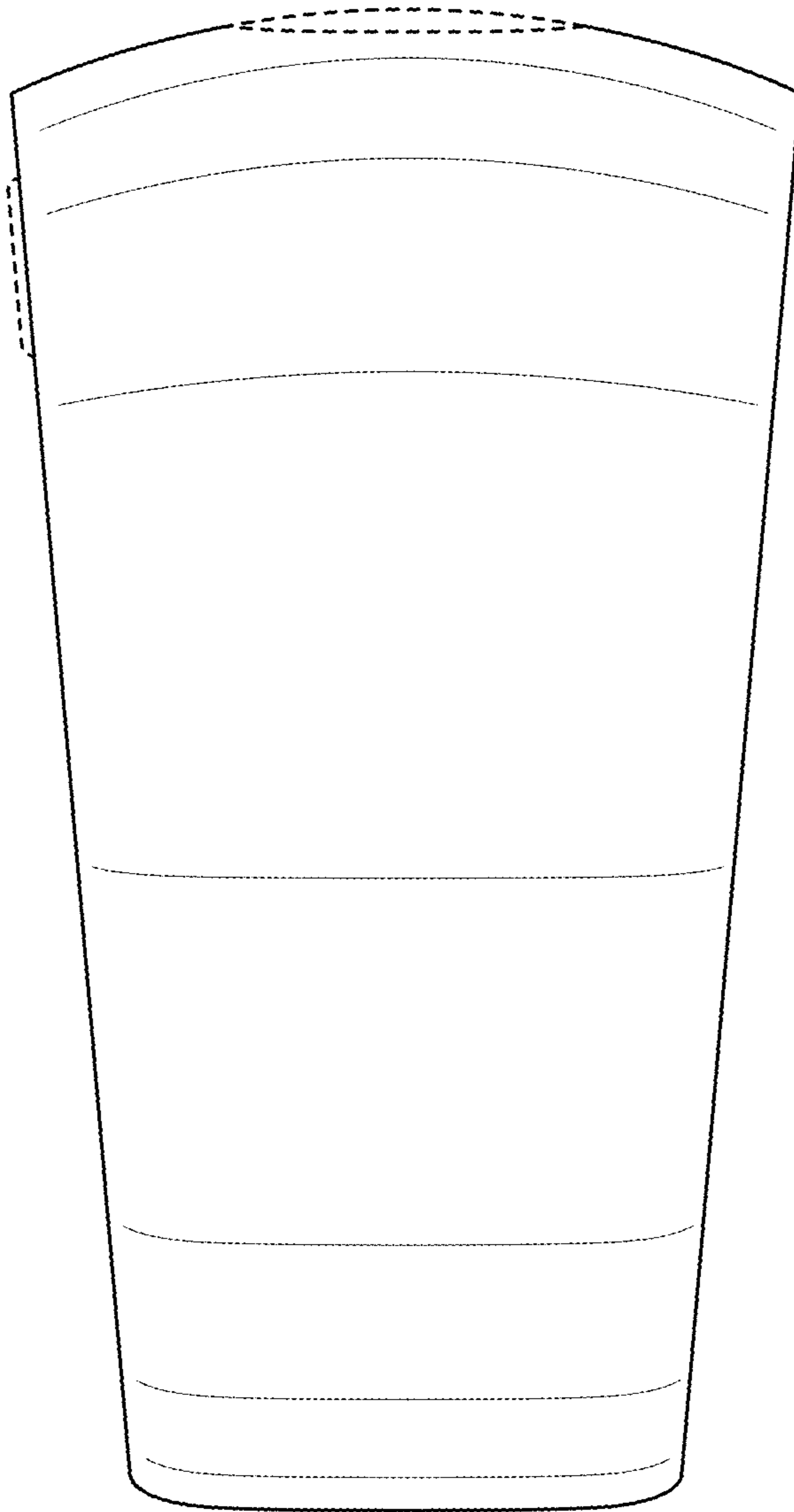


FIG. 6

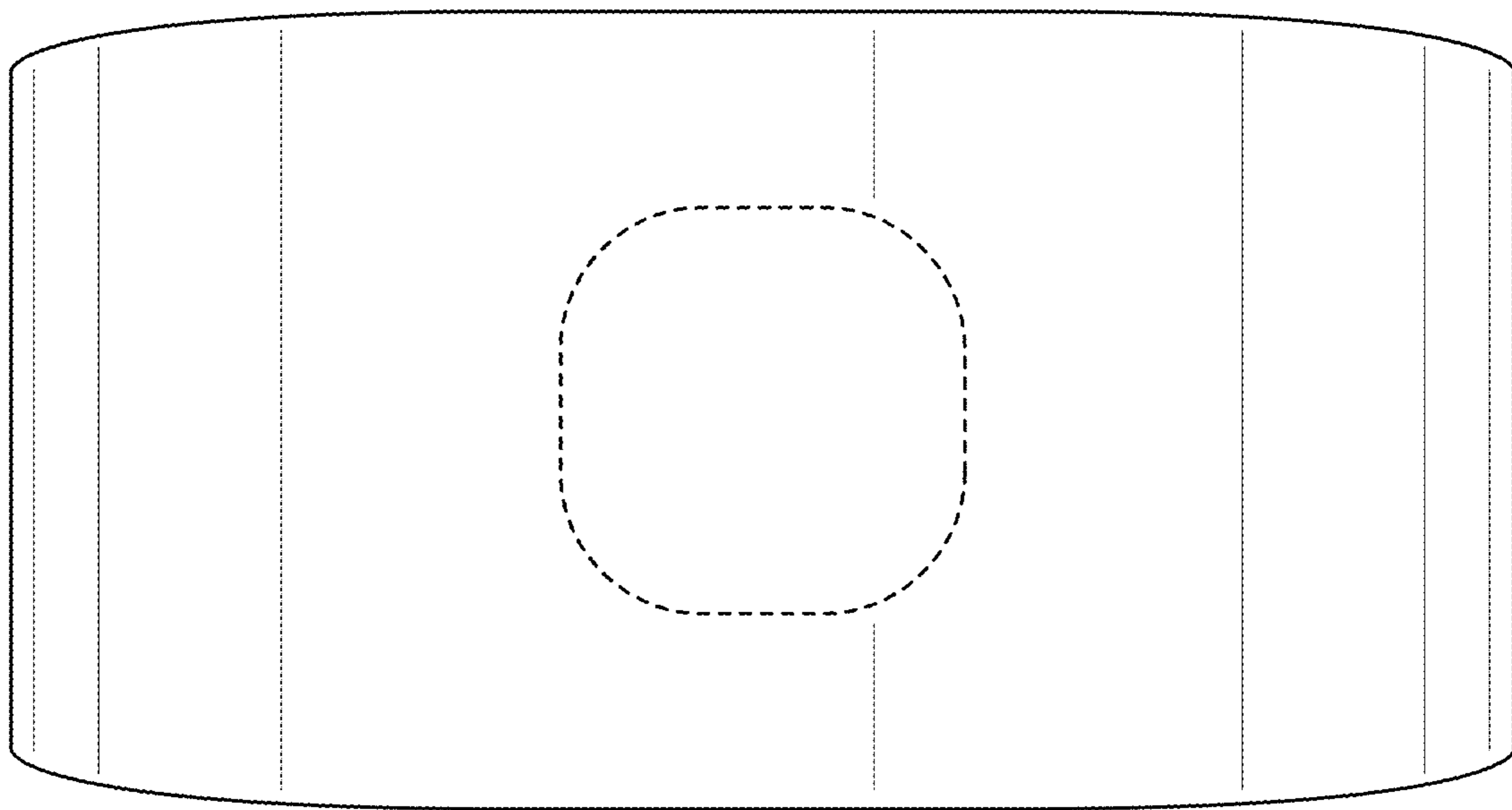


FIG. 7

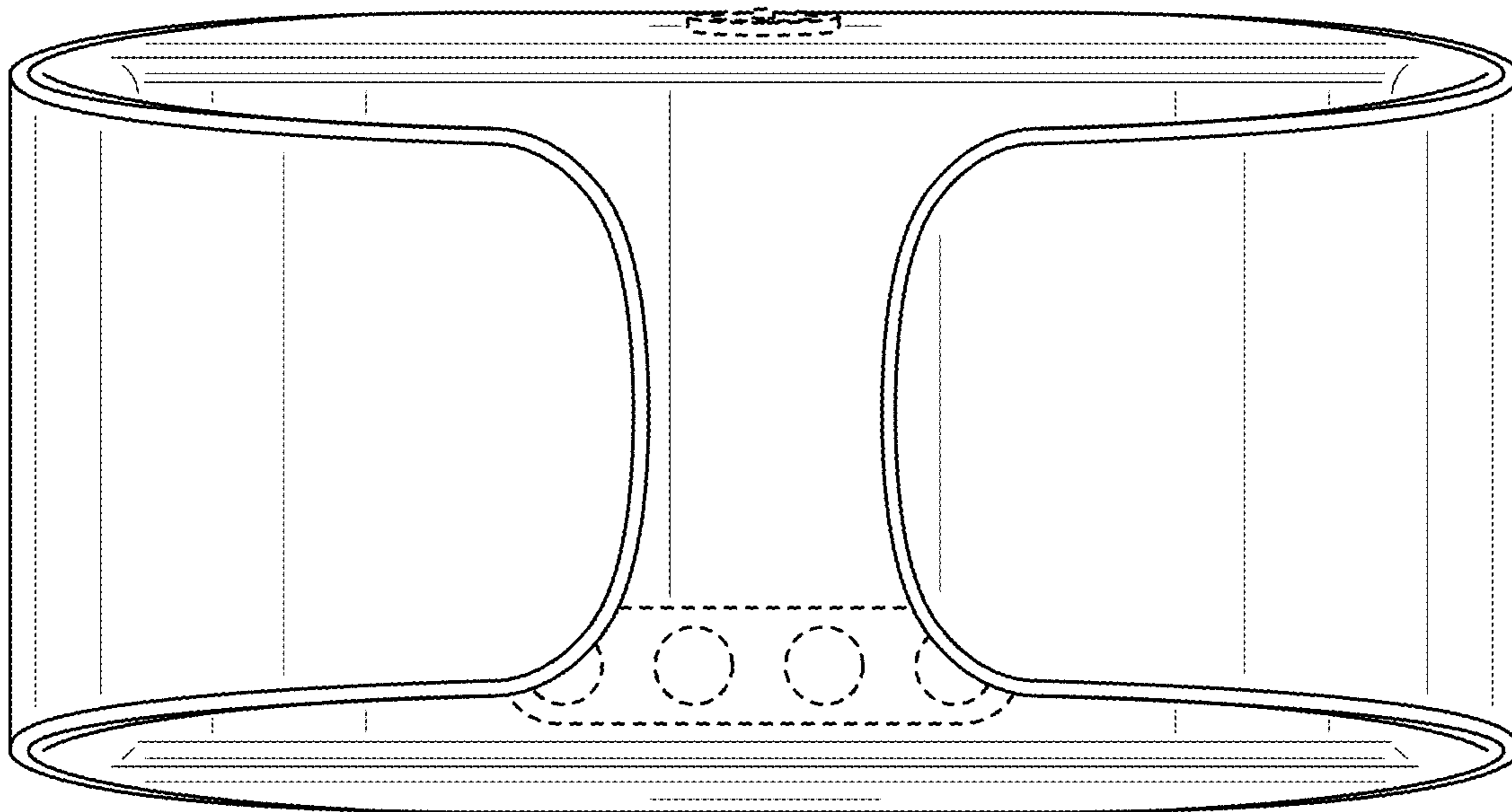


FIG. 8