



US00D820122S

(12) **United States Design Patent** (10) **Patent No.:** **US D820,122 S**  
**Novaro** (45) **Date of Patent:** **\*\* Jun. 12, 2018**

(54) **AIR QUALITY TEST UNIT**

FOREIGN PATENT DOCUMENTS

(71) Applicants: **Luigi Novaro**, Pembroke Pines, FL  
(US); **Randy Miller**, Pembroke Pines,  
FL (US)

CH 684610 10/1994  
KR 20080092192 10/2008

OTHER PUBLICATIONS

(72) Inventor: **Luigi Novaro**, Pembroke Pines, FL  
(US)

Jossam; Jossam Check to Protect; Website (www-jossam.biz),  
2015; 4 pages.

(73) Assignees: **Luigi Novaro**, Pembroke Pines, FL  
(US); **Randy Miller**, Pembroke Pines,  
FL (US)

Prism Analytical Technologies, Inc; Home Air Check; Website  
(www.homeaircheck.com; 2015; 2 pages.

Hopemaru Enterprises, Inc; Website (www.healthgoods.com);  
2015; 7 pages.

Hardy Diagnostics; Compact Dry(TM)YM, Instructions for use;  
www.hardydiagnostics.com; 6 pages.

BD; Phosphate Buffer, www.bd.com; 2 pages.

3M; 3M(TM)Petrifilm Rapid Yeast and Mold Count plates; www.  
3m.com; 2 pages.

(\*\*) Term: **15 Years**

\* cited by examiner

(21) Appl. No.: **29/587,106**

(22) Filed: **Dec. 9, 2016**

*Primary Examiner* — Antoine Duval Davis

(51) **LOC (11) Cl.** ..... **10-04**

(74) *Attorney, Agent, or Firm* — Robert C. Kain, Jr.

(52) **U.S. Cl.**

(57) **CLAIM**

USPC ..... **D10/52**

I claim an ornamental design for air quality test unit, as  
shown and described.

(58) **Field of Classification Search**

USPC ..... D10/52

CPC ..... G01N 1/2247; G01N 33/0011; G01N

2001/227

See application file for complete search history.

**DESCRIPTION**

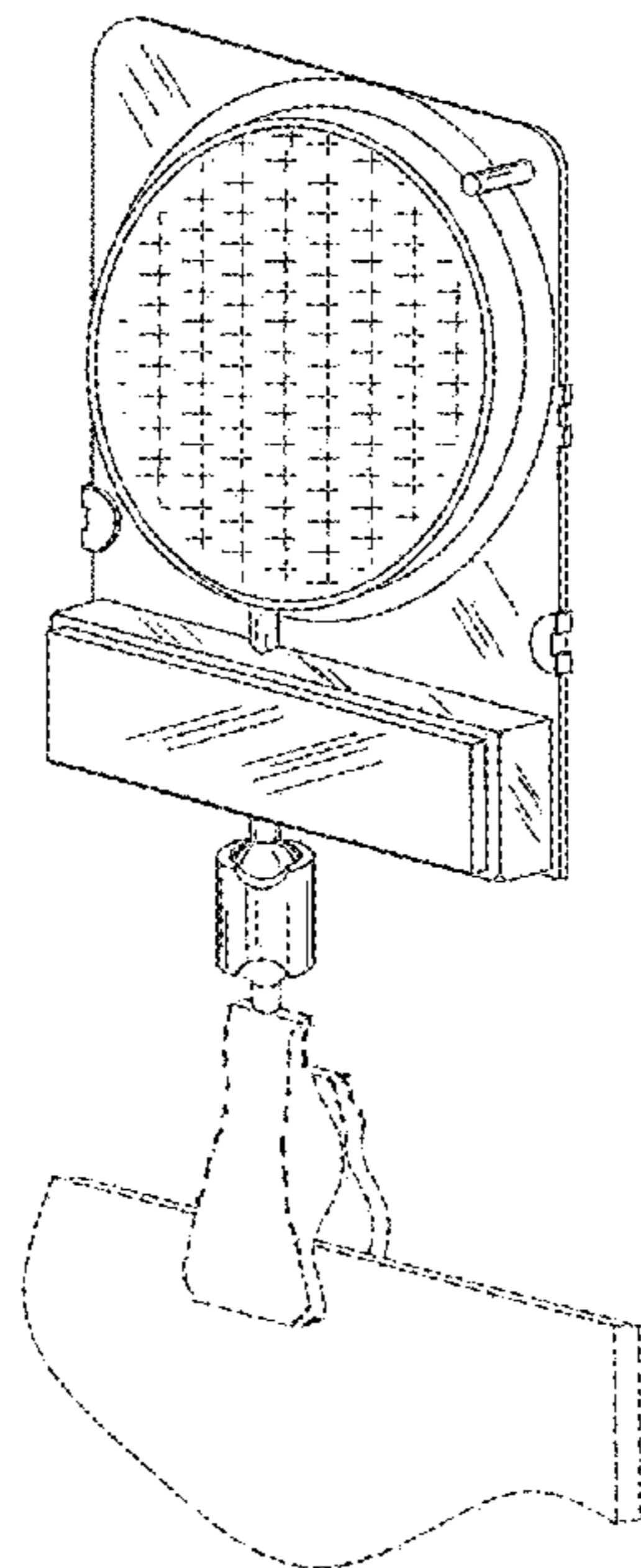
(56) **References Cited**

U.S. PATENT DOCUMENTS

2,079,474 A	5/1937	Walsh	
6,030,427 A	2/2000	Sorice et al.	
6,103,201 A	8/2000	Green	
8,668,758 B2	3/2014	Duello et al.	
D790,367 S *	6/2017	Krafft	..... D10/52

FIG. 1 is a front elevational view of an air quality test unit.  
FIG. 2 is a left side view of the air quality test unit.  
FIG. 3 is a right side view of the air quality test unit.  
FIG. 4 is a rear view of the air quality test unit.  
FIG. 5 is a top view of the air quality test unit.  
FIG. 6 is a bottom view of the air quality test unit; and,  
FIG. 7 is a perspective view of the air quality test unit.  
The broken lines forming no part of the article.

**1 Claim, 7 Drawing Sheets**



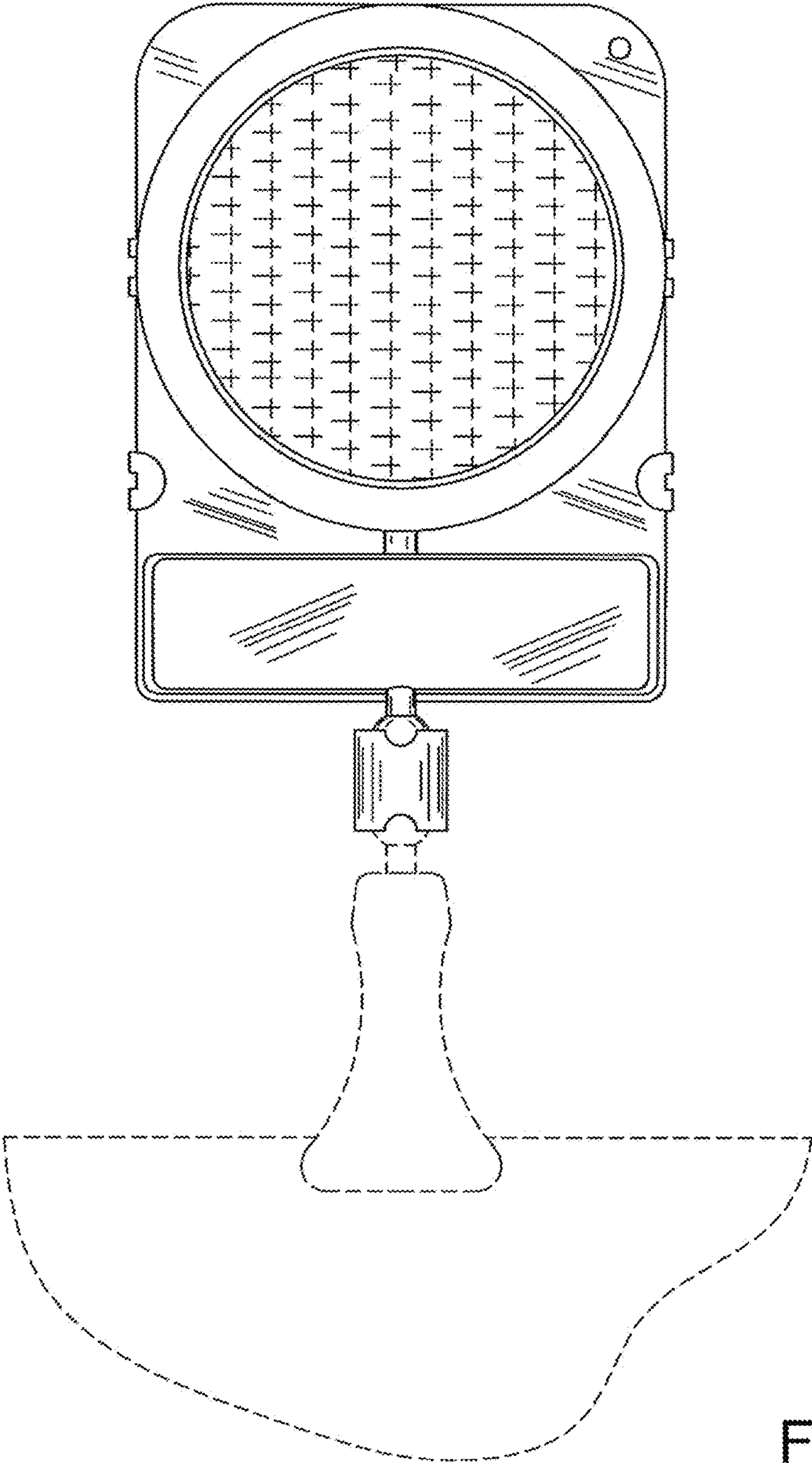


FIG. 1

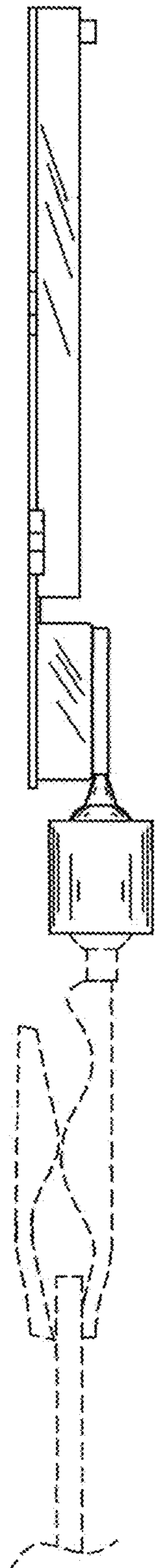


FIG.2

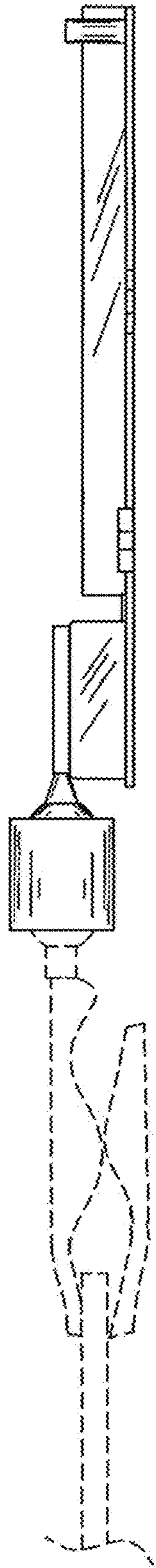


FIG.3

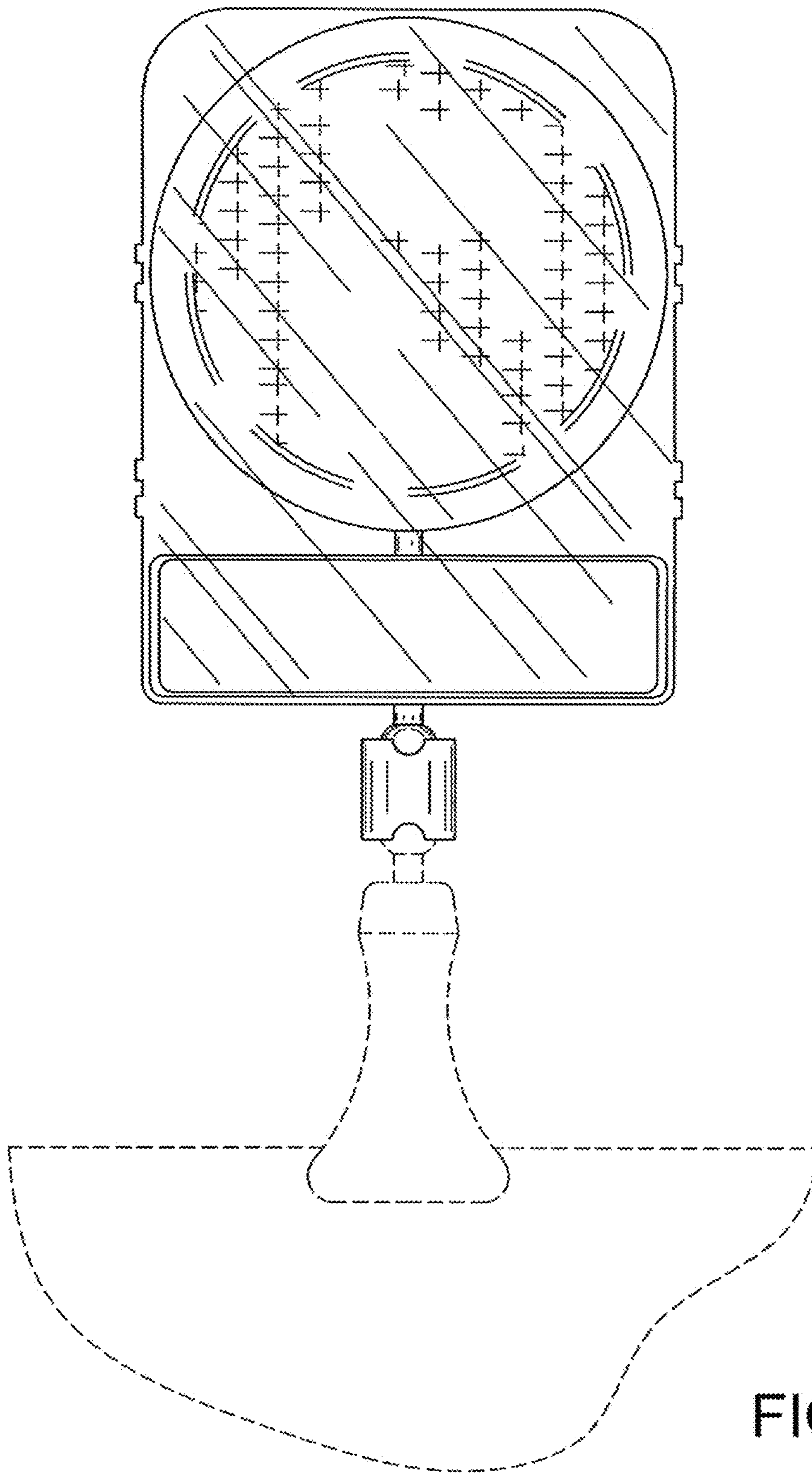


FIG. 4

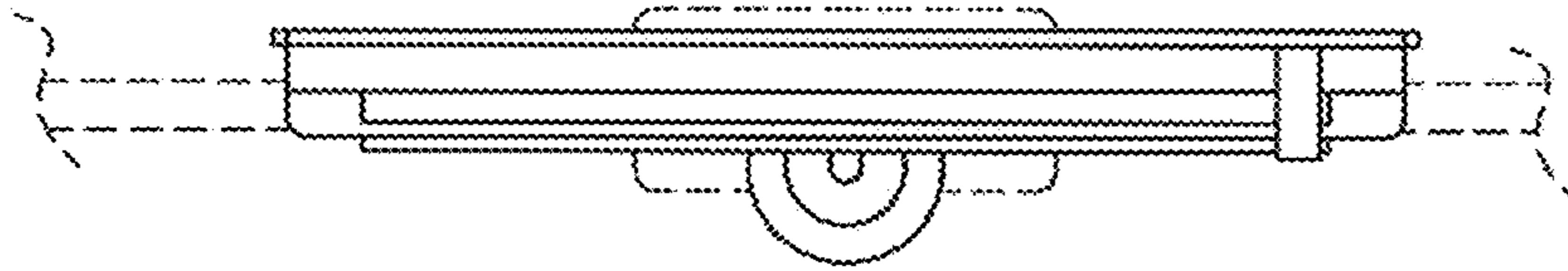


FIG. 5

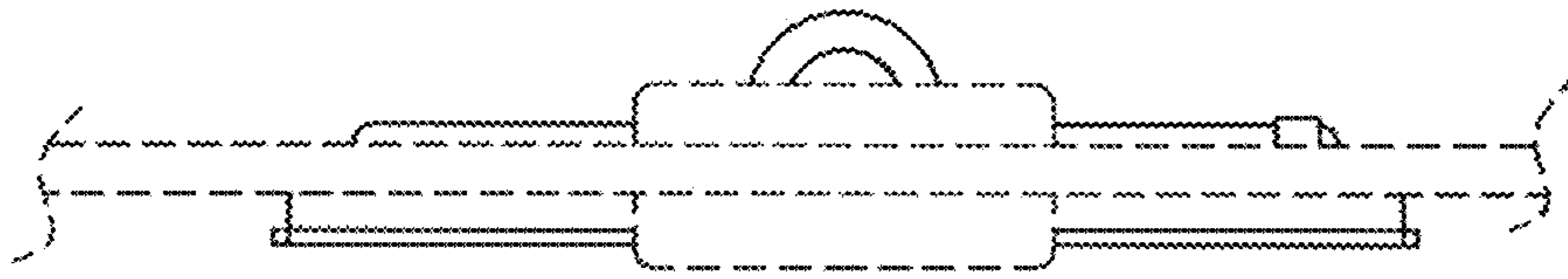


FIG. 6

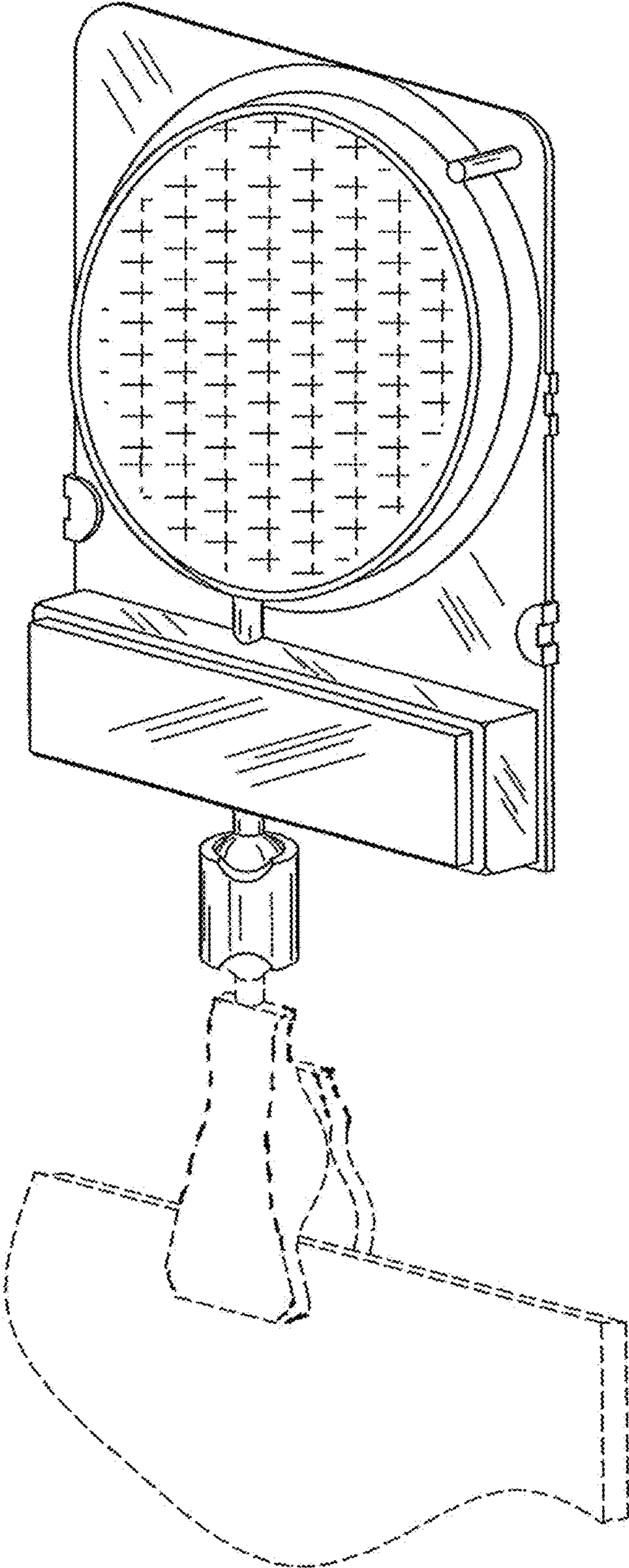


FIG.7