



US00D820120S

(12) **United States Design Patent**
Sekine

(10) **Patent No.:** **US D820,120 S**
(45) **Date of Patent:** **** Jun. 12, 2018**

(54) **TEXTURE MEASURING INSTRUMENT**

- (71) Applicant: **Canon Kabushiki Kaisha**, Ohta-ku, Tokyo (JP)
- (72) Inventor: **Tetsuya Sekine**, Kanagawa-ken (JP)
- (73) Assignee: **Canon Kabushiki Kaisha**, Tokyo (JP)
- (**) Term: **15 Years**
- (21) Appl. No.: **29/595,027**
- (22) Filed: **Feb. 24, 2017**

(30) **Foreign Application Priority Data**

Aug. 30, 2016 (JP) 2016-018415

(51) **LOC (11) Cl.** **10-07**

(52) **U.S. Cl.**
USPC **D10/46**

(58) **Field of Classification Search**

USPC D10/46, 47, 49, 50, 57, 61, 70, 71,
D10/82-87, 90, 97, 100-102, 104.1,
D10/106.2, 106.6, 106.8, 106.9, 106.95,
D10/116.1, 118.2, 121, 122, 125, 126;
D16/237, 238, 239, 248; D21/398, 405;
D24/107, 232; D99/99

CPC F21V 23/0442; Y10S 250/01; Y10S
362/802; G08B 19/00; G08B 29/16

See application file for complete search history.

(56) **References Cited**

U.S. PATENT DOCUMENTS

- D395,835 S * 7/1998 Okuyama D10/78
- D411,831 S 7/1999 Sekine
- D411,986 S 7/1999 Sekine
- D421,229 S * 2/2000 Imai D10/70
- D553,347 S * 10/2007 Cooney D13/164
- D569,072 S * 5/2008 Osiecki D99/28
- D596,604 S * 7/2009 Kang D14/138 AD
- D634,430 S * 3/2011 Osiecki D24/165
- D639,751 S * 6/2011 Tucker D13/168

(Continued)

OTHER PUBLICATIONS

Rhopoint IQ Goniophotometer, posted on novasys.com.au, no posted date given, no production date given, [online], [site visited Nov. 7, 2017], Available from Internet, URL: <https://novasys.com.au/suppliers-q-t/suppliers-q-trhopoint-instruments-uk/> (Year: 2017).*

(Continued)

Primary Examiner — Melanie H Tung
Assistant Examiner — Fitzgerald L Butac
(74) *Attorney, Agent, or Firm* — Fitzpatrick, Cella, Harper & Scinto

(57) **CLAIM**

The ornamental design for a texture measuring instrument, as shown and described.

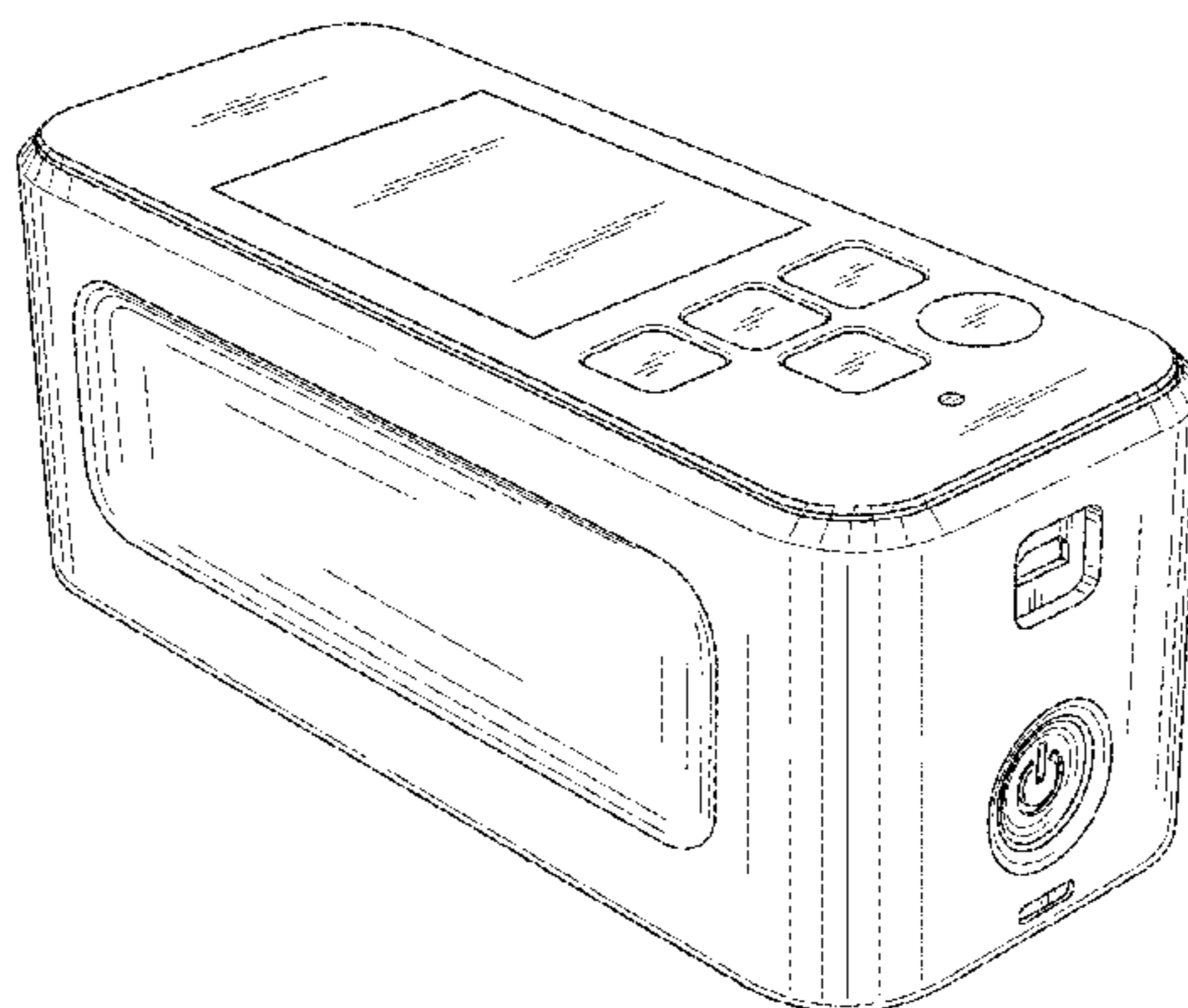
DESCRIPTION

FIG. 1 is a front view of a texture measuring instrument showing my new design;
FIG. 2 is a rear view thereof;
FIG. 3 is a top plan view thereof;
FIG. 4 is a bottom plan view thereof;
FIG. 5 is a left side view thereof;
FIG. 6 is a right side view thereof;
FIG. 7 is a front perspective view thereof;
FIG. 8 is a bottom perspective view thereof;
FIG. 9 is another bottom perspective view thereof; and,
FIG. 10 is a perspective view of the texture measuring instrument on a dedicated keeping stand.

The broken lines showing a keeping stand in FIG. 10 are for environmental purposes only, and form no part of the claimed design.

The broken lines shown in FIG. 8 depict portions of the texture measuring instrument that form no part of the claimed design.

1 Claim, 10 Drawing Sheets



(56)

References Cited

U.S. PATENT DOCUMENTS

D660,809	S	*	5/2012	Kern Koskela	D13/168
D667,740	S	*	9/2012	Leung	D10/50
D670,811	S	*	11/2012	Fukuzawa	D24/169
D673,062	S	*	12/2012	Marzynski	D10/70
D675,118	S	*	1/2013	Shigeno	D10/70
D686,731	S	*	7/2013	Oka	D24/169
D695,391	S	*	12/2013	Takemoto	D24/113
D695,396	S	*	12/2013	Tani	D24/113
D700,319	S	*	2/2014	Tani	D24/113
D703,157	S	*	4/2014	Parsons	D13/164
D705,684	S	*	5/2014	Takahashi	D10/98
D723,007	S	*	2/2015	Oh	D14/218
D724,223	S	*	3/2015	Nishiyama	D24/169
D750,263	S	*	2/2016	Shigeno	D24/200
D790,376	S	*	6/2017	Peng	D10/81
D796,977	S	*	9/2017	Yokoyama	D10/78
D801,525	S	*	10/2017	Ohno	D24/138

OTHER PUBLICATIONS

TAMS, posted on konicaminolta.eu, no posted date given, no production date given, [online], [site visited Nov. 7, 2017], Available from Internet, URL: <https://www.konicaminolta.eu/en/measuring-instruments/products/gloss-appearance-measurement/appearance-measurement/rhopoint-tams/introduction.html> (Year: 2017).*

Pantone Capsure, posted on amazon.com, Aug. 14, 2013, no production date given, [online], [site visited Nov. 7, 2017], Available from Internet, URL: https://www.amazon.com/dp/B00F2FQ7VY/ref=asc_df_B00F2FQ7VY5253980/?tag=hyprod-20&creative=394997&creativeASIN=B00F2FQ7VY&linkCode=df0&hvadid=193184886 (Year: 2013).*

Spectrophotometer, posted on konicaminolta.asia, Sep. 28, 2016, no production date given, [online], [site visited Nov. 7, 2017], Available from Internet, URL: <http://sensing.konicaminolta.asia/2016/09/09282016-press-release/> (Year: 2016).*

* cited by examiner

FIG. 1

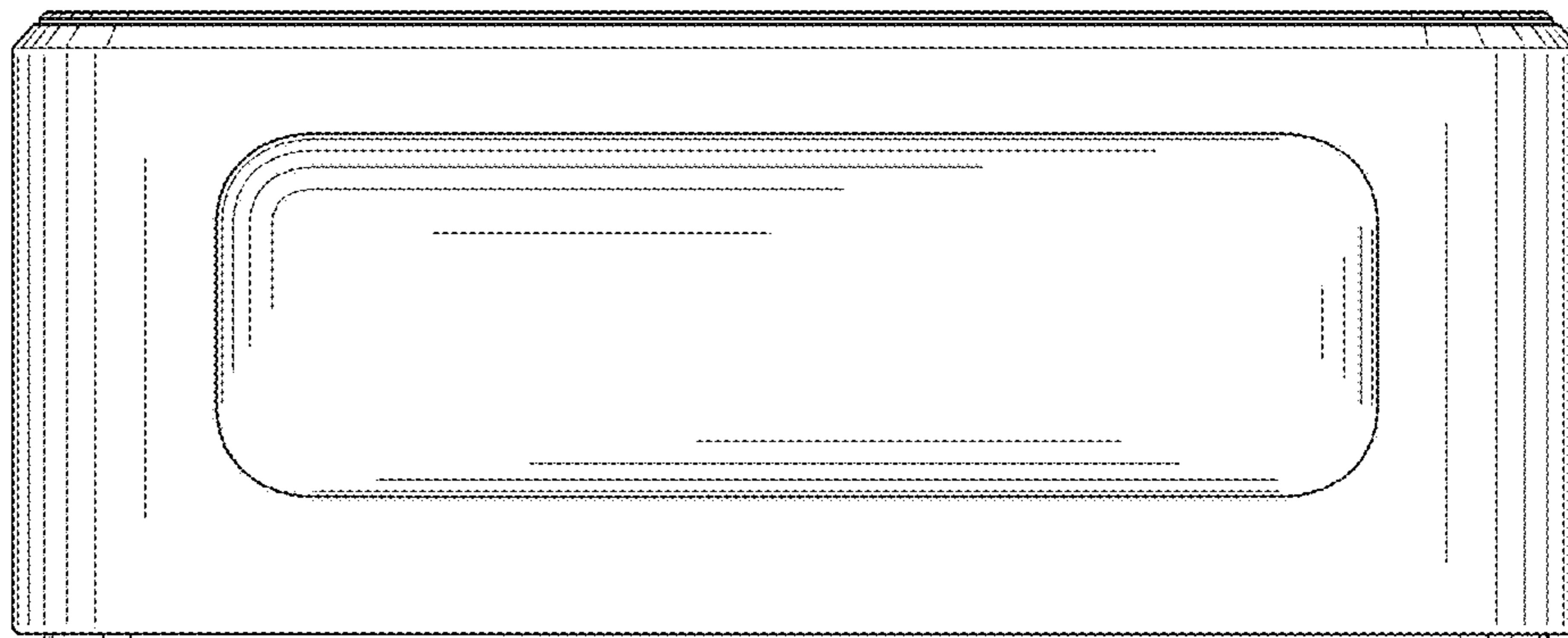


FIG. 2

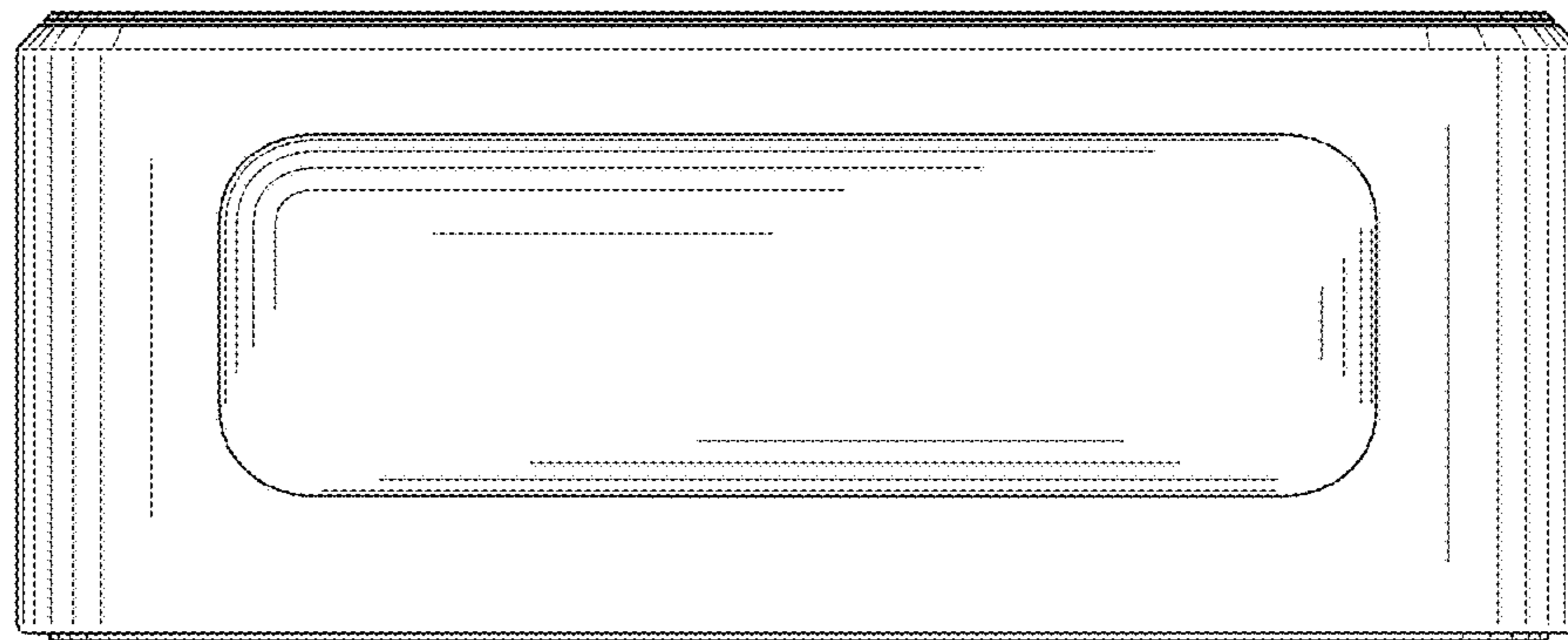


FIG. 3

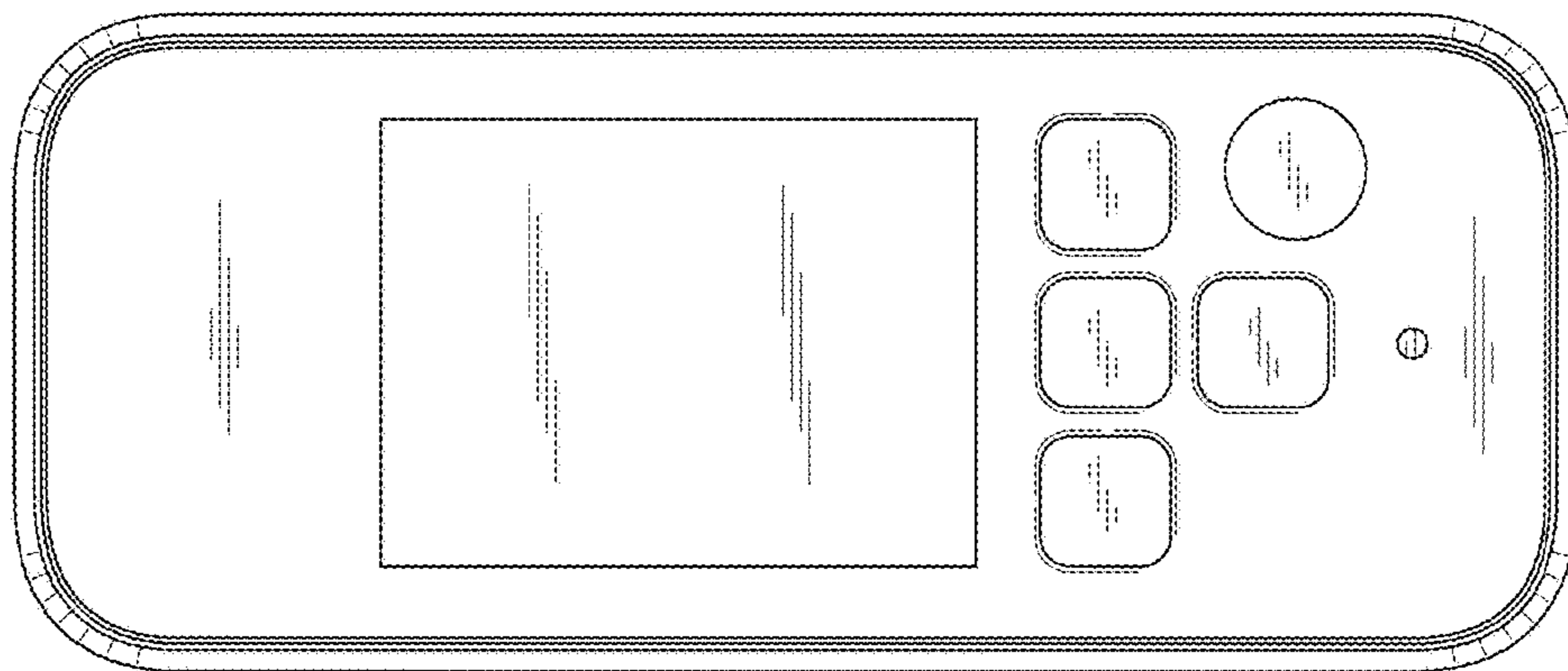


FIG. 4

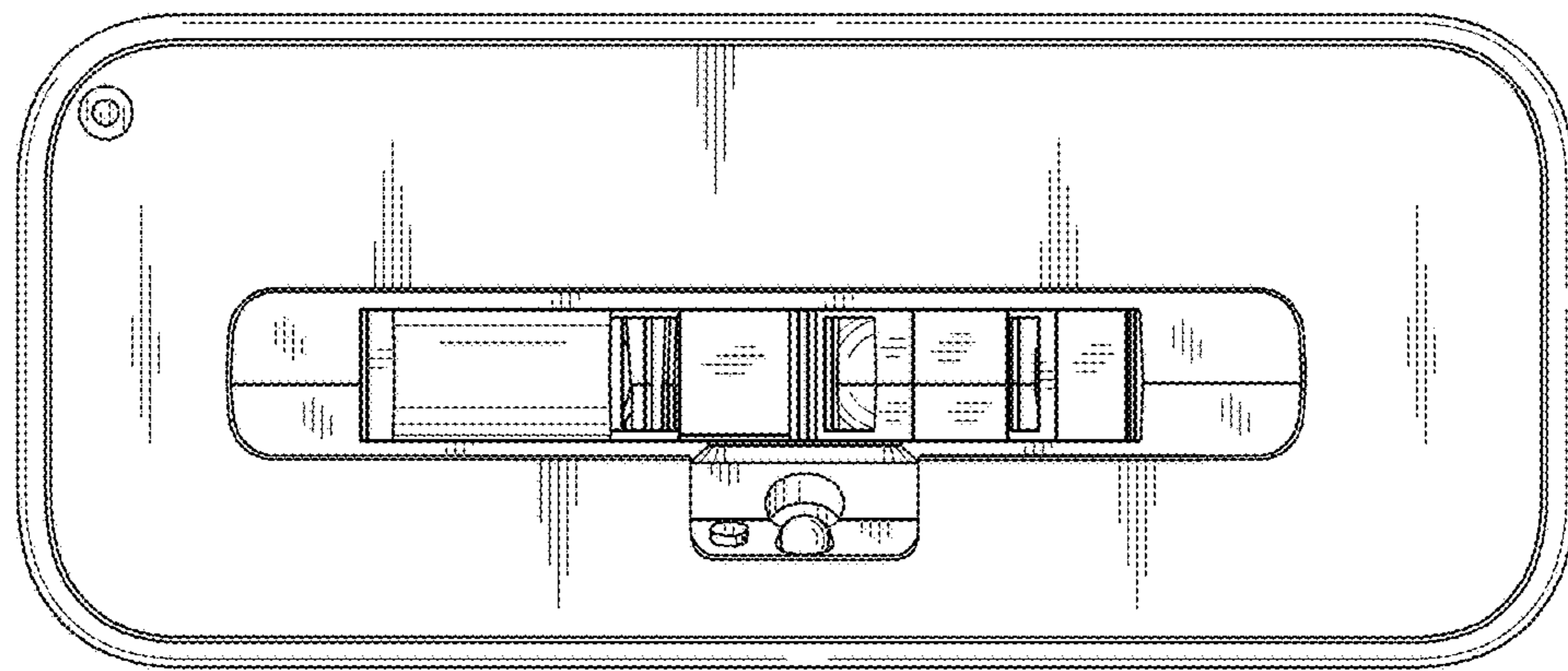


FIG. 5

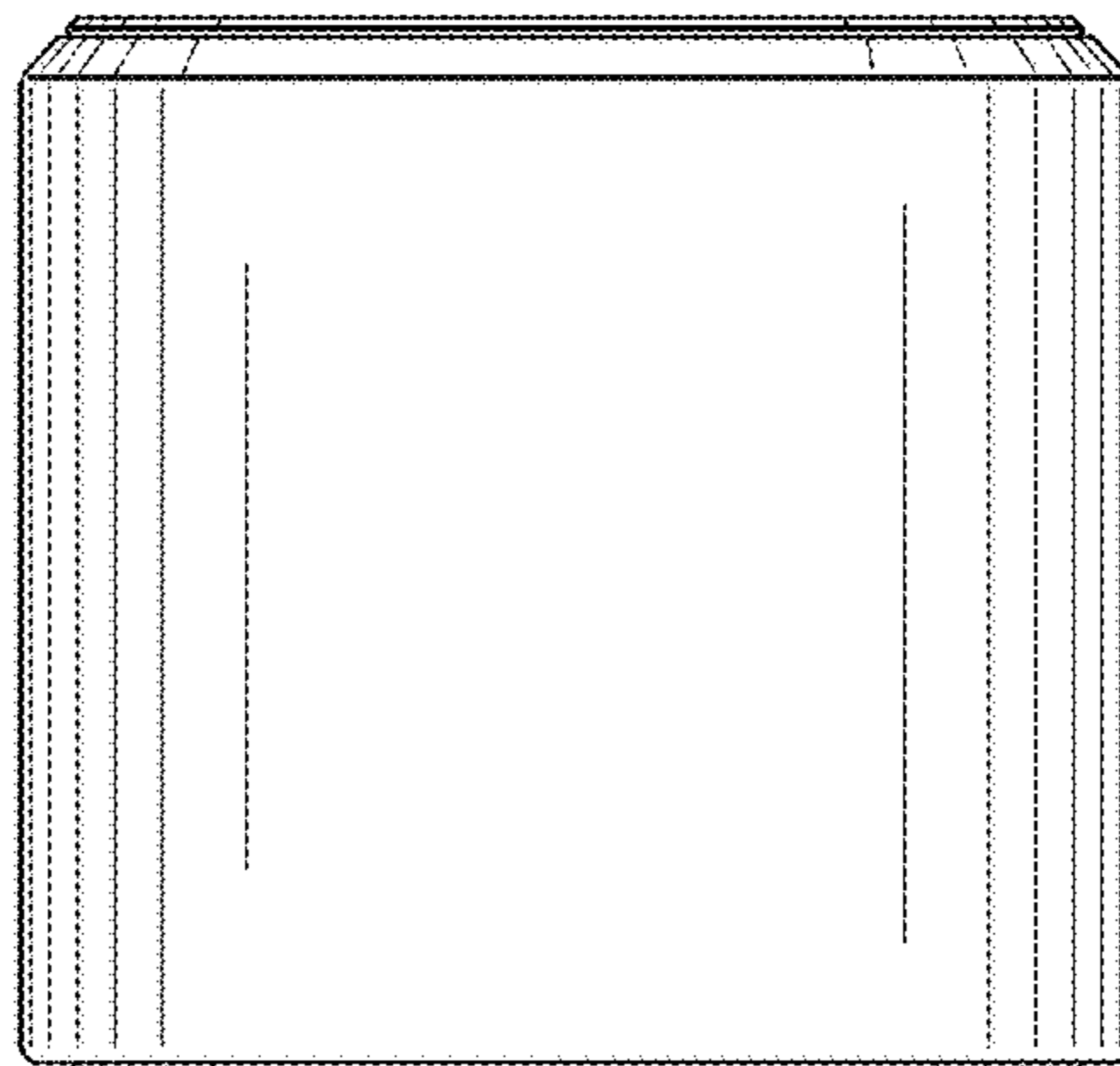


FIG. 6

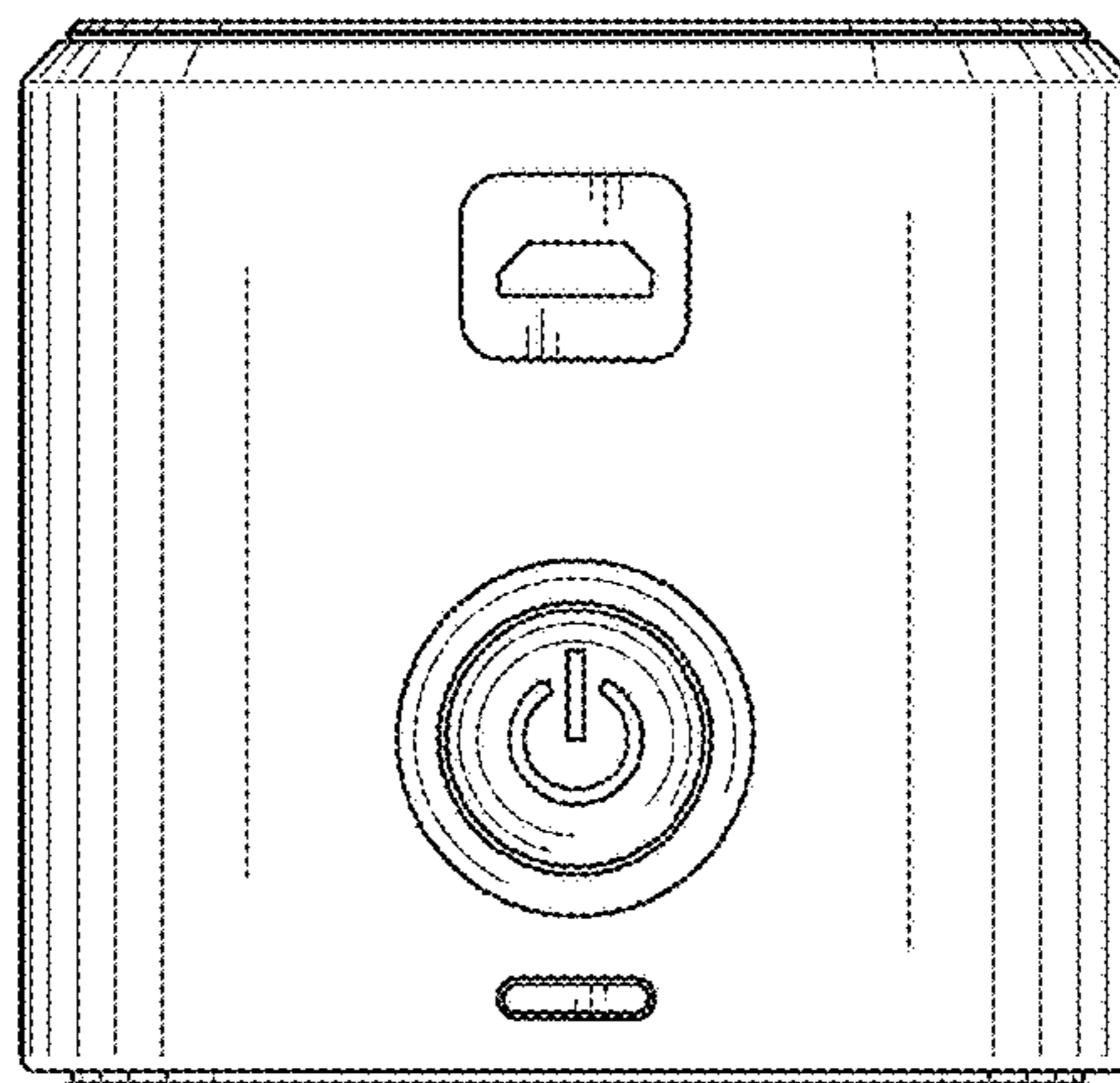


FIG. 7

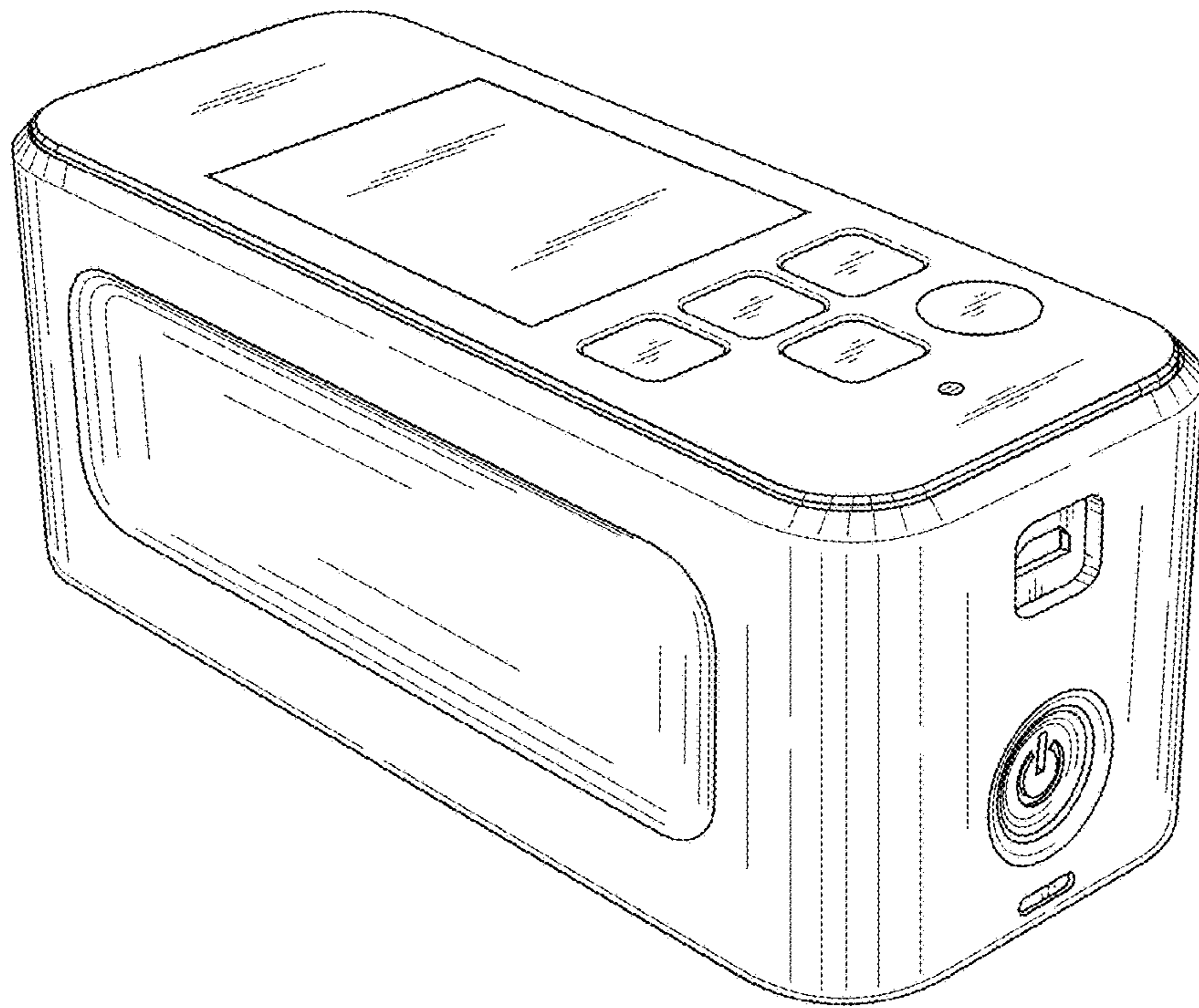


FIG. 8

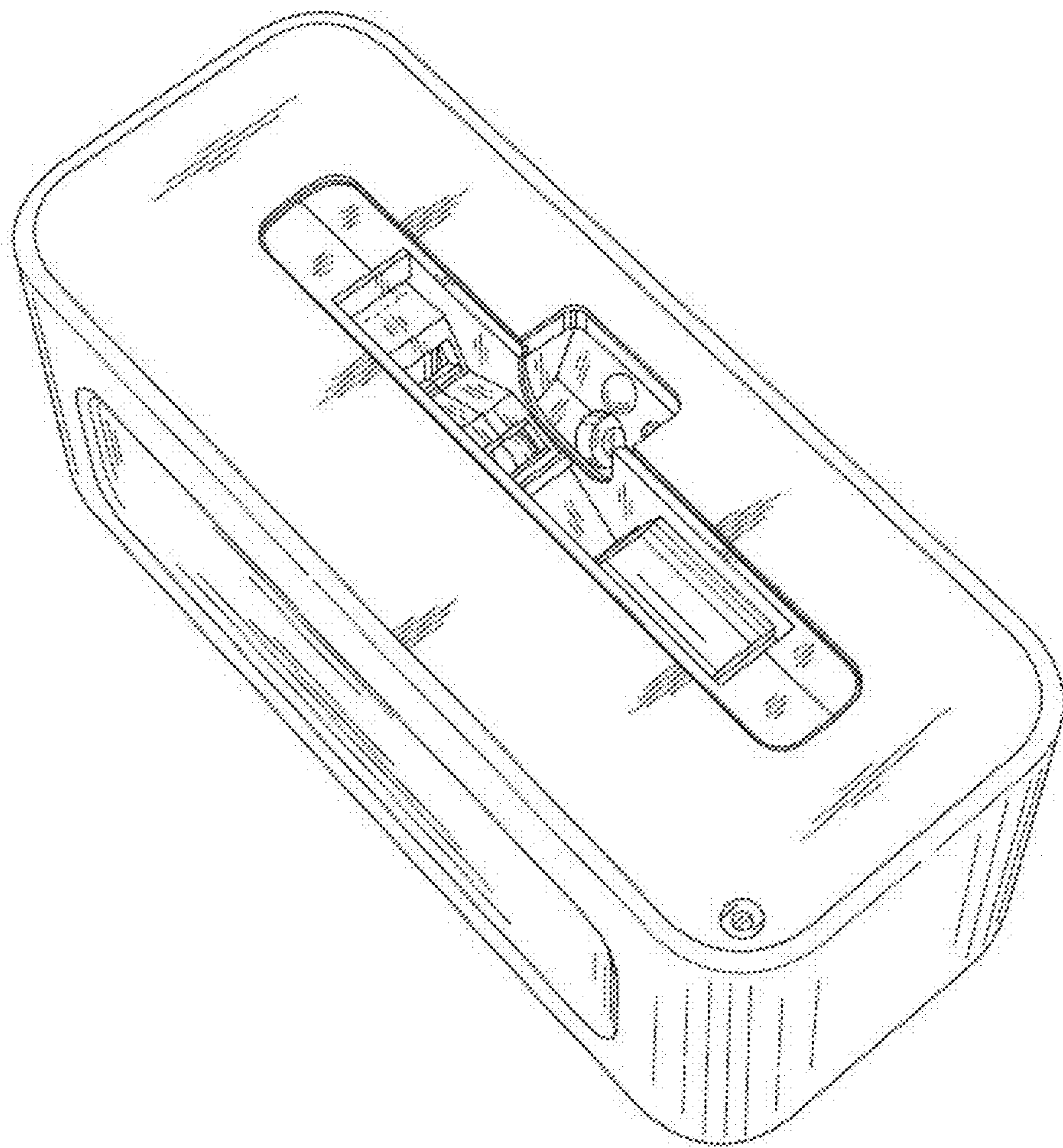


FIG. 9

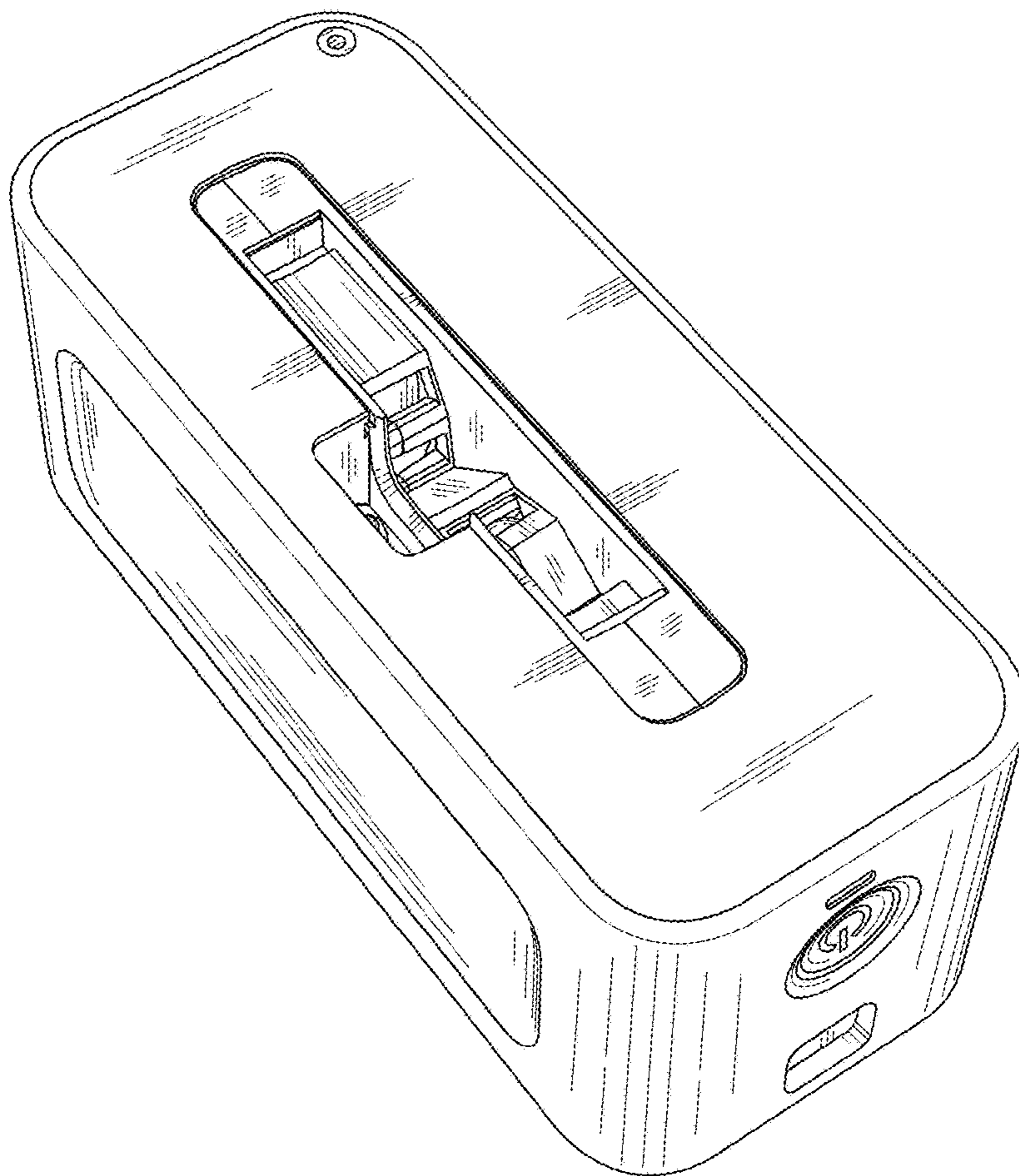


FIG. 10

