



US00D820119S

(12) **United States Design Patent**
Mille

(10) **Patent No.:** **US D820,119 S**

(45) **Date of Patent:** **** Jun. 12, 2018**

(54) **WATCH**

(71) Applicant: **Turlen Holding SA**, Les Breuleux (CH)

(72) Inventor: **Richard Mille**, Moulins (FR)

(73) Assignee: **TURLEN HOLDING SA**, Les Breuleux (CH)

(**) Term: **15 Years**

(21) Appl. No.: **29/610,515**

(22) Filed: **Jul. 13, 2017**

(30) **Foreign Application Priority Data**

May 5, 2017 (WO) 3283601

(51) **LOC (11) Cl.** **10-02**

(52) **U.S. Cl.**
USPC **D10/39**

(58) **Field of Classification Search**
USPC D10/1-3, 6, 14-16, 23, 30-39, 41, 65,
D10/70; D11/3, 14, 31, 52; D14/171,
D14/344; D24/167, 186; D6/308, 310
See application file for complete search history.

(56) **References Cited**

U.S. PATENT DOCUMENTS

- 2,040,421 A * 5/1936 Almquist G04B 19/21
368/78
- 3,024,590 A * 3/1962 Wynne G04B 17/00
116/284
- 3,597,918 A * 8/1971 Robinson G04C 17/0008
368/222
- 3,685,282 A * 8/1972 Kock G04B 15/00
368/131
- 3,721,086 A * 3/1973 Flumm G04C 17/0075
235/91 R
- D390,127 S * 2/1998 Kennedy D10/32

- 5,757,731 A * 5/1998 Rosenberg G04C 3/001
368/223
- D456,274 S * 4/2002 Mille D10/30
- D570,710 S * 6/2008 Wong D10/30
- D581,290 S * 11/2008 Corchado D10/32
- D590,278 S * 4/2009 Holtzman D10/39
- D592,979 S * 5/2009 Arabo D10/38
- D596,051 S * 7/2009 Mille D10/38
- D606,888 S * 12/2009 Mille D10/38
- D616,312 S * 5/2010 Ellia D10/39

(Continued)

OTHER PUBLICATIONS

Richard Mille RM 70-01 Alain Prost | posted at deployant.com Oct. 9, 2017 [online][stie visited Apr. 11, 2018]. available from internet: <<https://www.deployant.com/new-release-richard-mille-rm-70-01-tourbillon-alain-prost/>> (Year: 2017).*

Primary Examiner — Sandra S Snapp

Assistant Examiner — Katherine Glennon

(74) *Attorney, Agent, or Firm* — Donald J. Ranft; Collen

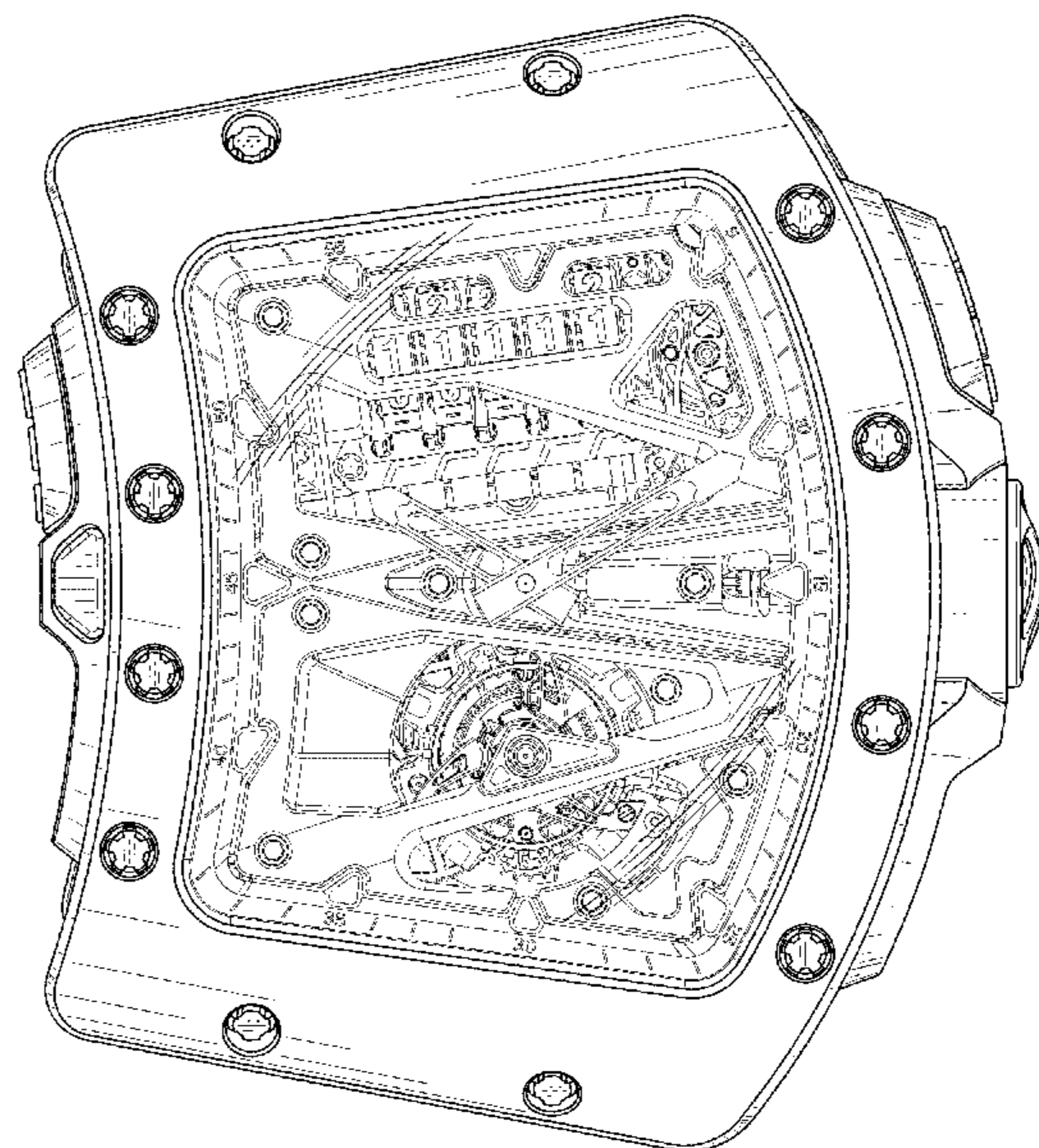
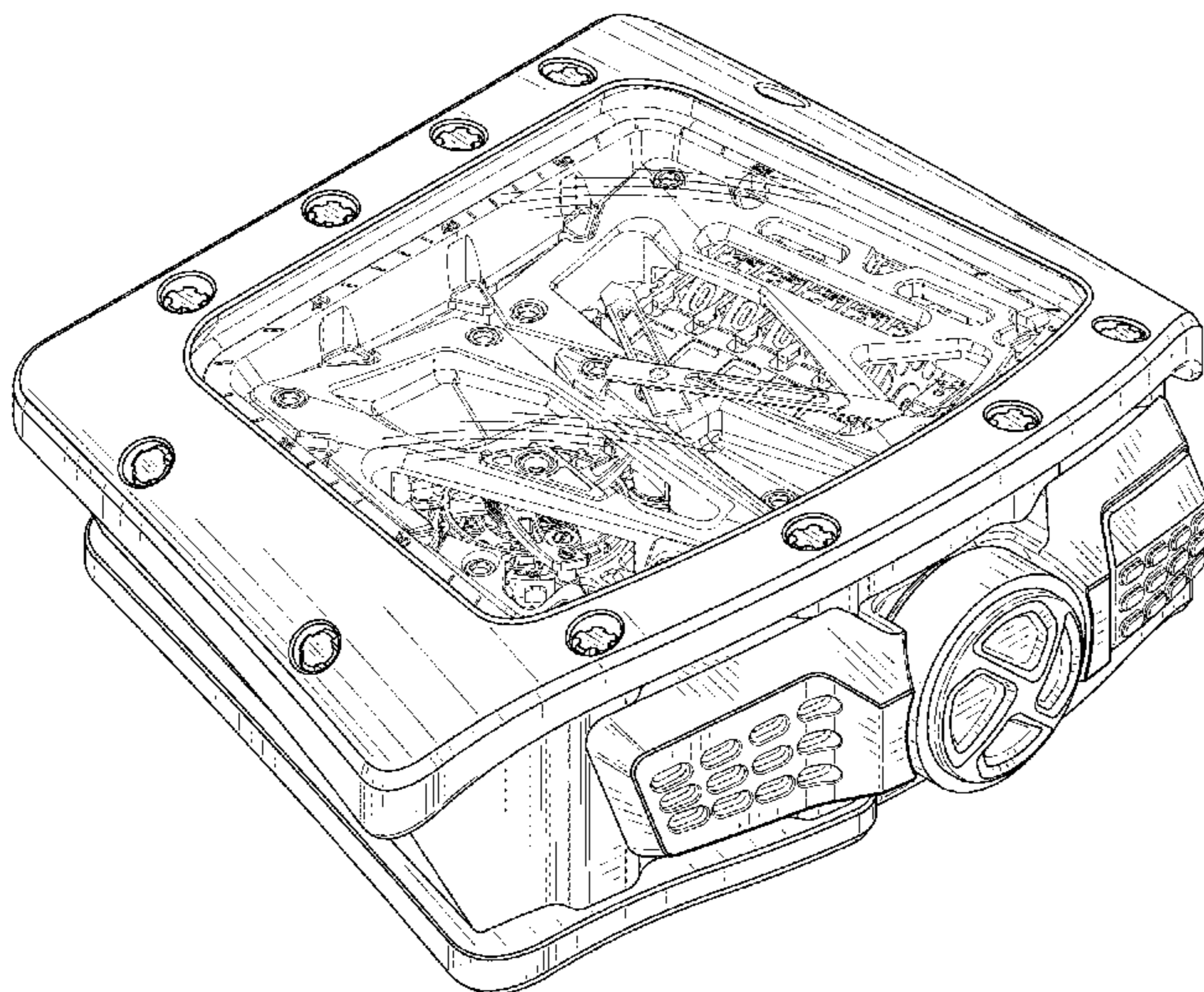
(57) **CLAIM**

The ornamental design for a watch, as shown.

DESCRIPTION

FIG. 1 is a front right perspective view of a watch showing my new design;
FIG. 2 is a rear left perspective view thereof;
FIG. 3 is a front view thereof;
FIG. 4 is a rear view thereof;
FIG. 5 is a left side view thereof;
FIG. 6 is a right side view thereof;
FIG. 7 is a top view thereof;
FIG. 8 is a bottom view thereof;
FIG. 9 is a front left perspective view thereof; and,
FIG. 10 is a rear right perspective view thereof.

1 Claim, 8 Drawing Sheets



(56)

References Cited

U.S. PATENT DOCUMENTS

| | | | | |
|--------------|------|---------|-----------------|------------------------|
| D617,211 | S * | 6/2010 | Grimoldi | D10/38 |
| D624,439 | S * | 9/2010 | Wunderman | D10/32 |
| D631,375 | S * | 1/2011 | Wilbur | D10/38 |
| D658,516 | S * | 5/2012 | Mille | D10/39 |
| D660,184 | S * | 5/2012 | Calce | D10/32 |
| D663,220 | S * | 7/2012 | Mouclier | D10/1 |
| D710,216 | S * | 8/2014 | Mille | D10/38 |
| D714,662 | S * | 10/2014 | Mille | D10/39 |
| D715,164 | S * | 10/2014 | Tedeschi | D10/128 |
| 8,956,041 | B2 * | 2/2015 | Forsey | G04B 17/285 368/127 |
| D731,900 | S * | 6/2015 | Mille | D10/125 |
| D732,406 | S * | 6/2015 | Mille | D10/125 |
| D736,653 | S * | 8/2015 | Mille | D10/39 |
| D737,693 | S * | 9/2015 | Mille | D10/39 |
| D742,255 | S * | 11/2015 | Miodrag | D10/124 |
| D755,646 | S * | 5/2016 | Mille | D10/125 |
| D772,082 | S * | 11/2016 | Perret | D10/30 |
| D790,991 | S * | 7/2017 | Mille | D10/30 |
| D799,342 | S * | 10/2017 | Mille | D10/30 |
| 2005/0201209 | A1 * | 9/2005 | Golay | G04B 17/285 368/127 |
| 2006/0181962 | A1 * | 8/2006 | Besse | G04B 17/285 368/127 |
| 2011/0103195 | A1 * | 5/2011 | Wilbur | G04B 19/207 368/76 |

* cited by examiner

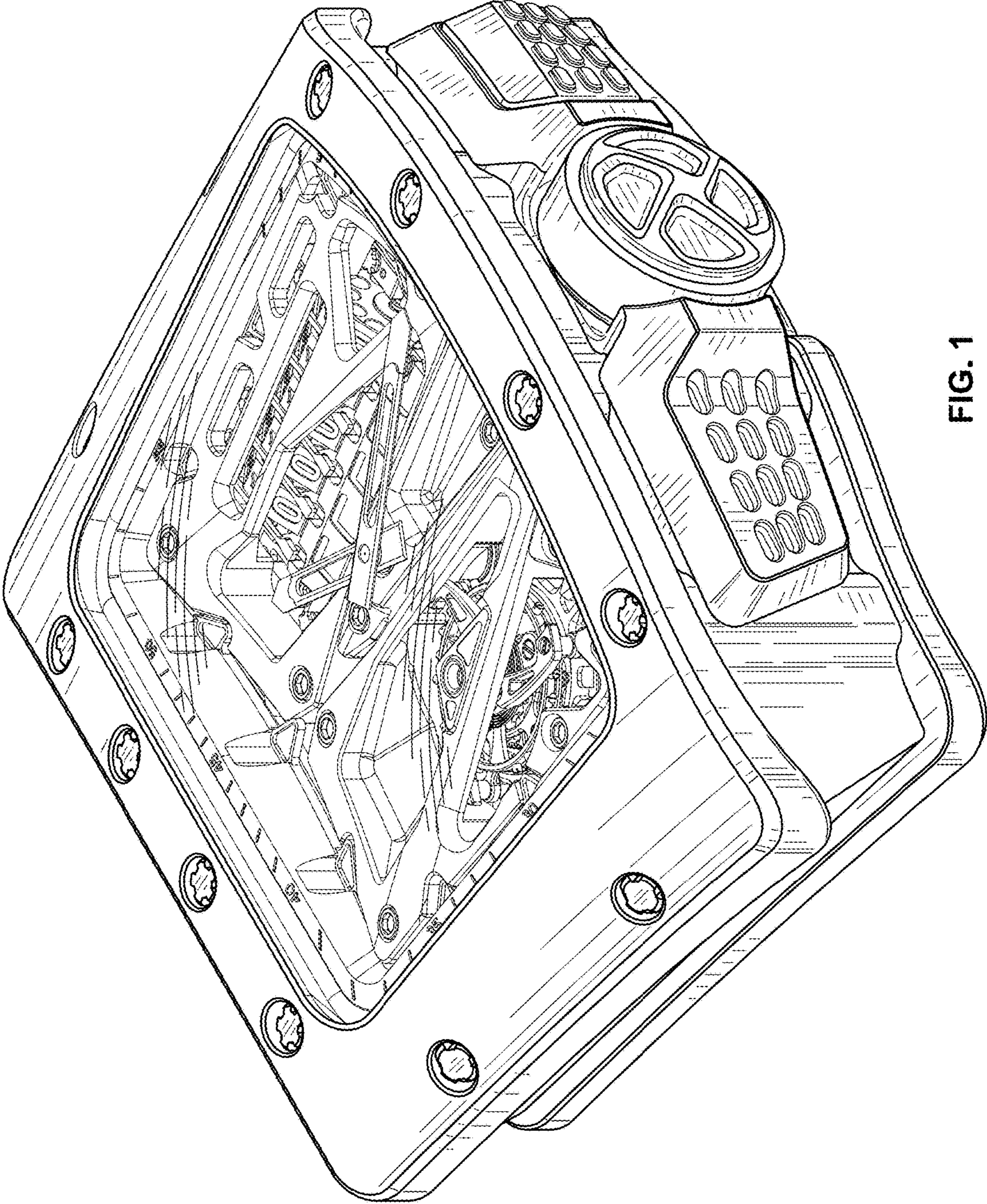


FIG. 1

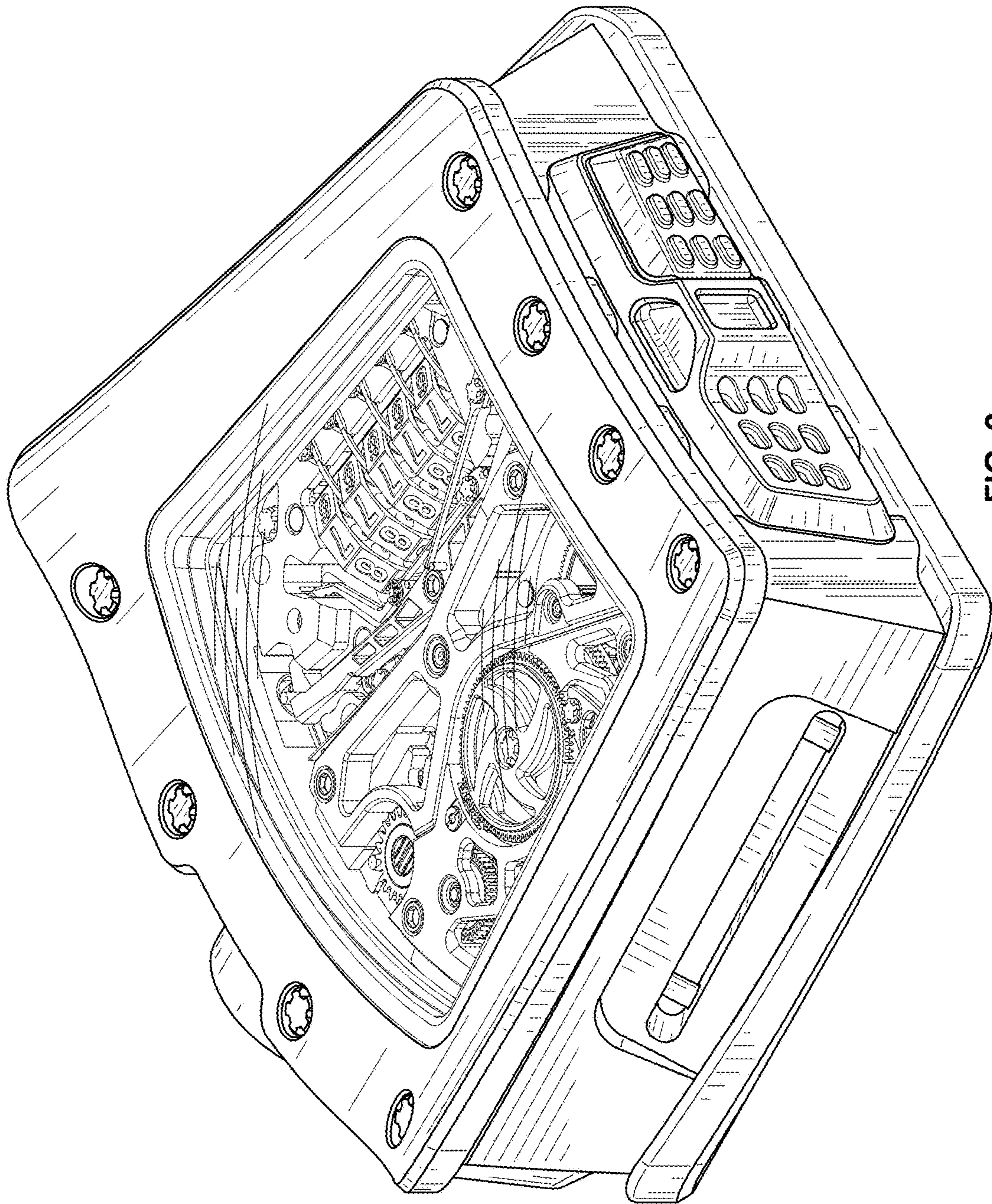


FIG. 2

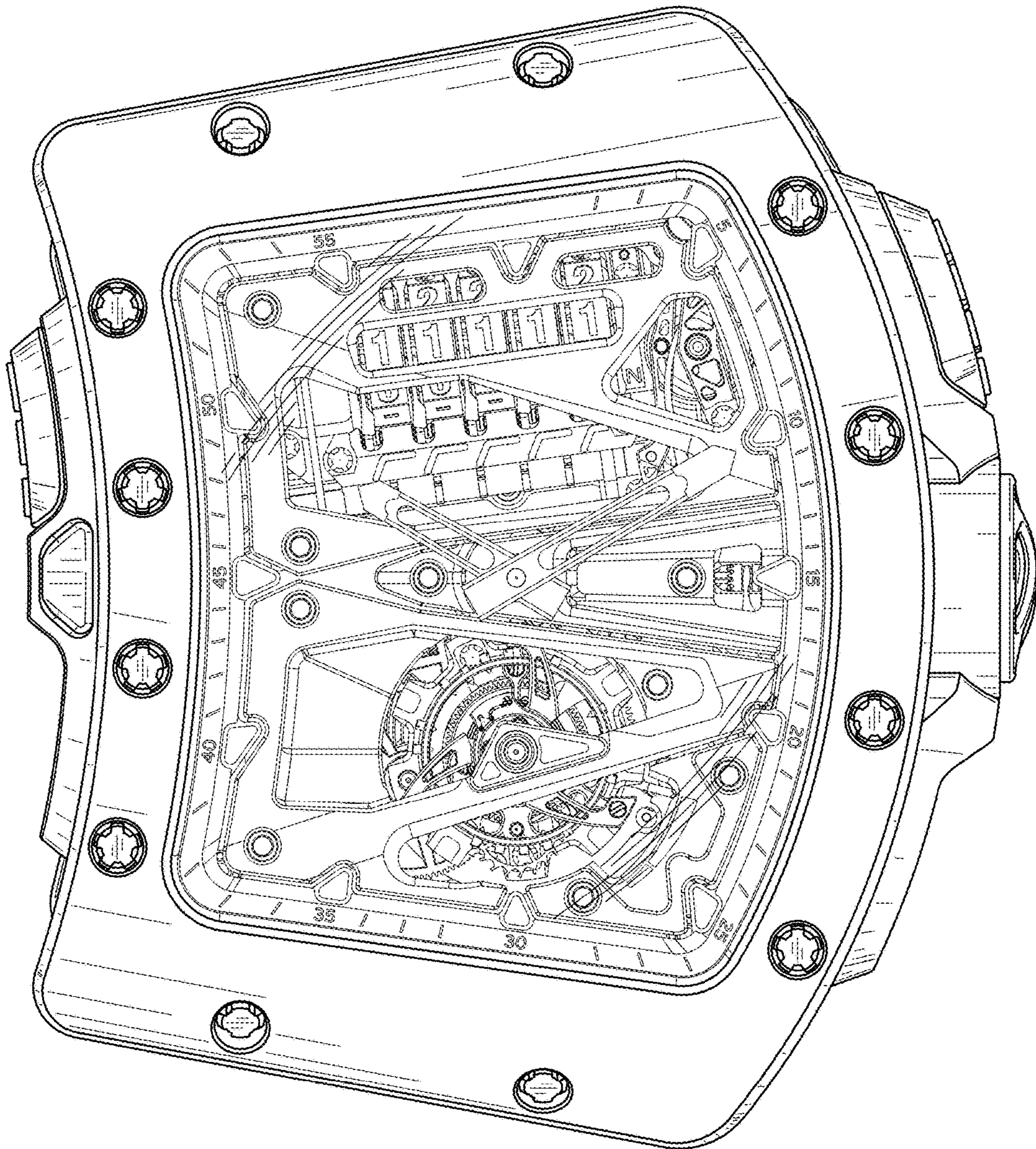


FIG. 3

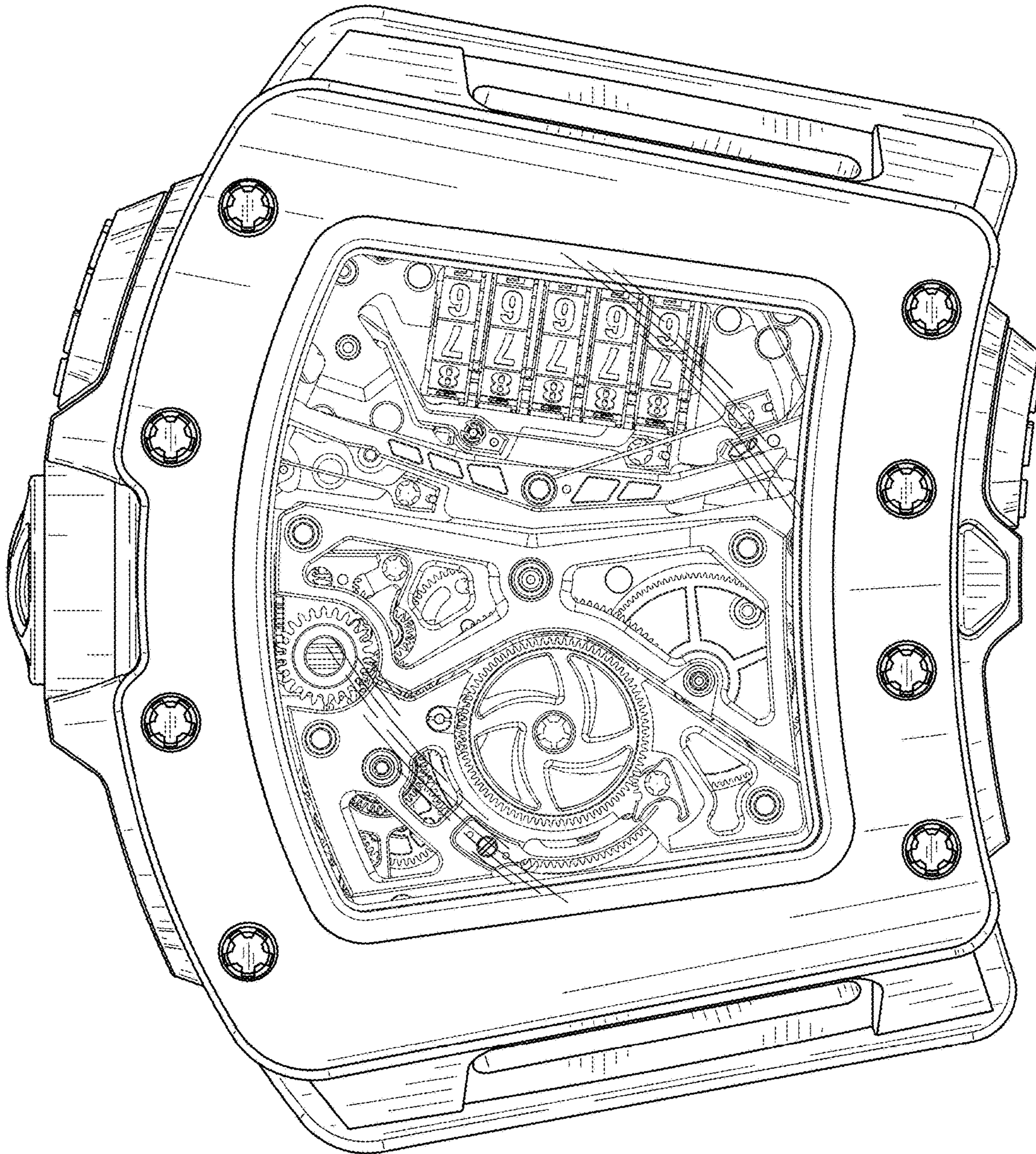


FIG. 4

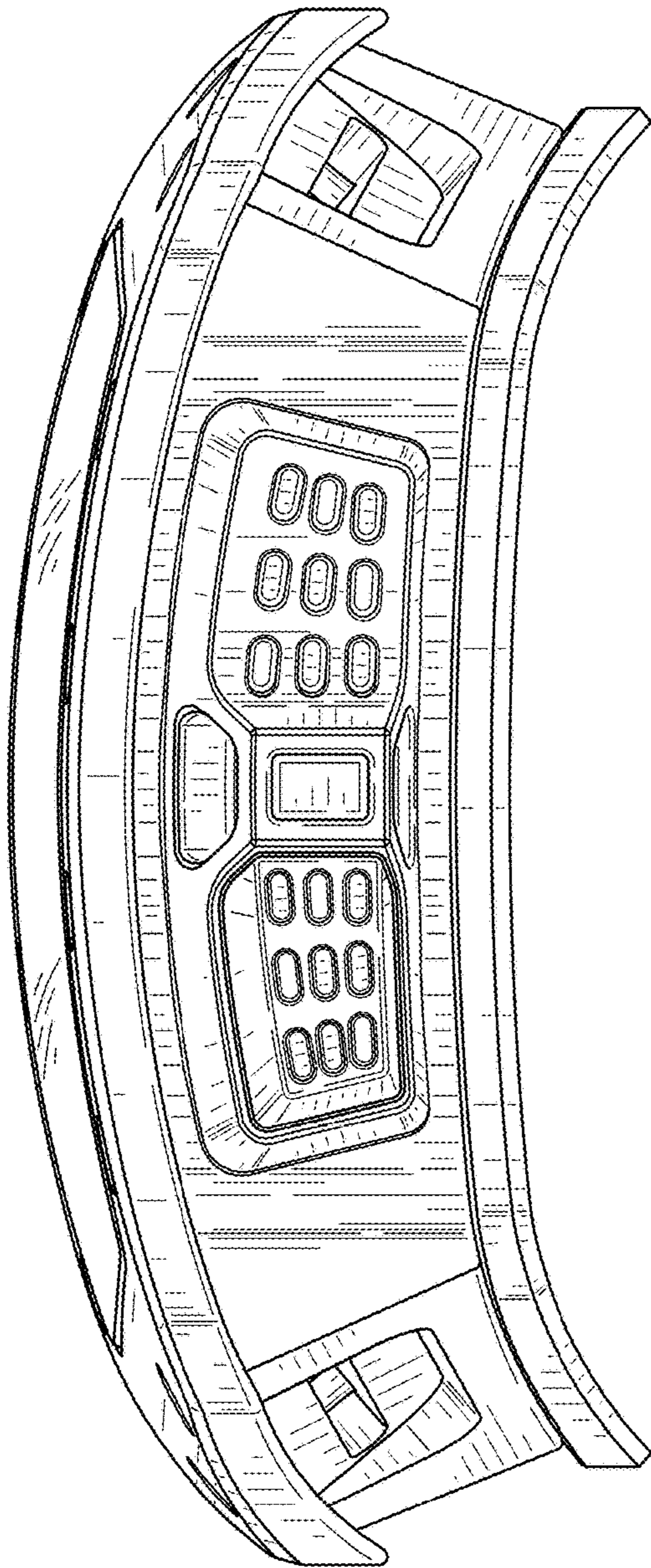


FIG. 5

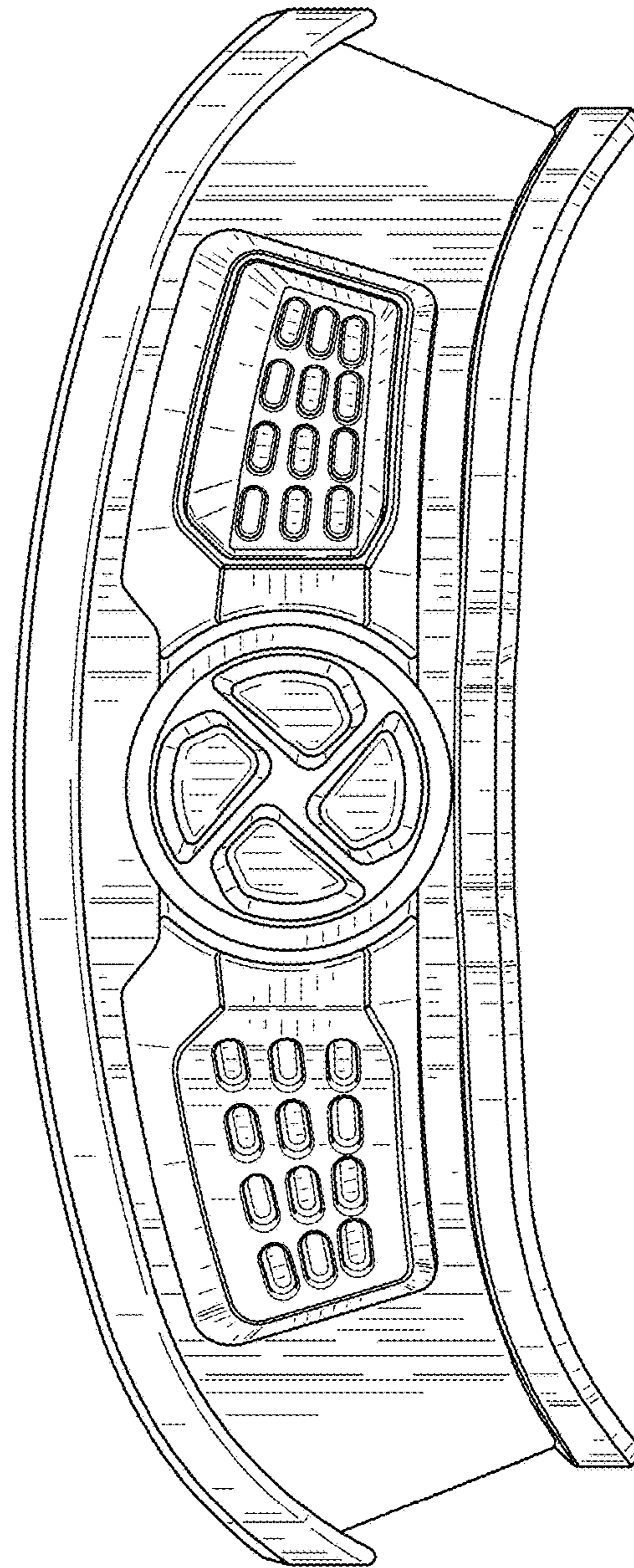


FIG. 6

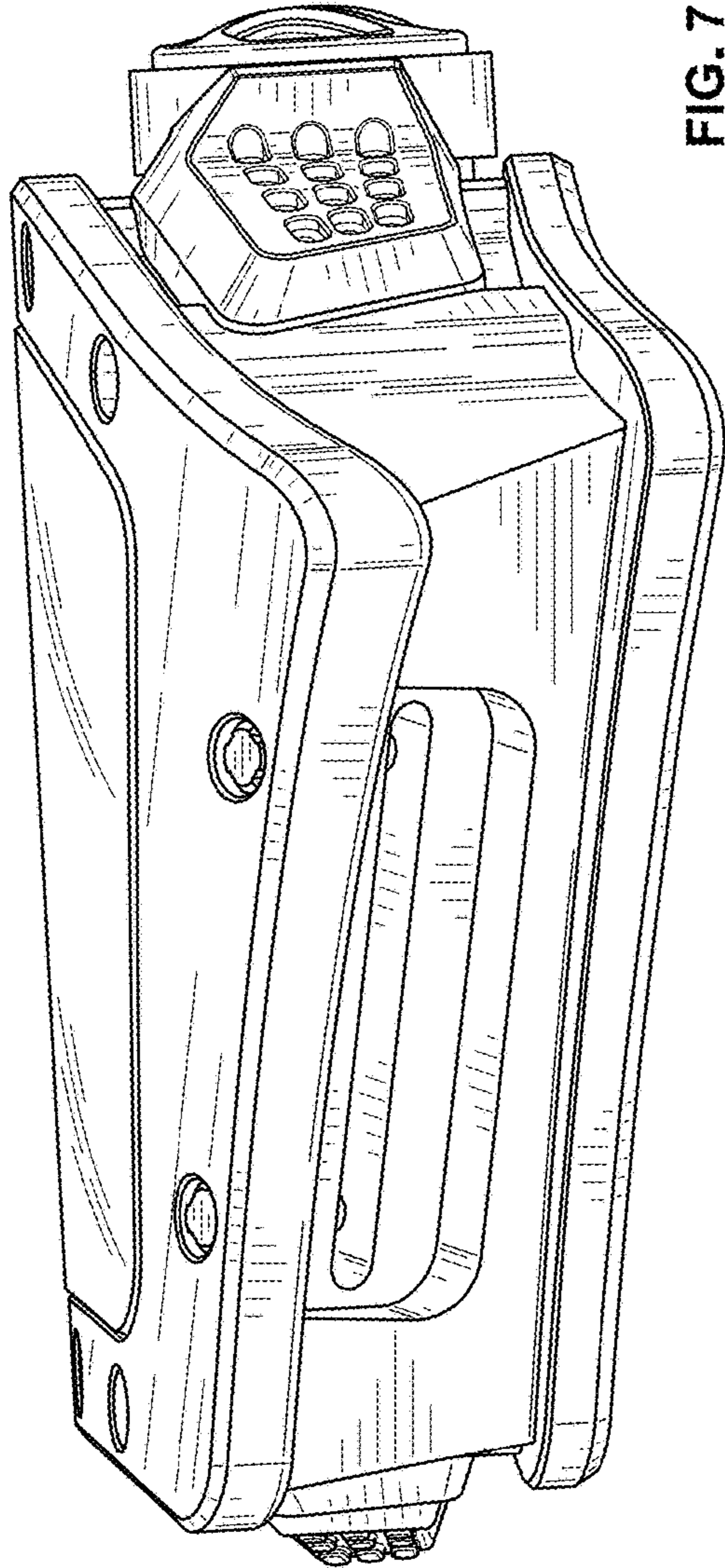


FIG. 7

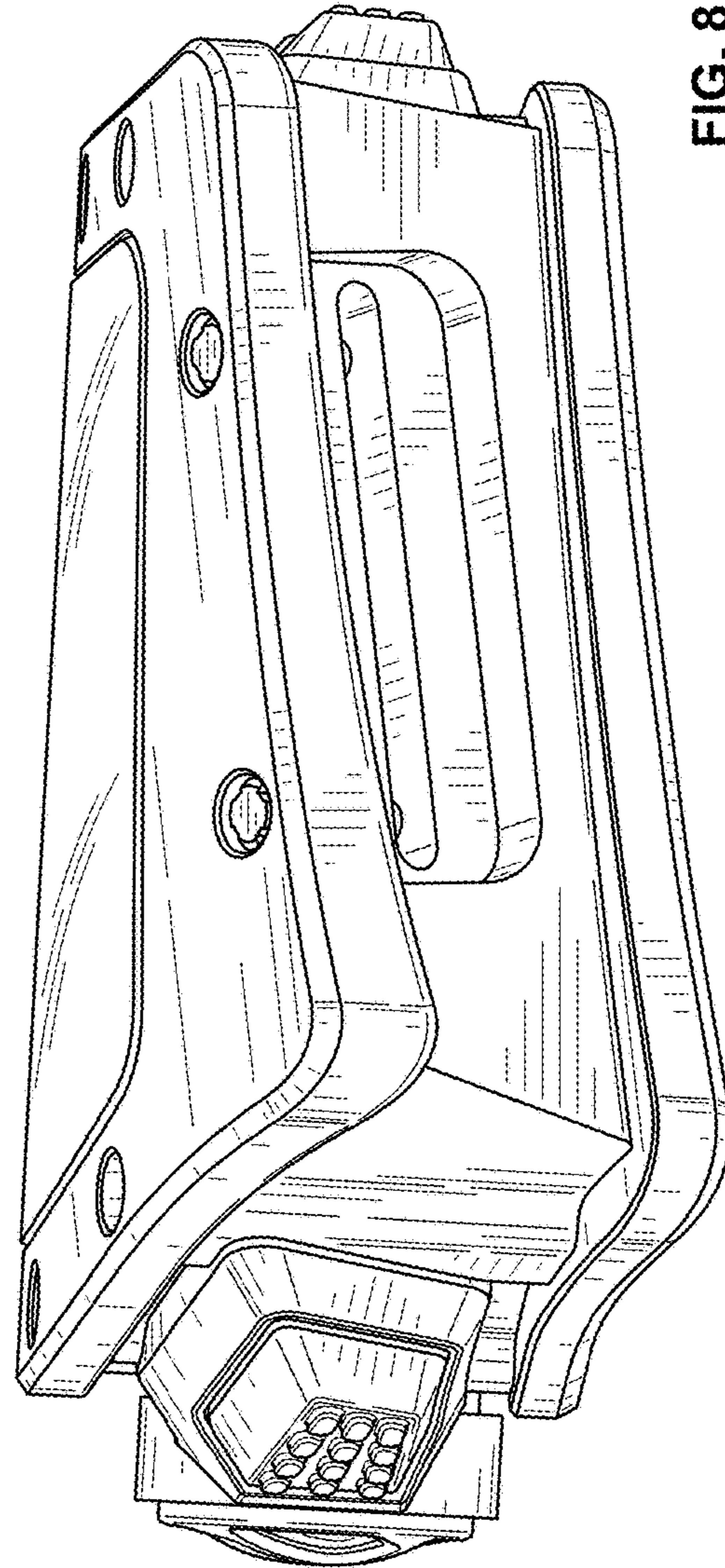


FIG. 8

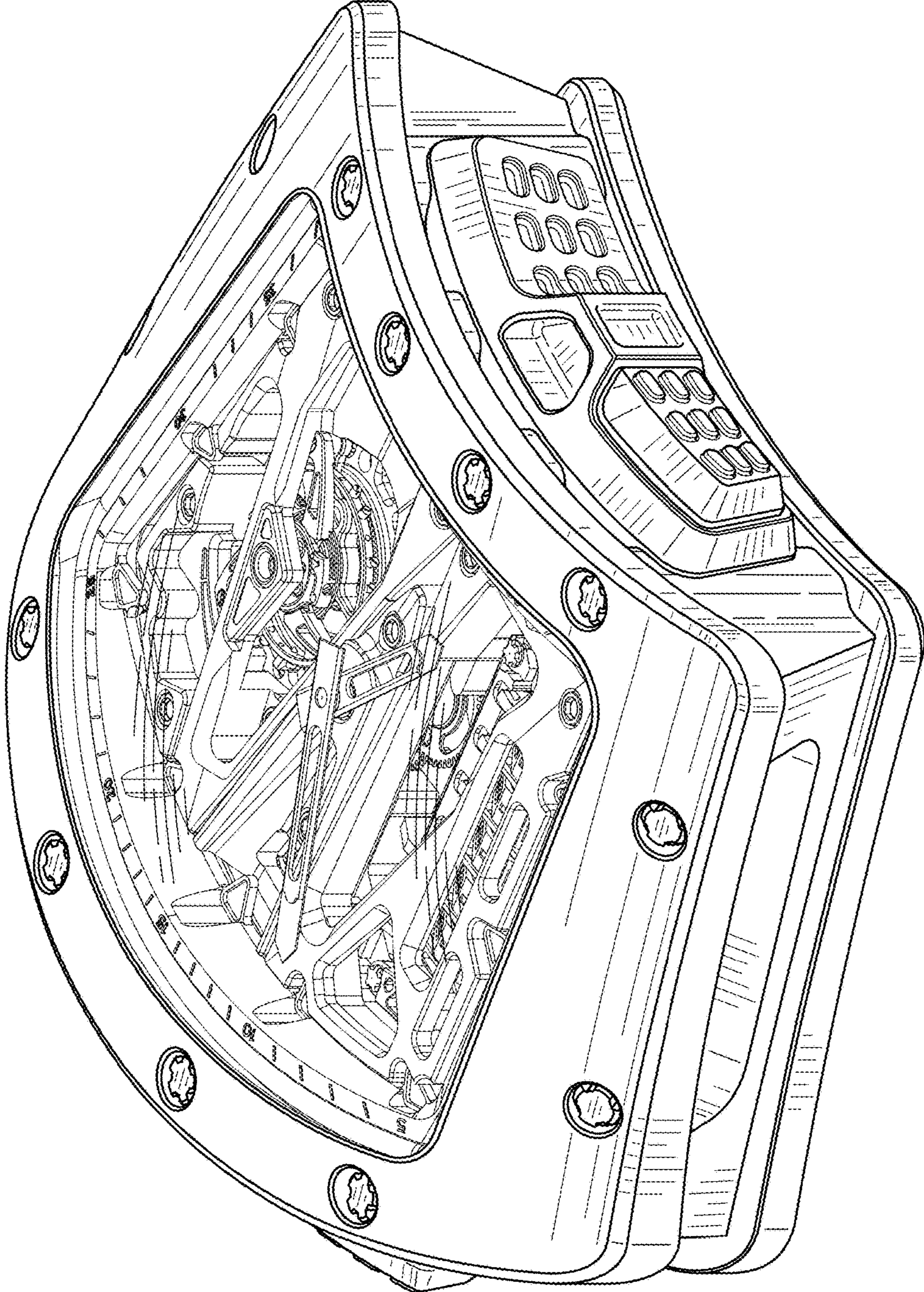


FIG. 9

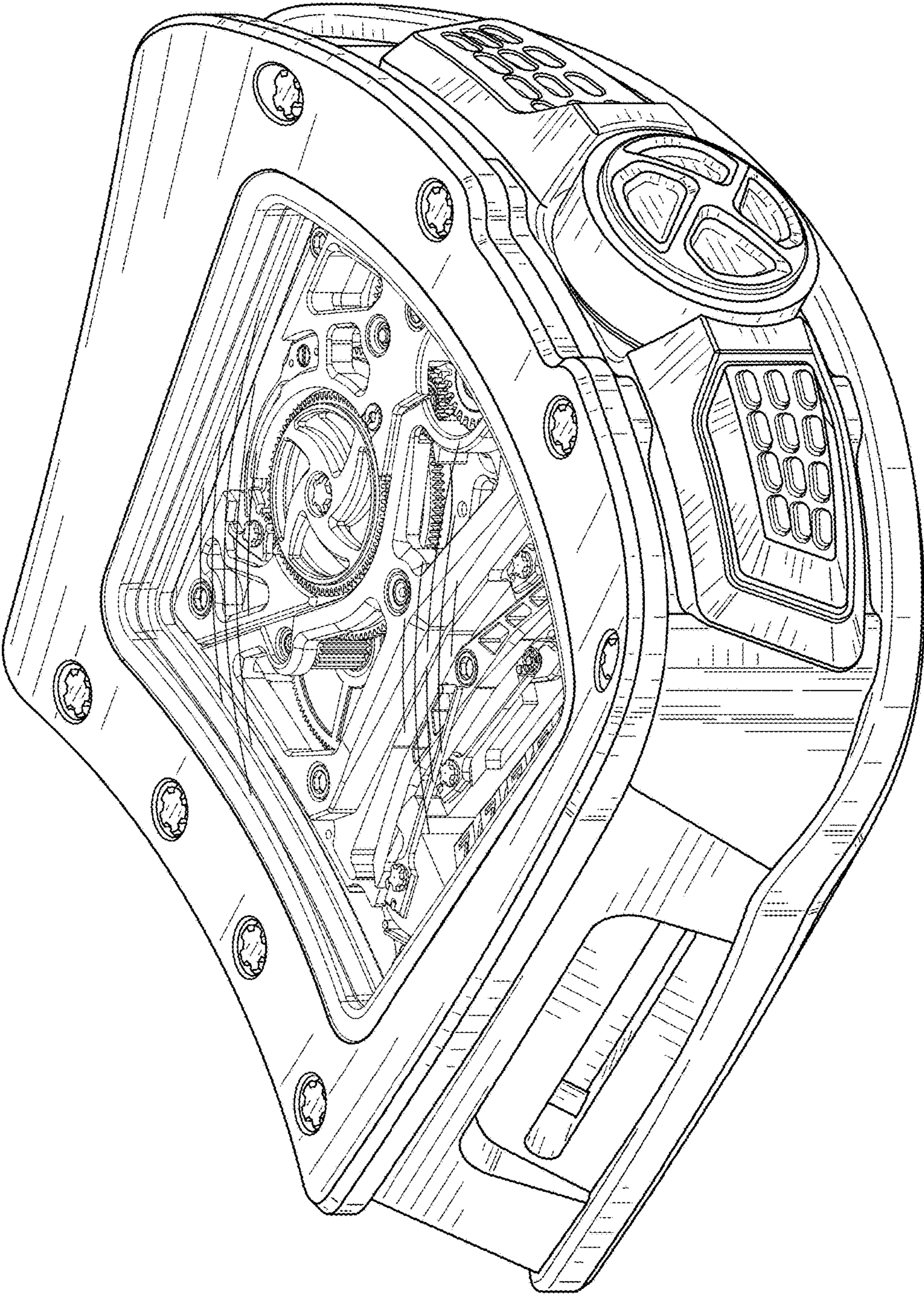


FIG. 10