



US00D820117S

(12) **United States Design Patent**
Akagi et al.

(10) **Patent No.:** **US D820,117 S**
(45) **Date of Patent:** **** Jun. 12, 2018**

(54) **WRIST WATCH**

- (71) Applicant: **CASIO KEISANKI KABUSHIKI KAISHA**, Shibuya-ku, Tokyo (JP)
- (72) Inventors: **Takayasu Akagi**, Tokyo (JP); **Hideki Watanabe**, Kanagawa (JP)
- (73) Assignee: **CASIO KEISANKI KABUSHIKI KAISHA**, Tokyo (JP)
- (**) Term: **15 Years**

- (21) Appl. No.: **29/560,730**
- (22) Filed: **Apr. 8, 2016**

(30) **Foreign Application Priority Data**

Dec. 4, 2015 (CN) 2015 3 0502579

(51) **LOC (11) Cl.** **10-02**

(52) **U.S. Cl.**
USPC **D10/39**

(58) **Field of Classification Search**

USPC D10/1, 4, 6, 15, 30-39, 41, 44-45, 65, D10/122-126, 131-132; D14/344

CPC G04B 19/00; G04B 19/025; G04B 19/04; G04B 19/046; G04B 19/048; G04B 19/06; G04B 19/08; G04B 19/085; G04B 19/087; G04B 19/10; G04B 19/103; G04B 19/106; G04B 47/042; G04B 47/04; G04B 19/11; G04B 19/16; G04B 19/166; G04B 19/18; G04B 19/22; G04B 19/223; G04B 19/24; G04B 19/30; G04B 37/00; G04B 37/0008; G04B 37/02; G04B 37/04; G04B 37/12; G04B 39/002; G04B 39/006; G04B 39/008;

(Continued)

(56) **References Cited**

U.S. PATENT DOCUMENTS

- D401,160 S * 11/1998 Akagi D10/30
- D434,988 S * 12/2000 Kojima D10/30

(Continued)

OTHER PUBLICATIONS

Casio G-Shock Gulfmaster GWNQ1000-1A | posted at ablogtowatch.com Nov. 7, 2016 © 2007-2017 aBlogtoWatch [online][site visited Oct. 25, 2017]. Available from Internet: <https://www.ablogtowatch.com/casio-g-shock-master-of-gulfmaster-gwnq1000-1a-watch-review/> (Year: 2016).*

Primary Examiner — Sandra S Snapp
Assistant Examiner — Katherine Glennon

(74) *Attorney, Agent, or Firm* — Holtz, Holtz & Volek PC

(57) **CLAIM**

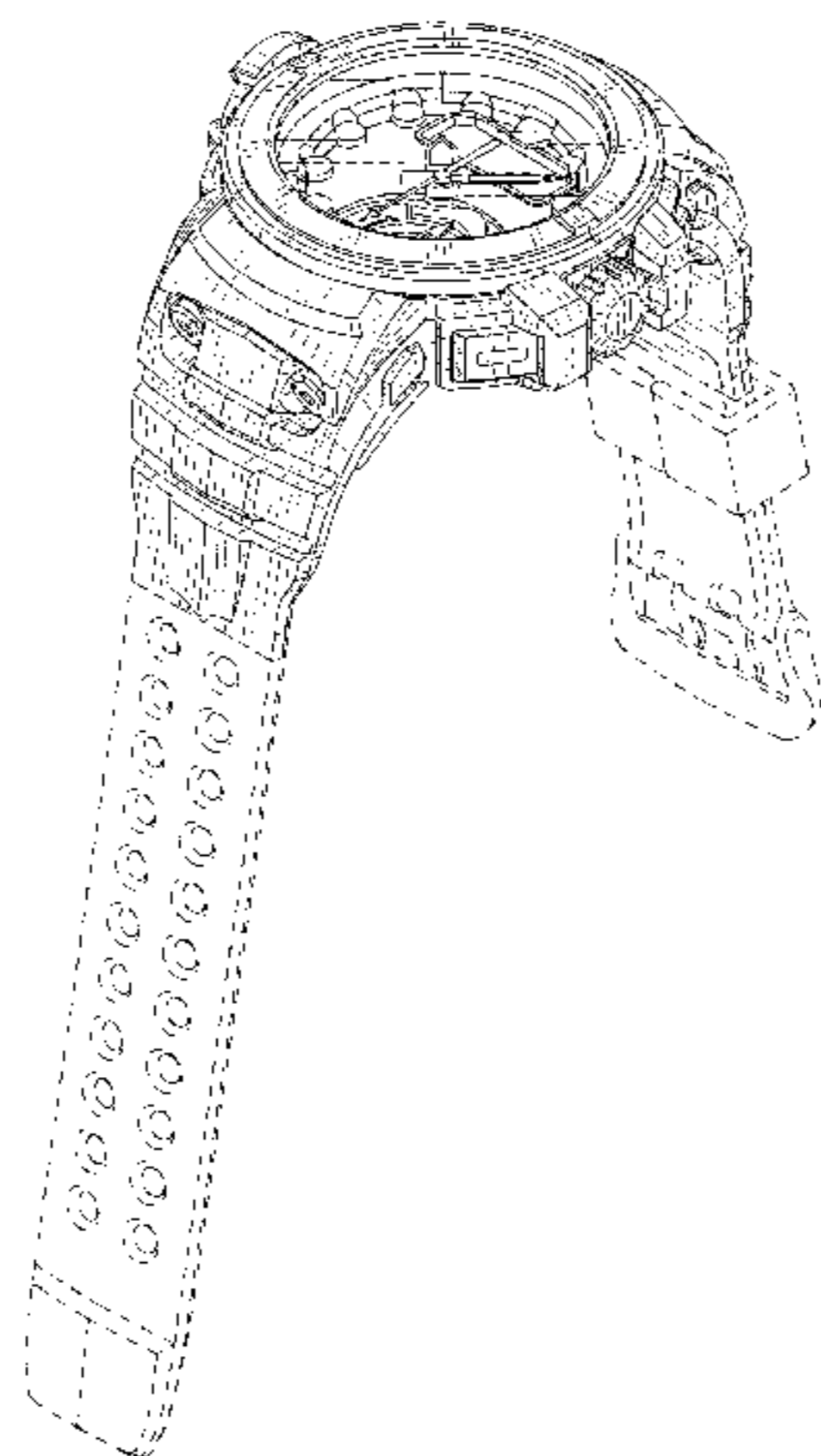
The ornamental design for a wrist watch, as shown and described.

DESCRIPTION

FIG. 1 is a front, right side, bottom perspective view of a wrist watch showing our new design;
 FIG. 2 is a front elevational view thereof;
 FIG. 3 is a rear elevational view thereof;
 FIG. 4 is a left side view thereof;
 FIG. 5 is a right side view thereof;
 FIG. 6 is a top plan view thereof;
 FIG. 7 is a bottom plan view thereof;
 FIG. 8 is a reference front elevational view thereof, showing a state in which this article is electrified;
 FIG. 9 is an enlarged detail view of FIG. 1 thereof;
 FIG. 10 is an enlarged detail view of FIG. 2 thereof;
 FIG. 11 is an enlarged detail view of FIG. 3 thereof;
 FIG. 12 is an enlarged detail view of FIG. 4 thereof;
 FIG. 13 is an enlarged detail view of FIG. 5 thereof;
 FIG. 14 is an enlarged detail view of FIG. 6 thereof;
 FIG. 15 is an enlarged detail view of FIG. 7 thereof; and,
 FIG. 16 is an enlarged detail view of FIG. 8 thereof.

The evenly-spaced broken lines show portions of the wrist watch that form no part of the claimed design.
 The long and short dashed lines indicate the boundaries of the claimed design and form no part thereof.

1 Claim, 16 Drawing Sheets



(58) **Field of Classification Search**

CPC G04B 45/0069; G04B 45/0076; G04B
45/04; G04B 45/00

See application file for complete search history.

(56) **References Cited**

U.S. PATENT DOCUMENTS

D435,221 S * 12/2000 Nikaido D10/30
D497,109 S * 10/2004 Itsubo D10/30
D503,346 S * 3/2005 Akagi D10/30
D526,577 S * 8/2006 Moriai D10/38
D526,579 S * 8/2006 Moriai D10/38
D541,181 S * 4/2007 Watanabe D10/38
7,355,556 B2 * 4/2008 Abe H01Q 1/273
343/788
D658,081 S * 4/2012 Akagi D10/39
D685,666 S * 7/2013 Nakai D10/128
D733,578 S * 7/2015 Ikezu D10/30
D740,138 S * 10/2015 Goto D10/39
D741,202 S * 10/2015 Goto D10/30
D742,252 S * 11/2015 Akagi D10/126
D742,253 S * 11/2015 Syoubayashi D10/30
D742,762 S * 11/2015 Syoubayashi D10/126
D742,763 S * 11/2015 Hashimoto D10/126
D751,420 S * 3/2016 Nakai D10/126
D755,061 S * 5/2016 Nakai D10/32
D776,550 S * 1/2017 Nakai D10/132
2016/0109853 A1 * 4/2016 Kobayashi G04B 19/286
368/295
2017/0261934 A1 * 9/2017 Matsuzawa G04C 17/00

* cited by examiner

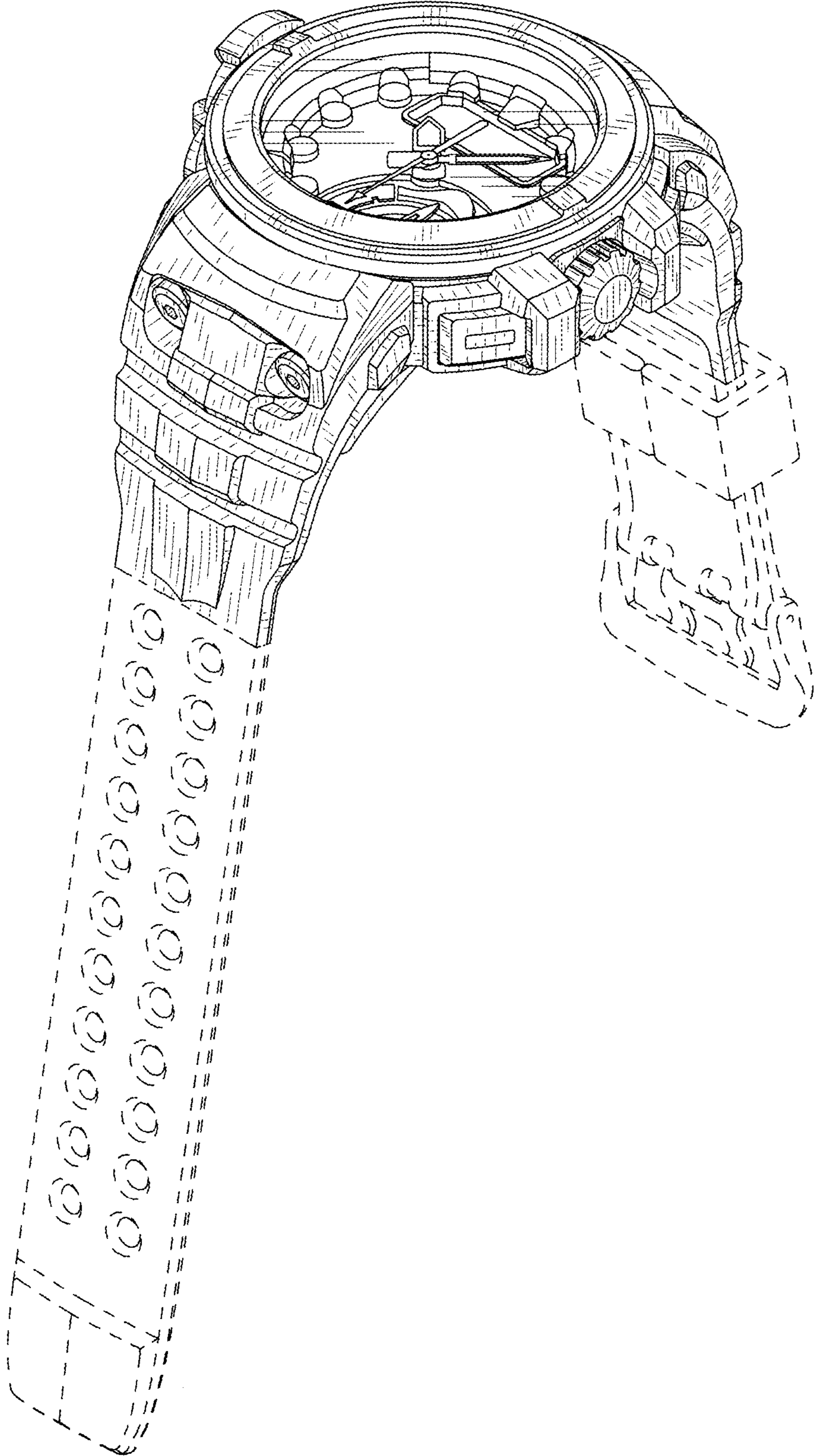


FIG. 1

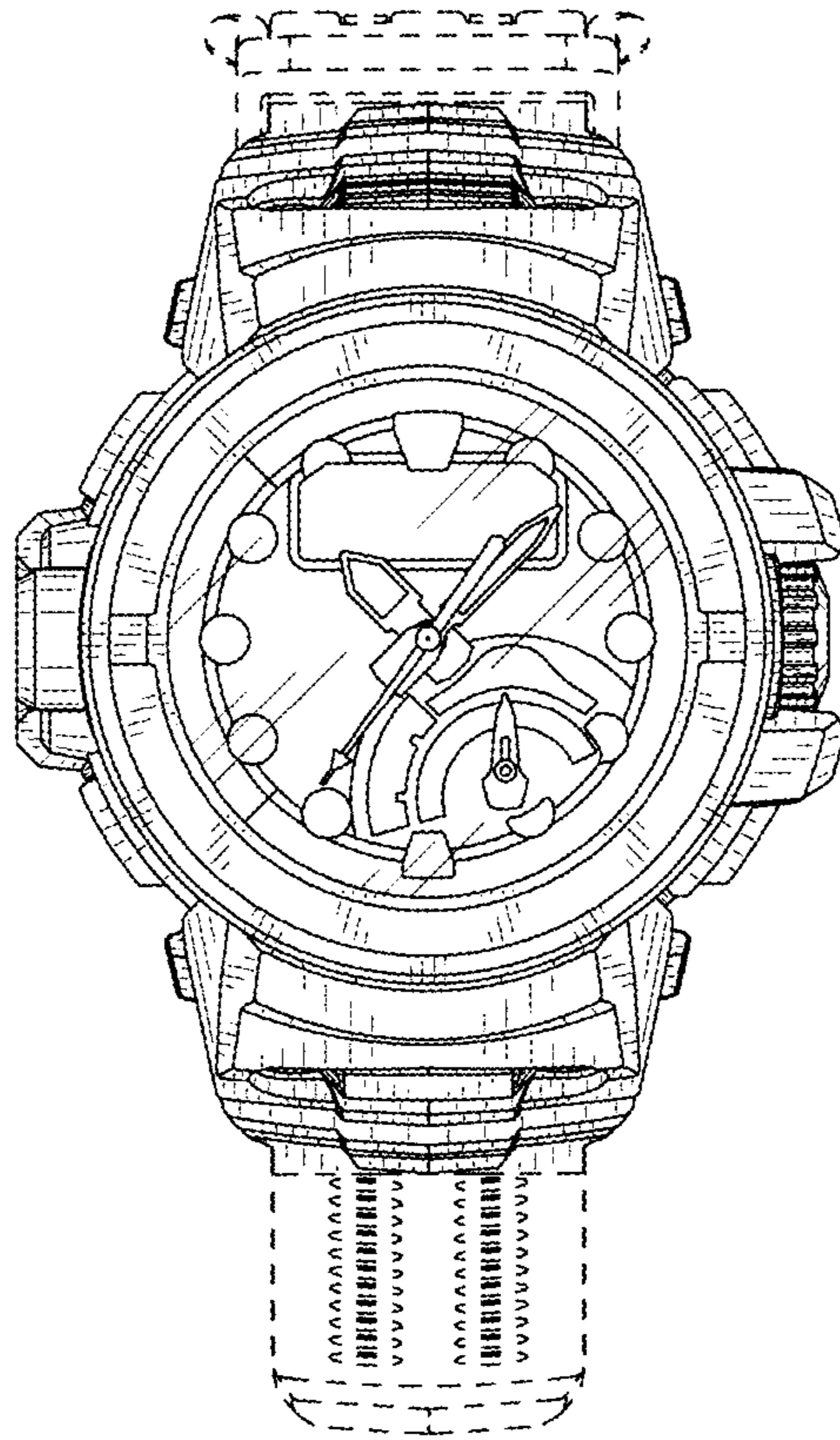


FIG. 2

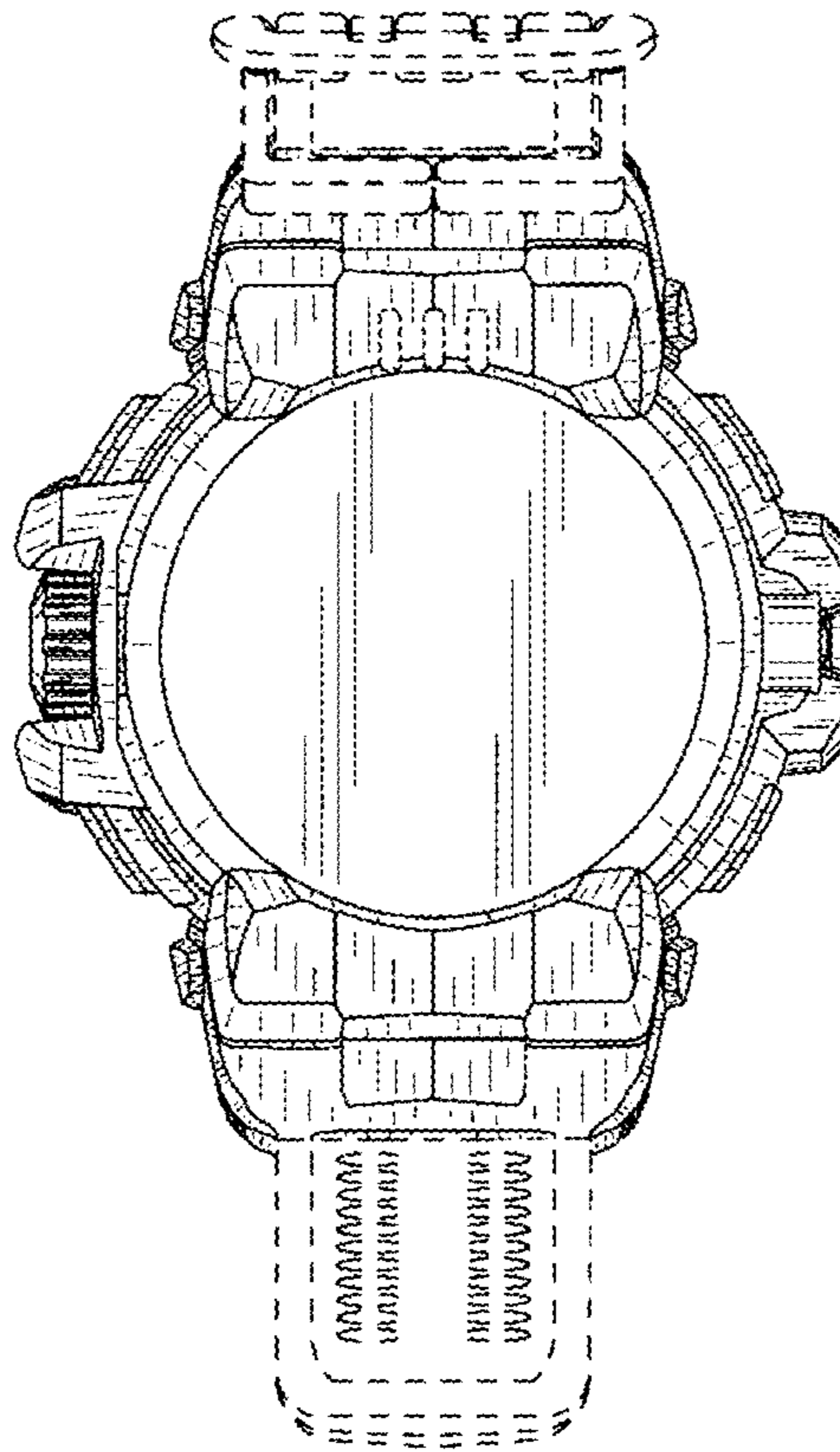


FIG. 3

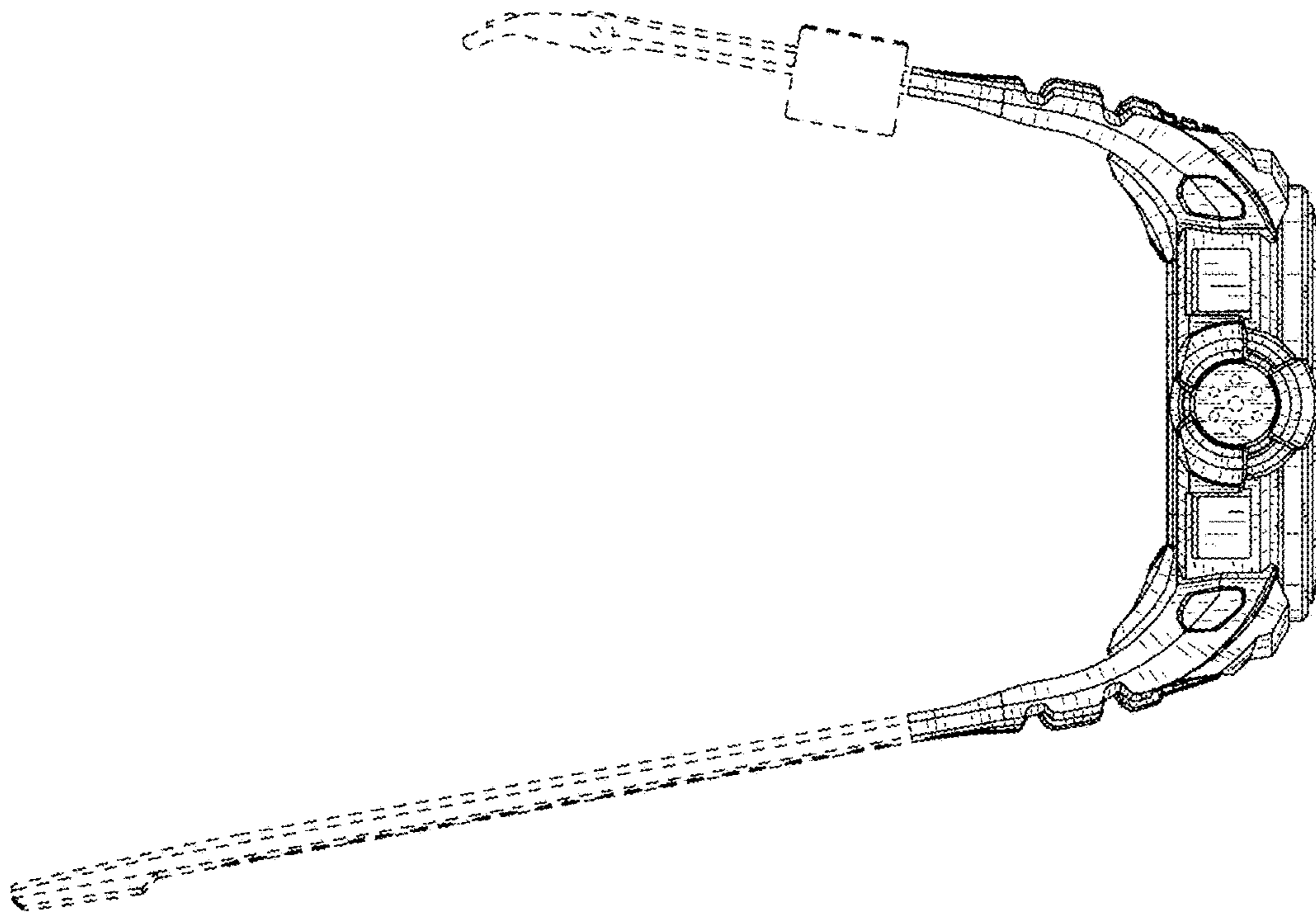


FIG. 4

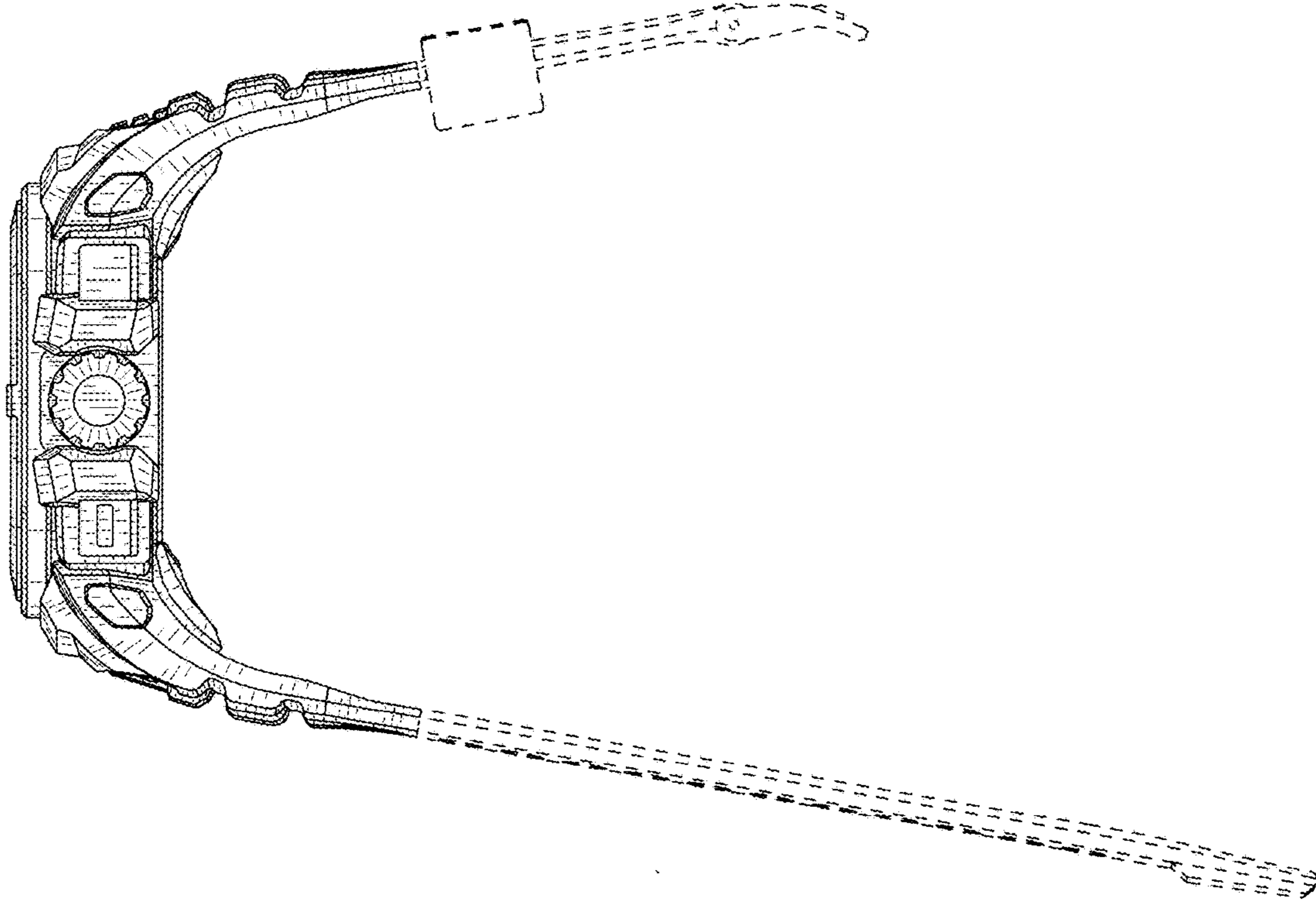


FIG. 5

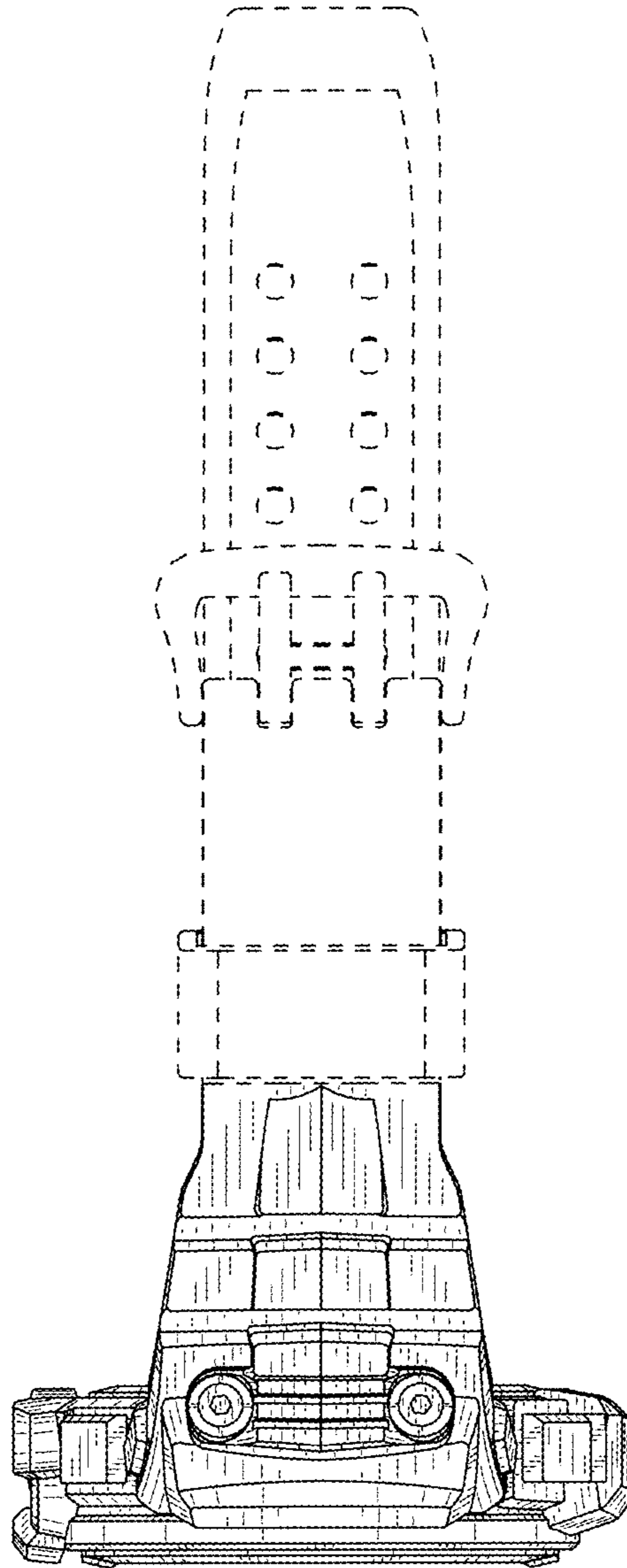


FIG. 6

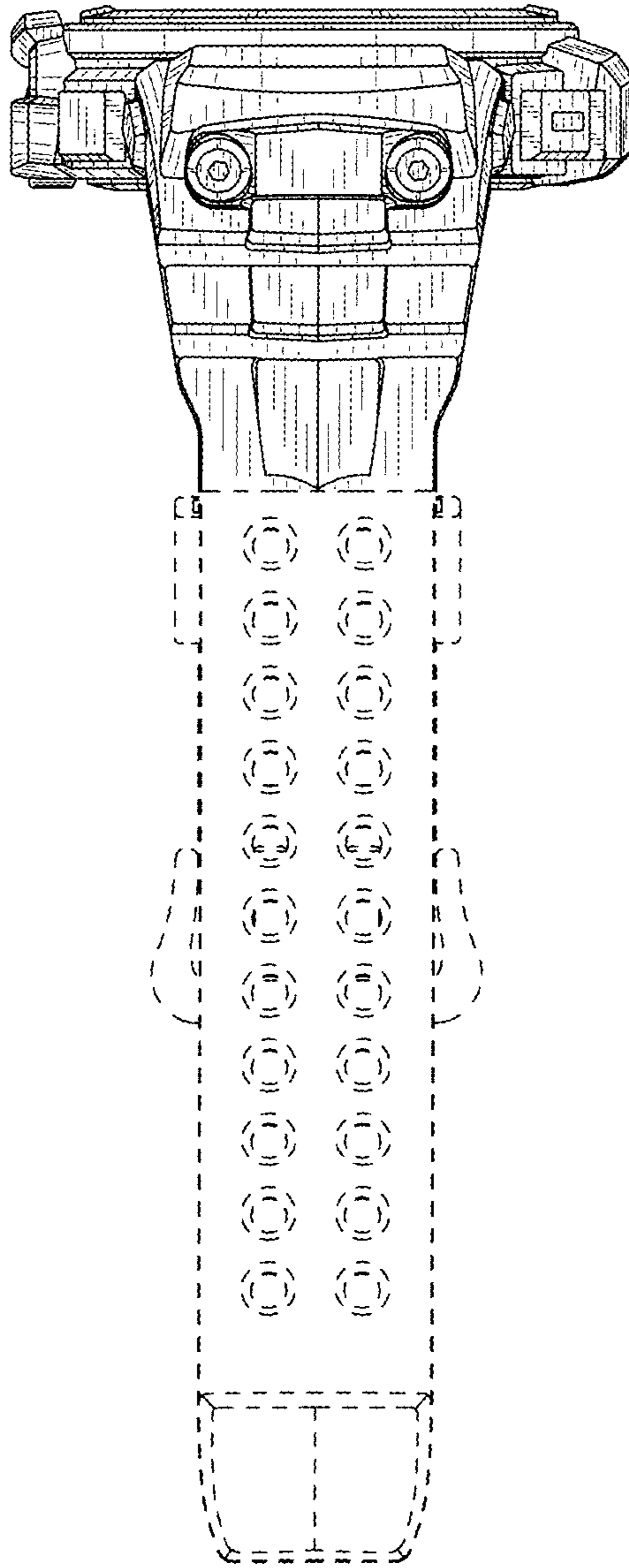


FIG. 7

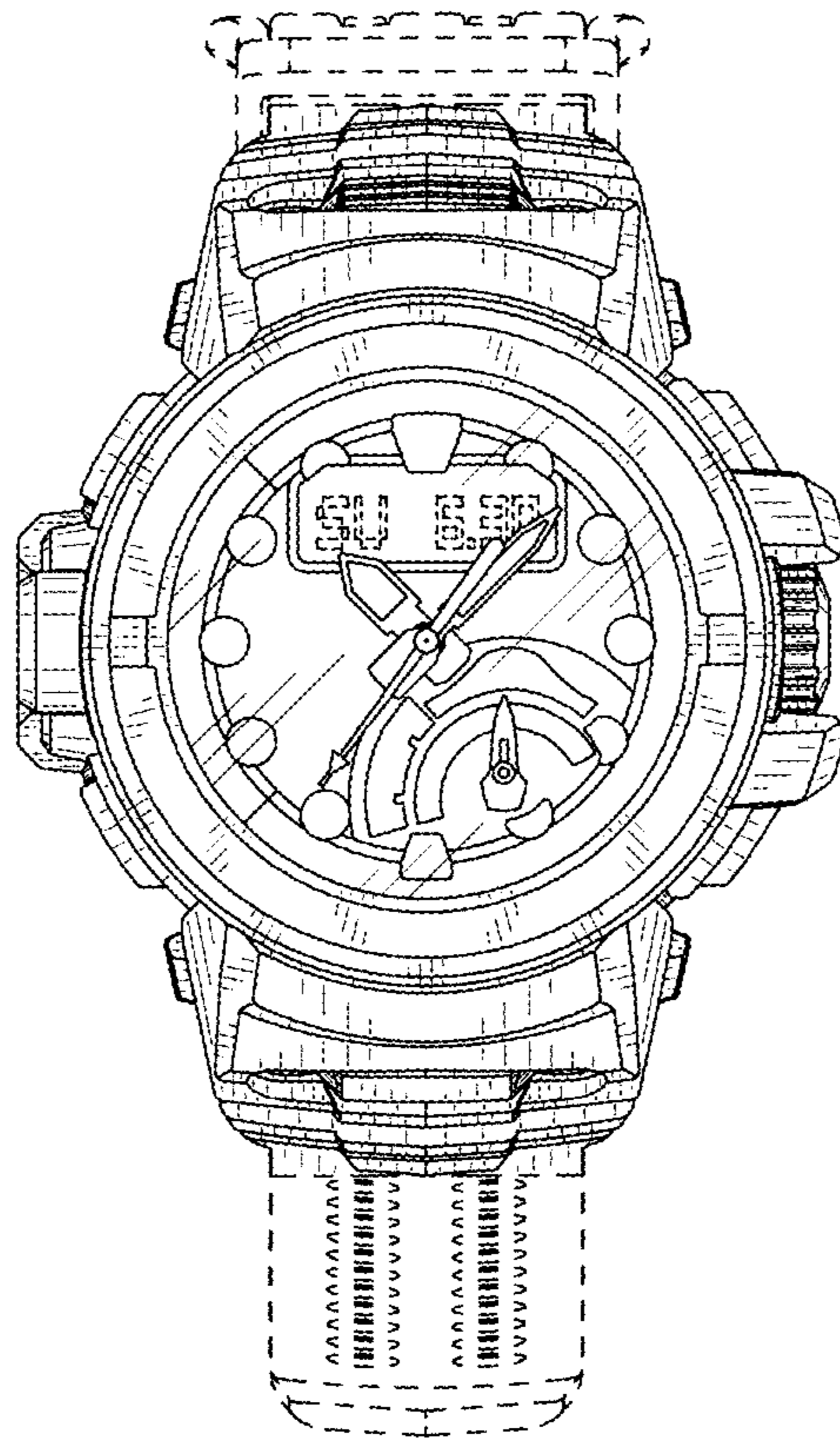


FIG. 8



FIG. 9



FIG. 10

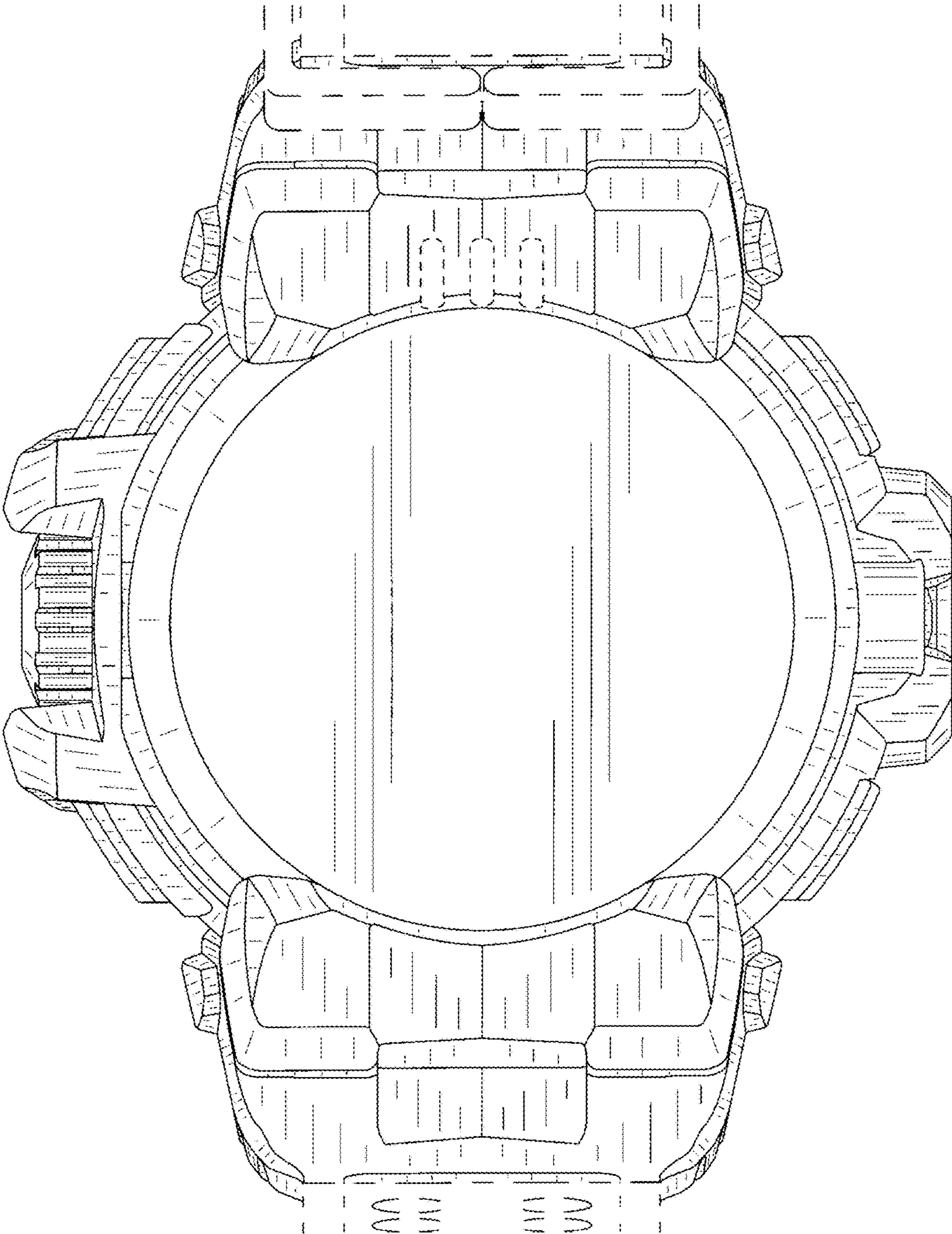


FIG. 11

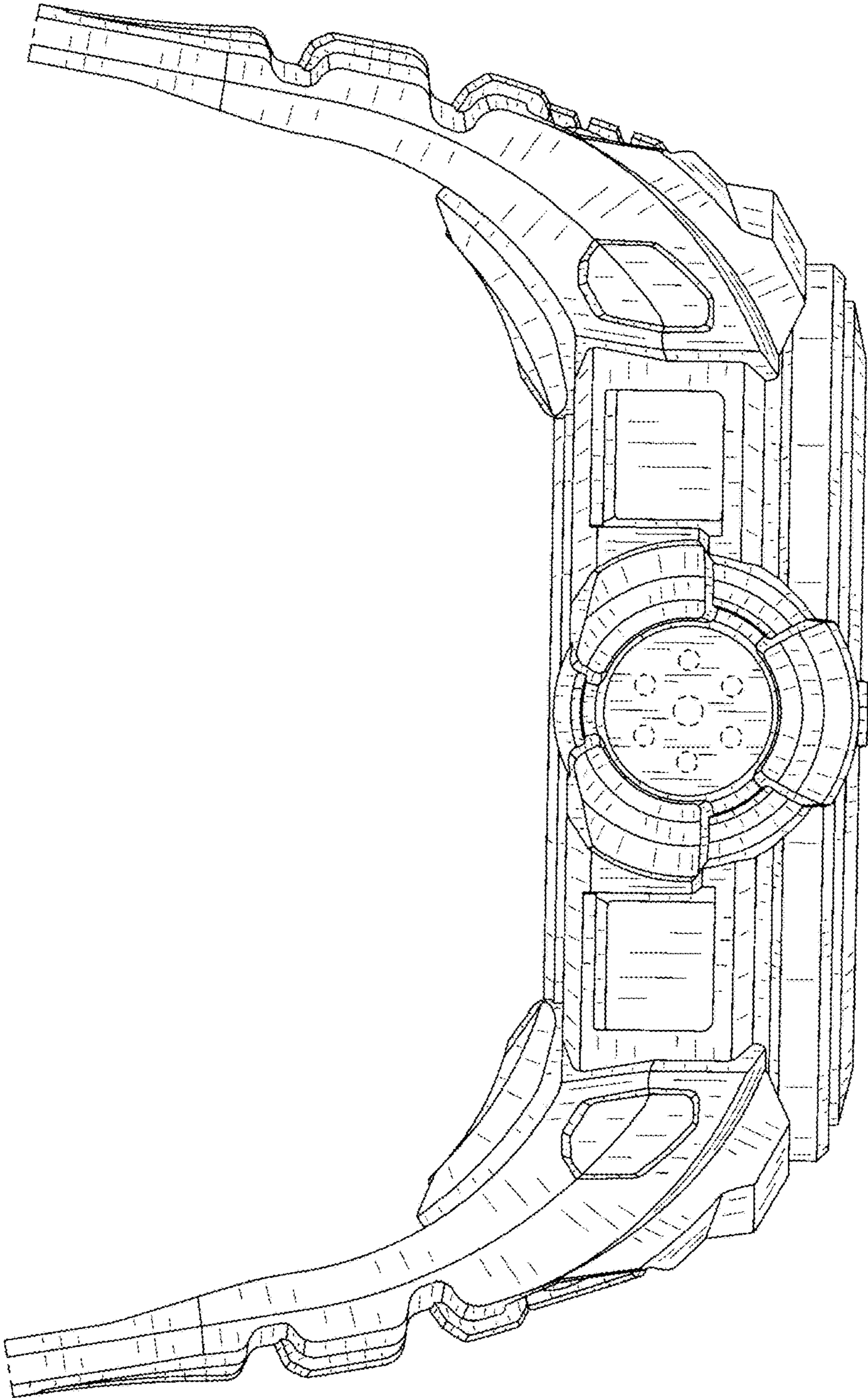


FIG. 12

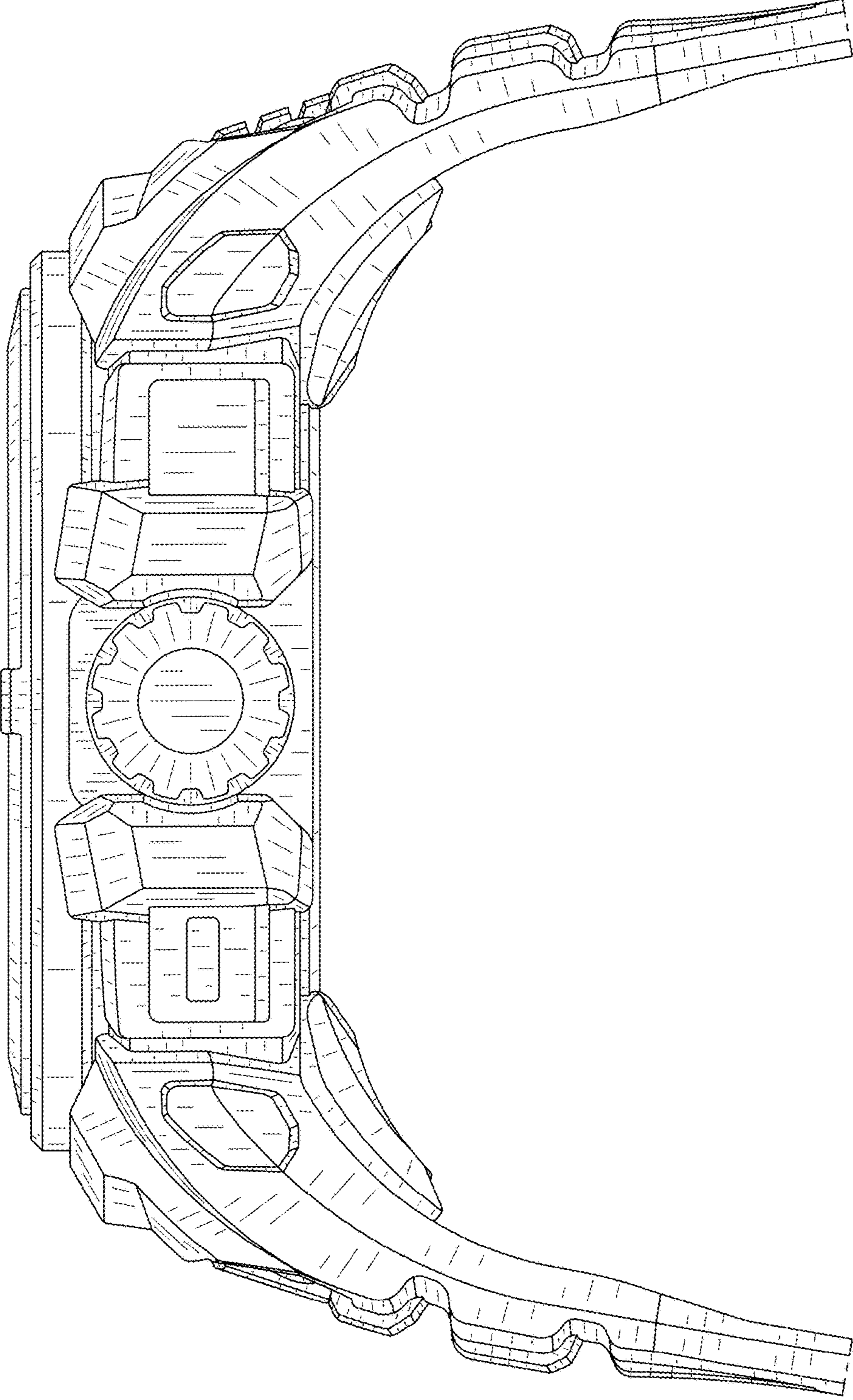


FIG. 13

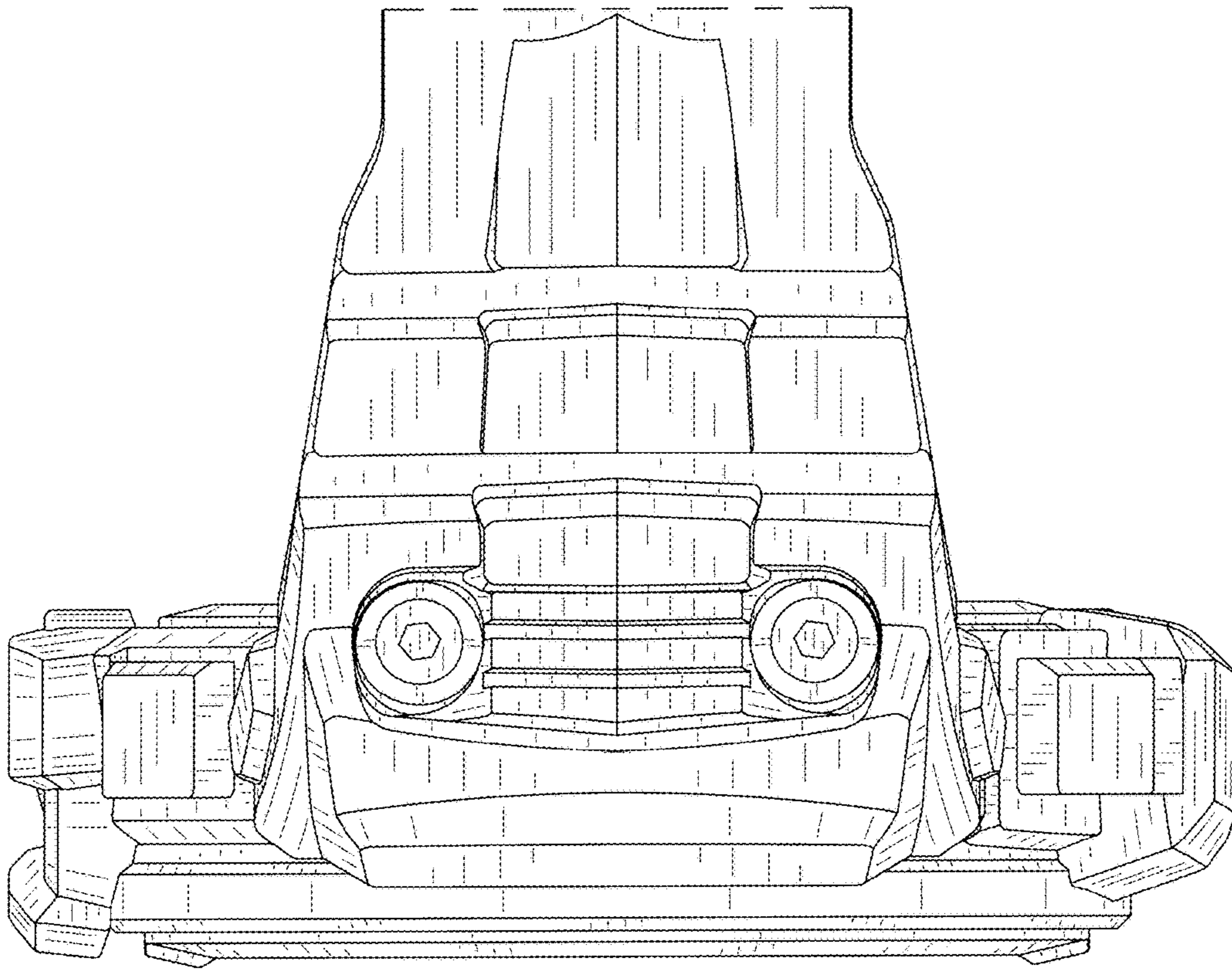


FIG. 14

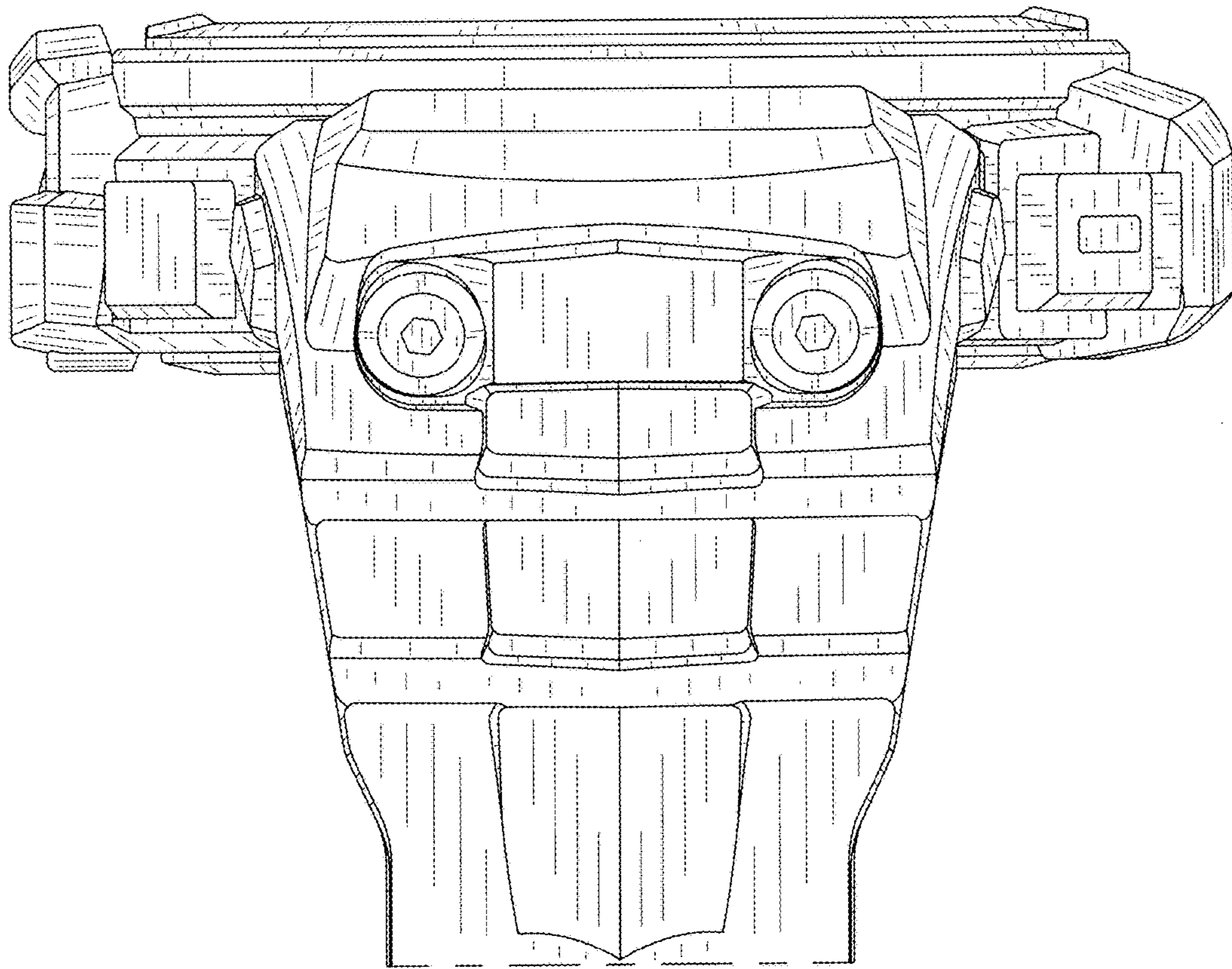


FIG. 15

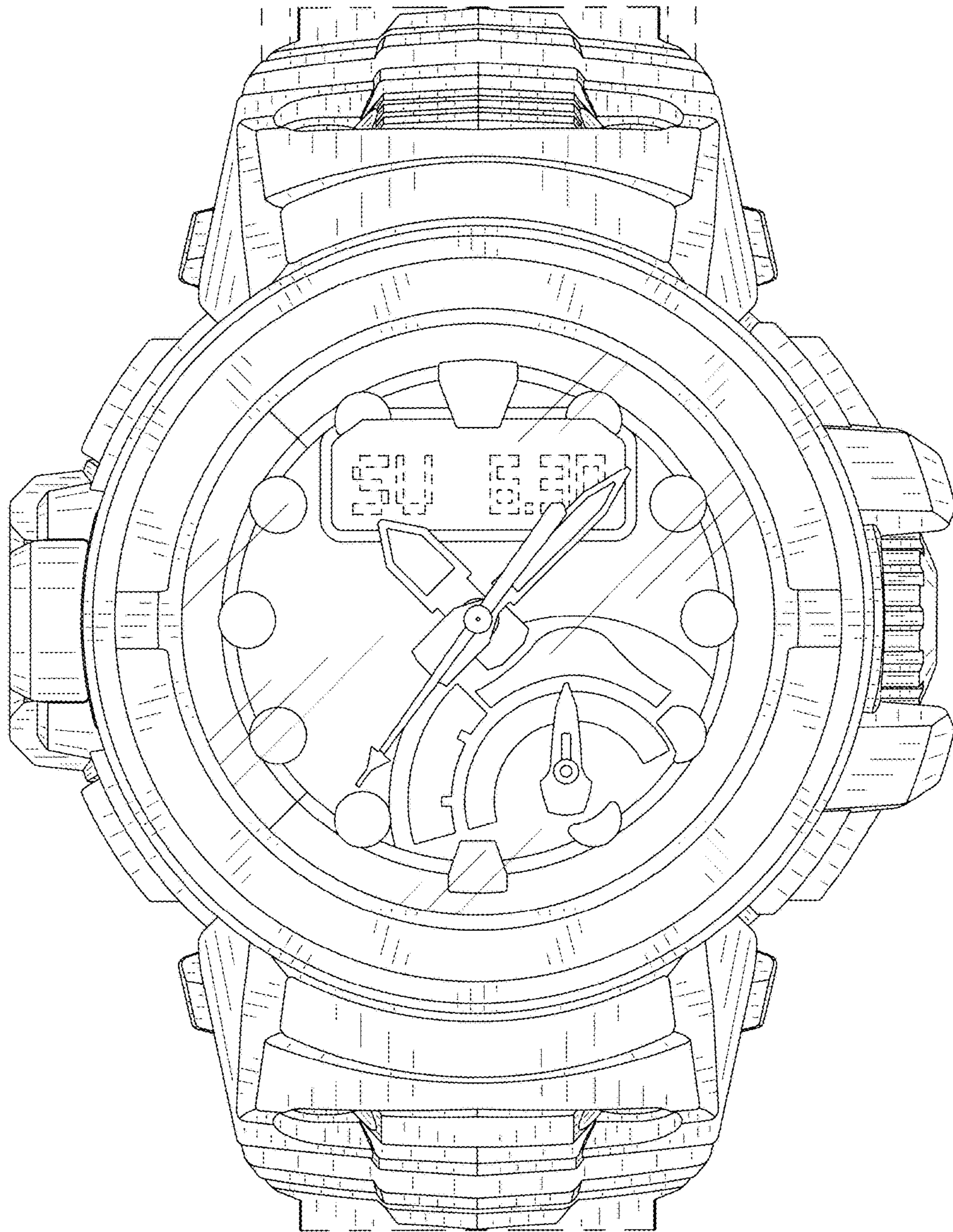


FIG. 16