



US00D820116S

(12) **United States Design Patent**
Monachon

(10) **Patent No.:** **US D820,116 S**
(45) **Date of Patent:** **** Jun. 12, 2018**

- (54) **WATCHCASE**
- (71) Applicant: **OMEGA LTD.**, Biel/Bienne (CH)
- (72) Inventor: **Jean-Claude Monachon**, Bevaix (CH)
- (73) Assignee: **OMEGA LTD.**, Biel/Bienne (CH)
- (**) Term: **15 Years**
- (21) Appl. No.: **29/606,434**
- (22) Filed: **Jun. 5, 2017**

D736,655 S * 8/2015 Monachon D10/126
 D758,887 S * 6/2016 Sasaki D10/128
 D759,504 S * 6/2016 Sugiura D10/128

(30) **Foreign Application Priority Data**

Dec. 5, 2016 (WO) DM093755

(51) **LOC (11) Cl.** **10-02**

(52) **U.S. Cl.**
USPC **D10/38**

(58) **Field of Classification Search**

USPC D10/1, 30, 31, 33, 34, 37, 38, 39, 6, 7,
 D10/18, 122, 123, 124, 126; D11/1, 2
 CPC G04B 3/04; G04B 3/048; G04B 19/02;
 G04B 19/04; G04B 19/044; G04B
 19/048; G04B 19/06; G04B 19/065;
 G04B 19/10; G04B 5/005; G04B 5/20;
 G04B 19/12; G04B 19/24; G04B 19/26

See application file for complete search history.

(56) **References Cited**

U.S. PATENT DOCUMENTS

D399,447 S * 10/1998 Pandel D10/128
 D656,416 S * 3/2012 Monachon D10/39
 D690,208 S * 9/2013 Sasaki D10/32
 D705,085 S * 5/2014 Monachon D10/34
 D727,177 S * 4/2015 Abdourahim D10/39
 D727,755 S * 4/2015 Laucella D10/39
 D729,076 S * 5/2015 Monachon D10/32

OTHER PUBLICATIONS

Amazon, XOXO Women's watch, posted Jun. 3, 2010, [online], [site visited Feb. 28, 2018]. Internet, <URL: <https://www.amazon.com/XOXO-Womens-XO115-Rhinestone-Bracelet/dp/B003DIHBEY%3FSubscriptionId=03B34YXX32QWN8MQFT02&tag=httpcasseetu-20&linkCode=xm2&camp=2025&creative=165953&creativeASIN=B003DIHBEY>> (Year: 2010).*

Amazon, Michael Kors Watch, posted May 6, 2010, [online], [visited Feb. 28, 2018]. <URL: https://www.amazon.co.uk/Michael-Kors-Womens-Watch-MK5263/dp/B003L0XGDO/ref=sr_1_1?s=watch&ie=UTF8&qid=1519864692&sr=1-1&keywords=Michael+Kors+Women%27s+Watch+MK5263&dpID=51BG6Eh9MJL&preST=_SY300_QL70_&dpSrc=srch> (Year: 2010).*

* cited by examiner

Primary Examiner — Sheryl Lane

Assistant Examiner — Samantha N Wood

(74) *Attorney, Agent, or Firm* — Abelman, Frayne & Schwab

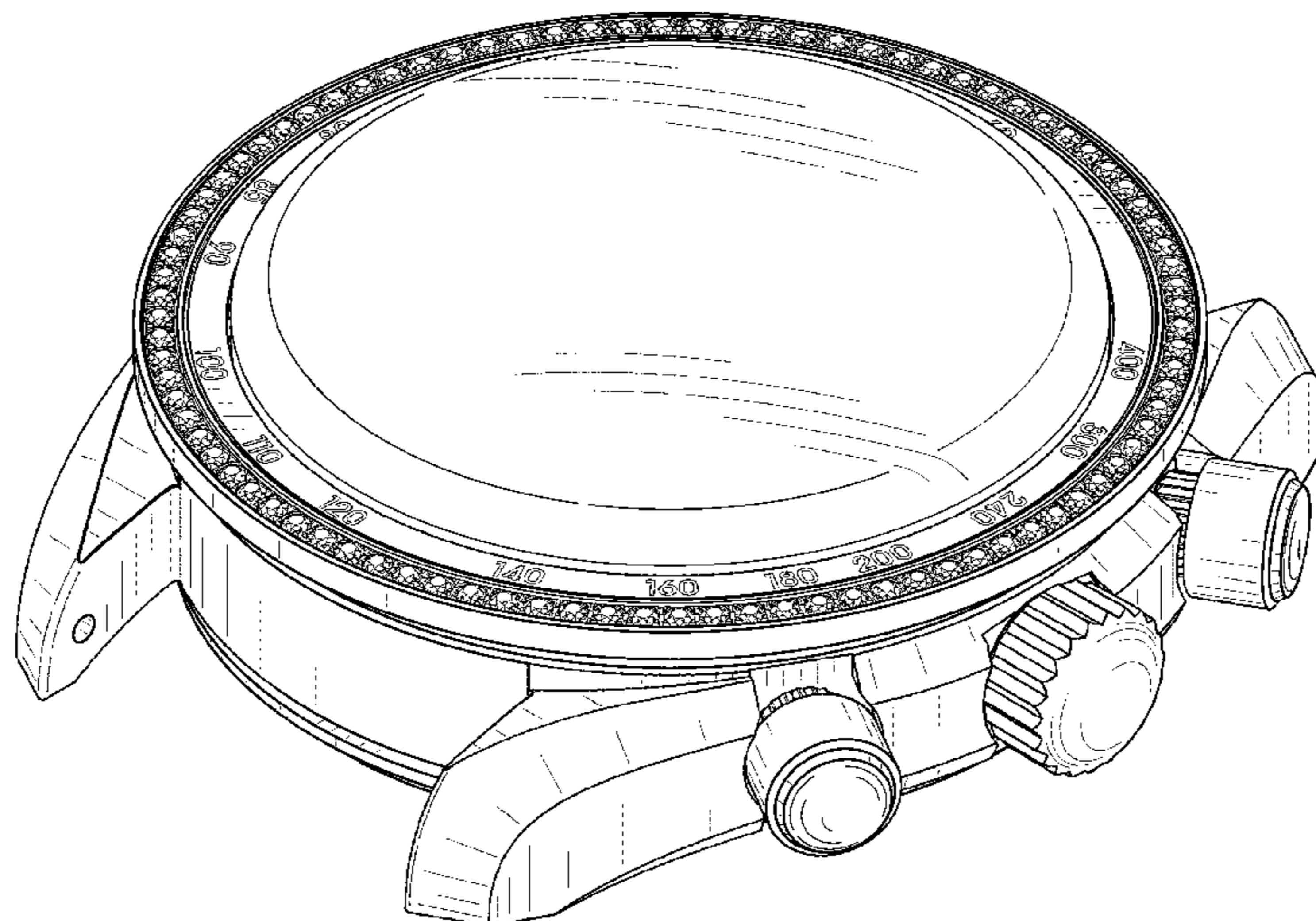
(57) **CLAIM**

The ornamental design for a watchcase, as shown.

DESCRIPTION

FIG. 1 is a front right perspective view of a watchcase showing my new design;
 FIG. 2 is a front elevation view thereof;
 FIG. 3 is a rear elevation view thereof;
 FIG. 4 is a left side elevation view thereof;
 FIG. 5 is a right side elevation view thereof;
 FIG. 6 is a top plan view thereof;
 FIG. 7 is a bottom plan view thereof; and,
 FIG. 8 is a rear right perspective view thereof.

1 Claim, 6 Drawing Sheets



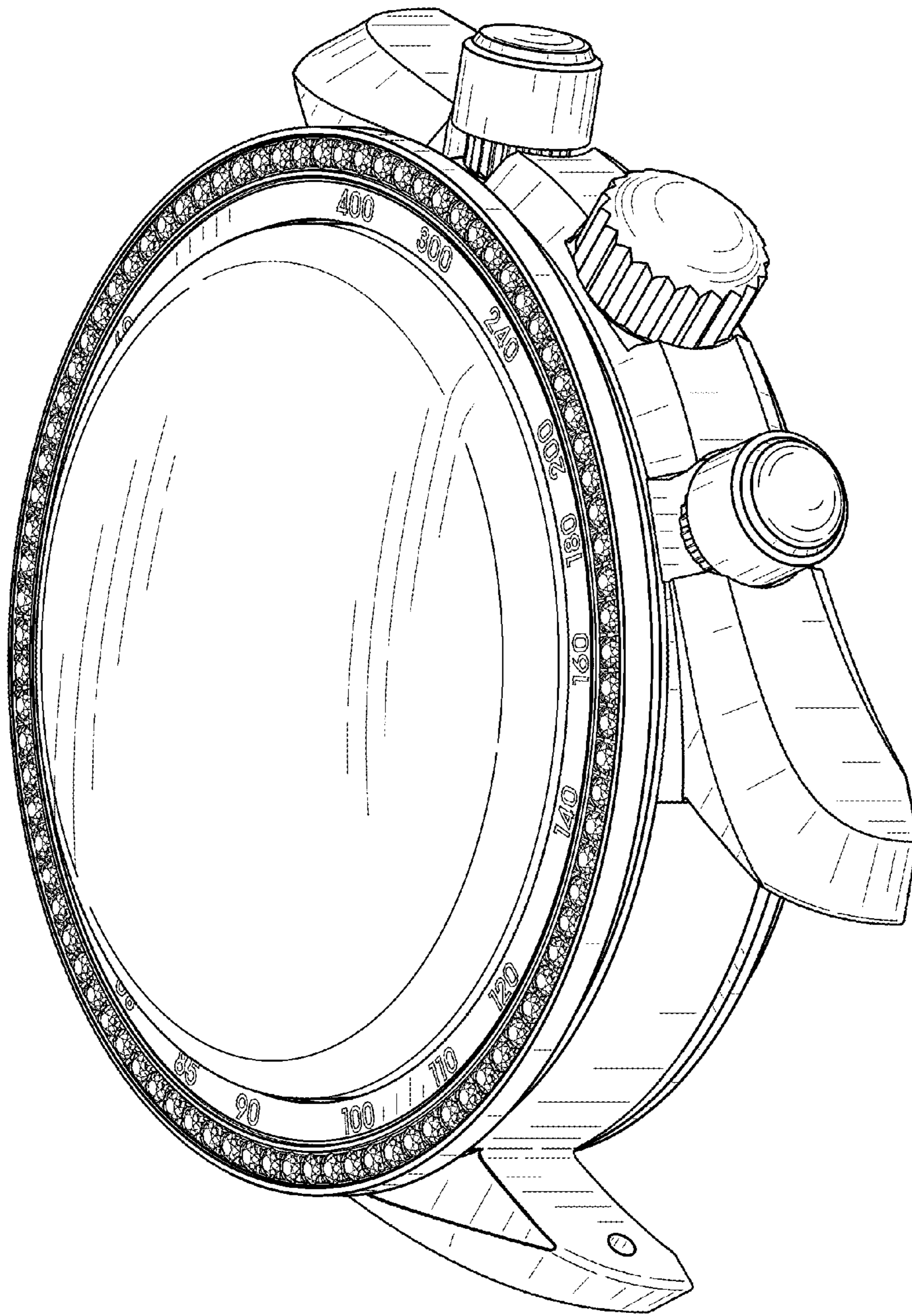


FIG. 1

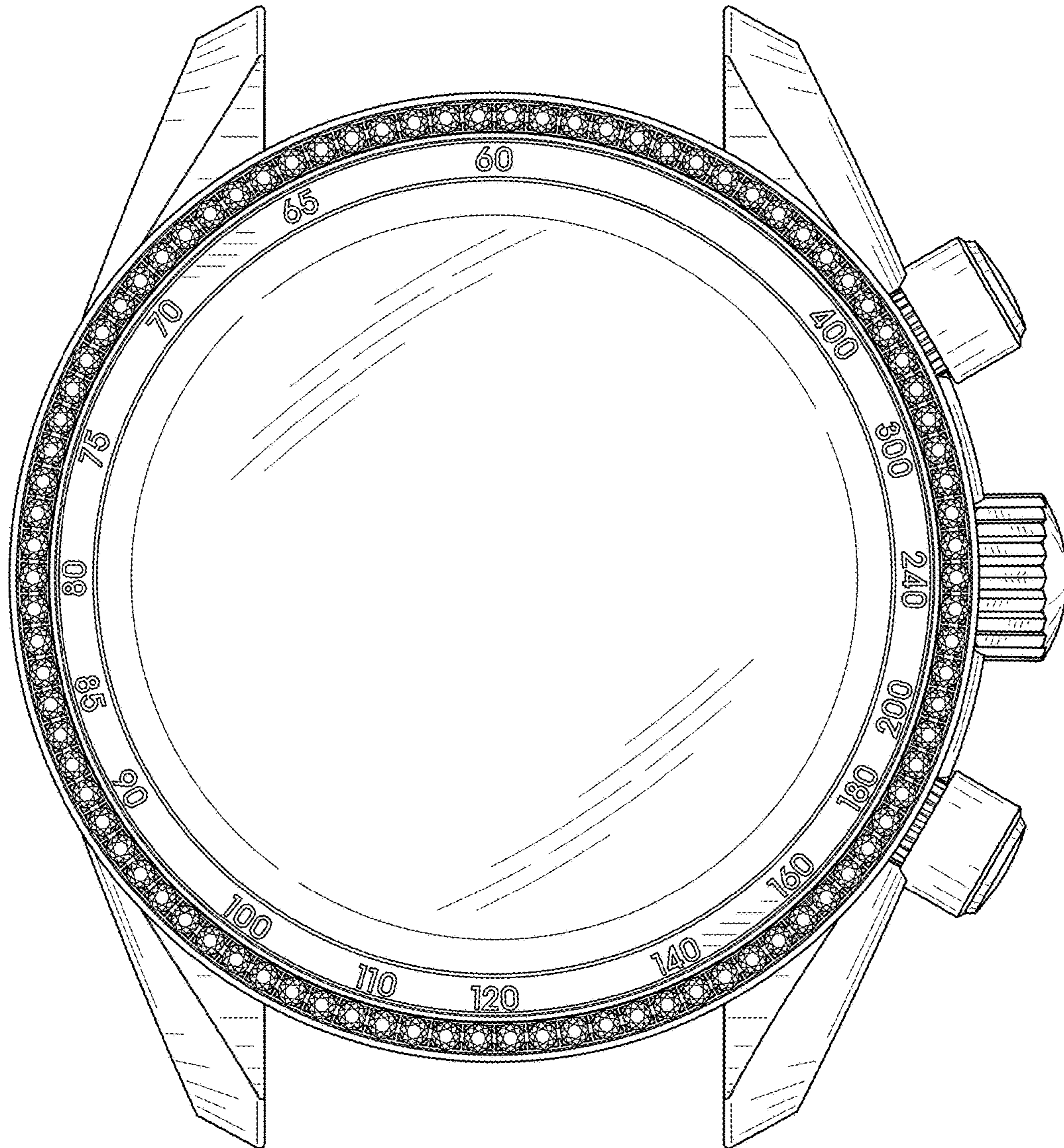


FIG. 2

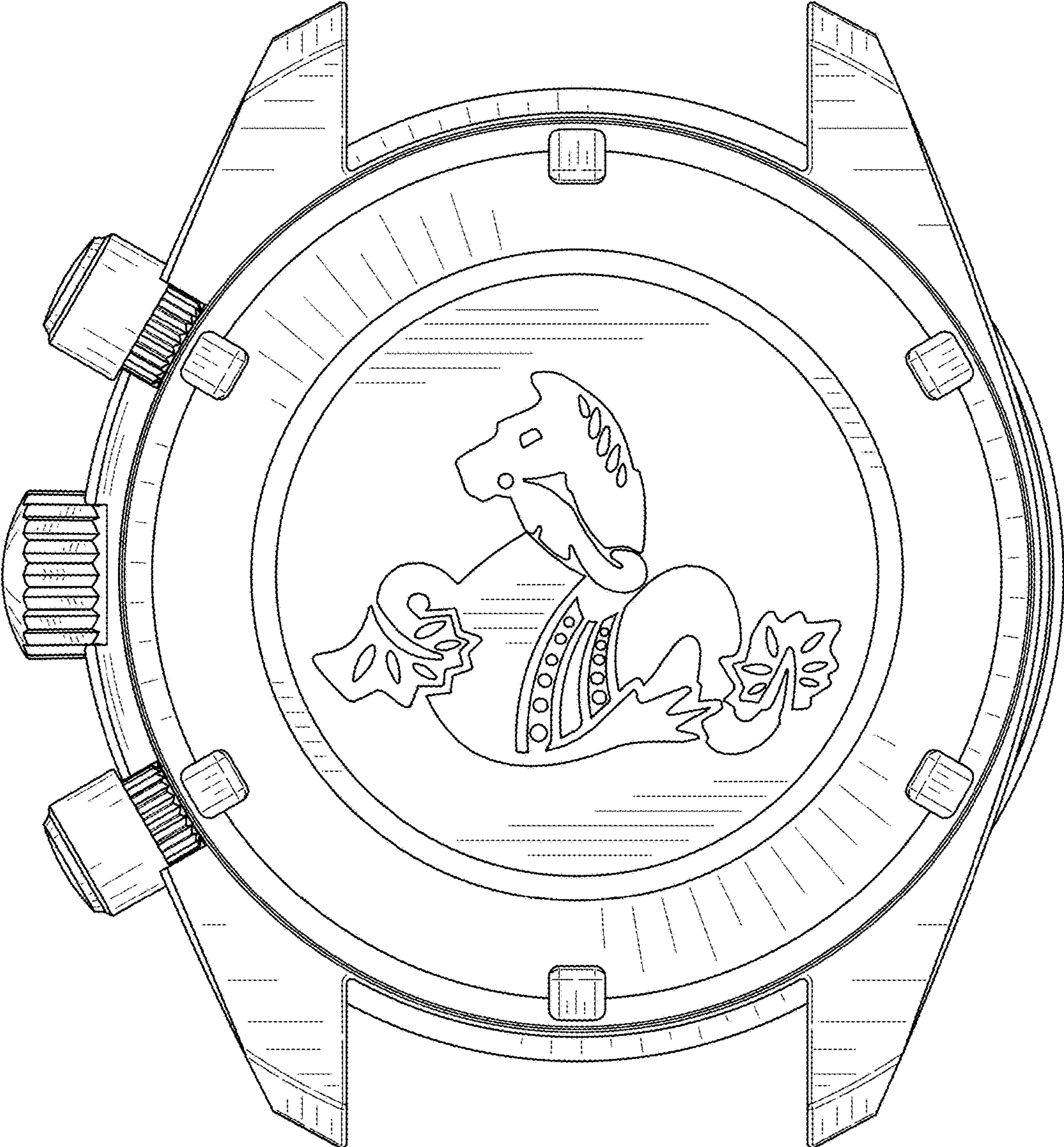


FIG. 3

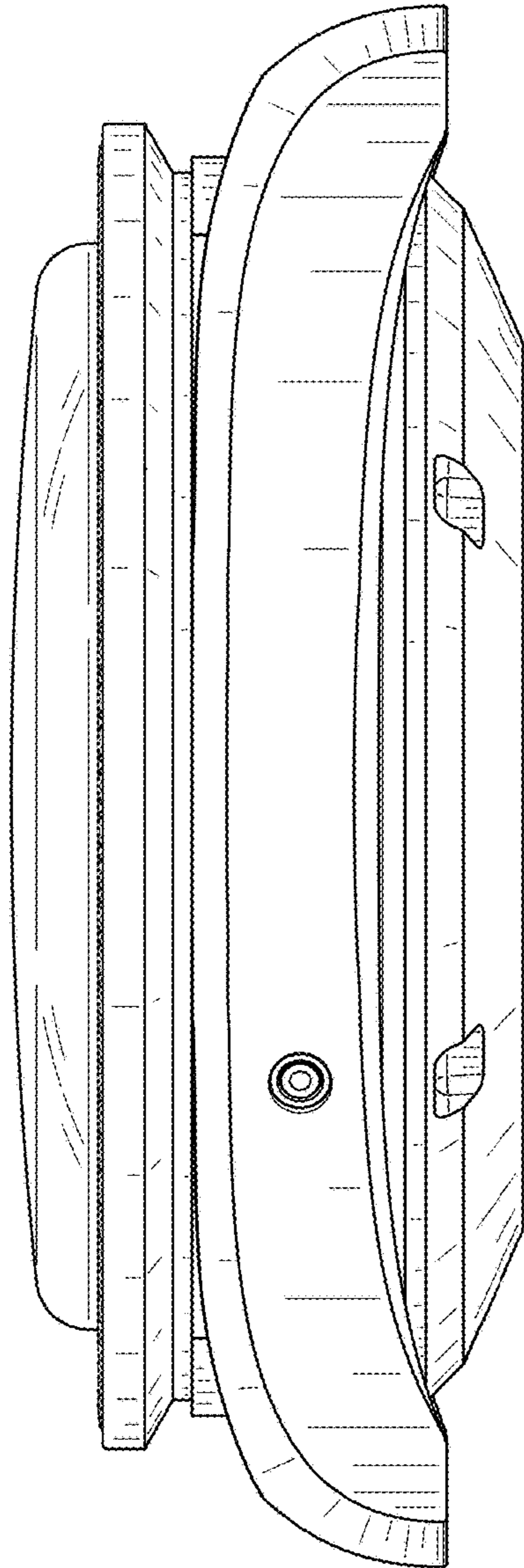


FIG. 4

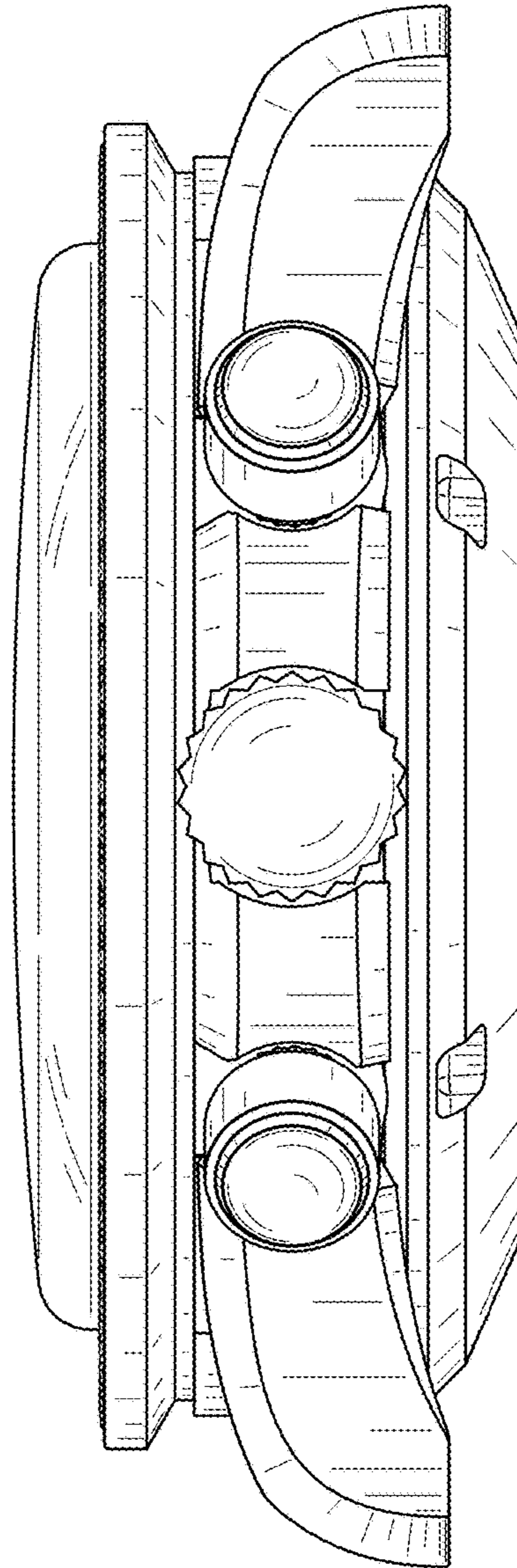


FIG. 5

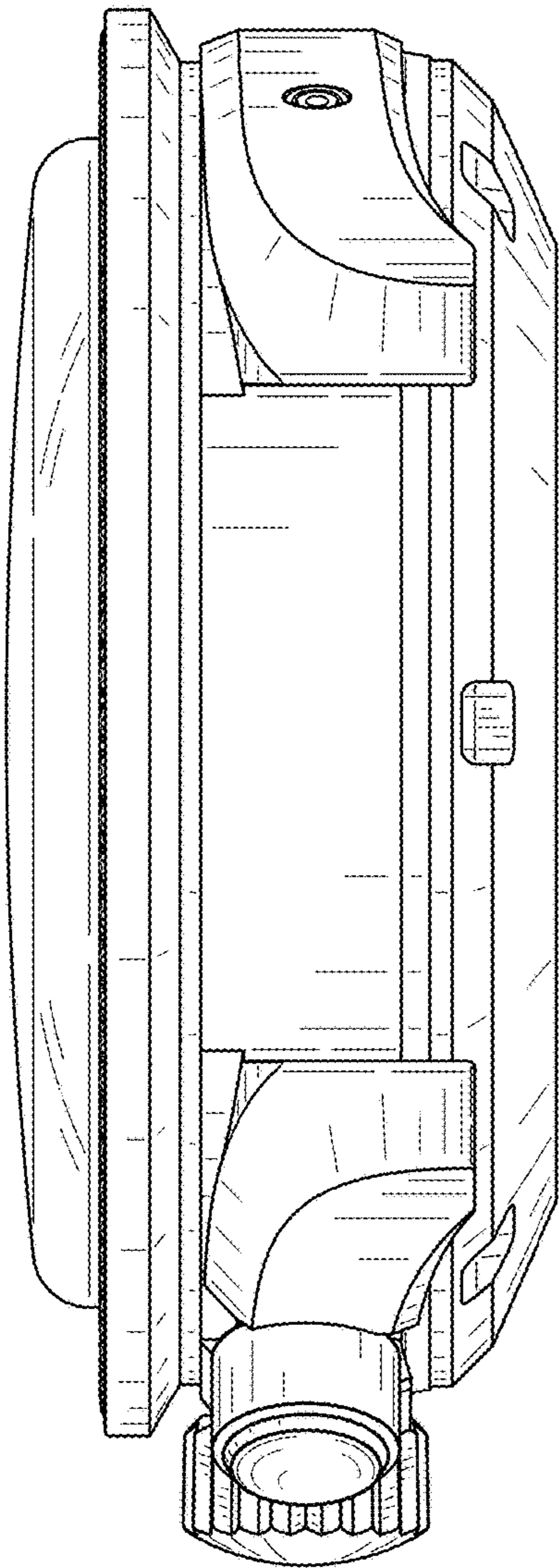


FIG. 6

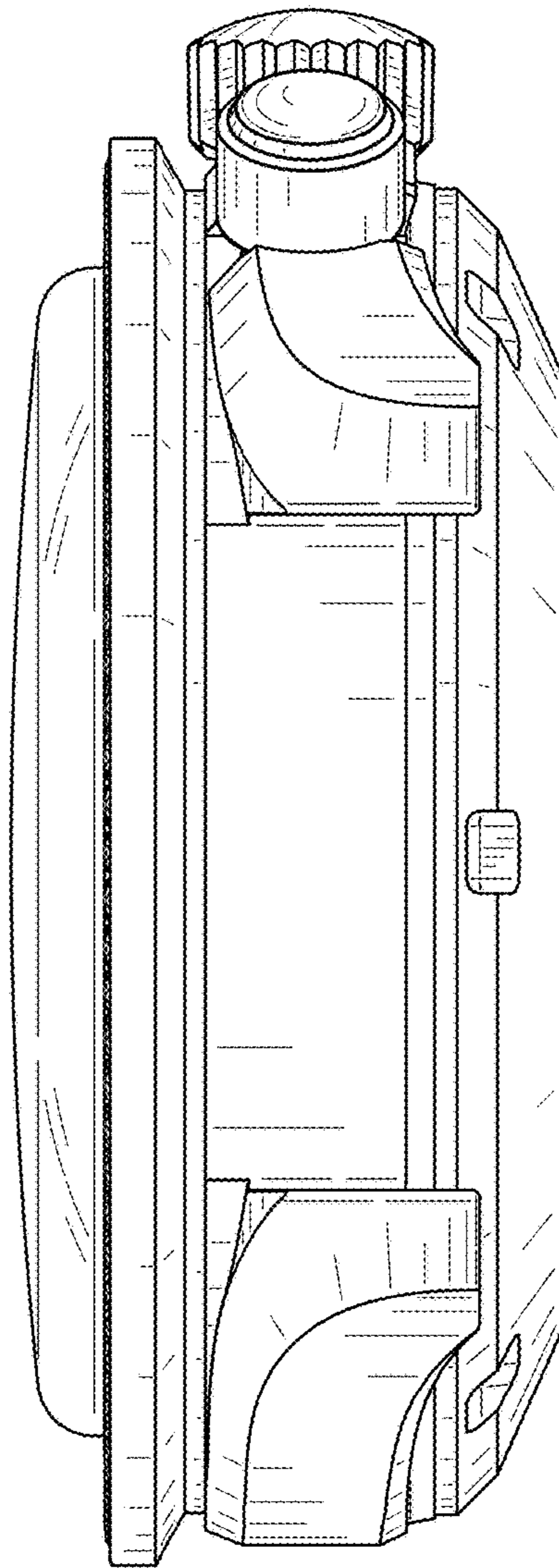


FIG. 7

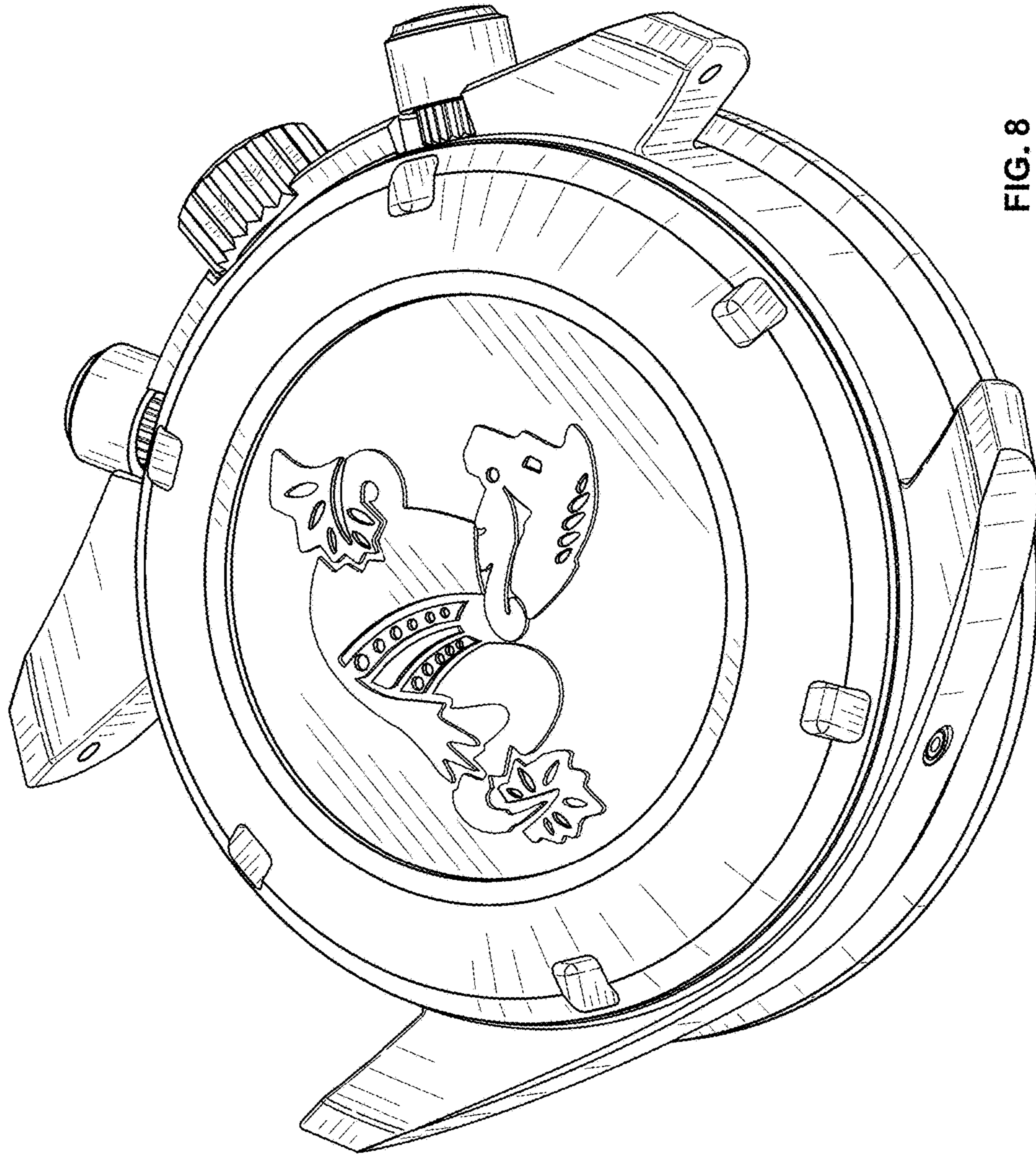


FIG. 8