



US00D820115S

(12) **United States Design Patent**
Antifora

(10) **Patent No.:** **US D820,115 S**
(45) **Date of Patent:** **** Jun. 12, 2018**

(54) **WATCH CASE**

(71) Applicant: **Montblanc-Simplo GmbH**, Hamburg
(DE)

(72) Inventor: **Valerie Antifora**, La Chaux-de-Fonds
(CH)

(73) Assignee: **Montblanc-Simplo GmbH**, Hamburg
(DE)

(**) Term: **15 Years**

(21) Appl. No.: **29/587,777**

(22) Filed: **Dec. 15, 2016**

(51) **LOC (11) Cl.** **10-02**

(52) **U.S. Cl.**
USPC **D10/38**

(58) **Field of Classification Search**
USPC D10/14, 30-39, 65, 70, 122-132;
D14/344, 138 R; 368/127
CPC ... G04F 1/00; G04F 1/06; G04F 1/063; G04F
7/06; G04F 7/0861; G04F 7/0871; G04F
7/08; G04F 7/0804; G04F 7/0842; G04F
7/0876; G04B 19/00; G04B 19/02; G04B
19/04; G04B 19/06; G04B 19/08; G04B
19/26; G04B 19/24; G04B 39/00; G04B
39/002; G04B 39/004; G04B 39/006;
A01G 25/165; B05B 12/02

See application file for complete search history.

(56) **References Cited**

U.S. PATENT DOCUMENTS

D325,529 S *	4/1992	Crocco	D10/32
D373,957 S *	9/1996	Mareschal	D10/30
D394,214 S *	5/1998	Sang	D10/30
D398,544 S *	9/1998	Lai	D10/31
D399,758 S *	10/1998	Mendoza	D10/30
D436,044 S *	1/2001	Subilia	D10/30
D445,344 S *	7/2001	Haquet	D10/30
D538,184 S *	3/2007	Scheufele	D10/39

D585,768 S *	2/2009	Loth	D10/39
D609,587 S *	2/2010	Lalo	D10/38
D635,867 S *	4/2011	Nunes	D10/38
D640,146 S *	6/2011	Tedeschi	D10/39
D649,889 S *	12/2011	Giannini	D10/32
D659,554 S *	5/2012	Yurman	D10/32
D680,884 S *	4/2013	Bernard	D10/32
D702,136 S *	4/2014	Monachon	D10/39
D715,163 S *	10/2014	Jamin	D10/126
D725,501 S *	3/2015	Jamin	D10/124

(Continued)

OTHER PUBLICATIONS

Rolex Explorer II | posted at bobswatches.com No posting date given; Serial/year 2007/2008 Copyright Bob's Watches [online][site visited Sep. 25, 2017]. Available from Internet: <<https://www.bobswatches.com/rolex-explorer-ii-stainless-steel.html>>.*

(Continued)

Primary Examiner — Sandra S Snapp
Assistant Examiner — Katherine Glennon
(74) *Attorney, Agent, or Firm* — Taft Stettinius & Hollister LLP

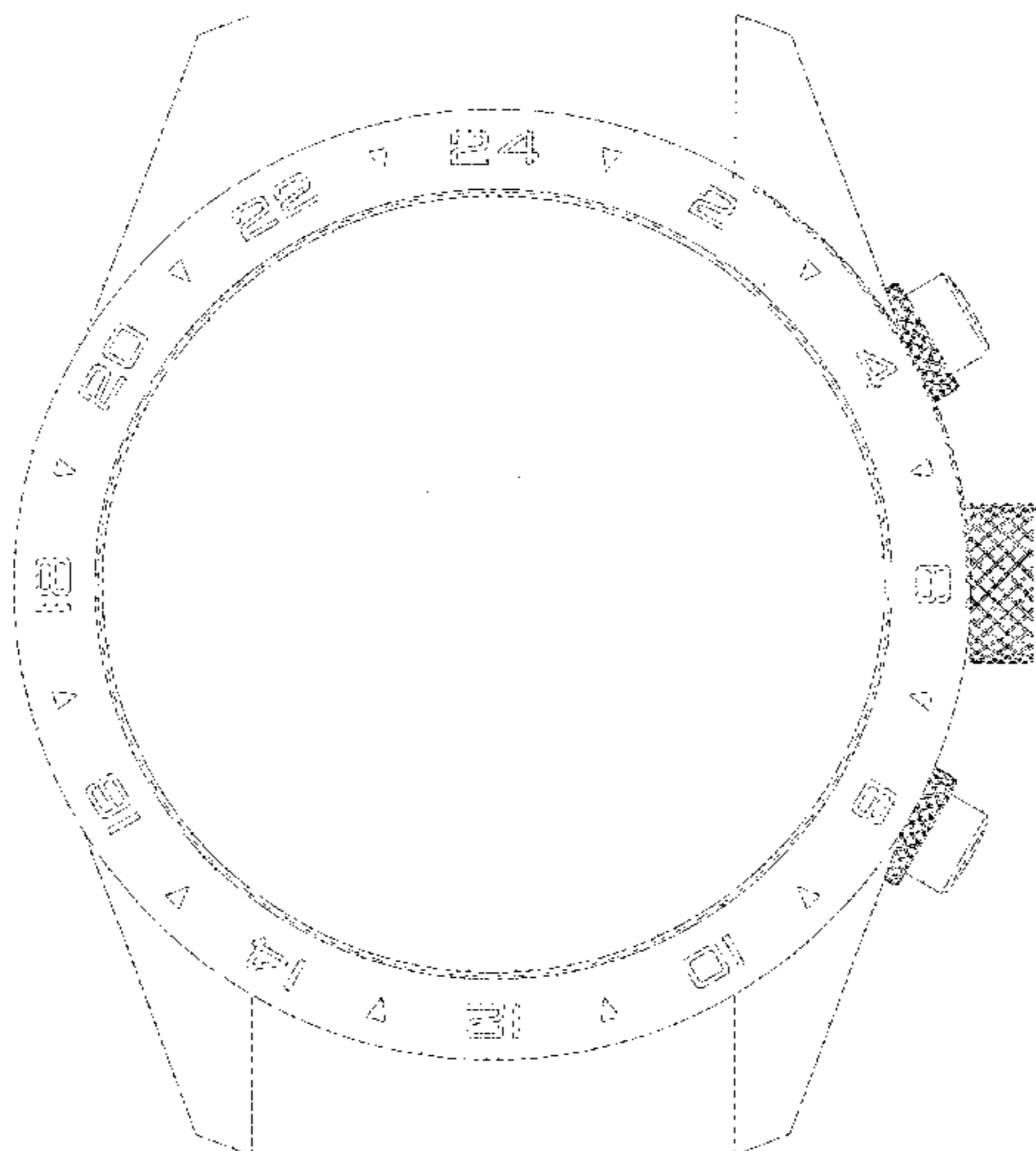
(57) **CLAIM**

The ornamental design for a watch case, as shown and described.

DESCRIPTION

FIG. 1 is a top plan view of a watch case showing my new design;
FIG. 2 is a bottom plan view thereof;
FIG. 3 is a right side elevational view thereof;
FIG. 4 is a left side elevational view thereof;
FIG. 5 is a front elevational view thereof;
FIG. 6 is a rear elevational view thereof; and,
FIG. 7 is a right, top perspective view thereof.
The broken lines in the drawing figures depict unclaimed subject matter that form no part of the claimed design.

1 Claim, 7 Drawing Sheets



(56)

References Cited

U.S. PATENT DOCUMENTS

D725,529 S * 3/2015 Gueit D10/128
D729,638 S * 5/2015 Favre D10/38
D730,201 S * 5/2015 Giannini D10/39
9,411,320 B1 * 8/2016 Liang G04R 20/26
2002/0155407 A1 * 10/2002 Li B26B 17/00
431/120
2004/0141424 A1 * 7/2004 Hartmann G04B 19/283
368/295

OTHER PUBLICATIONS

Tudor Heritage Chronograph Blue 2013 | posted at watchinghorology.blogspot.com Sep. 15, 2013 [online][site visited Sep. 25, 2017]. Available from Internet: <<http://watchinghorology.blogspot.com/2013/09/tudor-heritage-chronograph-blue-most.html>>.*

* cited by examiner

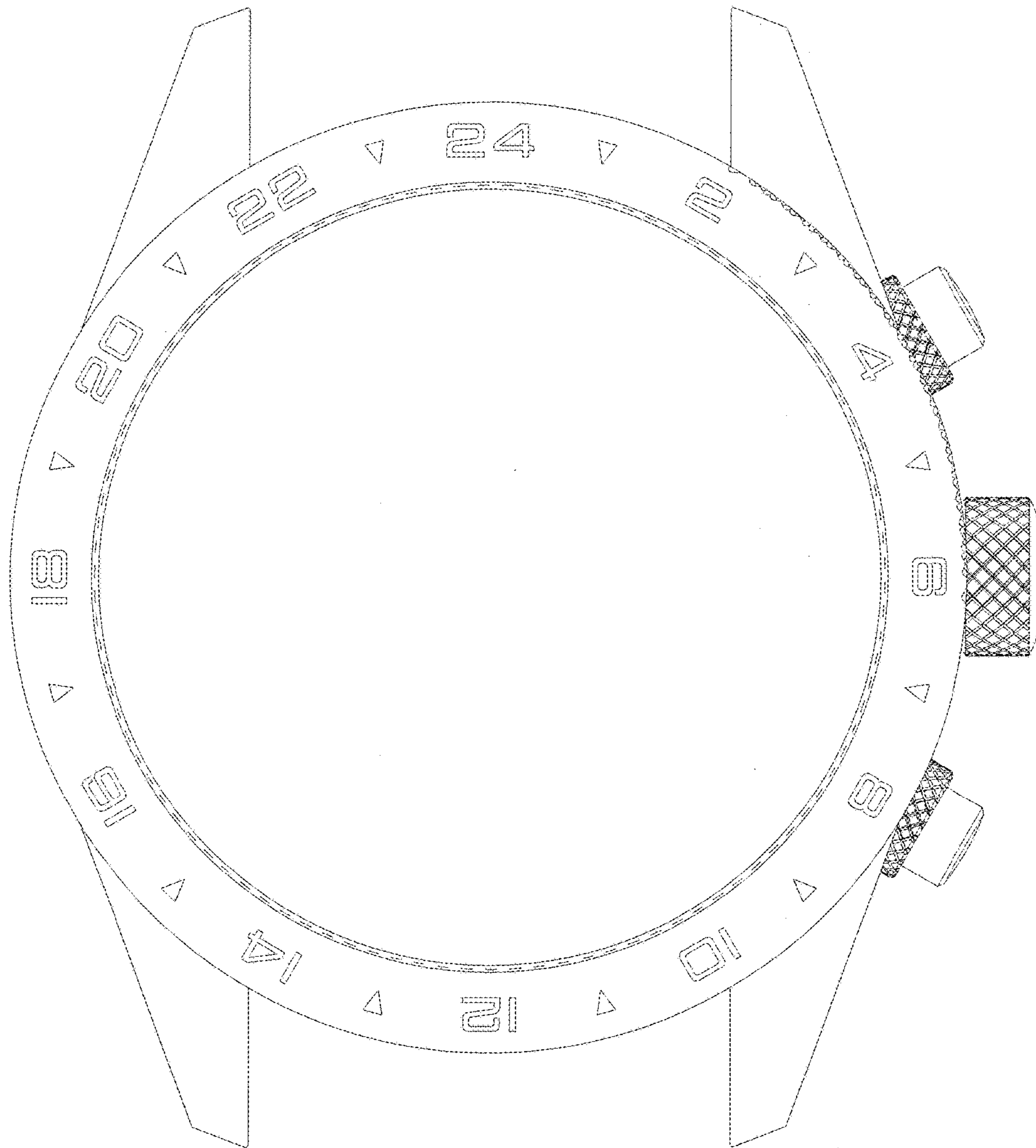


Fig. 1

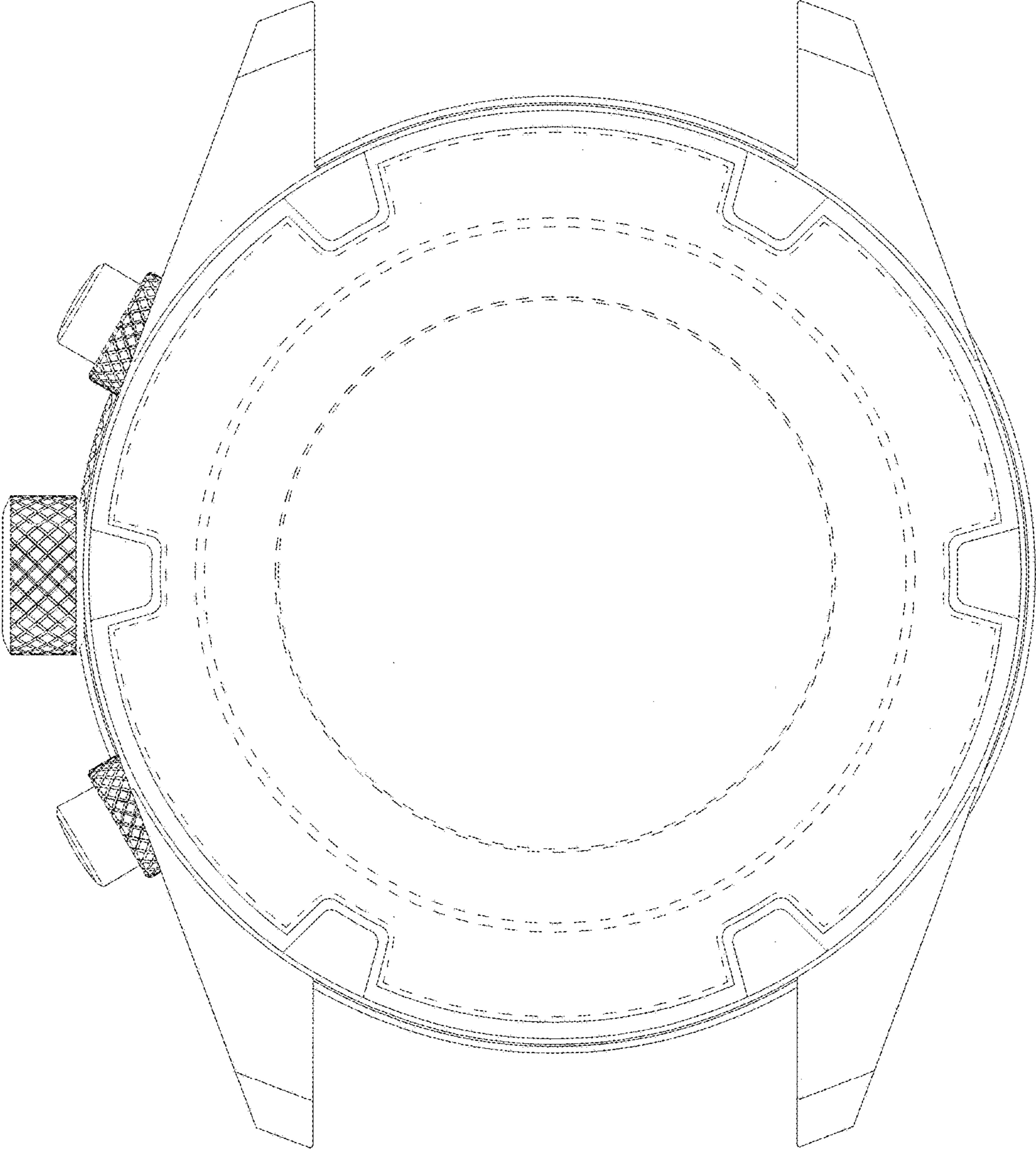


Fig. 2

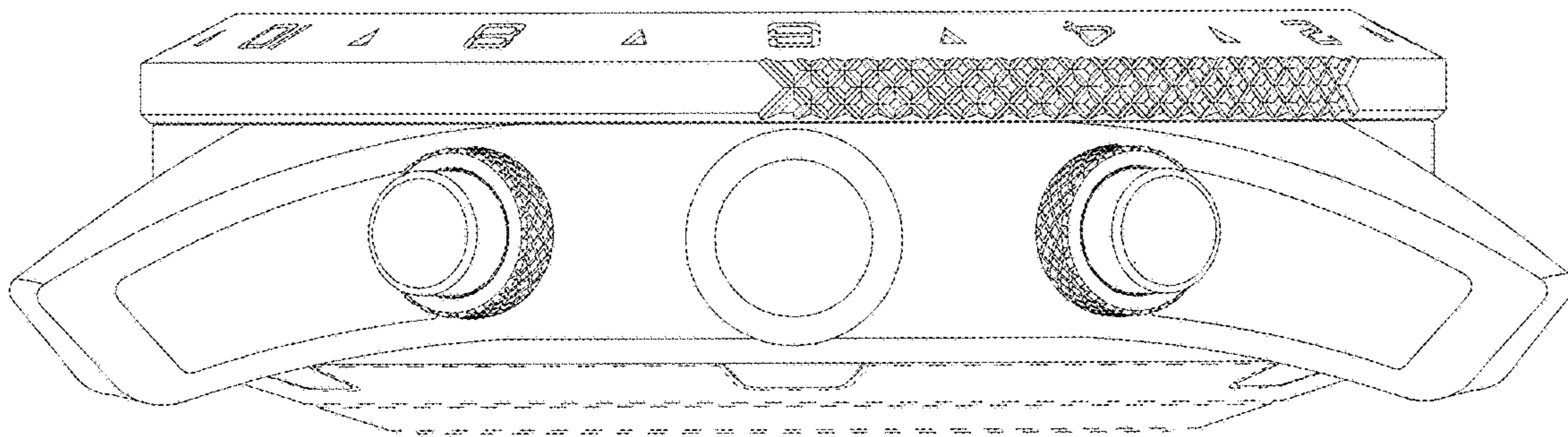


Fig. 3

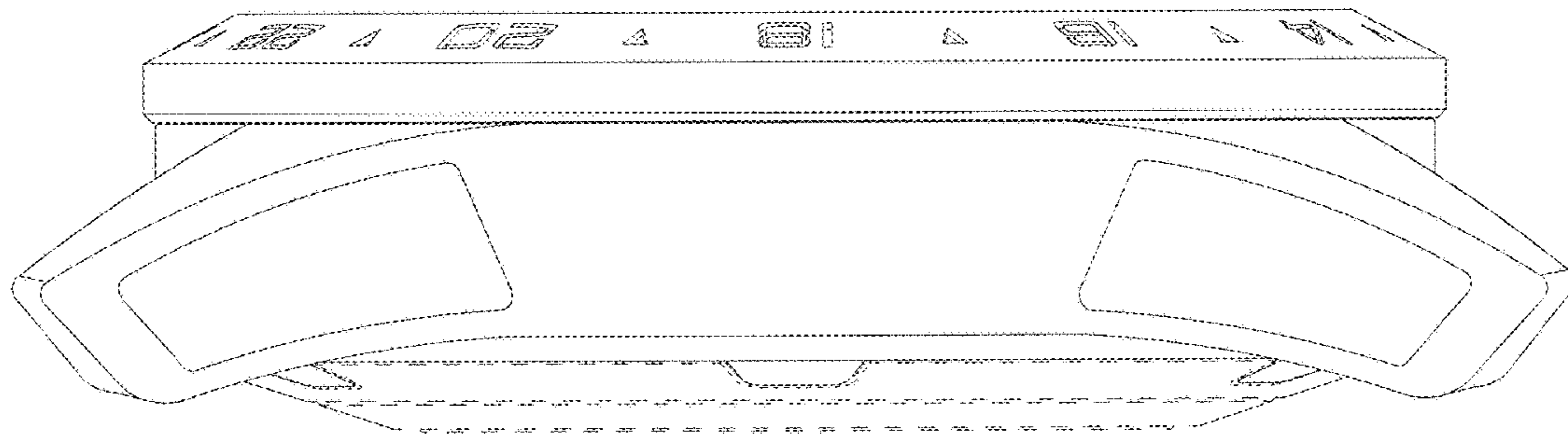


Fig. 4

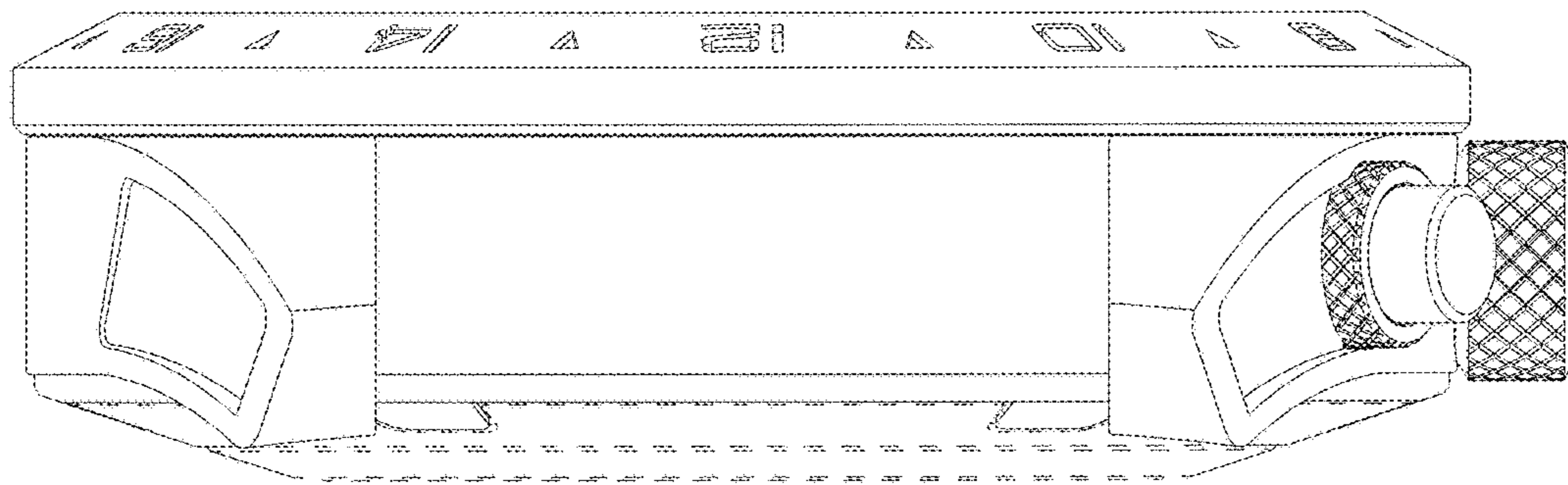


Fig. 5

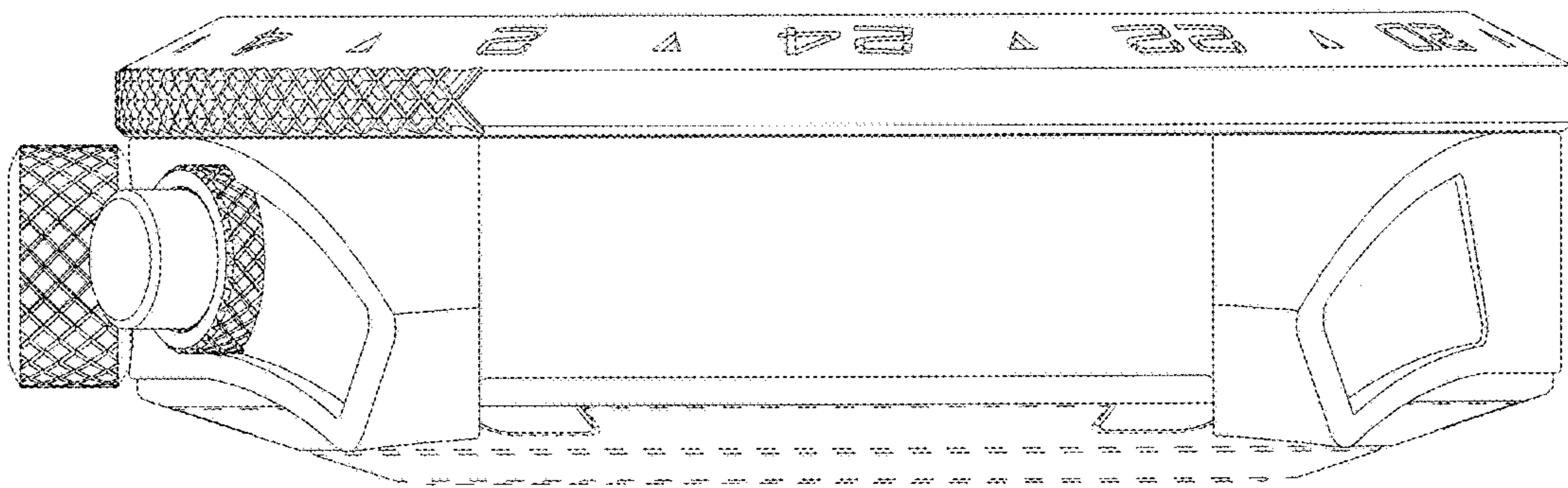


Fig. 6

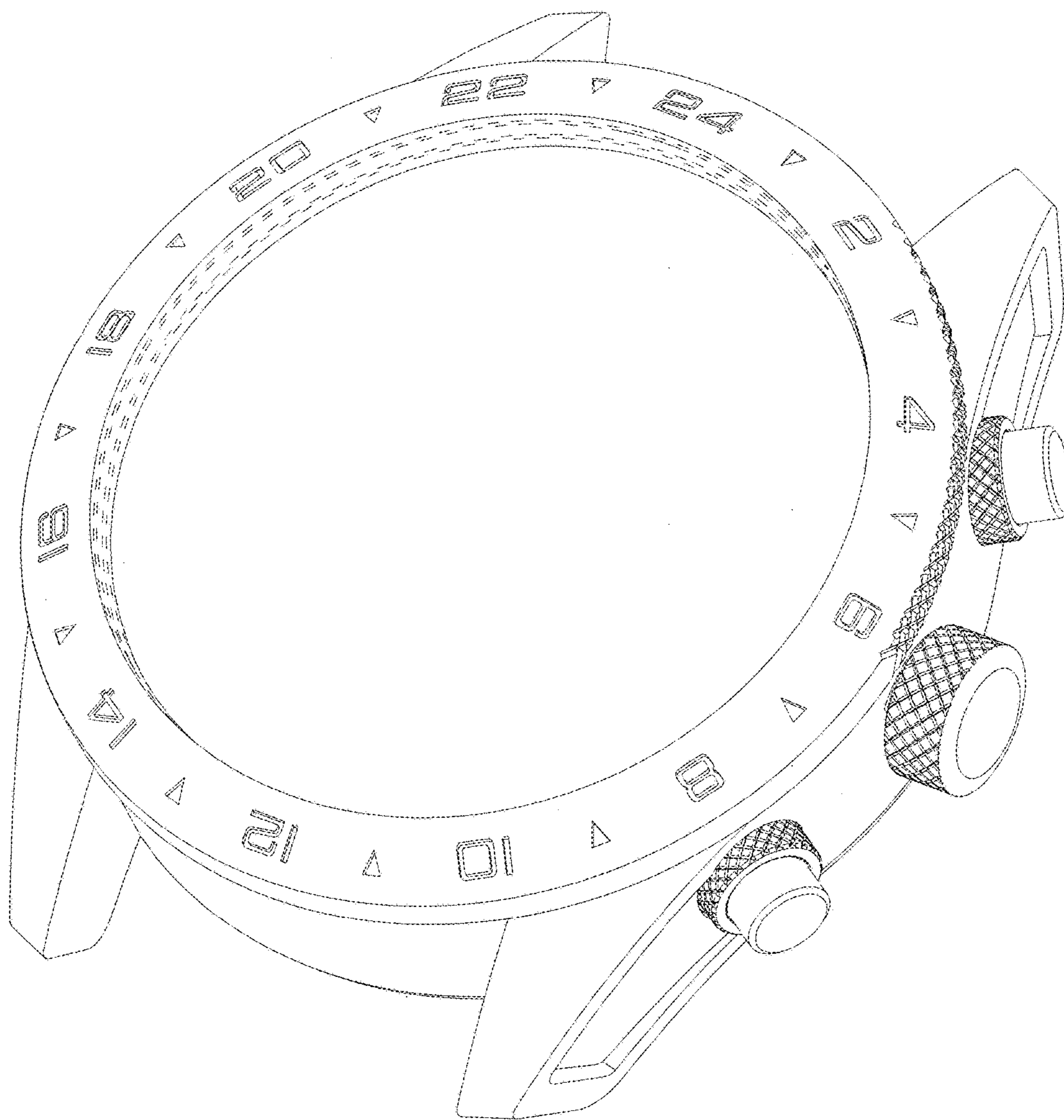


Fig. 7