



US00D820114S

(12) **United States Design Patent** (10) **Patent No.:** **US D820,114 S**  
**Hu** (45) **Date of Patent:** **\*\* Jun. 12, 2018**

(54) **ALARM CLOCK**

FOREIGN PATENT DOCUMENTS

(71) Applicant: **MPOW TECHNOLOGY CO., LIMITED**, Hong Kong (HK)

CN 302991331 11/2014  
EM 004663086-0001 1/2018

(72) Inventor: **Zaihui Hu**, Shenzhen (CN)

OTHER PUBLICATIONS

(73) Assignee: **MPOW TECHNOLOGY CO., LIMITED**, Hong Kong (HK)

Sierra Curved LED Dual Alarm Clock | posted at amazon.com Feb. 2015 © 1996-2018, Amazon.com, Inc © 1996-2018, Amazon.com, Inc [online][site visited Mar. 9, 2018]. Available from Internet: <[https://www.amazon.co.uk/dp/B00TU6OFBK/ref=psdc\\_3028569031\\_t1\\_B0154PESIA](https://www.amazon.co.uk/dp/B00TU6OFBK/ref=psdc_3028569031_t1_B0154PESIA)> (Year: 2015).\*

(\*\*) Term: **15 Years**

(Continued)

(21) Appl. No.: **29/640,508**

(22) Filed: **Mar. 15, 2018**

*Primary Examiner* — Sandra S Snapp

(51) **LOC (11) Cl.** ..... **10-01**

*Assistant Examiner* — Katherine Glennon

(52) **U.S. Cl.**  
USPC ..... **D10/15**

(74) *Attorney, Agent, or Firm* — JCIPRNET

(58) **Field of Classification Search**  
USPC ..... D10/1-3, 6, 14-16, 23, 30-39, 41, 65,  
D10/70; D11/3, 14, 31, 52; D14/171,  
D14/344; D24/167, 186; D6/308, 310  
See application file for complete search history.

(57) **CLAIM**

The ornamental design for an alarm clock, as shown and described.

(56) **References Cited**

U.S. PATENT DOCUMENTS

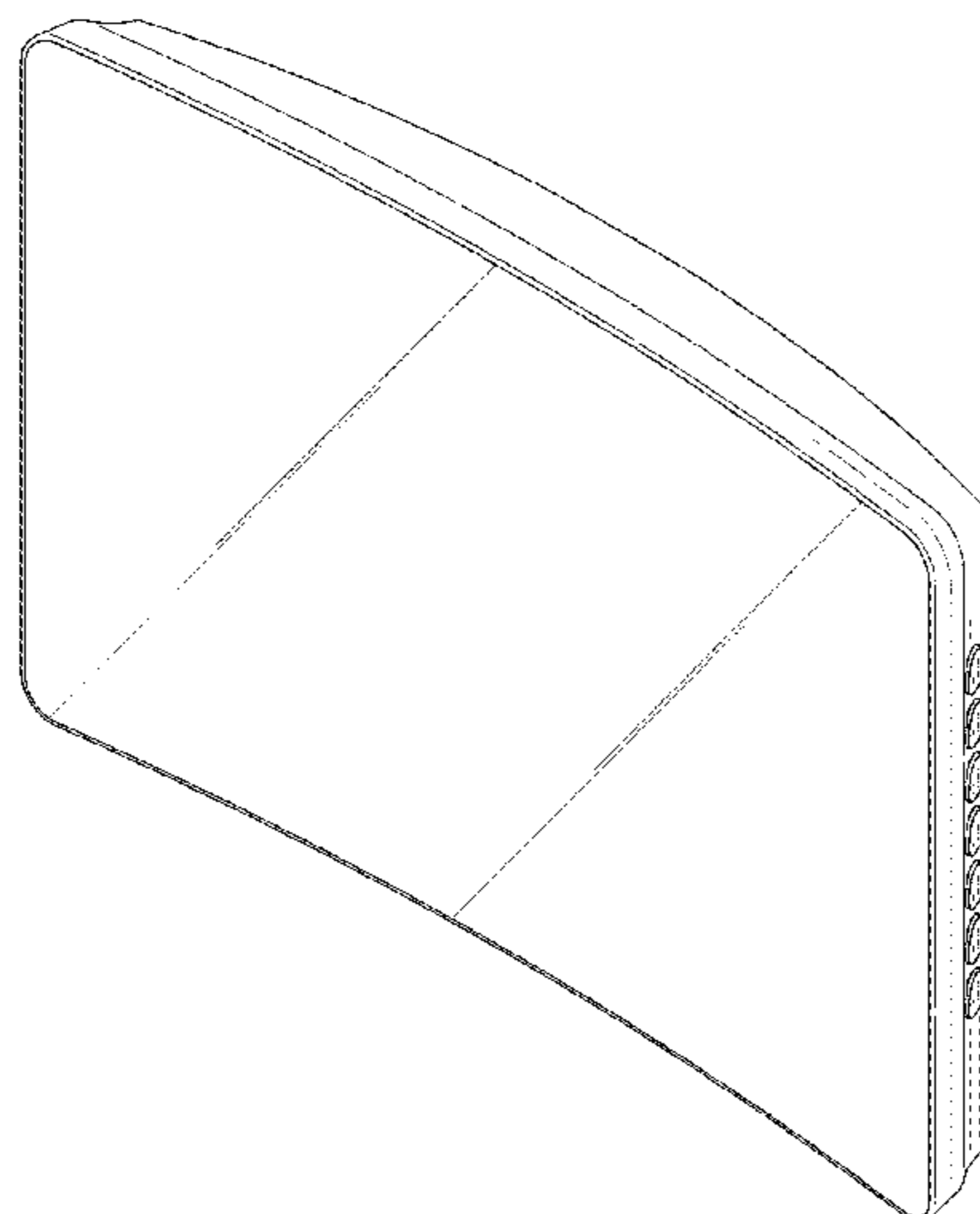
**DESCRIPTION**

D312,971 S \* 12/1990 Takashima ..... D10/10  
D449,589 S \* 10/2001 Ishibashi ..... D14/171  
D514,546 S \* 2/2006 Chan ..... D14/171  
D561,611 S \* 2/2008 Chu ..... D10/15  
D572,025 S \* 7/2008 Kwon ..... D14/371  
D591,518 S \* 5/2009 Zhai ..... D14/371  
D600,456 S \* 9/2009 Son ..... D14/371  
D610,814 S \* 3/2010 Chigira ..... D6/308  
D613,076 S \* 4/2010 Chyan ..... D14/371  
D615,959 S \* 5/2010 Xiao ..... D10/2  
D618,463 S \* 6/2010 Nagase ..... D6/300  
D634,131 S \* 3/2011 Utsunomiya ..... D6/308  
D637,822 S \* 5/2011 Utsunomiya ..... D6/308  
D675,031 S \* 1/2013 Presgraves ..... D6/300  
D679,610 S \* 4/2013 Kang ..... D10/24  
D689,842 S \* 9/2013 Jones ..... D14/171  
D723,945 S \* 3/2015 Le Bot ..... D10/30

FIG. 1 is a perspective view of an alarm clock showing my new design;  
FIG. 2 is a front view thereof;  
FIG. 3 is a rear view thereof;  
FIG. 4 is a left side view thereof;  
FIG. 5 is a right side view thereof;  
FIG. 6 is a top view thereof;  
FIG. 7 is a bottom view thereof;  
FIG. 8 is another perspective view thereof; and,  
FIG. 9 is a perspective view thereof with the kickstand rotated.  
The dashed broken lines illustrate portions of the alarm clock and form no part of the claimed design.

(Continued)

**1 Claim, 7 Drawing Sheets**



(56)

**References Cited**

U.S. PATENT DOCUMENTS

D741,070 S \* 10/2015 Martin ..... D14/375  
D782,993 S \* 4/2017 Wang ..... D14/138 G  
D784,165 S \* 4/2017 Nishi ..... D10/1  
2015/0123669 A1\* 5/2015 Tang ..... G01R 33/07  
324/427

OTHER PUBLICATIONS

Frigidaire Curved Thermometer | posted at amazon.com n.d. ©  
1996-2018, Amazon.com, Inc [online][site visited Apr. 10, 2018].  
Available from internet: <<https://www.amazon.com/Frigidaire-308-2408FR-Wireless-Mirrored-Thermometer/dp/B016S6J6OK>>  
(Year: 2018).\*

\* cited by examiner

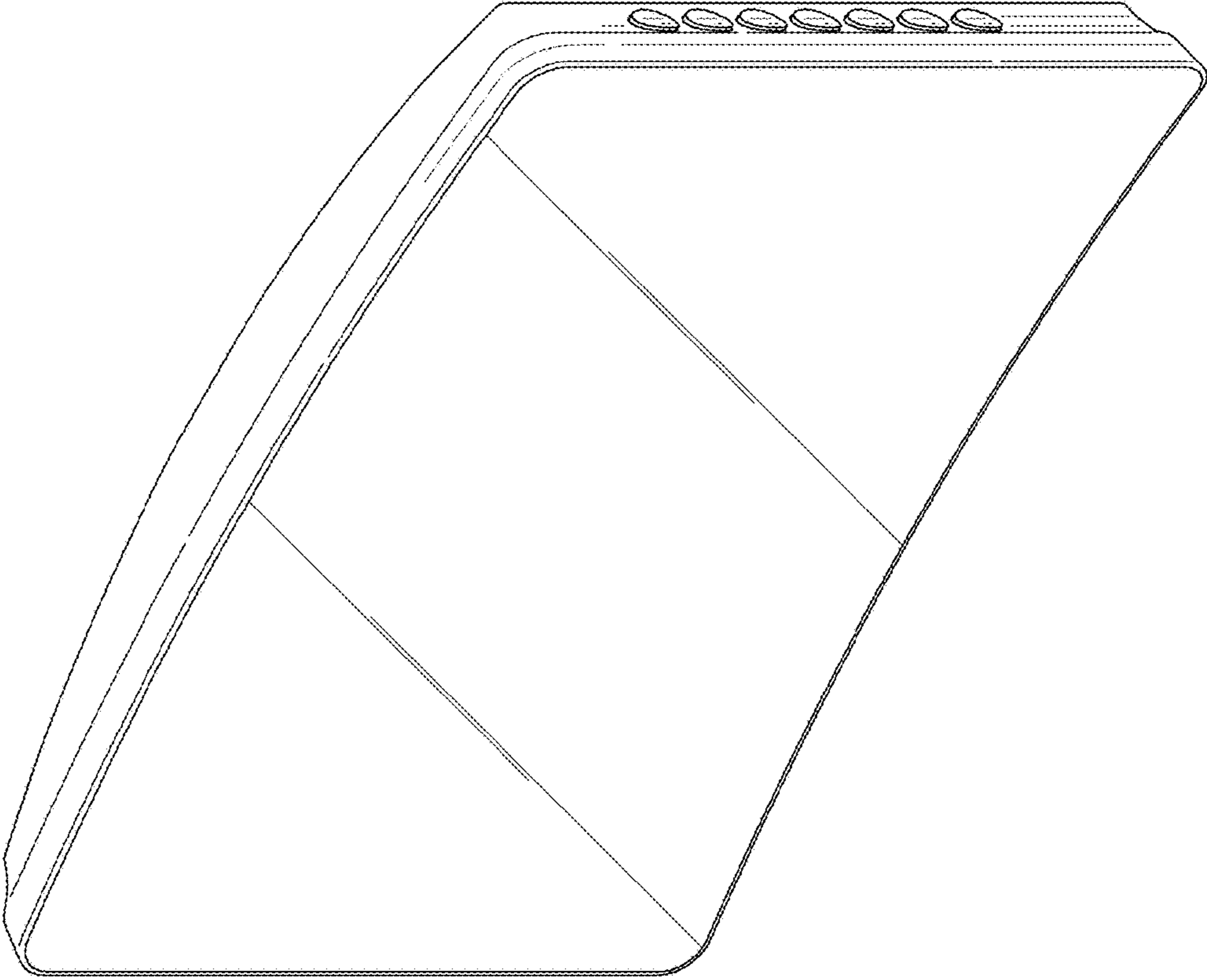


FIG. 1

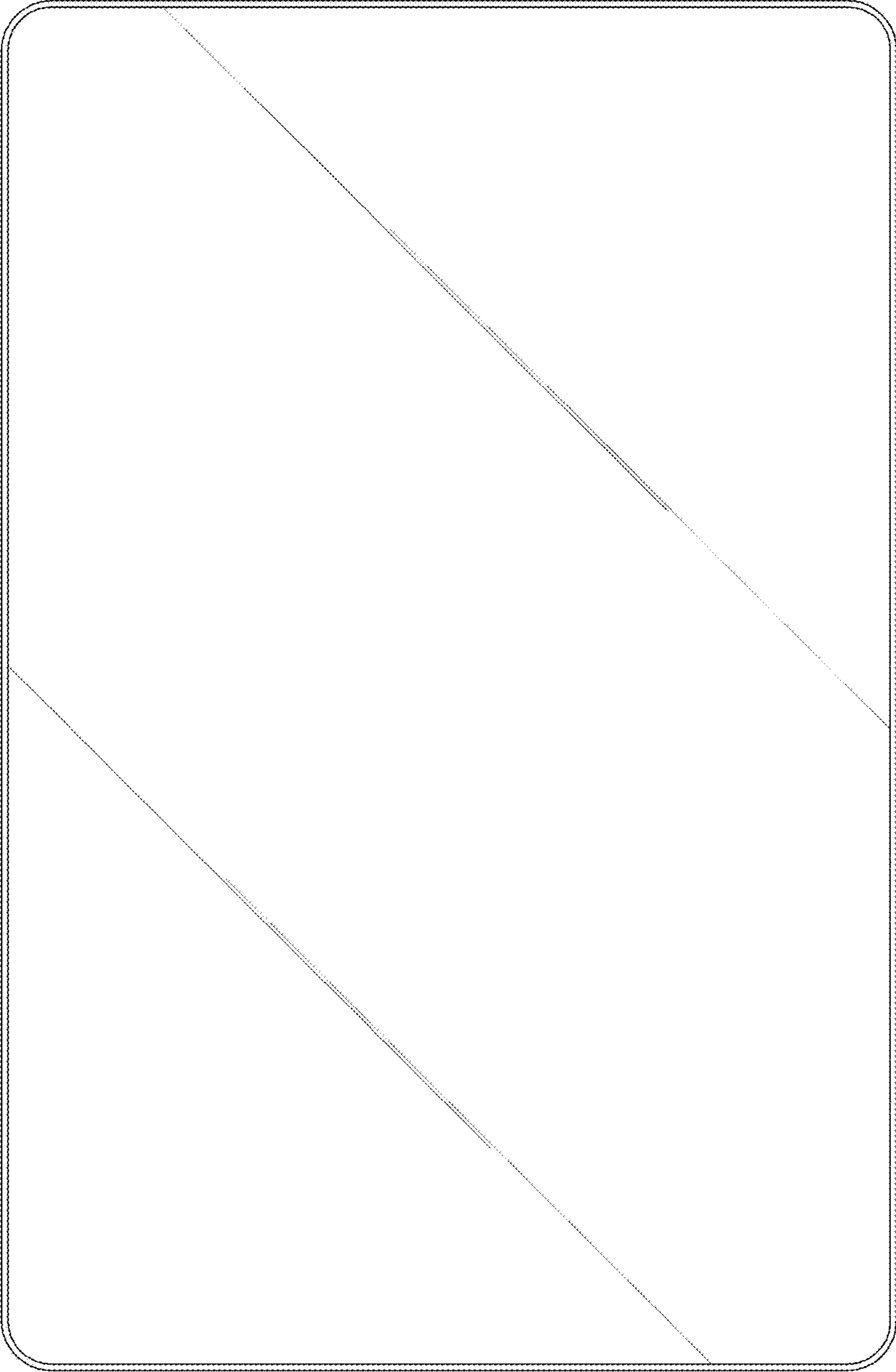


FIG. 2

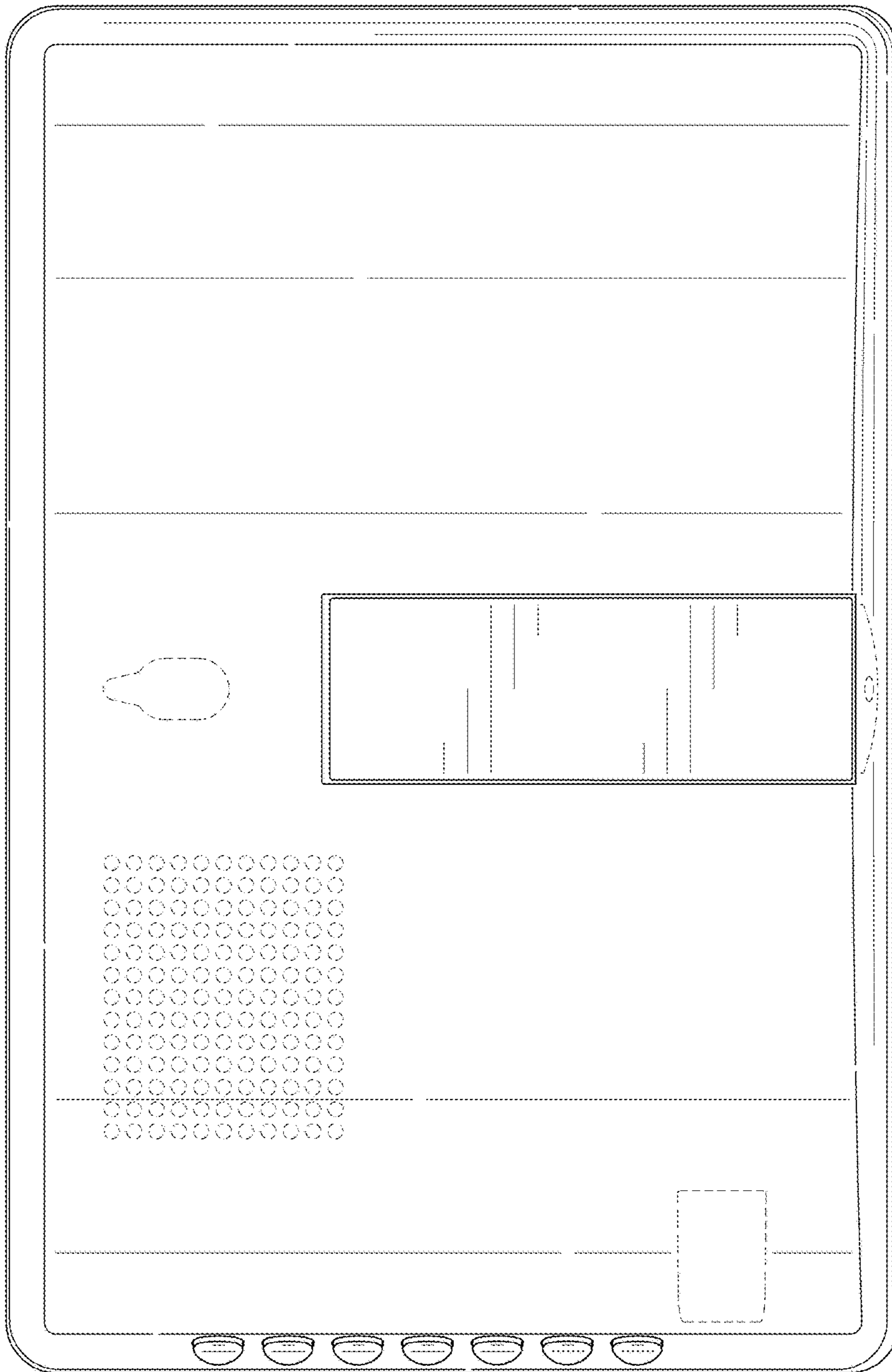


FIG. 3

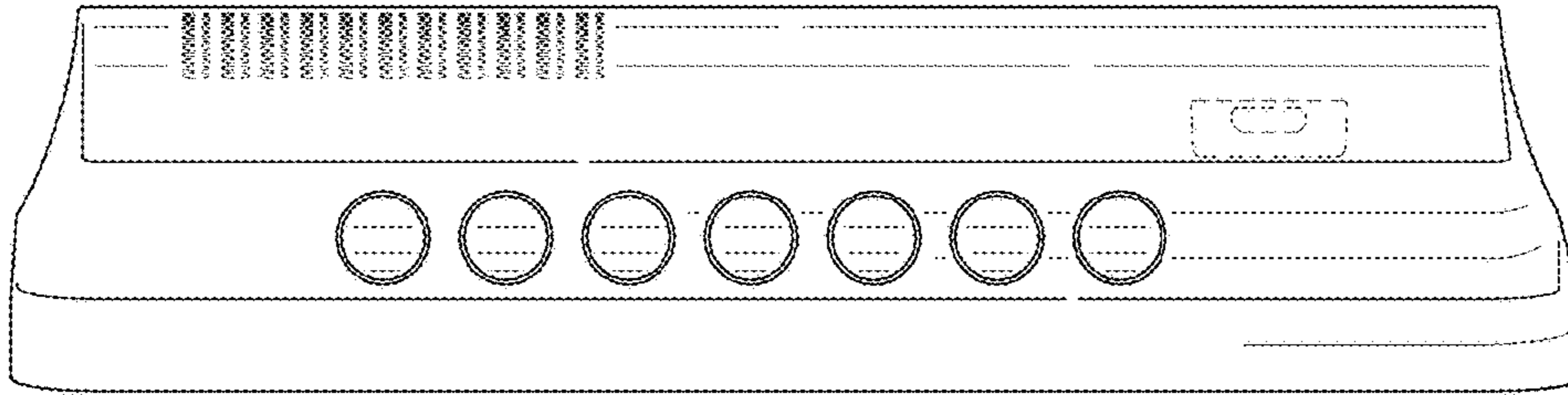


FIG. 5

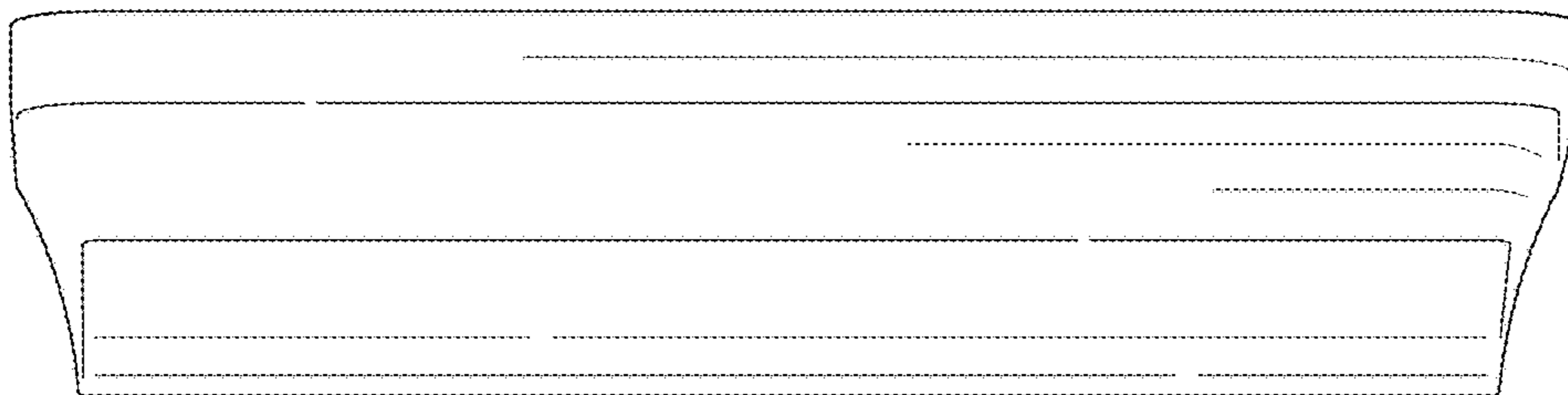


FIG. 4

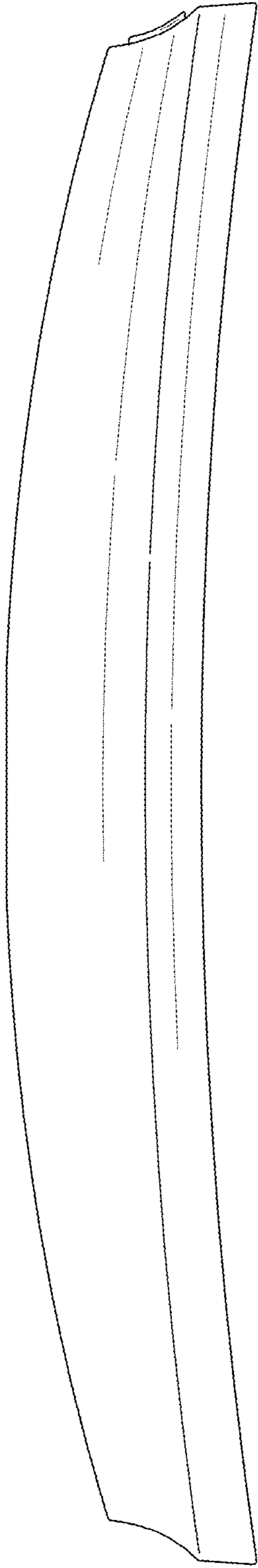


FIG. 6

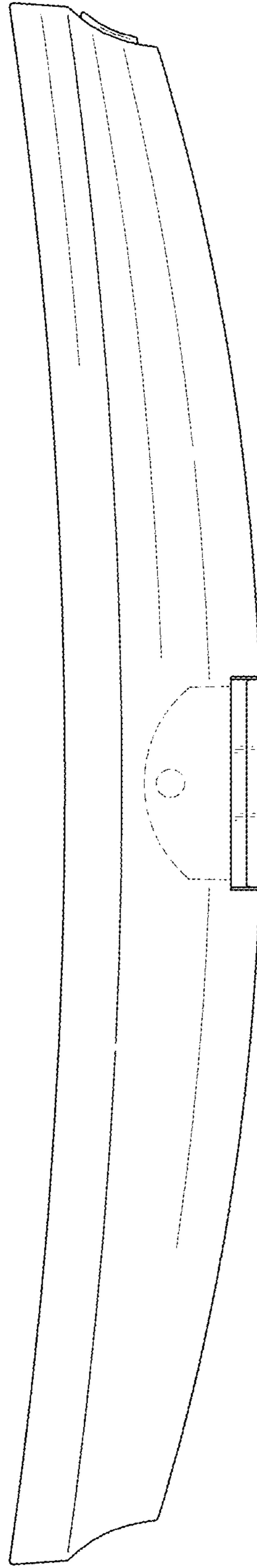


FIG. 7

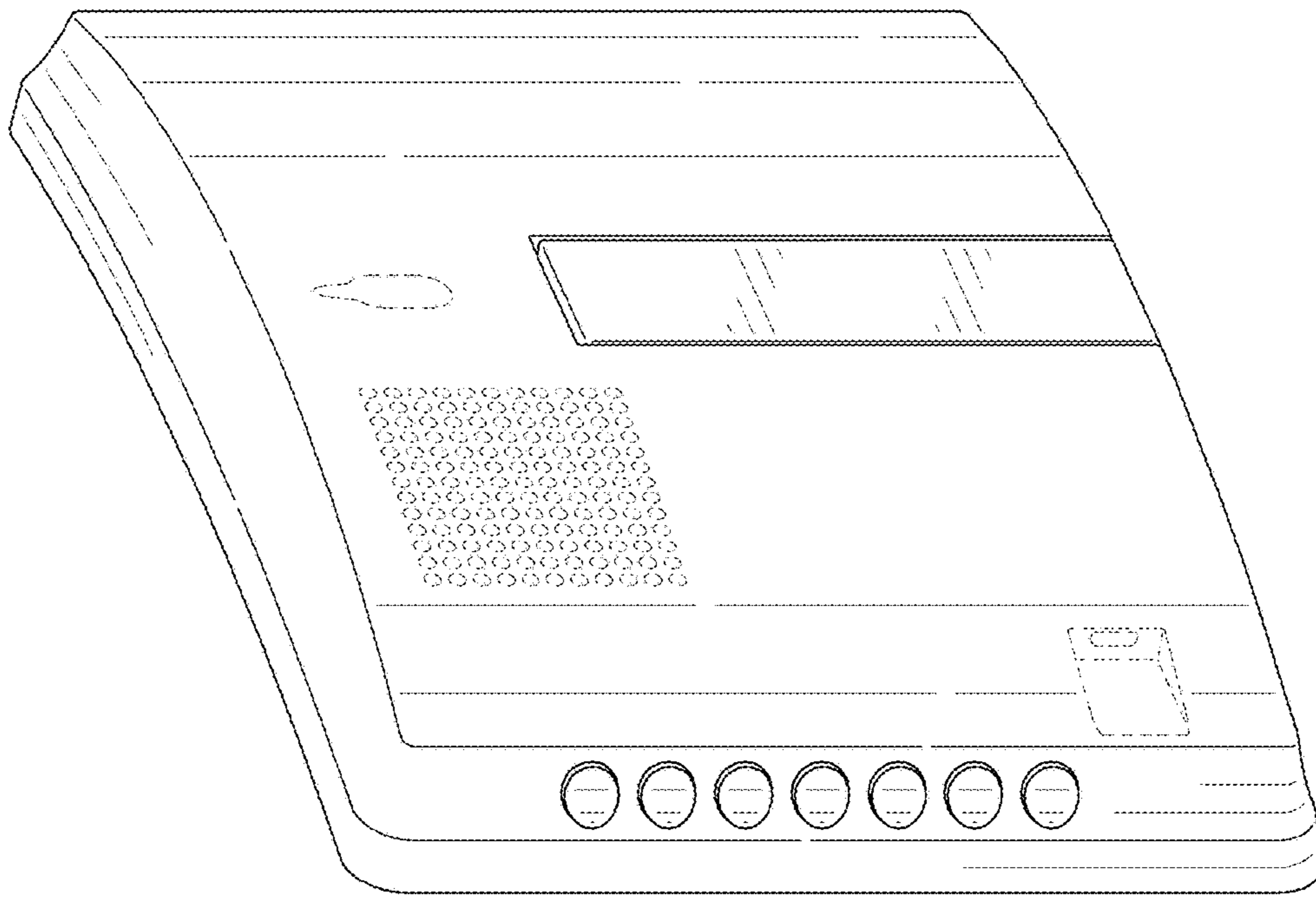


FIG. 8



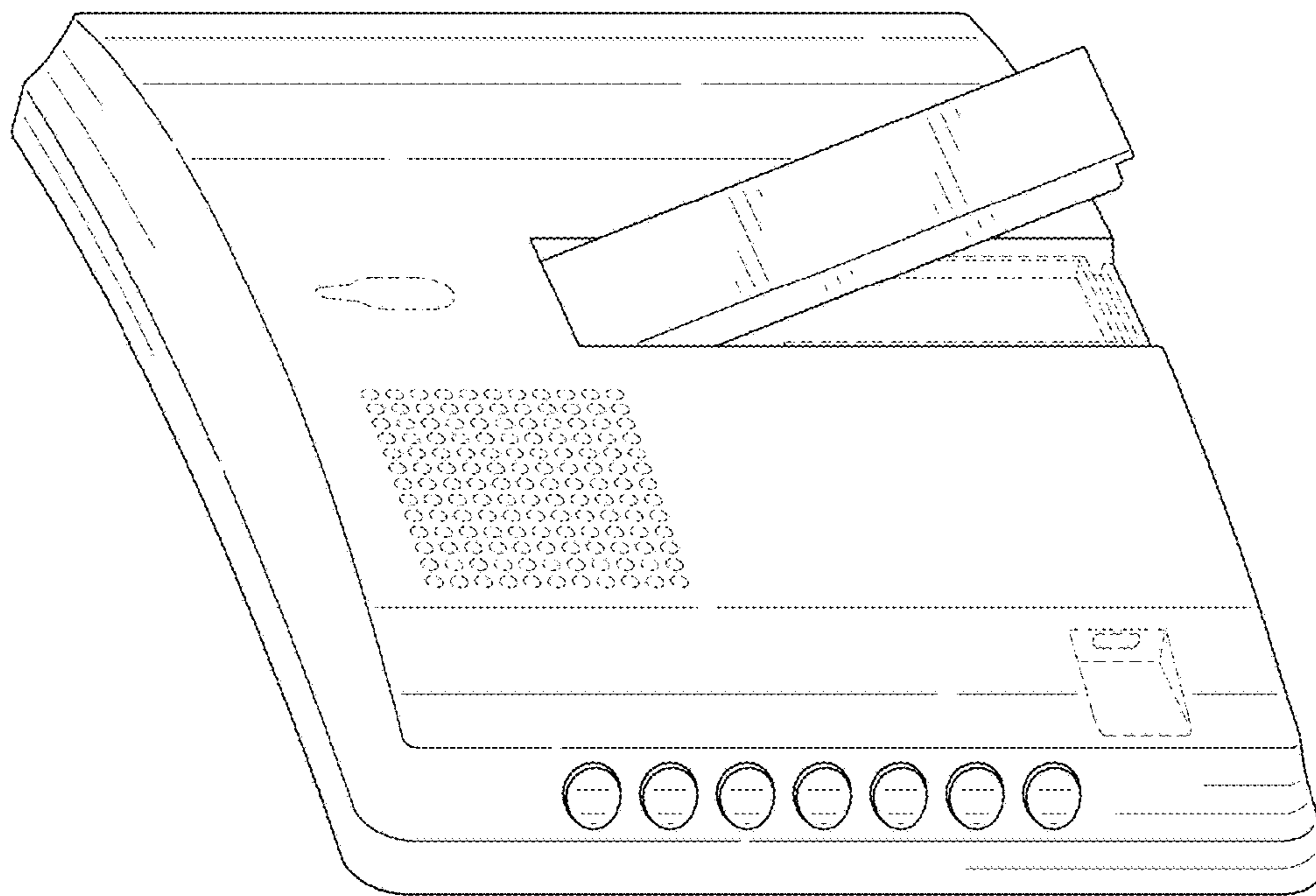


FIG. 9