



US00D820113S

(12) **United States Design Patent**
Liberman

(10) **Patent No.:** **US D820,113 S**
(45) **Date of Patent:** **** Jun. 12, 2018**

(54) **CLOCK**
(71) Applicant: **Kinekt Design LLC**, Livingston, NJ (US)
(72) Inventor: **Glen Liberman**, Short Hills, NJ (US)
(73) Assignee: **Kinekt Design**, Livingston, NJ (US)
(**) Term: **15 Years**
(21) Appl. No.: **29/587,582**
(22) Filed: **Dec. 14, 2016**
(51) **LOC (11) Cl.** **10-02**
(52) **U.S. Cl.**
USPC **D10/2**
(58) **Field of Classification Search**
USPC D10/1-3, 6, 14-16, 23, 30-39, 41, 65,
D10/70; D11/3, 14, 31, 52; D14/344;
D24/167, 186; D6/310
See application file for complete search history.

D467,818 S * 12/2002 Chan D10/25
D475,985 S * 6/2003 Huang D14/129
D518,300 S * 4/2006 Dele-Ogunrinde D6/301
D635,129 S * 3/2011 Kim D14/239
D636,277 S * 4/2011 Starck D10/25
D694,128 S * 11/2013 Liberman D10/24
D736,112 S * 8/2015 Gual Feliu D10/127

OTHER PUBLICATIONS

Jaeger LeCoultre Mystery Desk Clock | Posted at aspireauctions.com Oct. 2011 [online][site visited Apr. 9, 2018]. Available from Internet: <<https://www.aspireauctions.com/#!/catalog/310/1308/lot/46197>> (Year: 2011).*
Electric Mystery Clocks | posted at chronometrophilia.com Mar. 2003 [online][site visited Apr. 9, 2018]. Available from Internet: <<http://www.chronometrophilia.ch/Electric-clocks/mysterious.htm>> (Year: 2003).*

* cited by examiner

Primary Examiner — Sandra S Snapp
Assistant Examiner — Katherine Glennon
(74) *Attorney, Agent, or Firm* — Julie F. Kirloy; Ansson Munger McKinley + Kirby Ltd

(56) **References Cited**

U.S. PATENT DOCUMENTS

2,004,814 A * 6/1935 Knobel G04B 18/02
368/127
2,998,126 A * 8/1961 Jenkins A47G 1/12
206/0.83
D208,927 S * 10/1967 Thomas D10/125
D274,703 S * 7/1984 Vogel D10/15
D276,314 S * 11/1984 Walch D10/25
D302,137 S * 7/1989 Leavitt D10/129
D308,490 S * 6/1990 Ziegler D10/6
D309,112 S * 7/1990 Ziegler D10/6
D346,965 S * 5/1994 Wolff D10/1
D416,823 S * 11/1999 Turner D10/127
D418,984 S * 1/2000 Koconis D6/300
D464,271 S * 10/2002 Yau D10/26

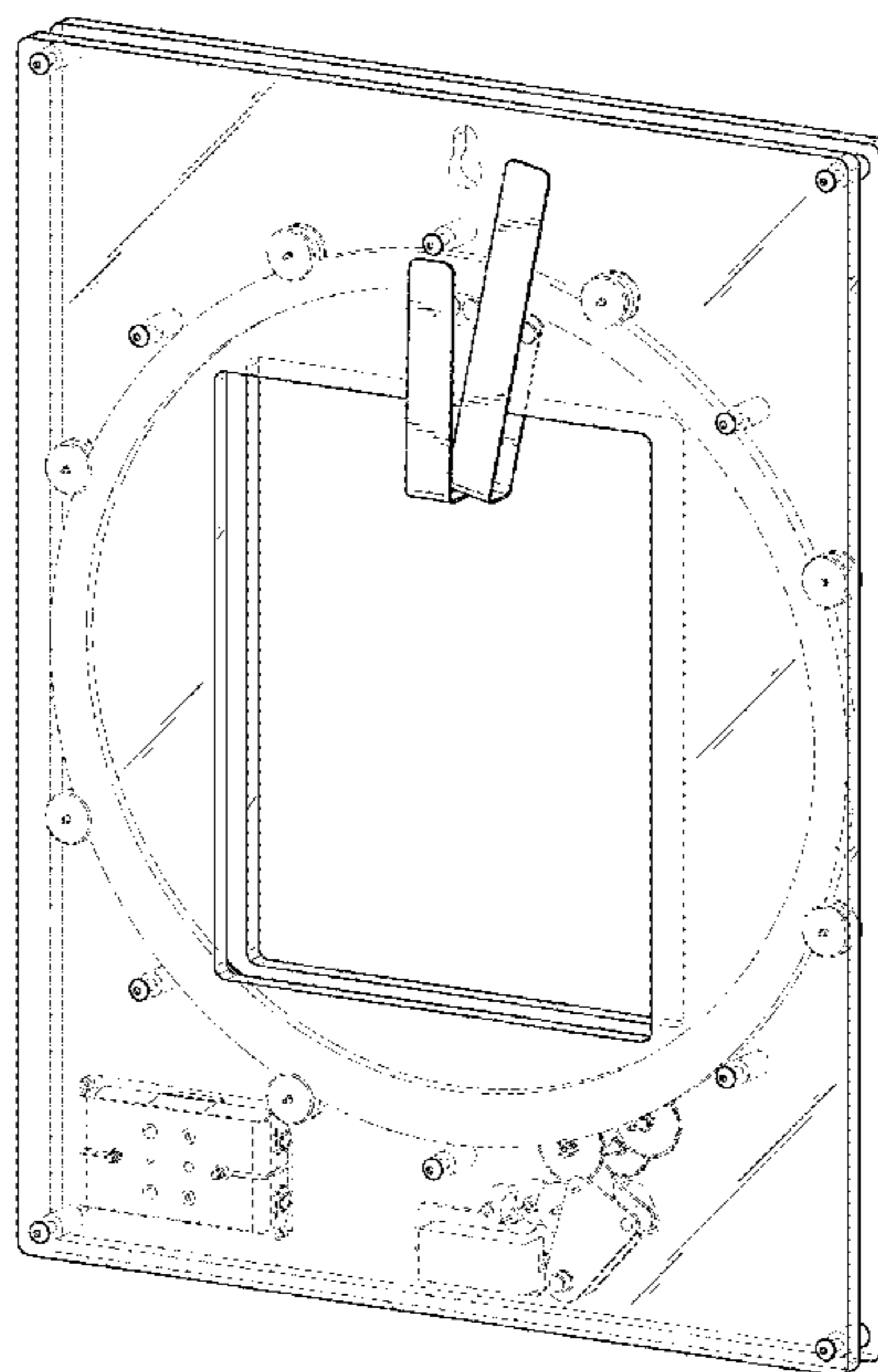
(57) **CLAIM**

The ornamental design for a clock, as shown and described.

DESCRIPTION

FIG. 1 is a perspective view of the clock of the present design;
FIG. 2 is a front view of the clock shown in FIG. 1;
FIG. 3 is a rear view of the clock shown in FIG. 1;
FIG. 4 is a right side view of the clock of FIG. 1;
FIG. 5 is a left side view of the clock of FIG. 1;
FIG. 6 is an bottom view of the clock of FIG. 1; and,
FIG. 7 is an top view of the clock in FIG. 1.

1 Claim, 5 Drawing Sheets



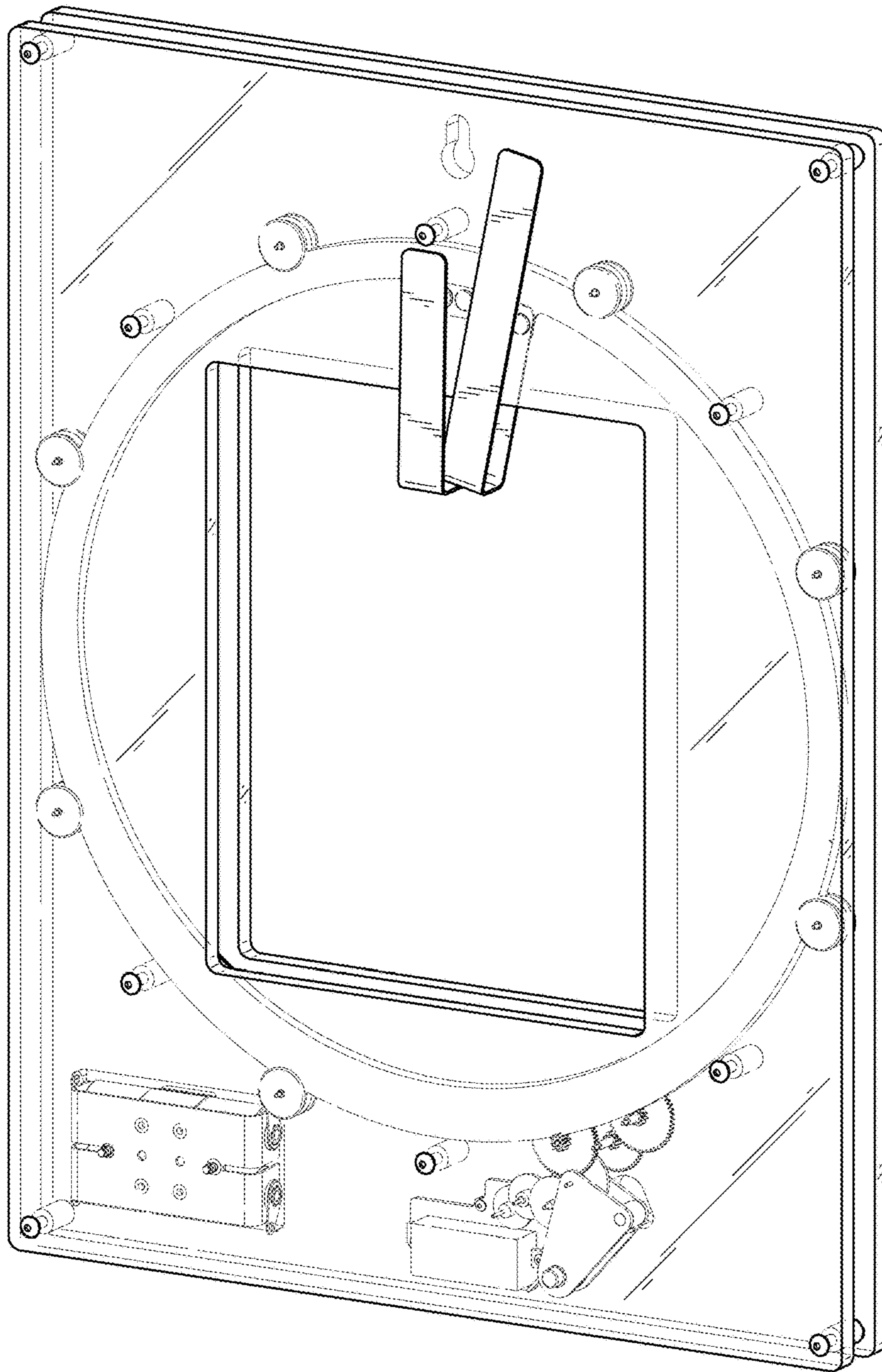


FIG. 1

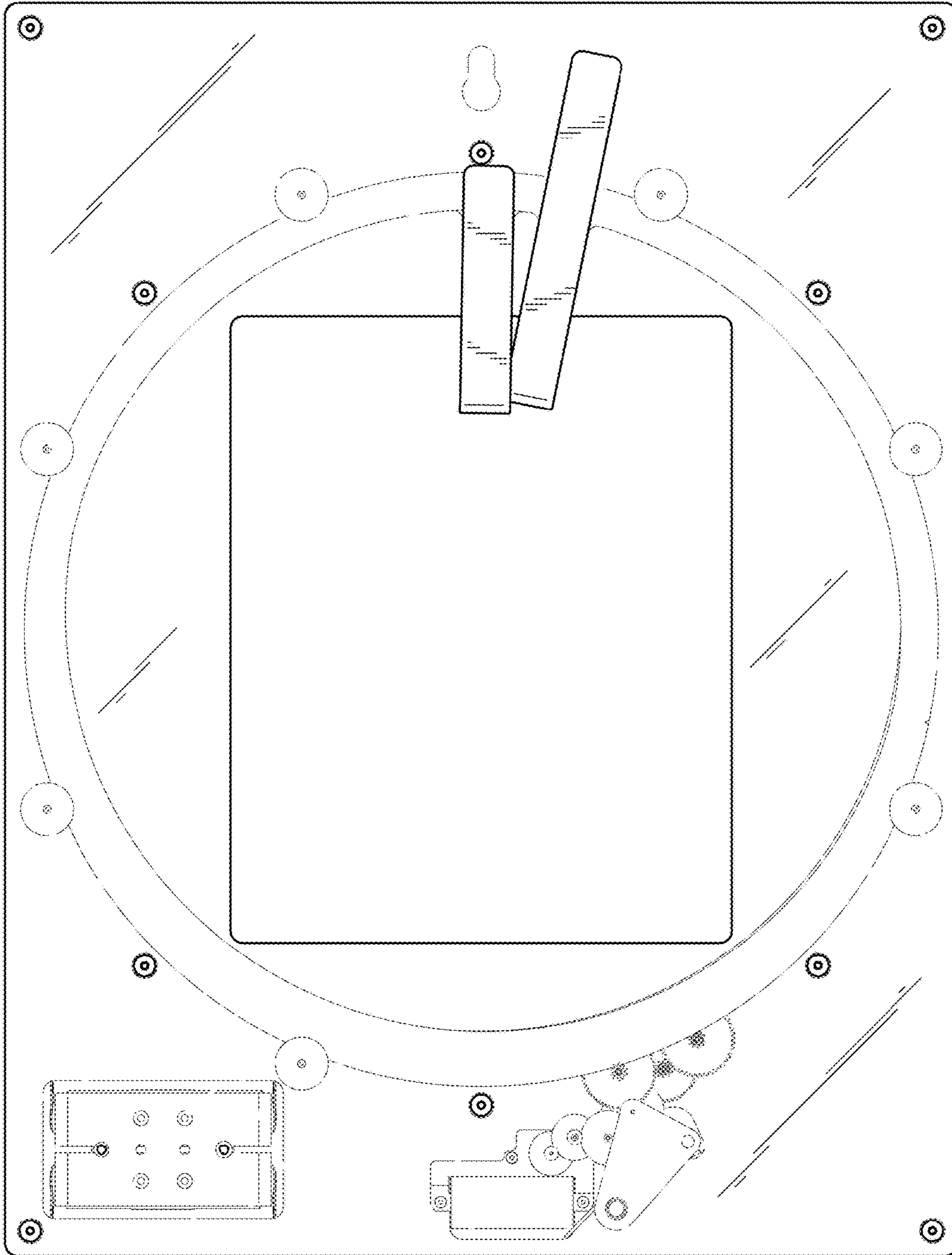


FIG. 2

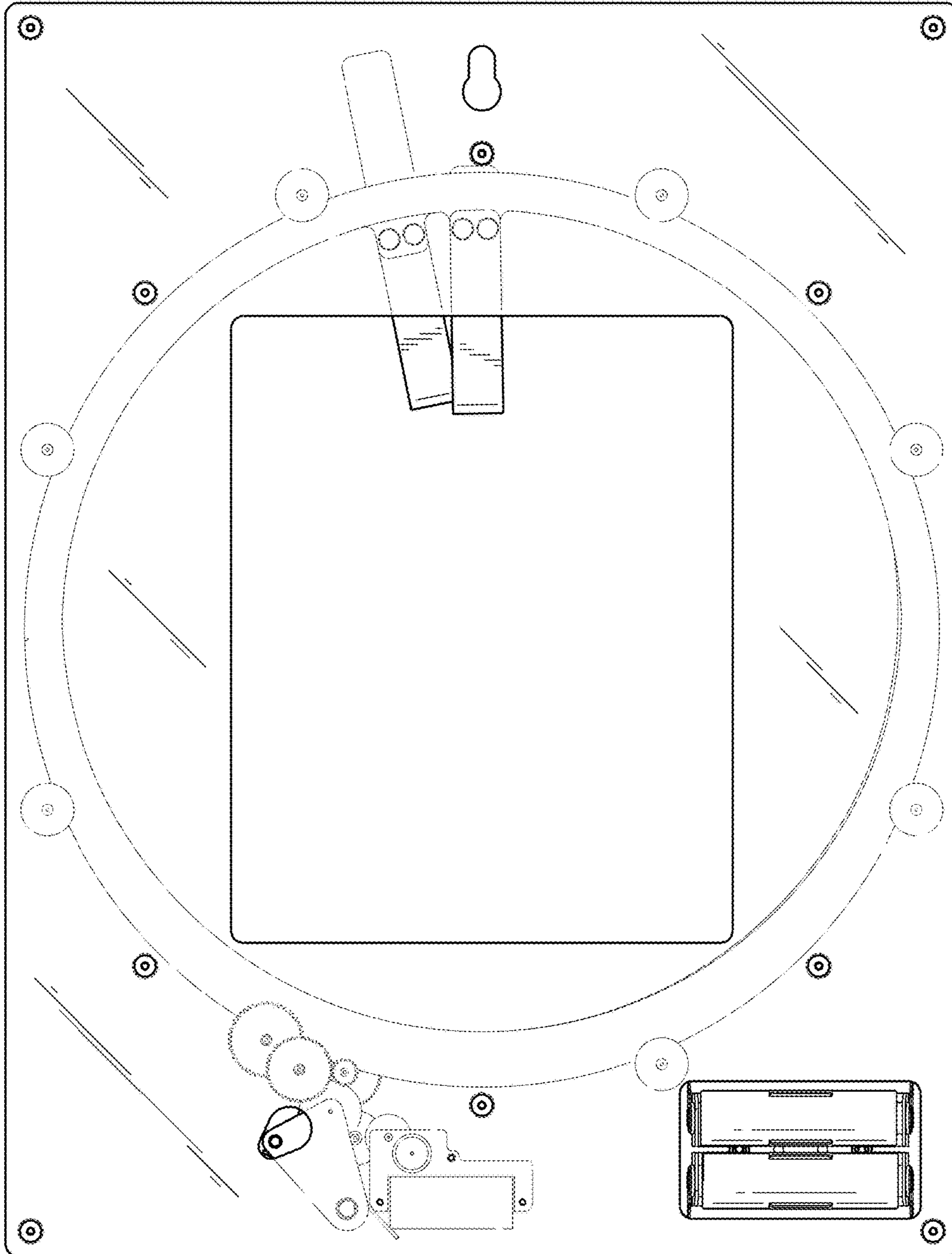


FIG. 3

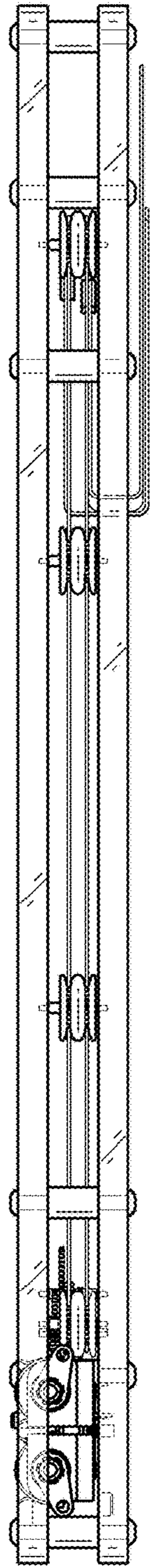


FIG. 4

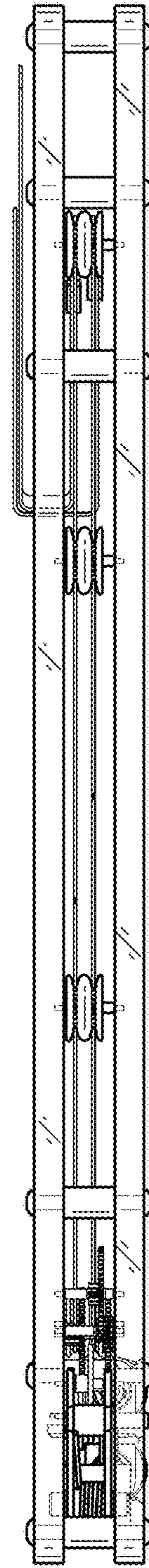


FIG. 5

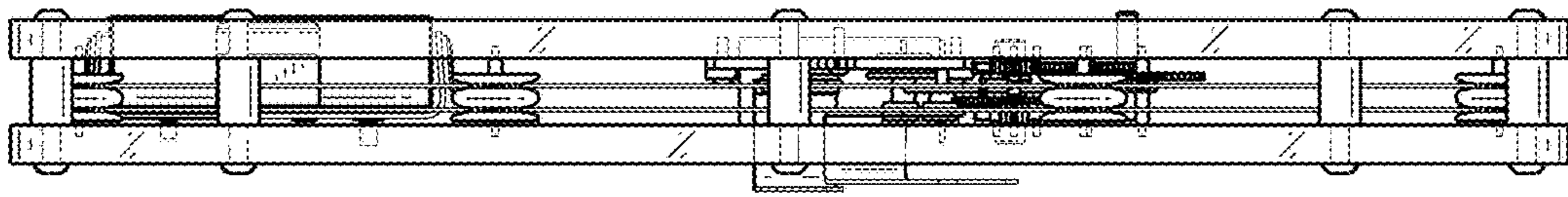


FIG. 6

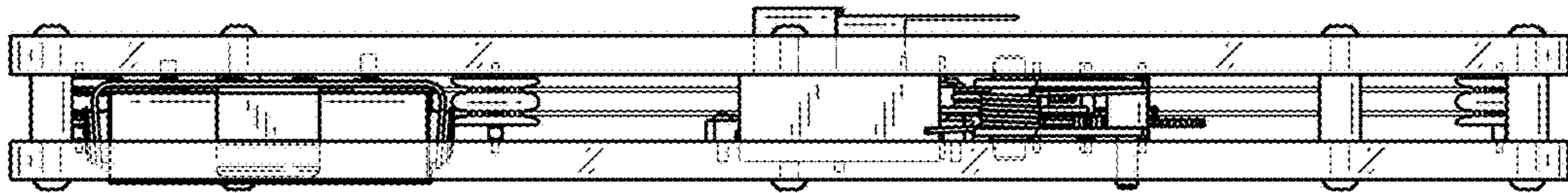


FIG. 7