



US00D820112S

(12) **United States Design Patent**
Corsi et al.

(10) **Patent No.:** **US D820,112 S**
(45) **Date of Patent:** **** Jun. 12, 2018**

(54) **COSMETICS HOLDER**

(71) Applicants: **Steve Corsi**, Los Angeles, CA (US);
Jacky Gunter, Westlake Village, CA
(US); **Angela Munoz**, Burbank, CA
(US); **Kristen O’Connell**, Woodland
Hills, CA (US)

(72) Inventors: **Steve Corsi**, Los Angeles, CA (US);
Jacky Gunter, Westlake Village, CA
(US); **Angela Munoz**, Burbank, CA
(US); **Kristen O’Connell**, Woodland
Hills, CA (US)

(**) Term: **15 Years**

(21) Appl. No.: **29/577,196**

(22) Filed: **Sep. 9, 2016**

Related U.S. Application Data

(63) Continuation of application No. 15/257,911, filed on
Sep. 7, 2016, and a continuation of application No.
29/577,194, filed on Sep. 9, 2016.

(51) **LOC (11) Cl.** **09-01**

(52) **U.S. Cl.**
USPC **D9/729**

(58) **Field of Classification Search**
USPC D3/289, 290, 298, 314; D9/432, 414,
D9/523, 548, 549, 572, 573, 723, 724,
D9/726, 727, 729; D28/73, 83, 85;
206/385, 438, 823; 222/206, 212, 213,
222/215; 604/295; 606/204.25
CPC A45D 34/04; A45D 34/042; A45D 40/00;
A45D 40/26; A45D 40/262; B65D 1/023;
B65D 47/18; B65D 41/02; B65D 2203/00
See application file for complete search history.

(56) **References Cited**

U.S. PATENT DOCUMENTS

2,165,632 A * 7/1939 Hoffman A45D 40/026
15/184
3,393,831 A * 7/1968 Stewart A47F 1/06
221/232

D260,489 S * 9/1981 Pritchard D9/432
D424,930 S * 5/2000 Crawford D9/727
D433,707 S * 11/2000 Vanini D19/66
(Continued)

OTHER PUBLICATIONS

Guerlain Rouge Automatique, announced Aug. 2013, [online], site
visited Aug. 18, 2017. Available from Internet, <URL: <http://www.lovecraftnwitchheart.wordpress.com.com>>.*
(Continued)

Primary Examiner — Derrick E Holland
Assistant Examiner — Janice Julia Patyk
(74) *Attorney, Agent, or Firm* — Law Office of David
Hong

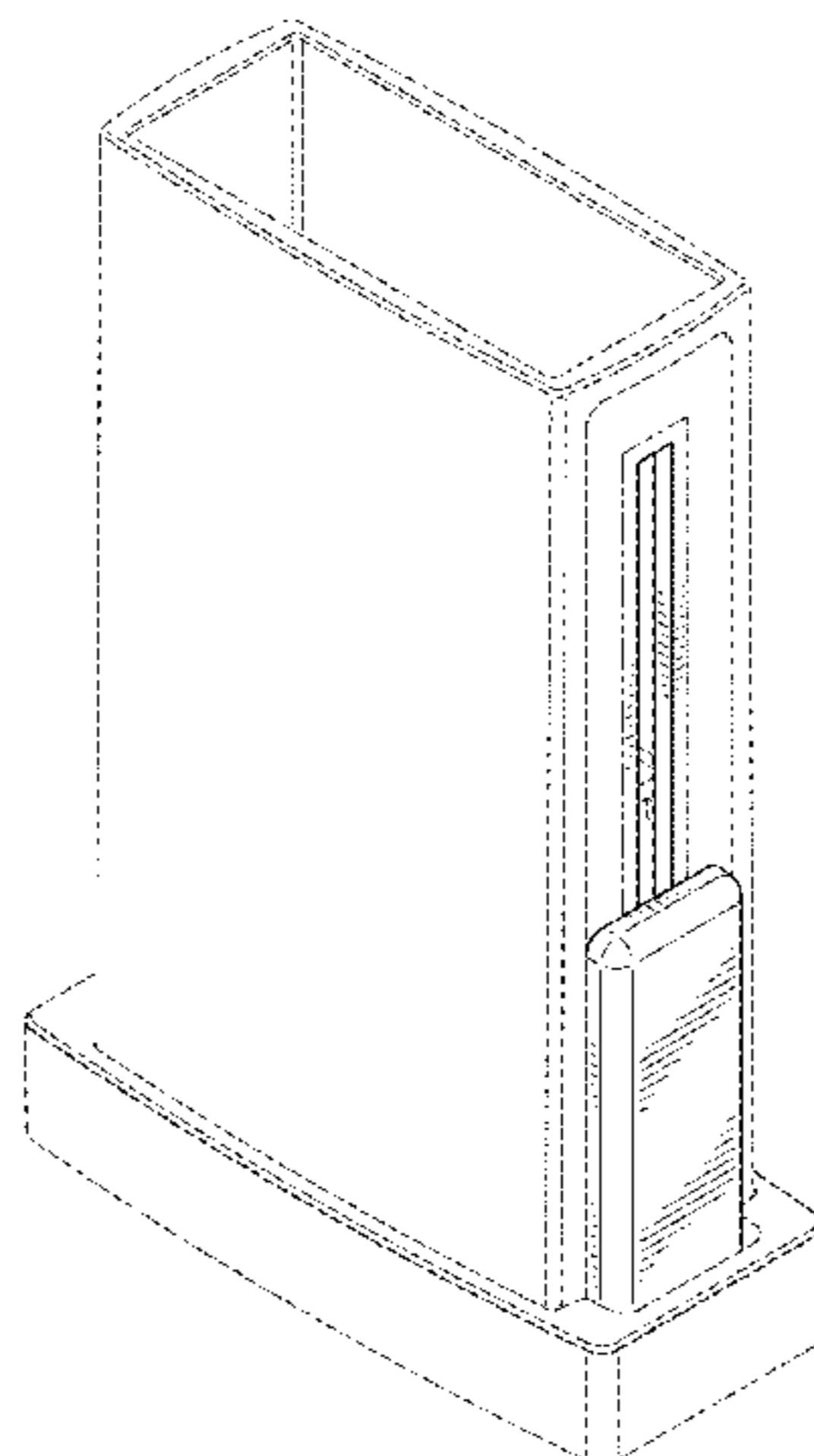
(57) **CLAIM**

The ornamental design for a cosmetics holder, as shown and
described.

DESCRIPTION

FIG. 1 is a perspective view of a cosmetics holder, showing
our new design;
FIG. 2 is a side elevational view thereof, and the opposite
side view being a mirror image thereof;
FIG. 3 is a front elevational view thereof;
FIG. 4 is a rear elevational view thereof;
FIG. 5 is a top view thereof; and,
FIG. 6 is a bottom view thereof.
The dot-dot-dash broken lines immediately adjacent to the
claimed areas in the views represent the boundaries of the
design and form no part thereof.
The broken lines in the figures illustrate the portions of the
design that form no part of the claimed design.
None of the broken lines form any part of the claimed
design.

1 Claim, 2 Drawing Sheets



(56)

References Cited

U.S. PATENT DOCUMENTS

6,953,131 B2 * 10/2005 Devine B65D 83/0409
221/246
D526,761 S * 8/2006 Hoffman D1/102
D654,812 S * 2/2012 Wade D9/435
D657,696 S * 4/2012 Floyd D9/729
8,359,816 B2 * 1/2013 Guschke A61J 1/03
53/170
2007/0284277 A1 * 12/2007 Gnepper B65D 11/12
206/528
2011/0000814 A1 * 1/2011 Lee B65D 83/04
206/528

OTHER PUBLICATIONS

Laneige Two Tone Lip Bar, announced Mar. 2015, [online], site visited Aug. 18, 2017. Available from Internet, <URL: <http://www.askmewhats.com>>.*

Guerlain Rouge Automatique in Shalimar, announced Aug. 2013, [online], site visited Aug. 18, 2017. Available from Internet, URL: <http://www.lovecraftnwitchheart.wordpress.com> (Year: 2013).*

Laneige Two Tone Lip Bar, announced Mar. 2015, [online], site visited Aug. 18, 2017. Available from Internet, URL: <http://www.askmewhats.com> (Year: 2015).*

* cited by examiner

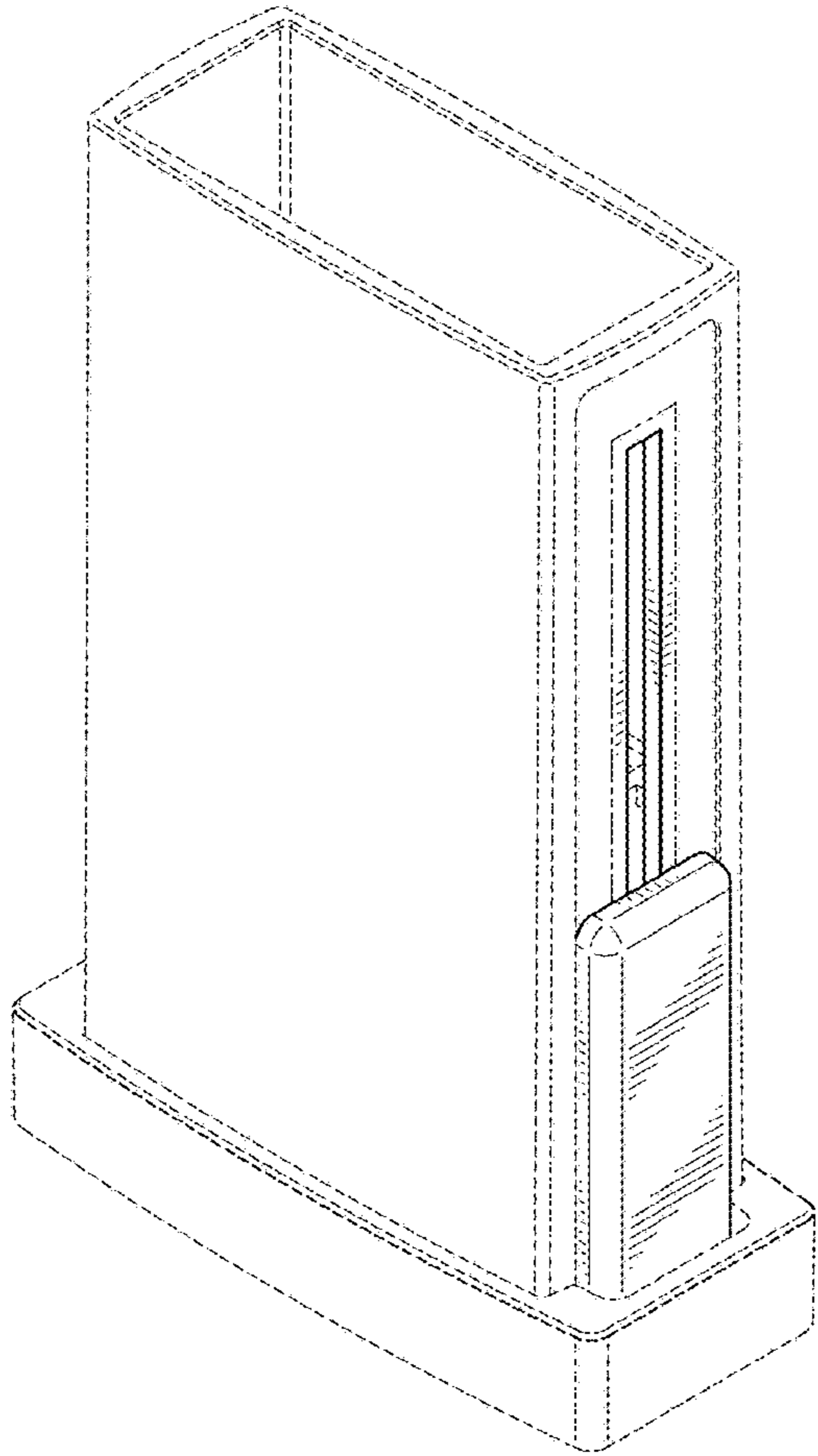


FIG. 1

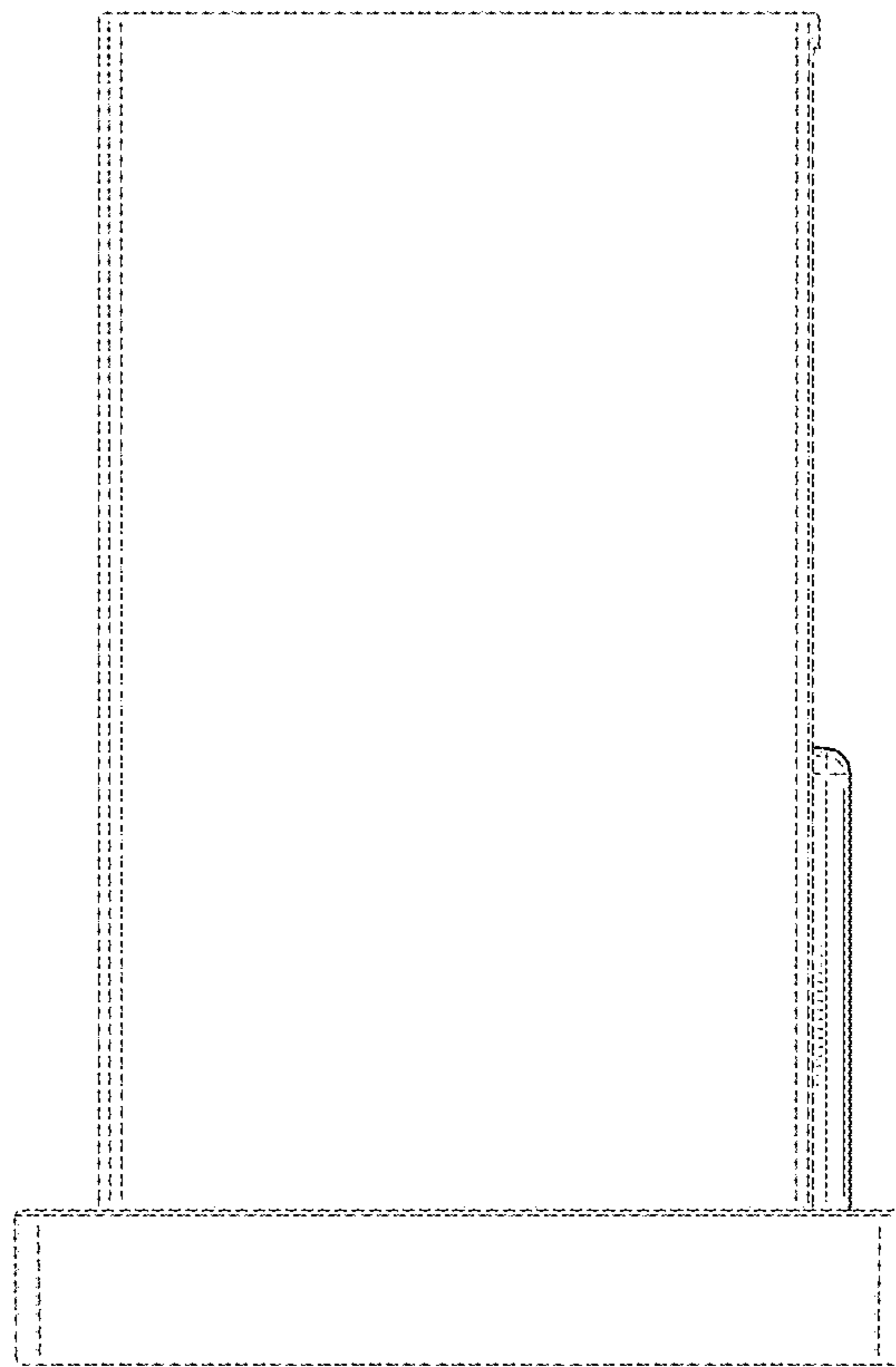


FIG. 2

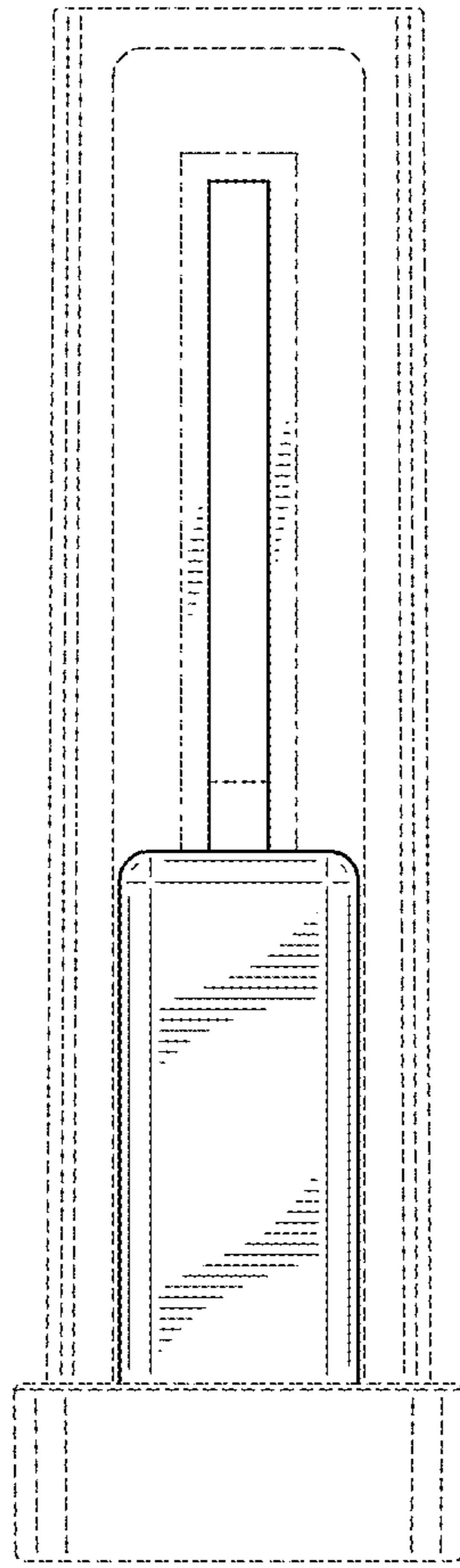


FIG. 3

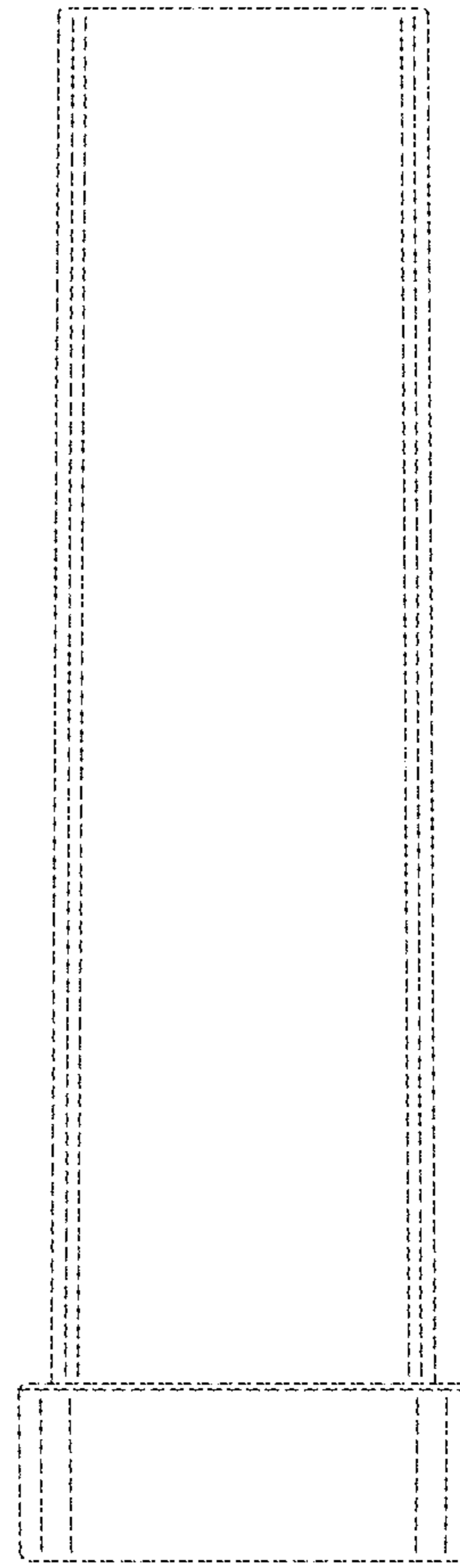


FIG. 4

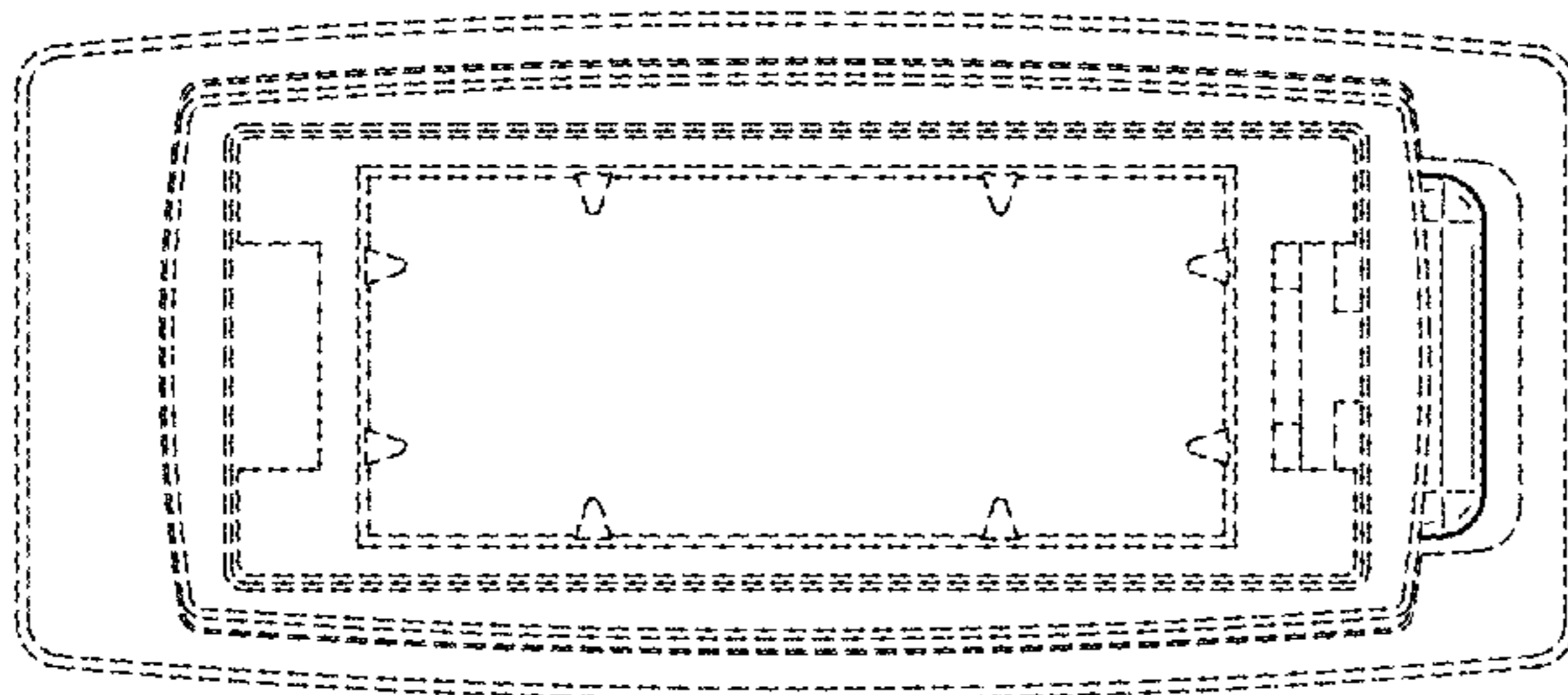


FIG. 5

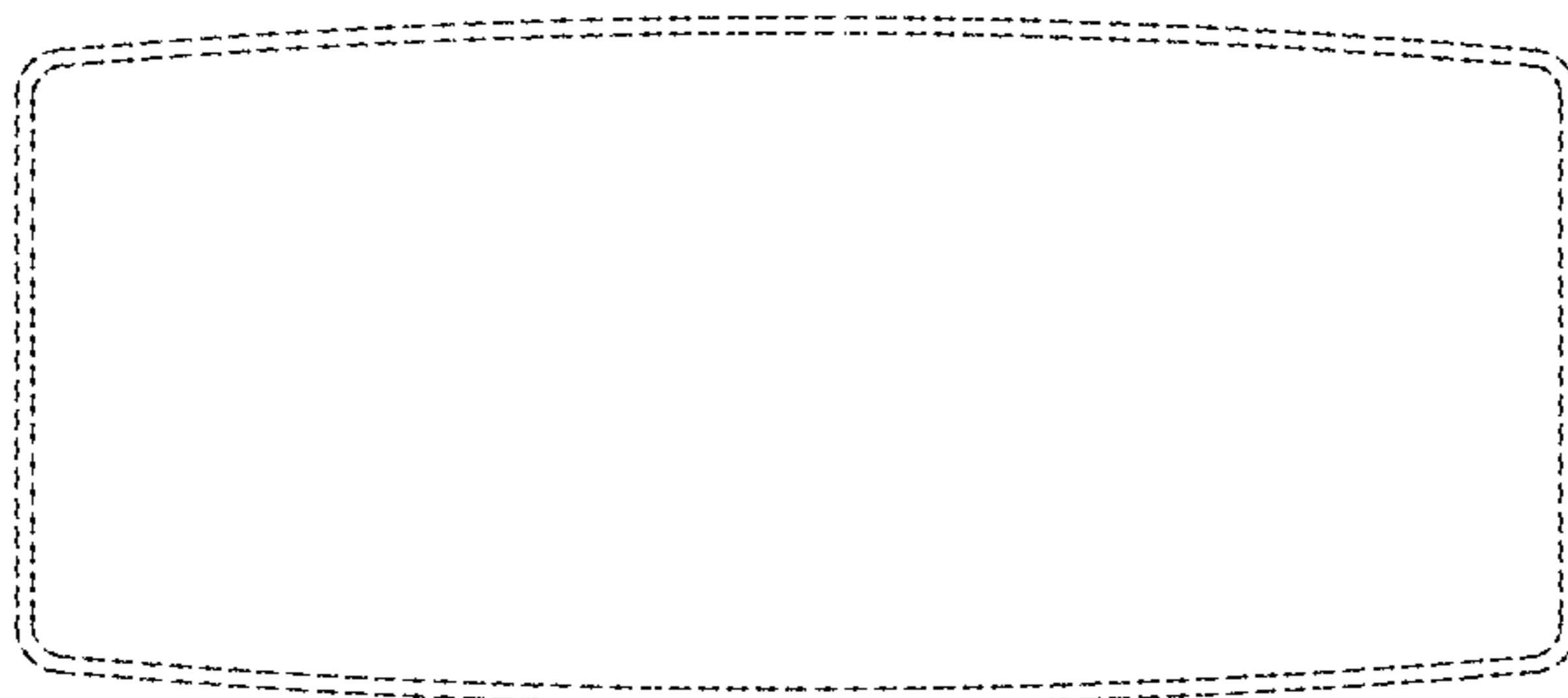


FIG. 6