



US00D820110S

(12) **United States Design Patent** (10) **Patent No.:** **US D820,110 S**
Burrowes et al. (45) **Date of Patent:** **** Jun. 12, 2018**

(54) **BOTTLE**

34/02; A45D 34/04; A45D 34/041; A45D
2034/002; A45D 2034/005; A45D
2034/007

(71) Applicant: **The Procter & Gamble Company**,
Cincinnati, OH (US)

See application file for complete search history.

(72) Inventors: **Lee Burrowes**, Woking (GB); **Caroline Stoney Simons Lemen**, Blue Ash, OH (US); **Sarah Meghan Rose Dowell**, Mariemont, OH (US); **Christopher Luke Leonard**, Mason, OH (US); **Angela Rachelle Clark**, Cincinnati, OH (US); **Amber Michelle Metze**, Terrace Park, OH (US)

(56) **References Cited**

U.S. PATENT DOCUMENTS

D356,249 S *	3/1995	Abfier	D9/448
D365,020 S *	12/1995	Dinand	D9/503
D385,793 S *	11/1997	Marsal	D24/224
D388,320 S *	12/1997	Lamb	D9/435
D463,746 S *	10/2002	de Baschmakoff	D9/500
D570,707 S *	6/2008	Blasko	D9/689

(Continued)

Primary Examiner — Catherine A Tuttle

(74) *Attorney, Agent, or Firm* — John G. Powell; S. Robert Chuey

(73) Assignee: **The Procter & Gamble Company**,
Cincinnati, OH (US)

(**) Term: **15 Years**

(57) **CLAIM**

The ornamental design for a bottle, as shown and described.

(21) Appl. No.: **29/576,376**

(22) Filed: **Sep. 2, 2016**

(51) **LOC (11) Cl.** **09-01**

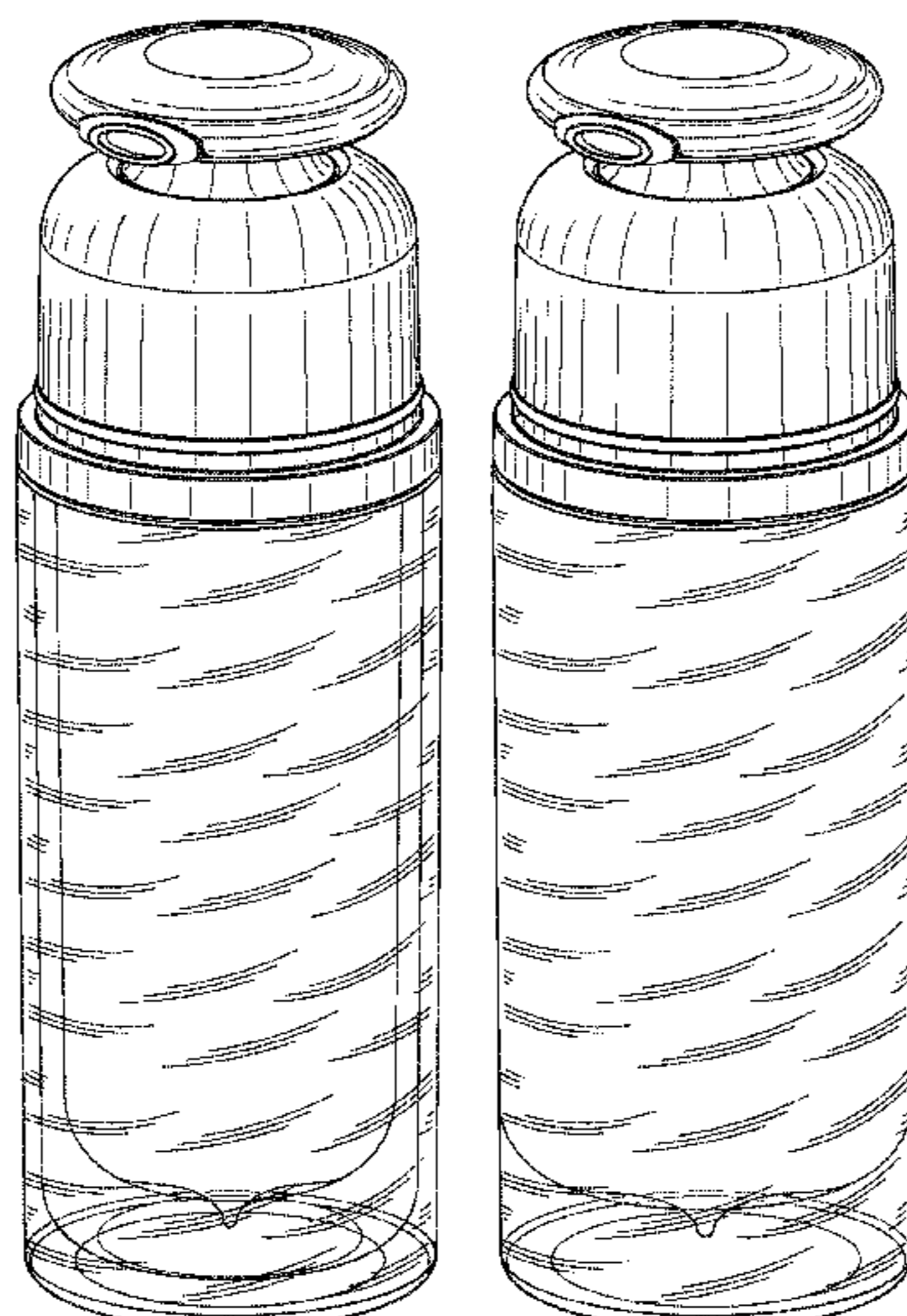
(52) **U.S. Cl.**
USPC **D9/690**

DESCRIPTION

(58) **Field of Classification Search**
USPC D9/600–681, 682–694, 500–505,
D9/723–729, 516–575, 434–436, 439,
D9/440, 444, 445, 447–450;
D28/76–91.1
CPC ... B65D 1/00–1/09; B65D 1/40; B65D 11/04;
B65D 11/16; B65D 23/00; B65D
23/0885; B65D 39/0047; B65D 39/0094;
B65D 83/14; B65D 83/16; B65D 83/20;
B65D 83/201; B65D 53/205; B65D
83/206; B65D 83/207; B65D 83/22;
B65D 83/28; B65D 83/285; B65D 83/30;
B65D 83/32; B65D 83/36; B65D 83/38;
B65D 83/384; B65D 83/386; B65D
83/388; B65D 83/40; B65D 83/75; B65D
83/753; B65D 2501/00; B65D 2501/0009;
B65D 2501/0063; B65D 2501/0072;
B05B 11/00–11/3098; A45D 34/00; A45D

FIG. 1 is a perspective view of a bottle, showing our new design;
FIG. 2 is a front elevational view thereof;
FIG. 3 is a left side elevational view thereof;
FIG. 4 is a back elevational view thereof;
FIG. 5 is a right side elevational view thereof;
FIG. 6 is a top plan view thereof;
FIG. 7 is a bottom plan view thereof;
FIG. 8 is a perspective view of another embodiment of a bottle, showing our new design;
FIG. 9 is a front elevational view thereof;
FIG. 10 is a left side elevational view thereof;
FIG. 11 is a back elevational view thereof;
FIG. 12 is a right elevational view thereof;
FIG. 13 is a top plan view thereof; and,
FIG. 14 is a bottom plan view thereof.

1 Claim, 8 Drawing Sheets



(56)

References Cited

U.S. PATENT DOCUMENTS

D605,951 S *	12/2009	Ikeda	D9/544
D613,604 S *	4/2010	Rowland	D9/504
D716,666 S *	11/2014	Park	D9/690
D766,096 S *	9/2016	Moreaux	D9/688
2005/0092777 A1 *	5/2005	Wu	B05B 11/0037 222/382
2008/0279616 A1 *	11/2008	Thorpe	A45D 34/04 401/265
2012/0035556 A1 *	2/2012	Nordsiek	A61K 9/0014 604/290
2013/0140332 A1 *	6/2013	Csaszar	B05B 11/0048 222/256

* cited by examiner

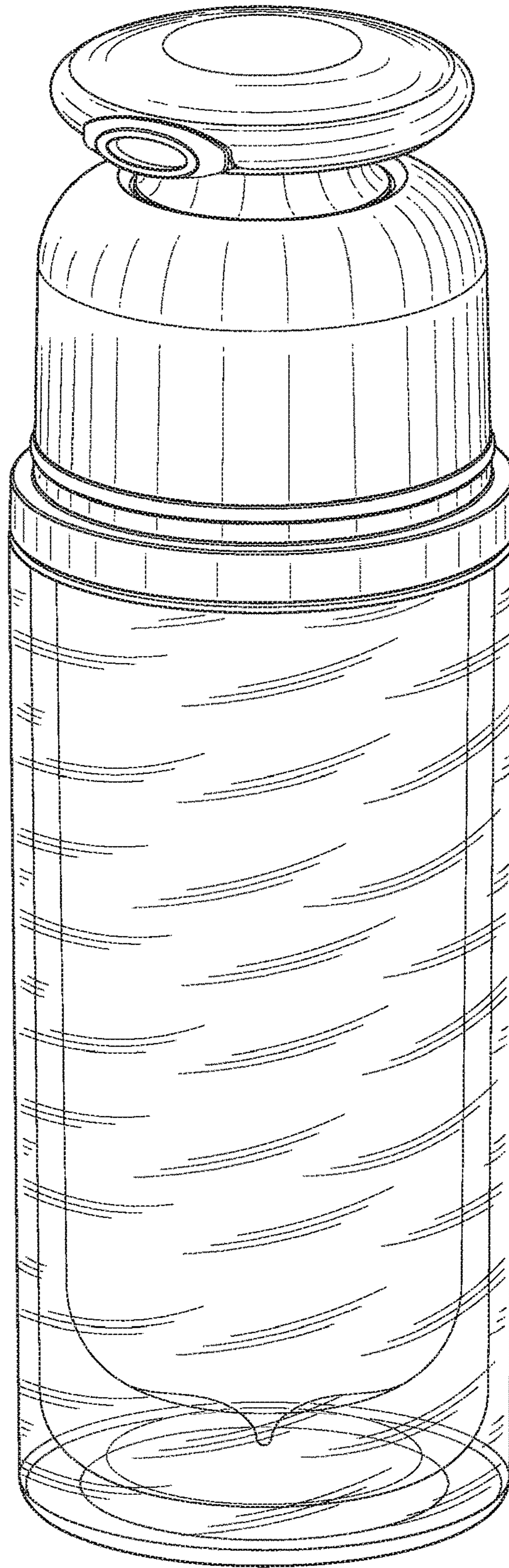


FIG. 1

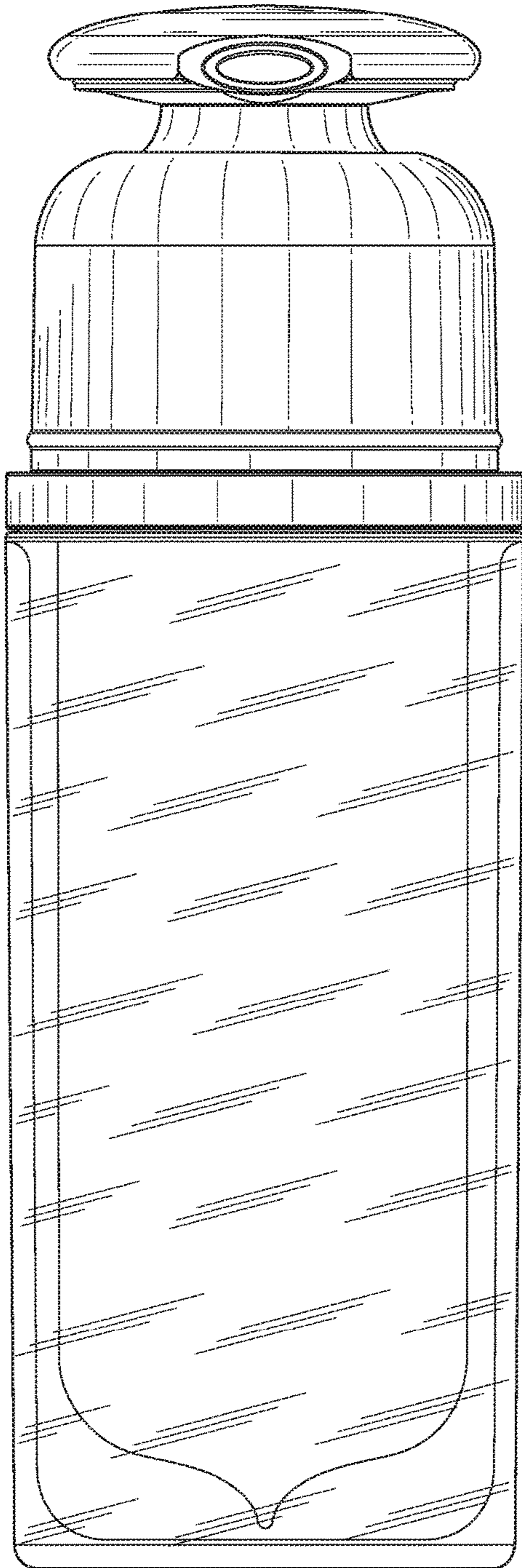


FIG. 2

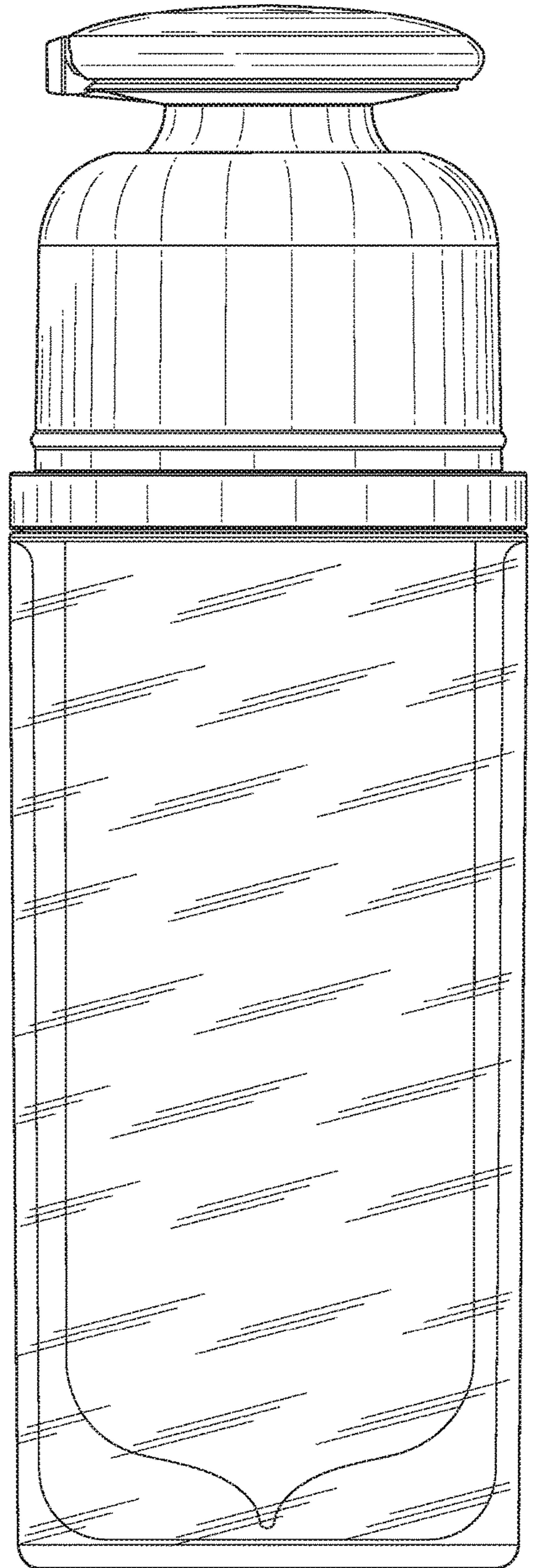


FIG. 3

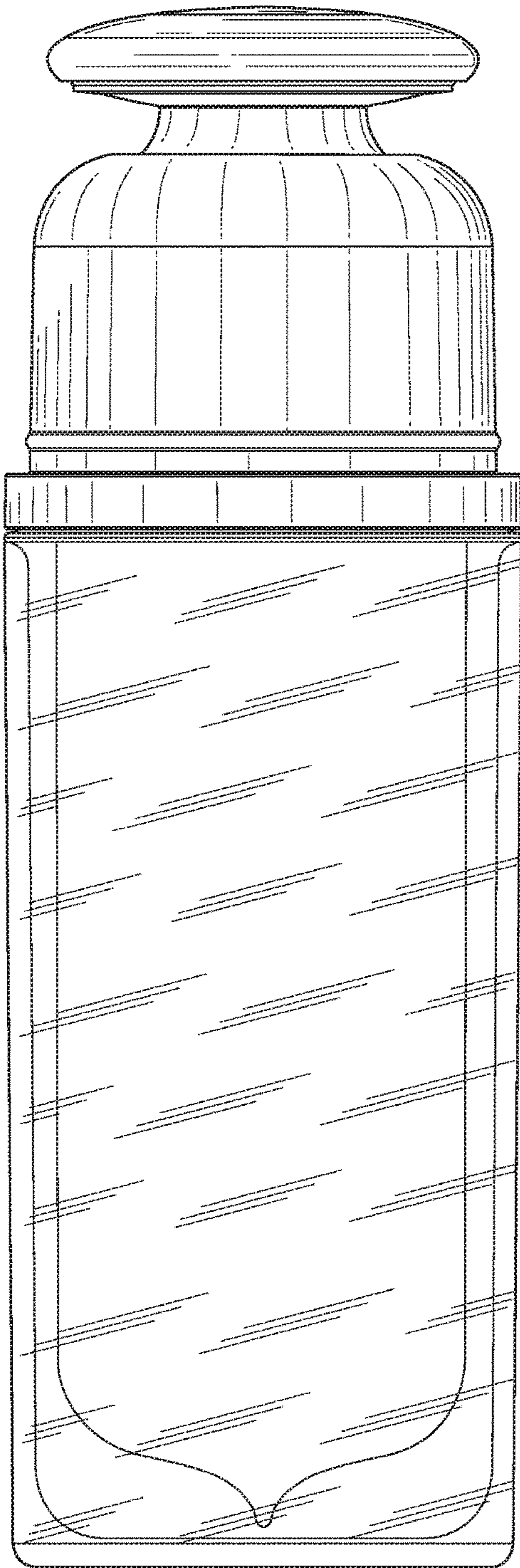


FIG. 4

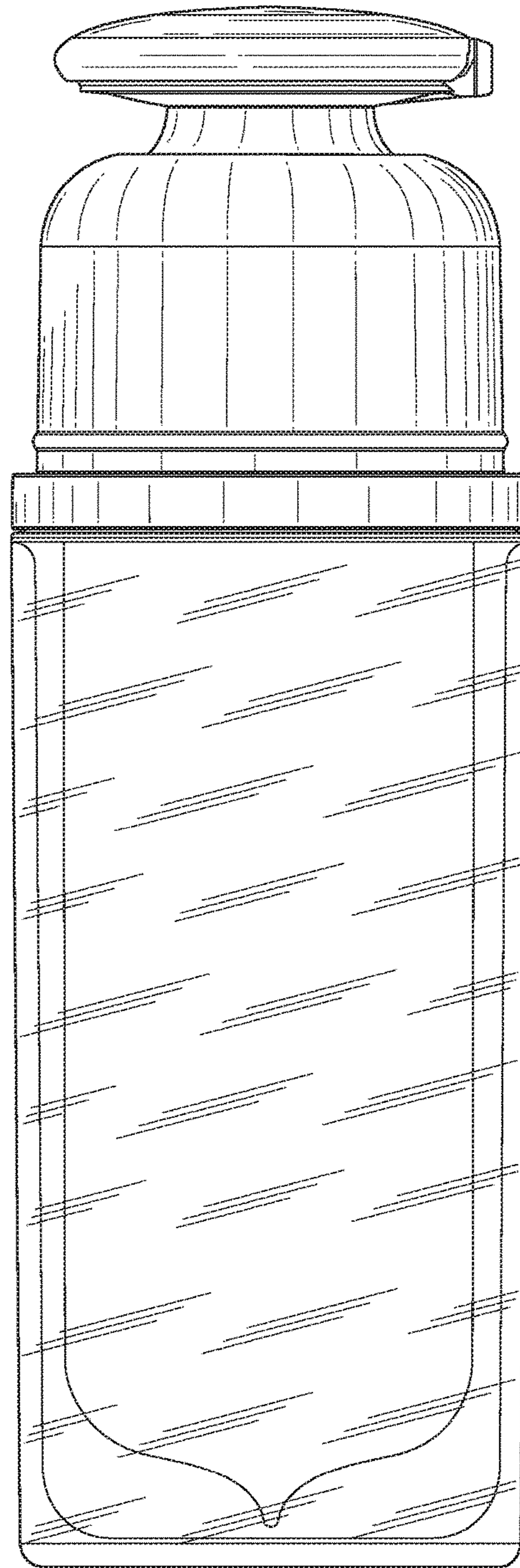


FIG. 5

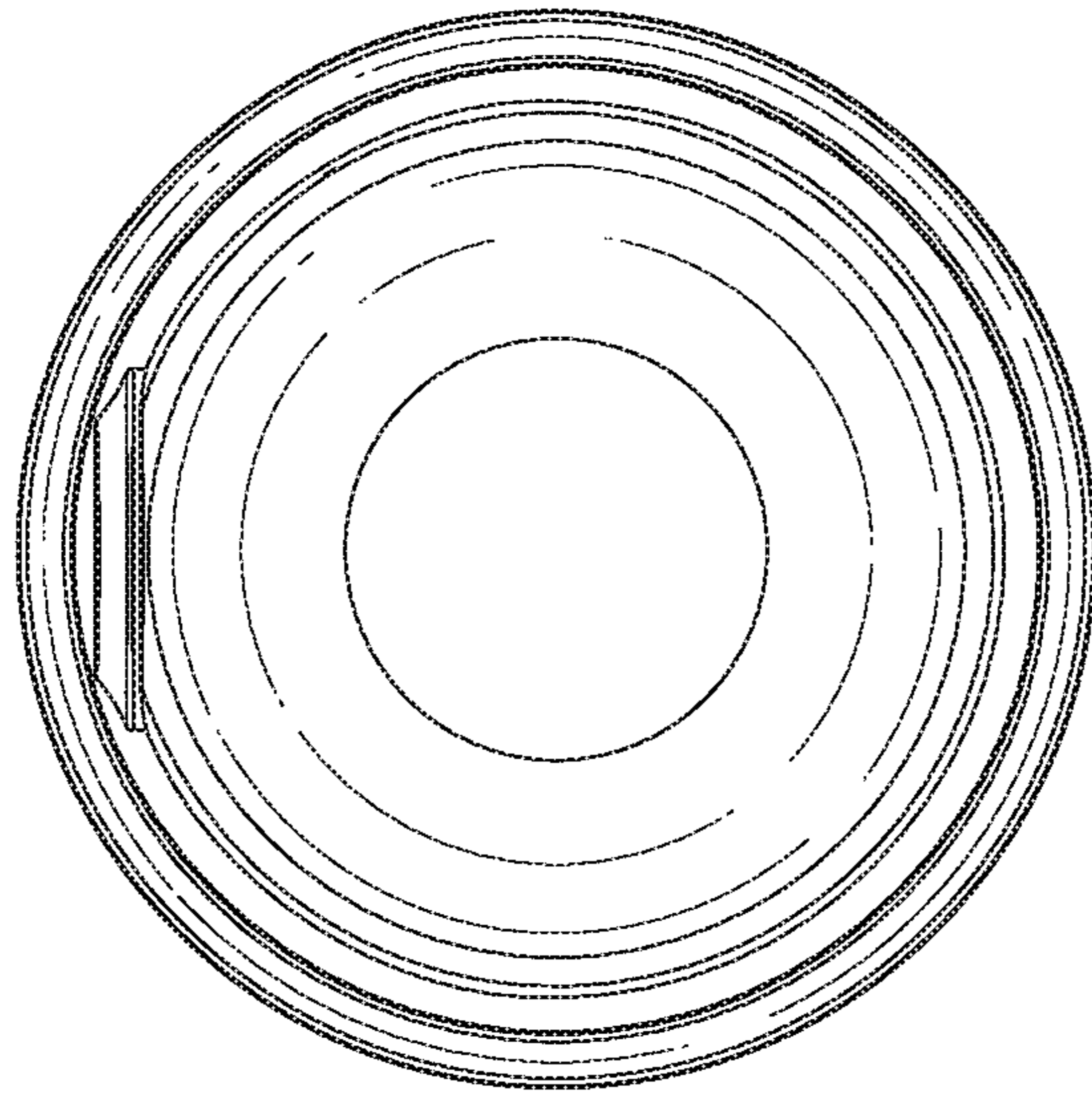


FIG. 6

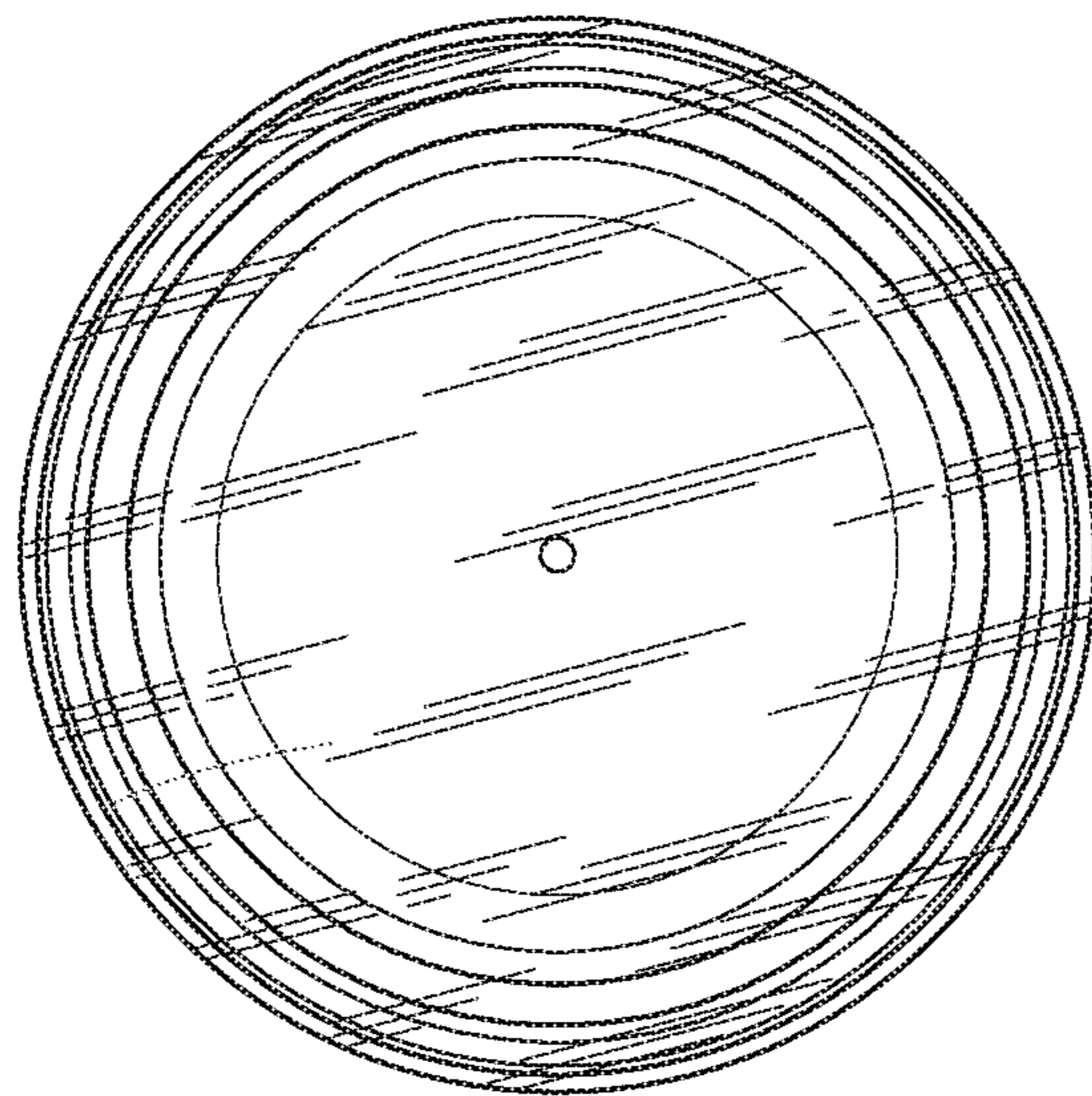


FIG. 7

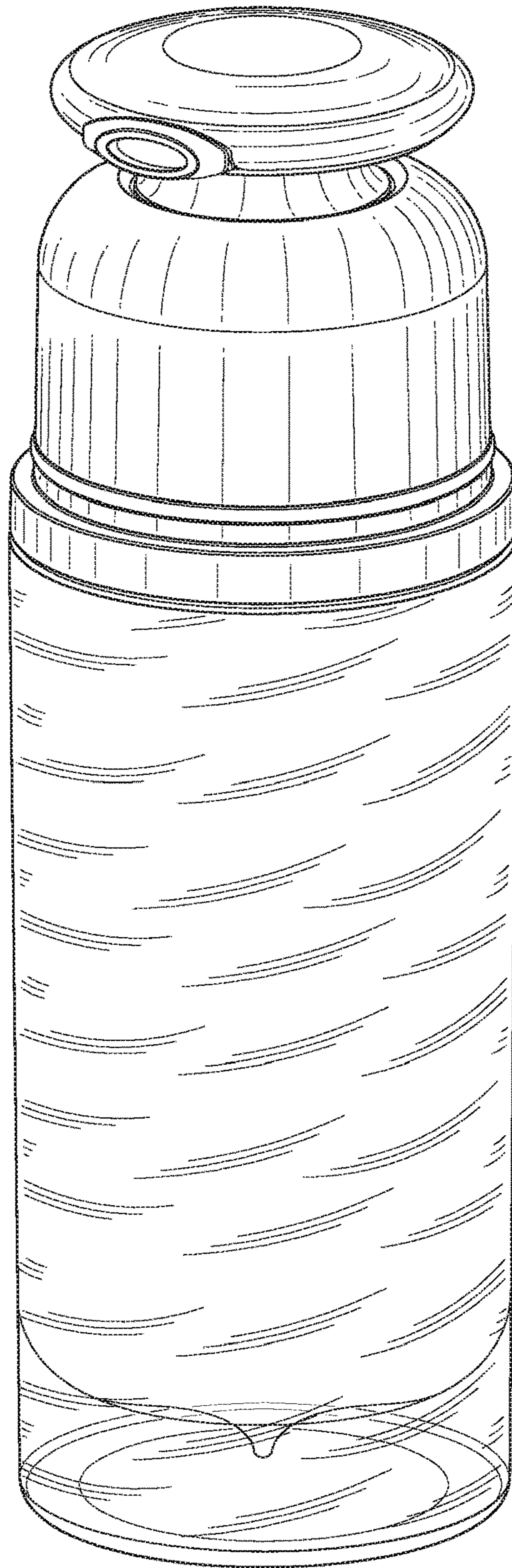


FIG. 8

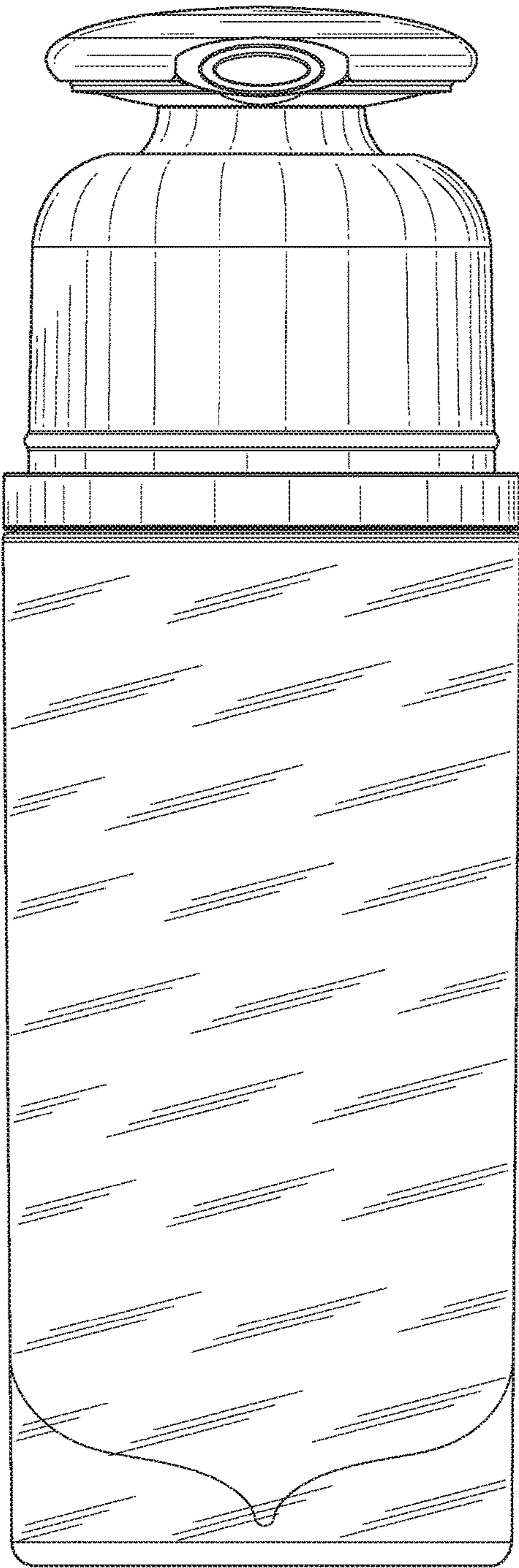


FIG. 9

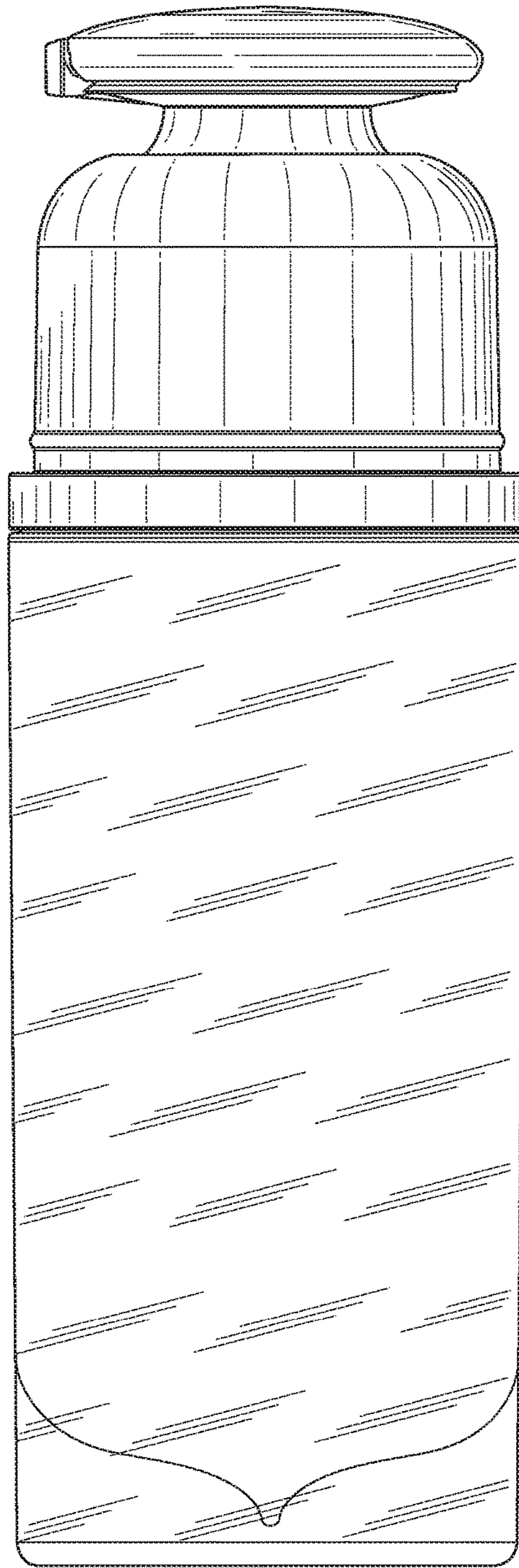


FIG. 10

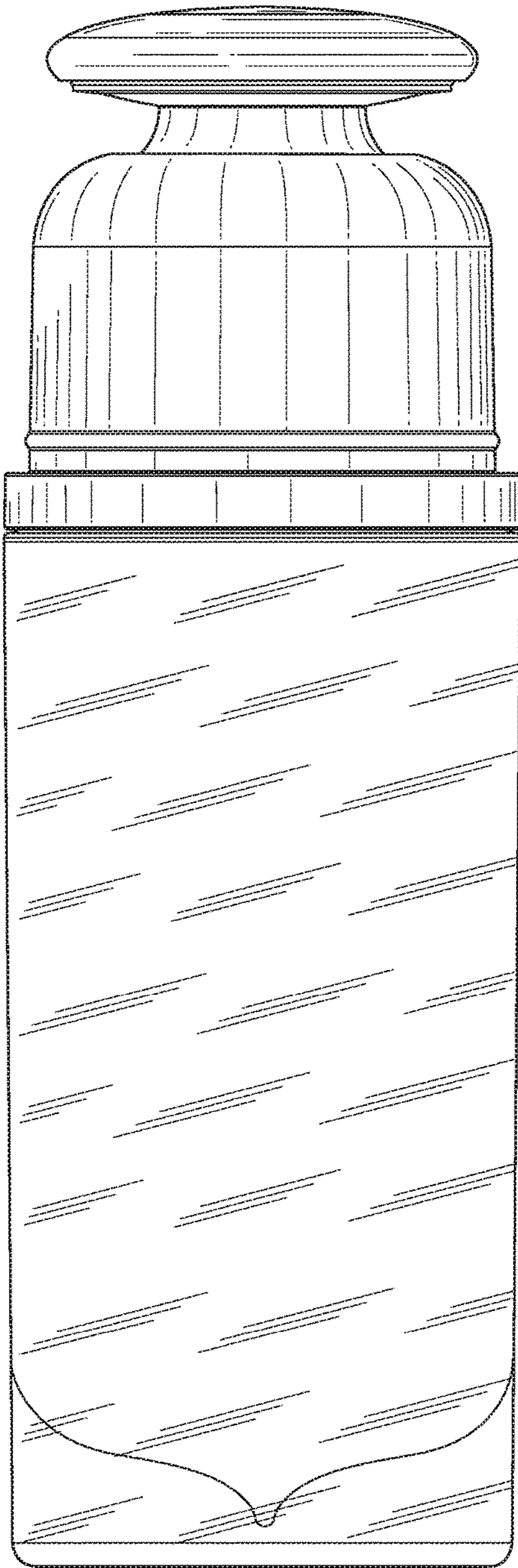


FIG. 11

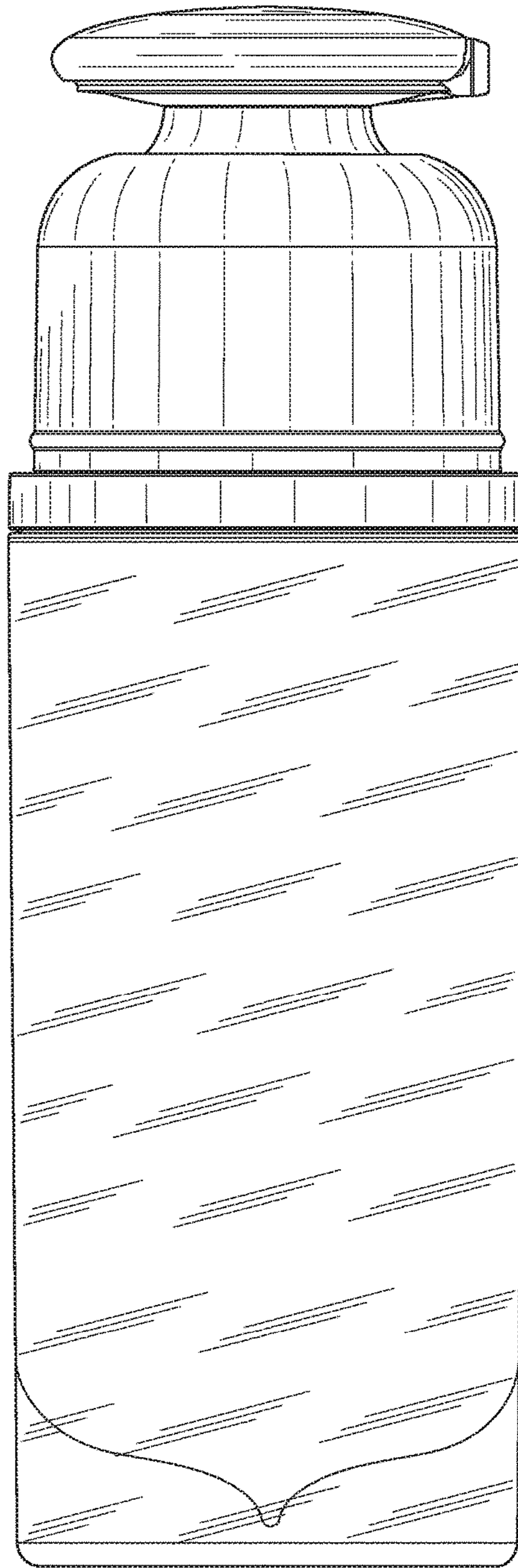


FIG. 12

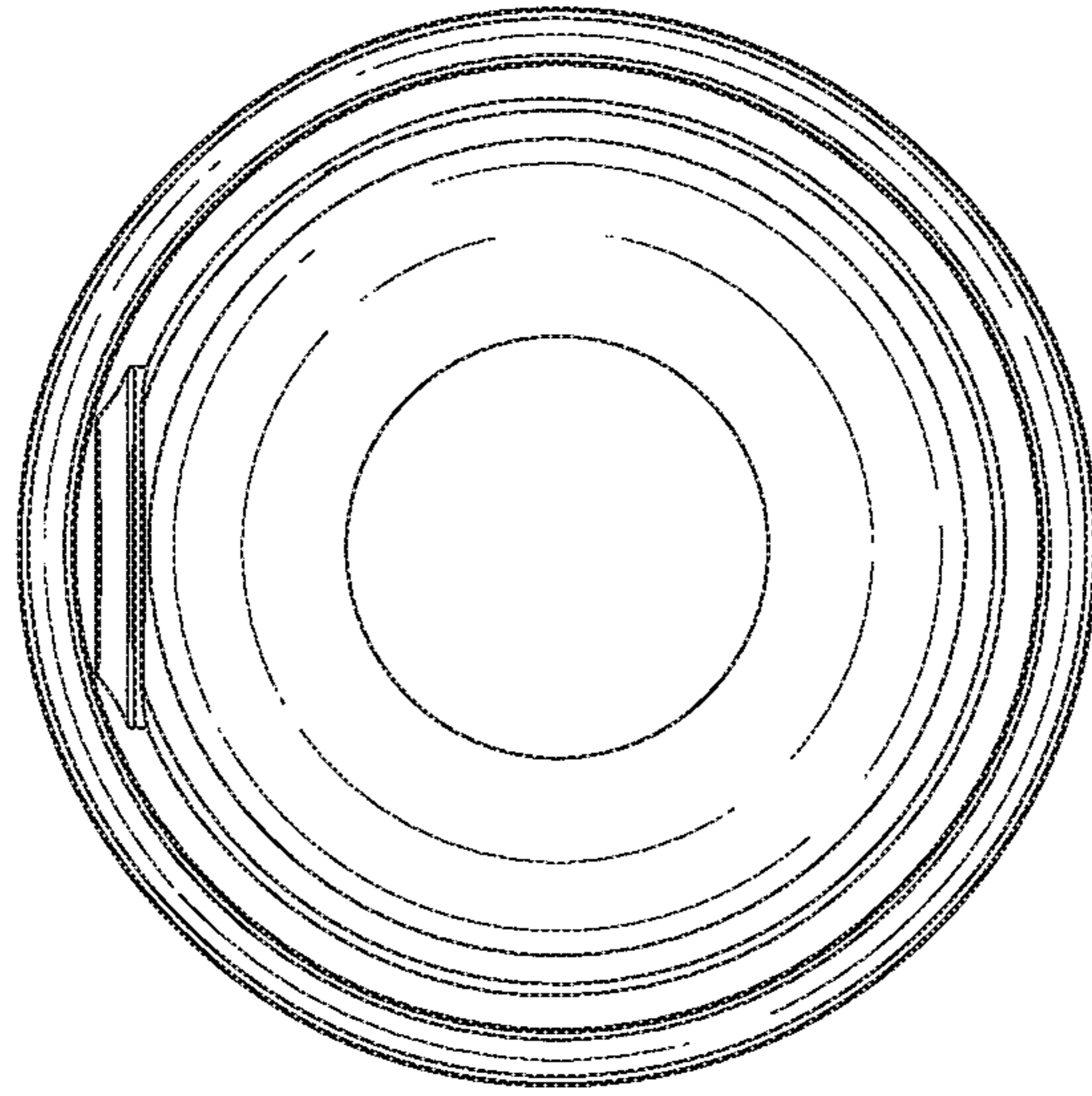


FIG. 13

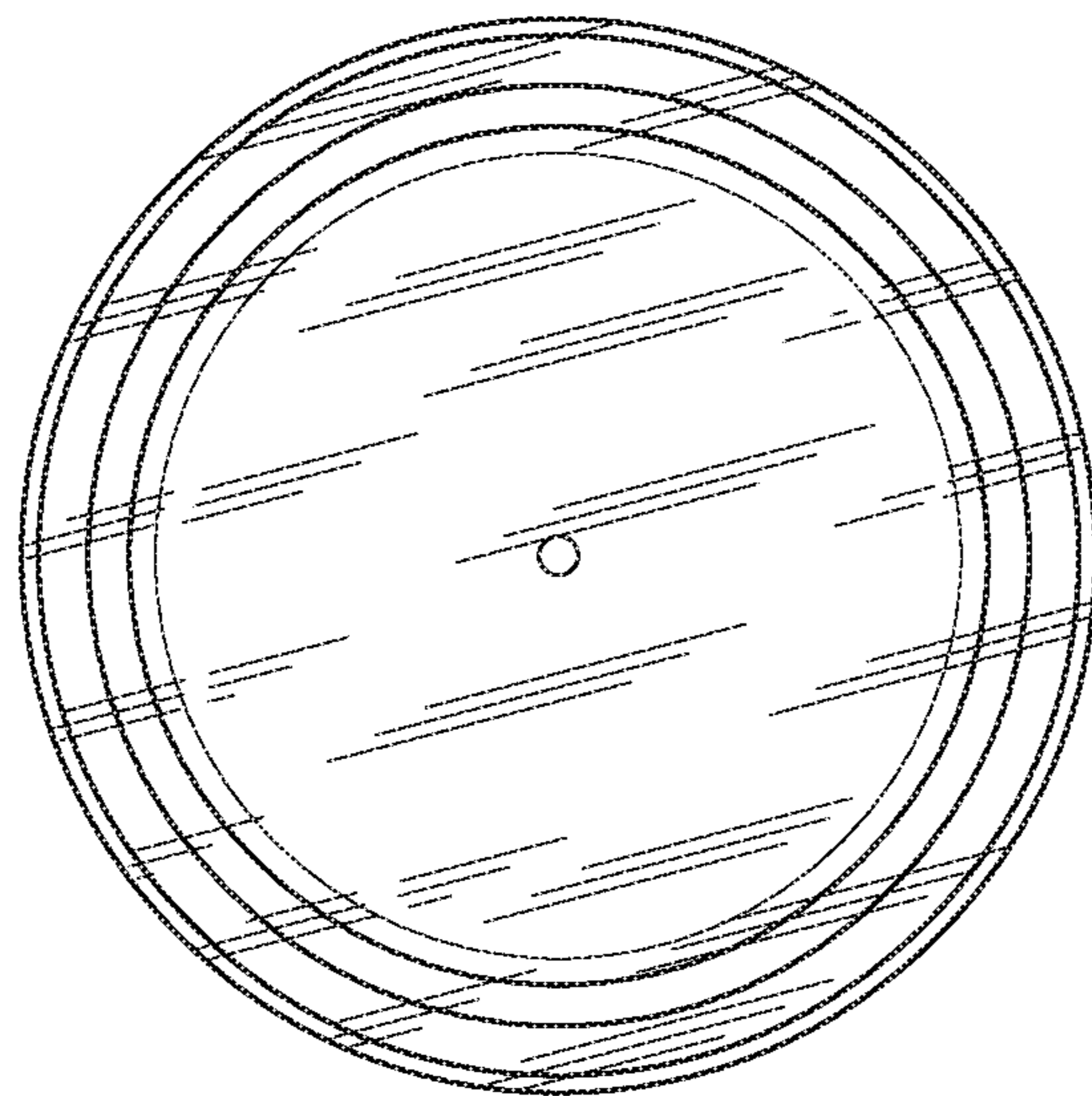


FIG. 14