



US00D820104S

(12) **United States Design Patent** (10) **Patent No.:** **US D820,104 S**
Miller et al. (45) **Date of Patent:** **** Jun. 12, 2018**

(54) **BOTTLE WITH CAP**

(56) **References Cited**

(71) Applicant: **CVS Pharmacy, Inc.**, Woonsocket, RI (US)

U.S. PATENT DOCUMENTS

(72) Inventors: **Michael David Miller**, Tewksbury, MA (US); **Jacquelyn Hui-Yan Wan**, Manchester, NH (US); **Bennett P. Daley**, Somerville, MA (US); **Peter Rezac**, Sterling, MA (US); **Timothy Bernard Coker**, Nashua, NH (US); **Ryan Neil Peter Hall**, Clinton, MA (US); **Timothy Andrew Vanderpoel**, Hudson, MA (US)

D360,134 S *	7/1995	Snyder	D9/438
D456,272 S *	4/2002	Sadeghi	D9/560
D481,640 S *	11/2003	Biesecker	D9/560
6,802,418 B2 *	10/2004	Atkinson	B65D 25/22 206/278
D498,143 S *	11/2004	Rashid	D9/541
D531,913 S *	11/2006	Heisner	D9/560
D539,651 S *	4/2007	Snyder	D9/449
D587,586 S *	3/2009	Patzak	D9/446
D619,473 S *	7/2010	Biesecker	D9/560
D620,369 S *	7/2010	Servaire	D9/435
D622,591 S *	8/2010	Biesecker	D9/435
D630,518 S *	1/2011	Biesecker	D9/547
D654,799 S *	2/2012	Liu	D9/560
D678,074 S *	3/2013	De France	D9/435
D691,054 S *	10/2013	Olsson	D9/435
D698,250 S *	1/2014	Wade	D9/435
D698,251 S *	1/2014	Wade	D9/435

(73) Assignee: **CVS PHARMACY, INC.**, Woonsocket, RI (US)

(**) Term: **15 Years**

(Continued)

(21) Appl. No.: **29/599,260**

Primary Examiner — Ian Simmons

Assistant Examiner — Keith Frank

(22) Filed: **Mar. 31, 2017**

(74) *Attorney, Agent, or Firm* — Patent Law Works LLP

Related U.S. Application Data

(63) Continuation of application No. 29/537,967, filed on Aug. 31, 2015, now Pat. No. Des. 786,683.

(51) **LOC (11) Cl.** **09-01**

(52) **U.S. Cl.**
USPC **D9/560**; D9/575; D9/529

(58) **Field of Classification Search**
USPC D9/434, 435, 436, 438, 440, 445, 453, D9/516, 530, 541, 543, 544, 546, 559, D9/560, 563, 572, 575, 715, 719, 770; D7/300, 601, 602, 605, 619.1
CPC B65D 1/02; B65D 1/0207; B65D 1/0223; B65D 1/14; B65D 2501/0081

See application file for complete search history.

(57) **CLAIM**

The ornamental design for a bottle with cap, substantially as shown and described.

DESCRIPTION

FIG. 1 is a perspective view of a bottle with cap showing our new design;

FIG. 2 is a front elevation view thereof;

FIG. 3 is a rear elevation view thereof;

FIG. 4 is a side elevation view thereof;

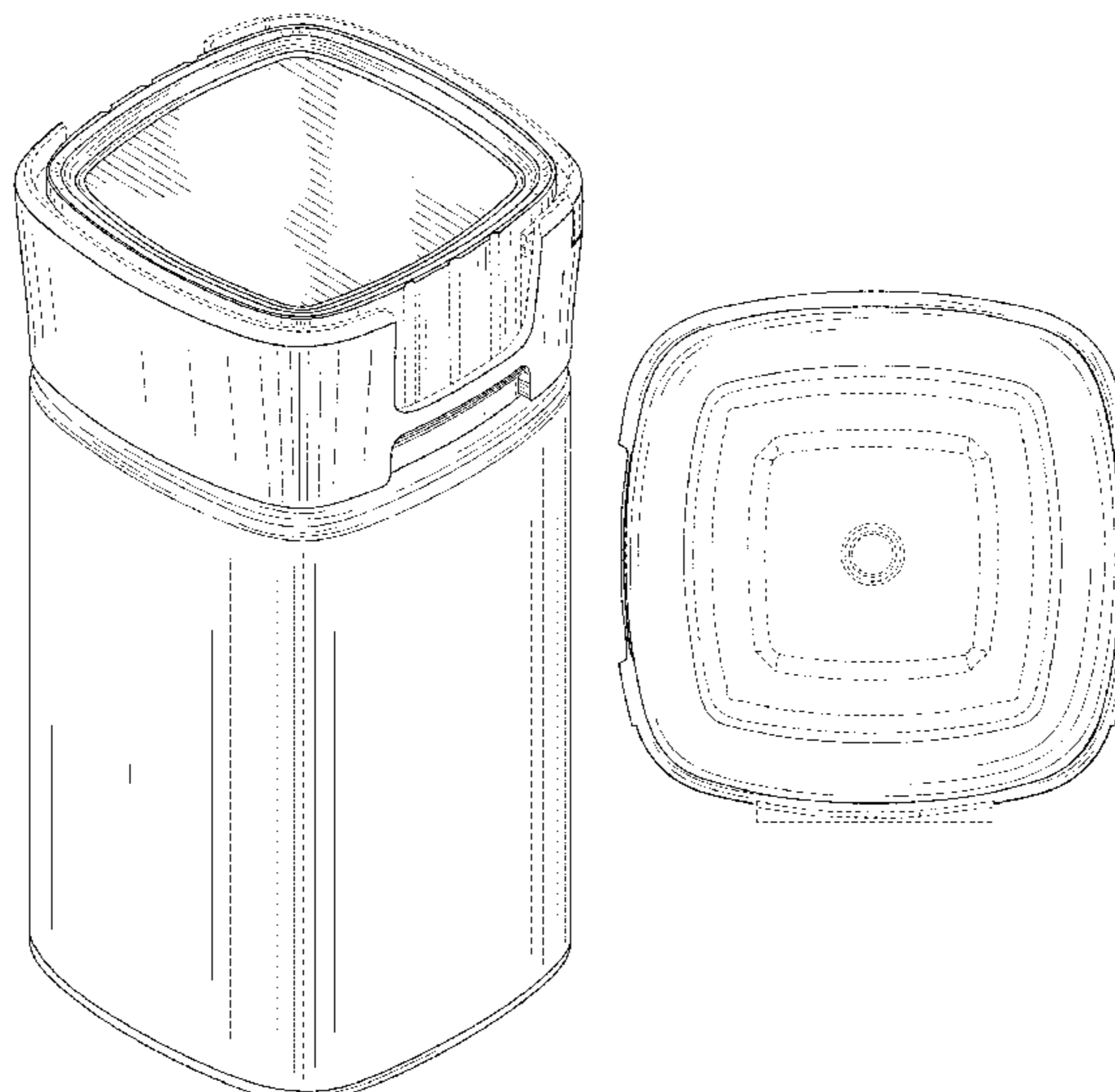
FIG. 5 is an opposing side elevation view thereof;

FIG. 6 is a top plan view thereof; and,

FIG. 7 is a bottom plan view thereof.

The evenly spaced dash-dash broken lines in the drawings illustrate the portions of the bottle with cap that form no part of the claimed design.

1 Claim, 6 Drawing Sheets



(56)

References Cited

U.S. PATENT DOCUMENTS

D733,787 S *	7/2015	Baker	D16/237
D733,788 S *	7/2015	Baker	D16/237
D736,635 S *	8/2015	Sadler	D9/522
D739,759 S *	9/2015	Warner	D9/560
D742,242 S *	11/2015	McDaniel	D9/553
D754,240 S *	4/2016	Samuels	D16/219
D756,234 S *	5/2016	Orset	D9/560
D776,544 S *	1/2017	Staab	D9/520
2009/0266736 A1 *	10/2009	Sprishen	B29C 49/20 206/459.5

* cited by examiner

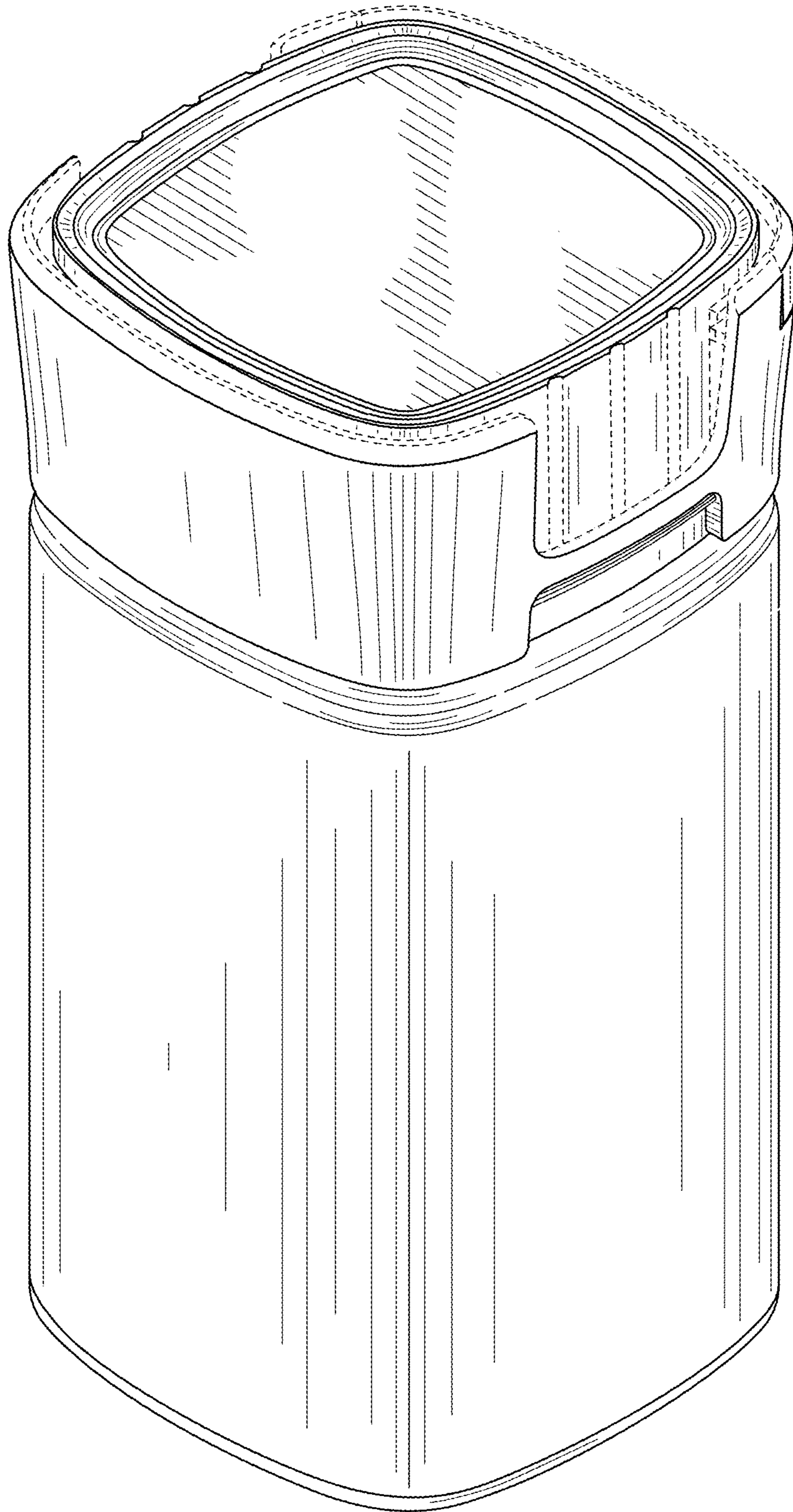


FIG. 1

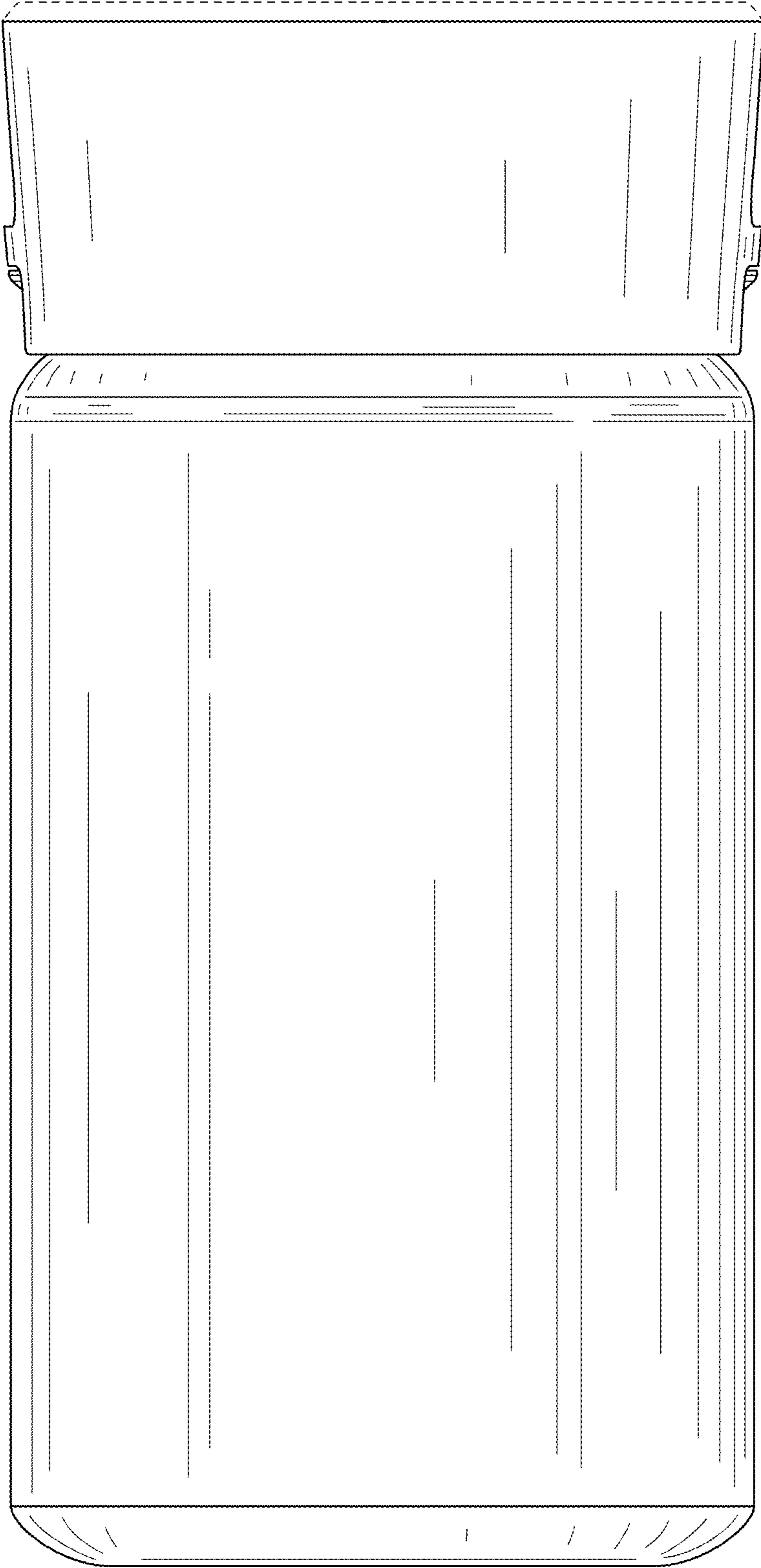


FIG. 2

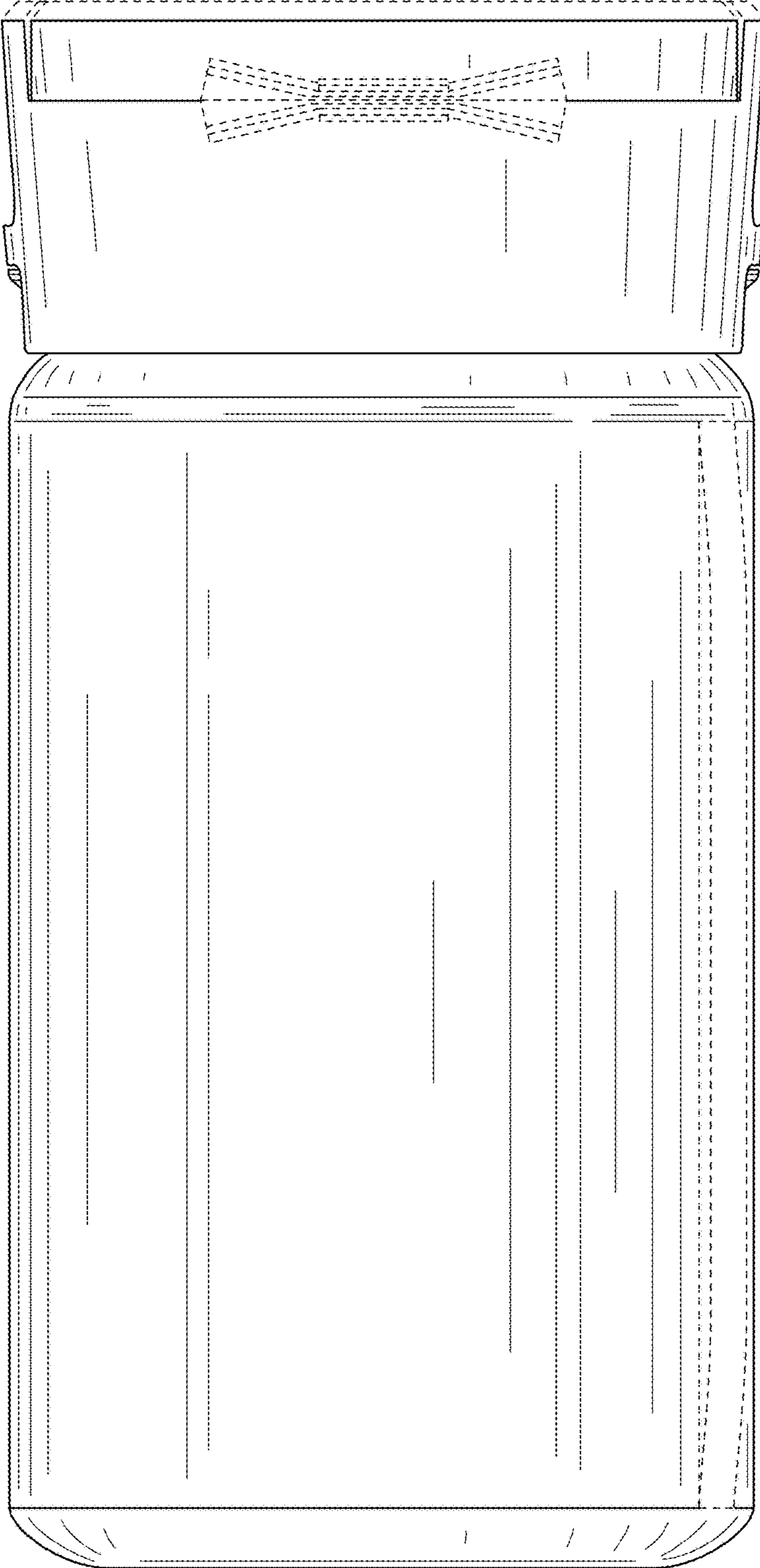


FIG. 3

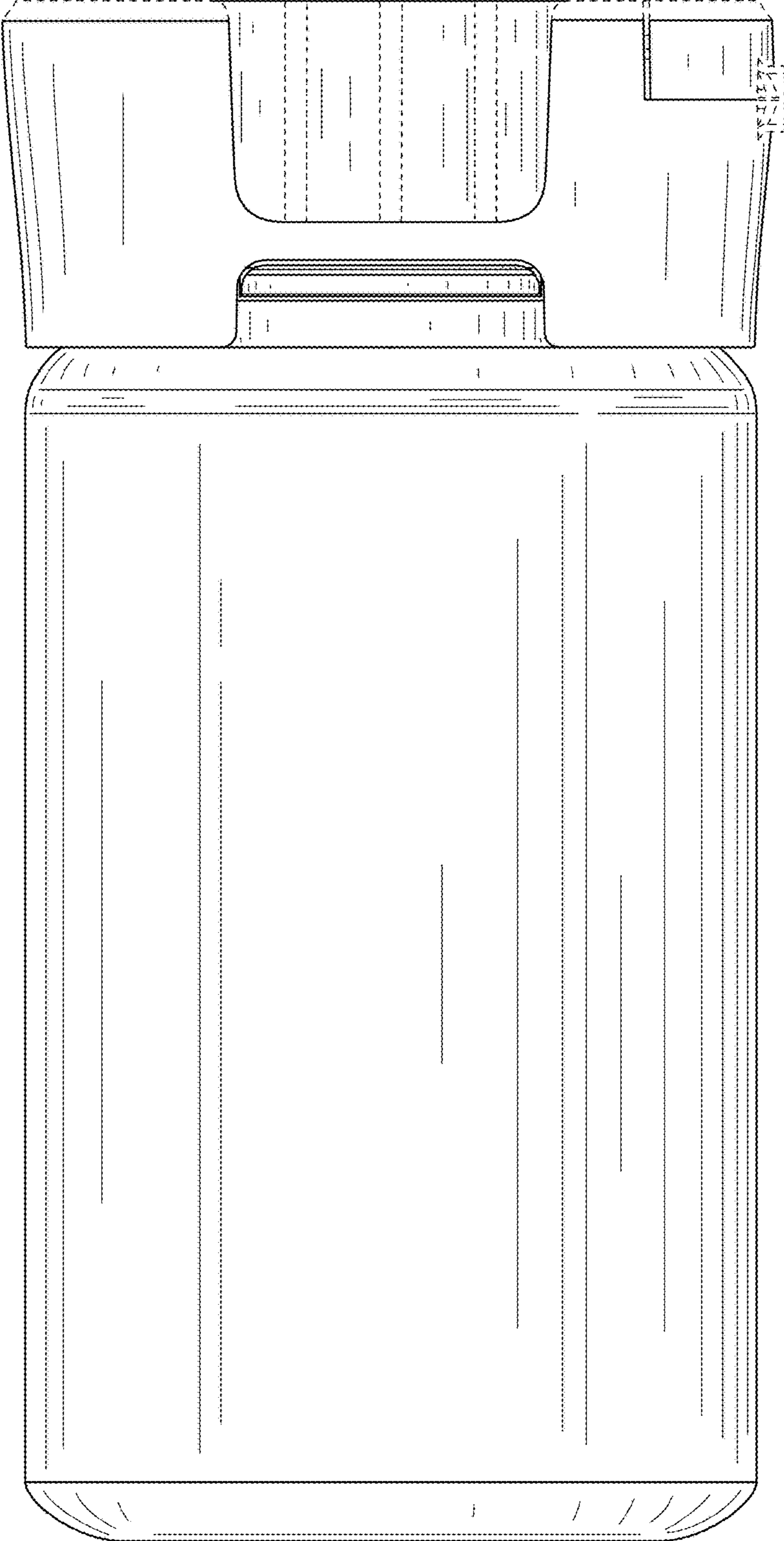


FIG. 4

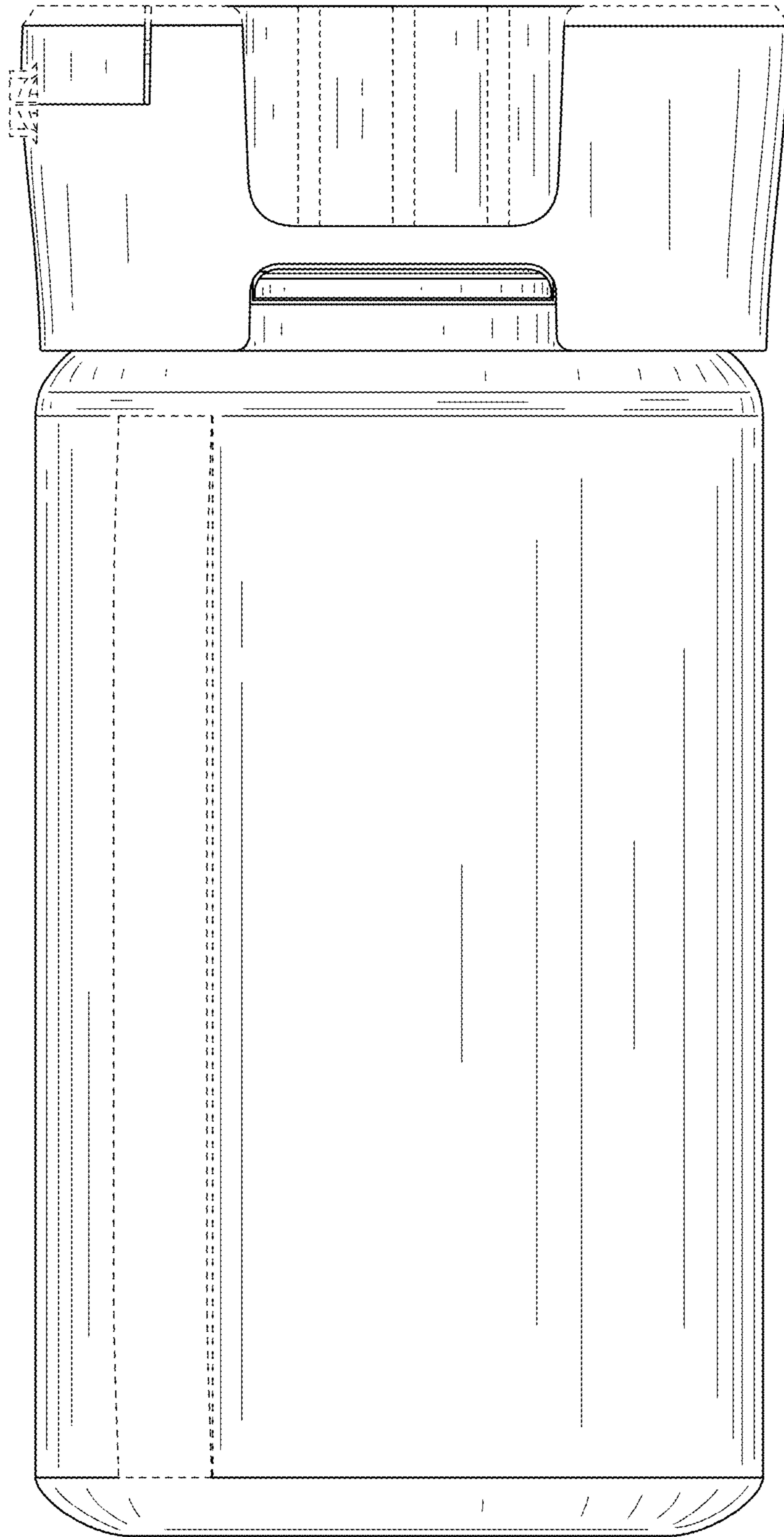


FIG. 5

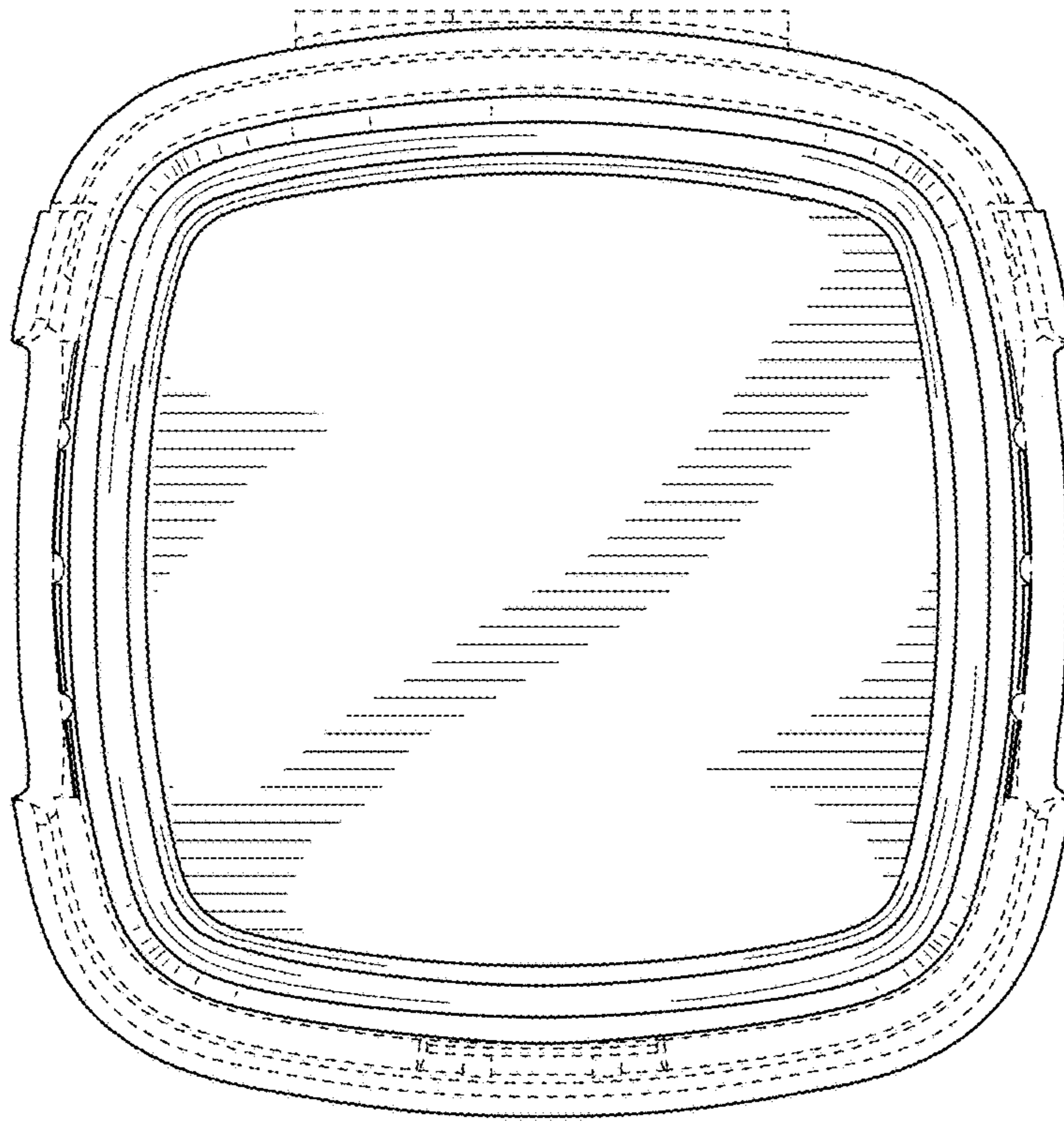


FIG. 6

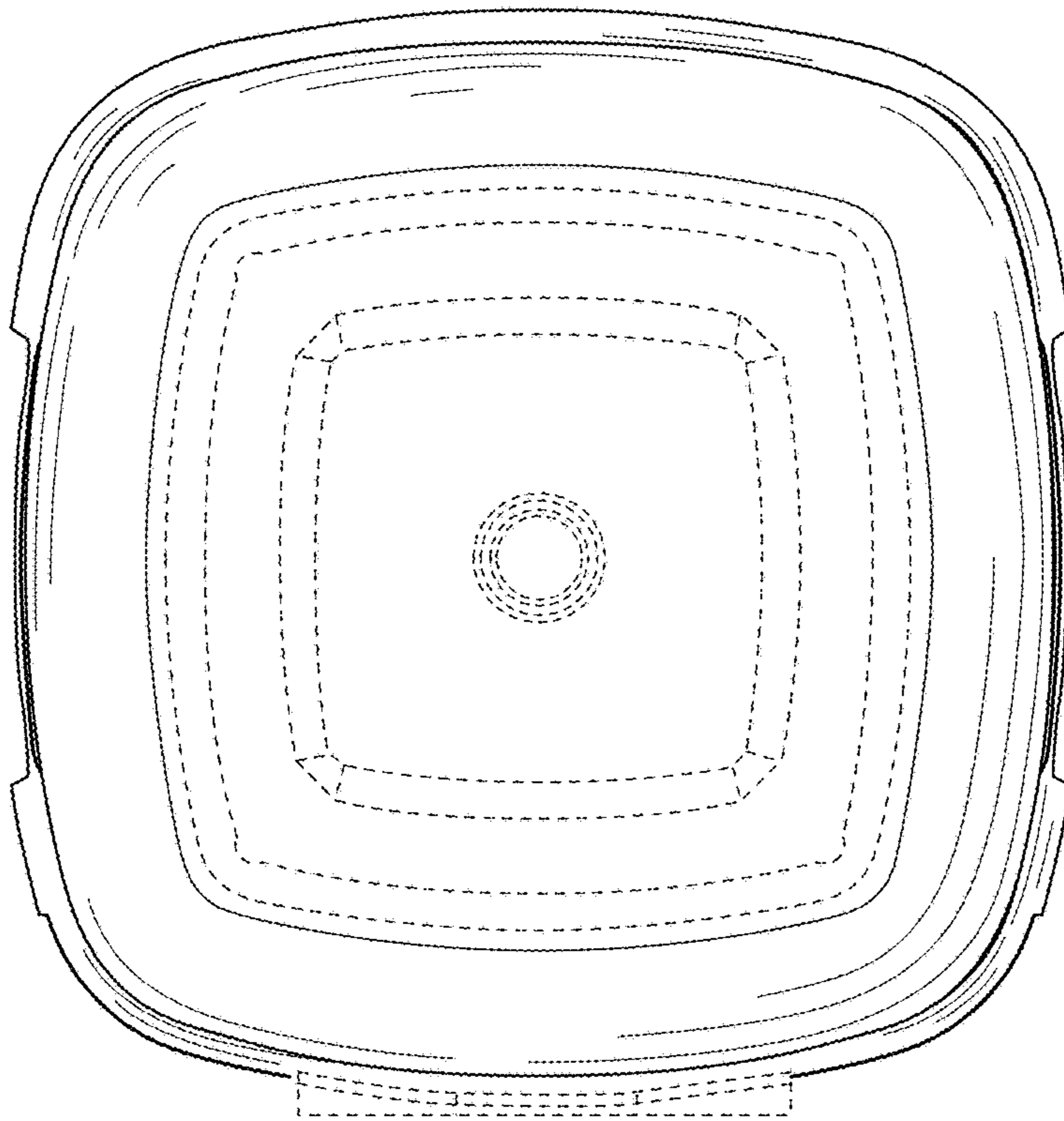


FIG. 7