



US00D820094S

(12) **United States Design Patent**
Morgan

(10) **Patent No.:** **US D820,094 S**
(45) **Date of Patent:** **** Jun. 12, 2018**

- (54) **AEROSOL DISPENSER**
- (71) Applicant: **DNE PHARMA AS**, Oslo (NO)
- (72) Inventor: **Tom Morgan**, Bergen (NO)
- (73) Assignee: **Farma Industri AS**, Oslo (NO)
- (**) Term: **15 Years**
- (21) Appl. No.: **29/622,419**
- (22) Filed: **Oct. 17, 2017**

Related U.S. Application Data

- (62) Division of application No. 35/501,441, filed on Feb. 24, 2016 (U.S. filing date under 35 U.S.C. 384), and having an international filing date of Feb. 24, 2016.
- (51) **LOC (11) Cl.** **09-01**
- (52) **U.S. Cl.**
USPC **D9/529**; D9/521; D9/724
- (58) **Field of Classification Search**
USPC D9/434, 435, 444, 445, 446, 519, 521, D9/522, 529, 530, 542, 543, 549, 558, D9/574, 575, 682, 686-694, 723, 724; 229/87.01, 87.08-87.09; 426/118, 128
CPC ... A23B 7/148; A23L 3/2418; A23V 2002/00; A47G 1/001; B65D 65/04; B65D 65/14; B65D 65/22; B65D 75/08; B65D 75/322; B65D 77/08; B65D 77/225; B65D 81/3461; B65D 85/36; B65D 85/60; B65D 2101/0015; B65D 2205/00; B65D 2543/00296; B65D 2543/00694; B65D 2543/00805; B65D 2571/0066; B65D 2585/36

See application file for complete search history.

(56) **References Cited**

U.S. PATENT DOCUMENTS

- D281,281 S * 11/1985 Matalon D28/5
- D322,752 S * 12/1991 Zintzmeyer D4/116
- D333,975 S * 3/1993 Moore D9/687
- D356,828 S * 3/1995 Harris D19/65

(Continued)

Primary Examiner — Keli L Hill
(74) *Attorney, Agent, or Firm* — O’Shea Getz P.C.

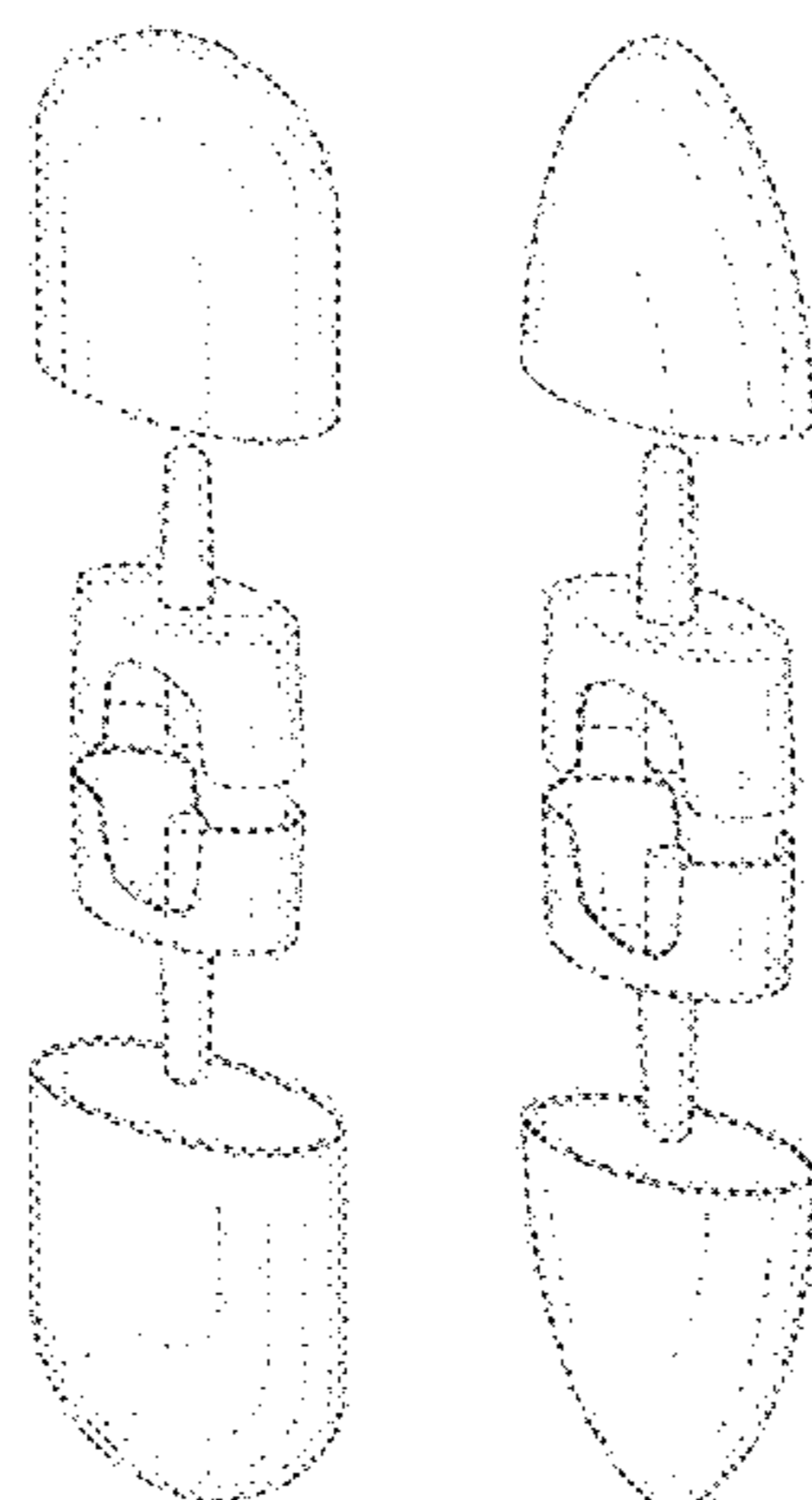
(57) **CLAIM**

The ornamental design of an aerosol dispenser, as shown and described.

DESCRIPTION

FIG. 1 is a perspective view of a first aerosol dispenser embodiment.
 FIG. 2 is a top view of the first aerosol dispenser embodiment.
 FIG. 3 is a bottom view of the first aerosol dispenser embodiment.
 FIG. 4 is a front view of the first aerosol dispenser embodiment.
 FIG. 5 is a back view of the first aerosol dispenser embodiment.
 FIG. 6 is a left view of the first aerosol dispenser embodiment.
 FIG. 7 is a right view of the first aerosol dispenser embodiment.
 FIG. 8 is a perspective view of a second aerosol dispenser embodiment.
 FIG. 9 is a top view of the second aerosol dispenser embodiment.
 FIG. 10 is a bottom view of the second aerosol dispenser embodiment.
 FIG. 11 is a front view of the second aerosol dispenser embodiment.
 FIG. 12 is a back view of the second aerosol dispenser embodiment.
 FIG. 13 is a left view of the second aerosol dispenser embodiment; and,
 FIG. 14 is a right view of the second aerosol dispenser embodiment.

1 Claim, 14 Drawing Sheets



(56)

References Cited

U.S. PATENT DOCUMENTS

D367,004 S *	2/1996	Herbst	D19/901
D399,059 S *	10/1998	Holmgren	D3/316
D491,469 S *	6/2004	Hone	D9/529
D508,858 S *	8/2005	Sato	D9/724
D537,730 S *	3/2007	Shimizu	D9/521
D555,012 S *	11/2007	Yamauchi	D9/724
D605,049 S *	12/2009	Tanii	D9/529
D624,641 S *	9/2010	Boclet	D24/110
D670,570 S *	11/2012	Matsushita	D9/529
D737,436 S *	8/2015	Lev	D24/129
D743,101 S *	11/2015	Pires	D28/76
D771,317 S *	11/2016	Pires	D28/76
D794,472 S *	8/2017	Hui	D9/689

* cited by examiner

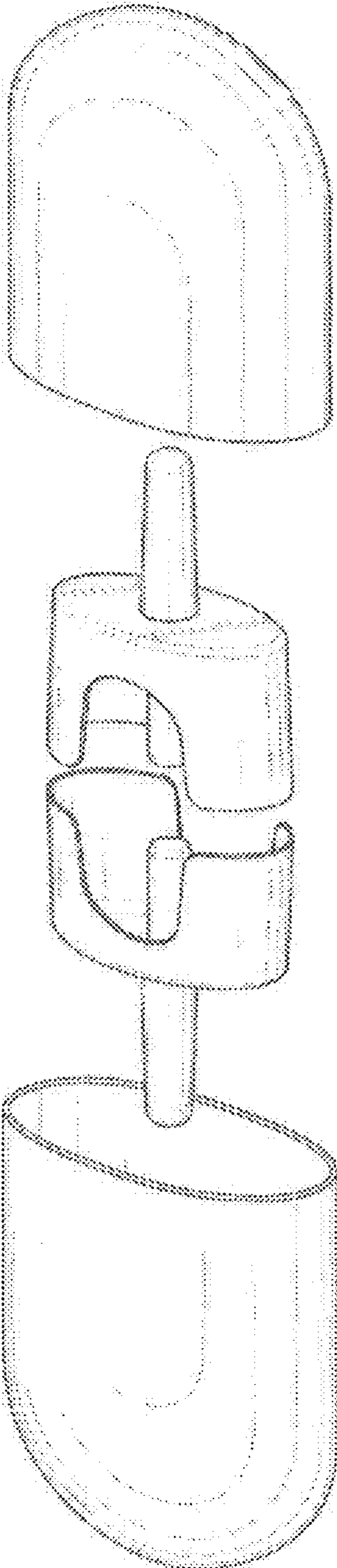


FIG. 1

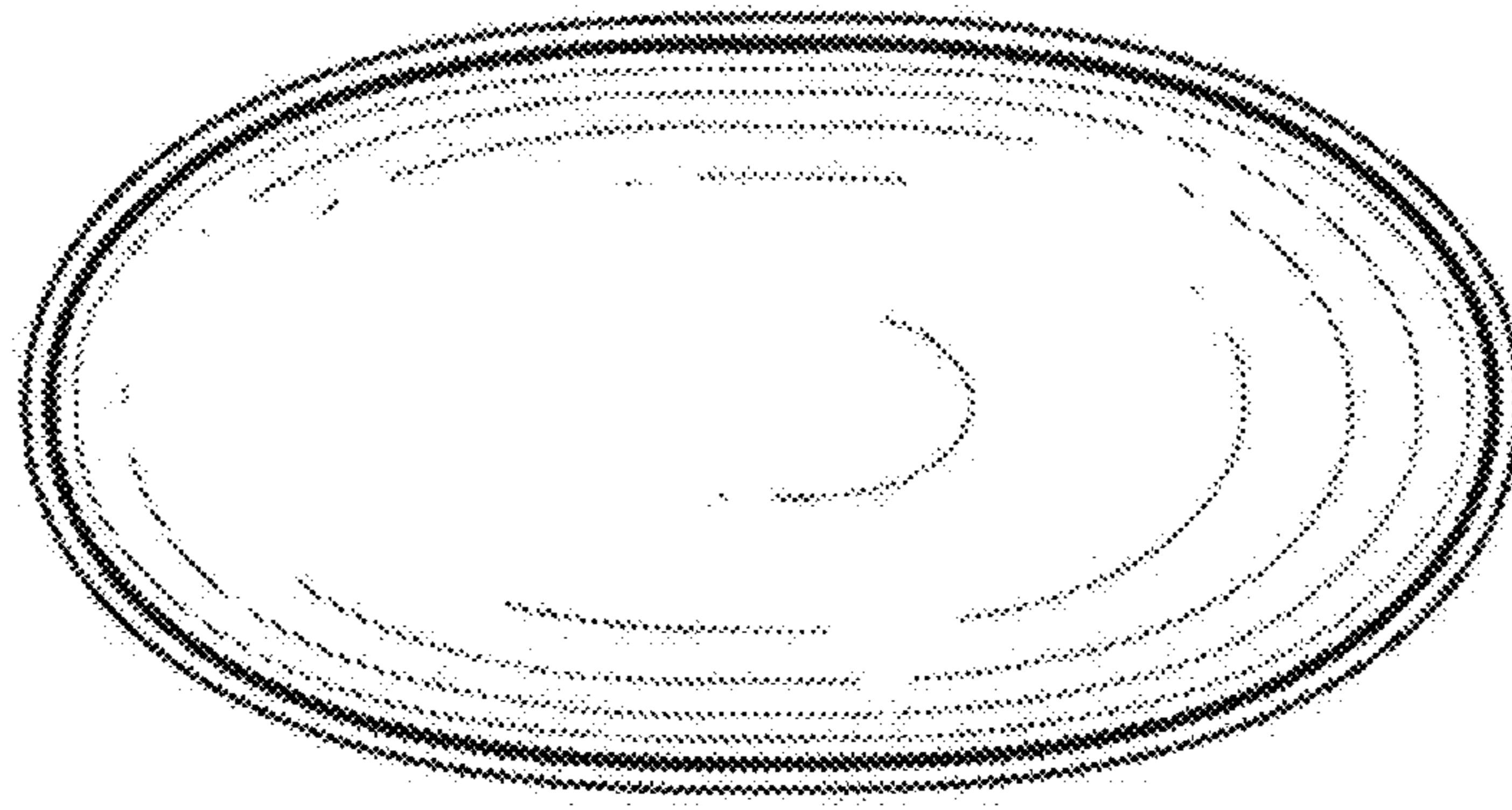


FIG. 2

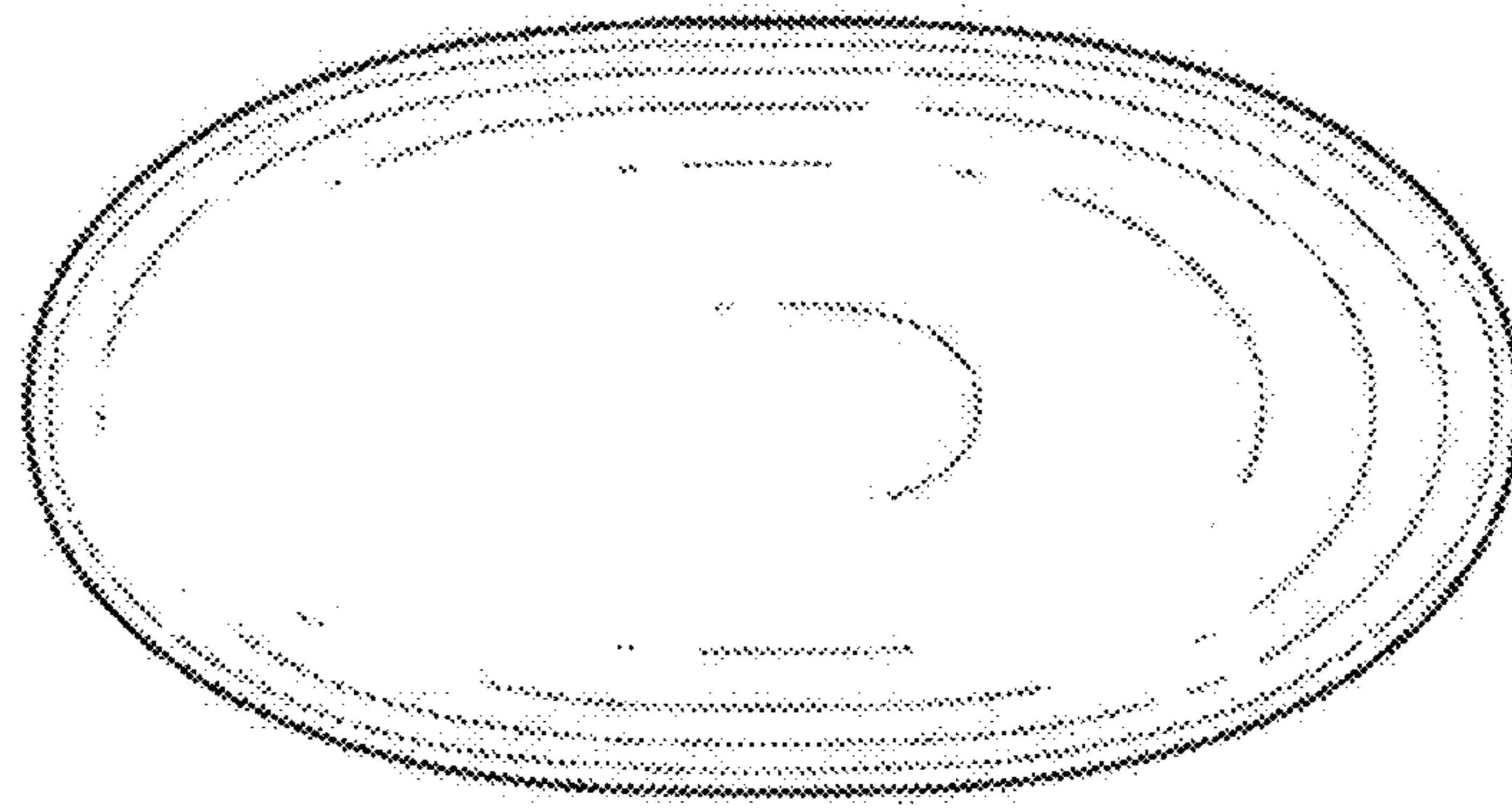


FIG. 3

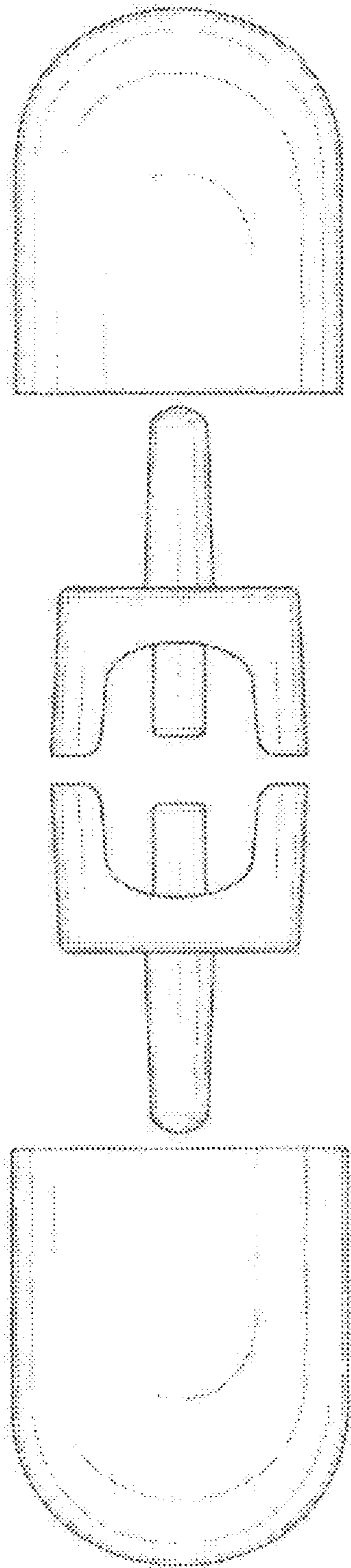


FIG. 4

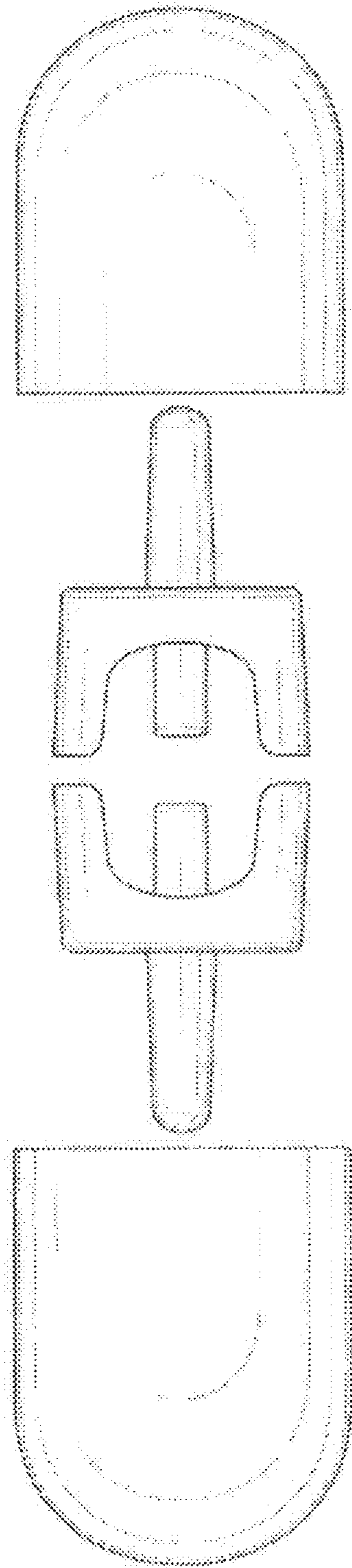


FIG. 5

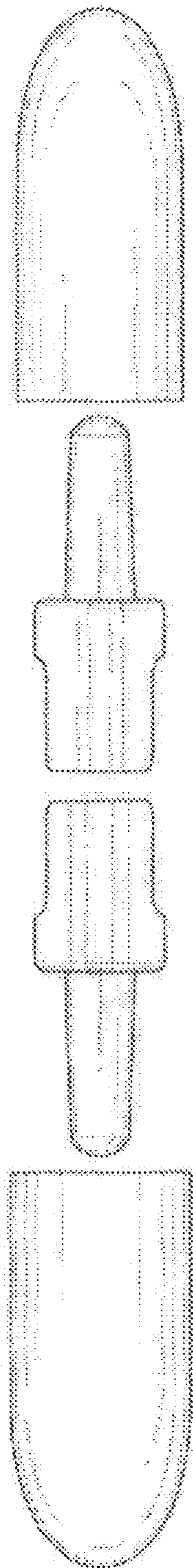


FIG. 6

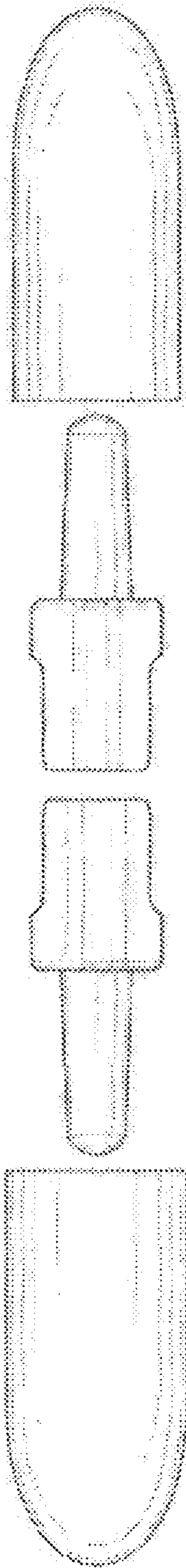


FIG. 7

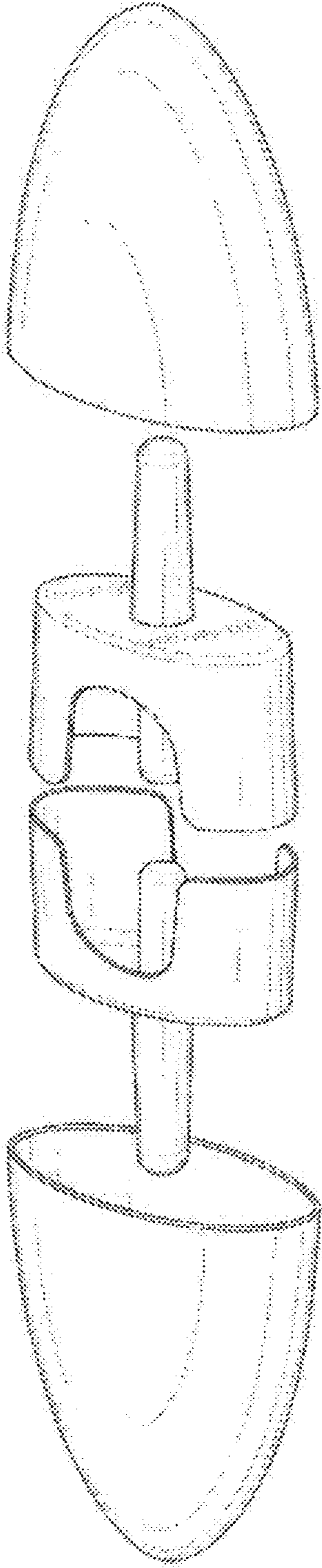


FIG. 8

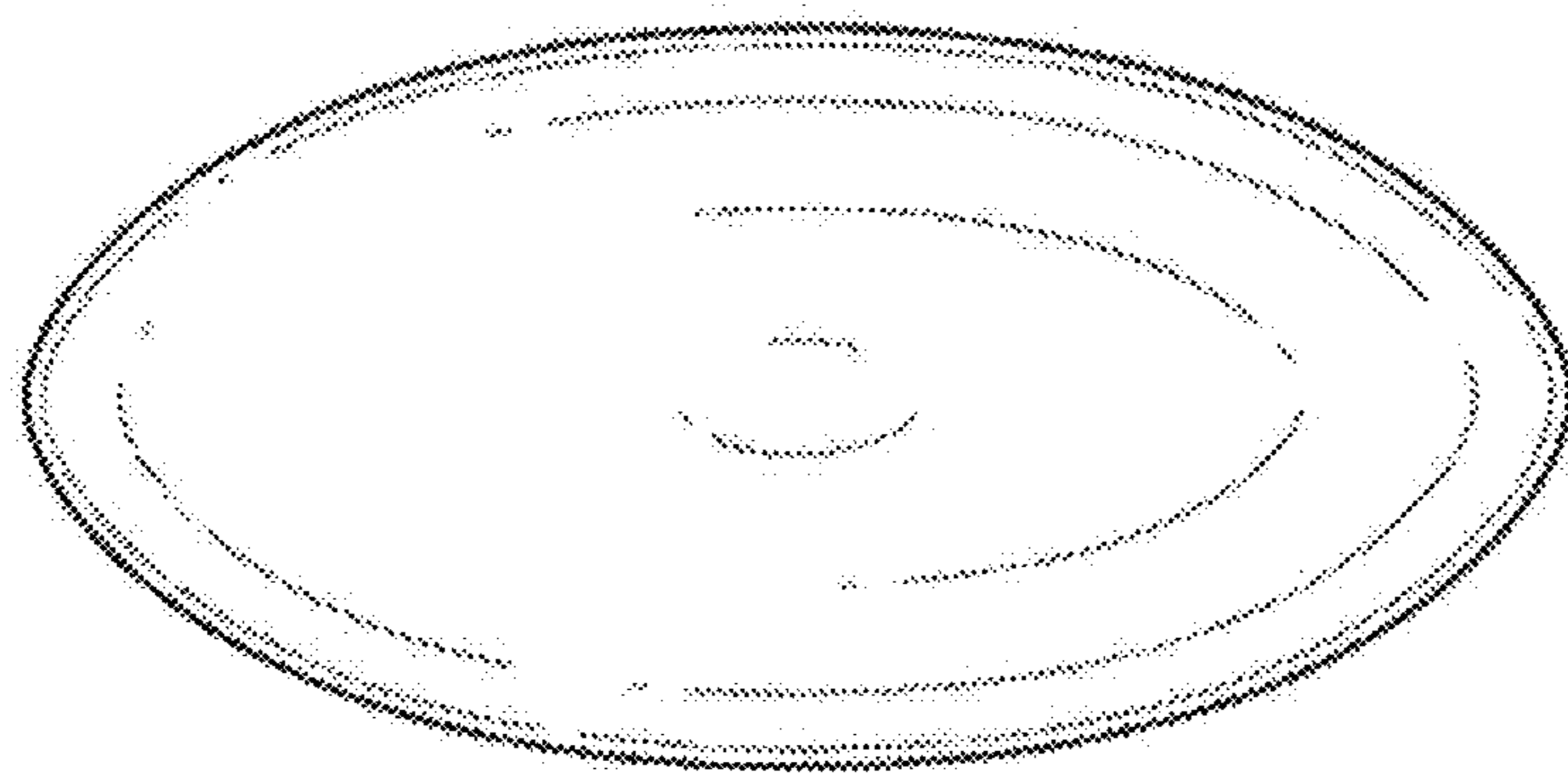


FIG. 9

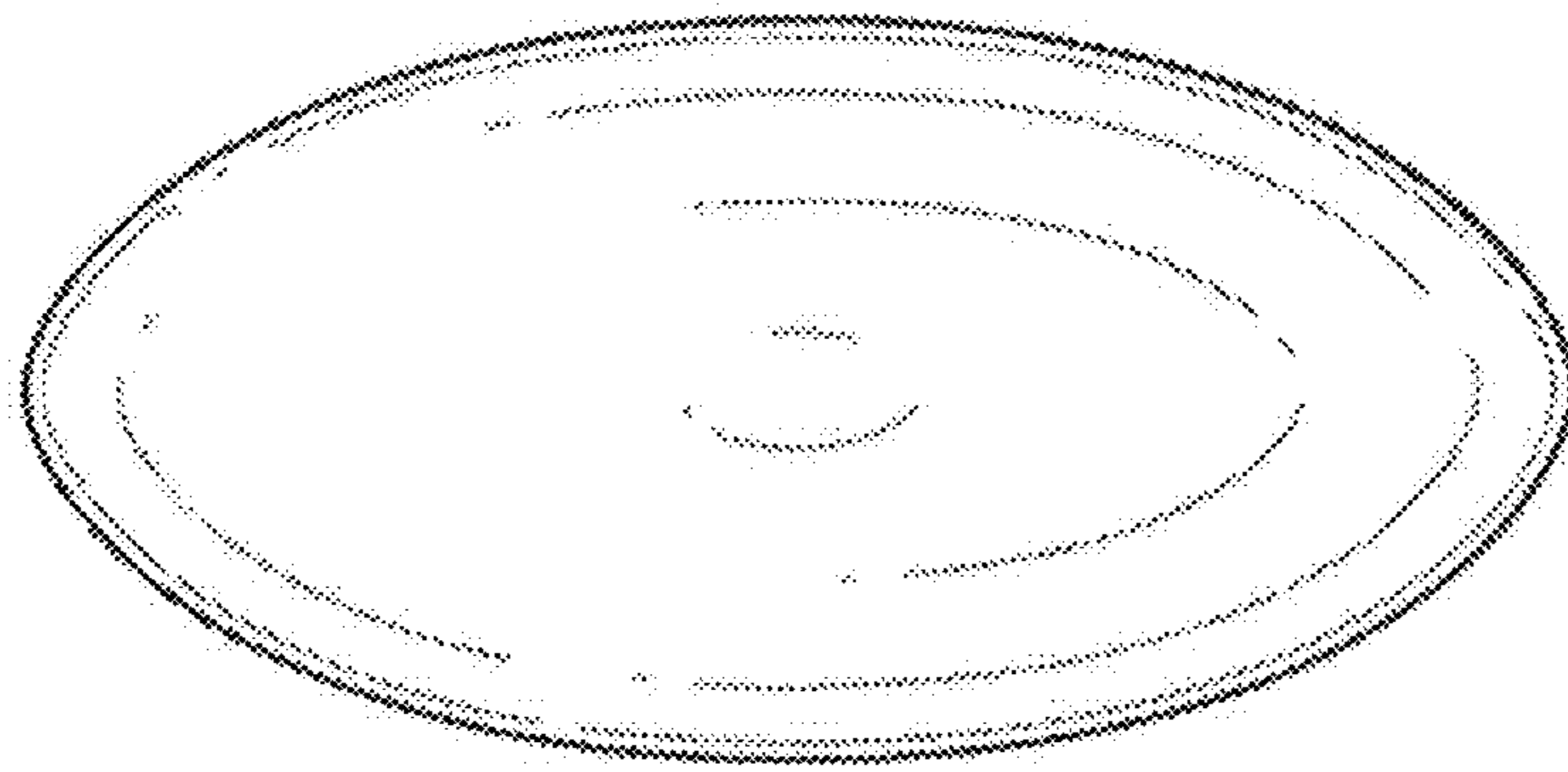


FIG. 10

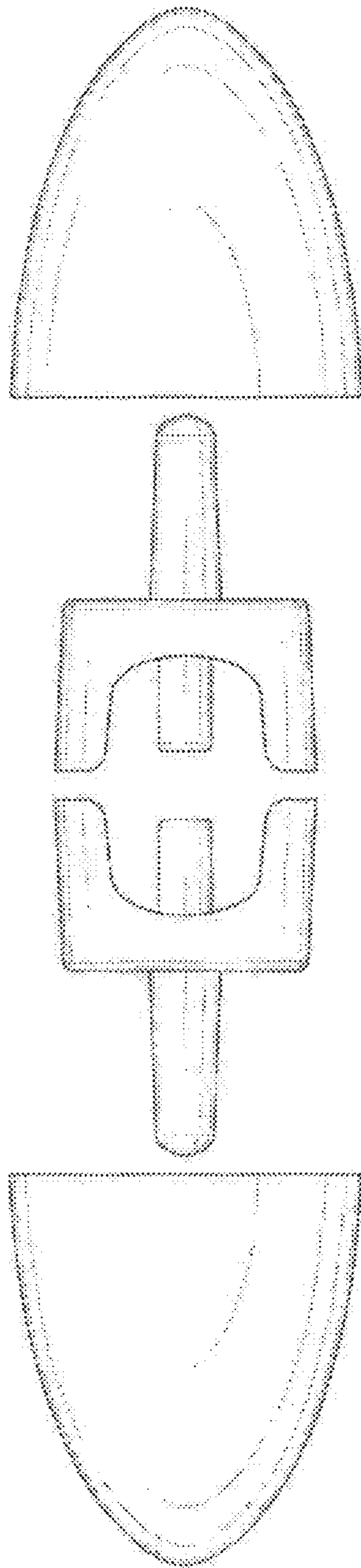


FIG. 11

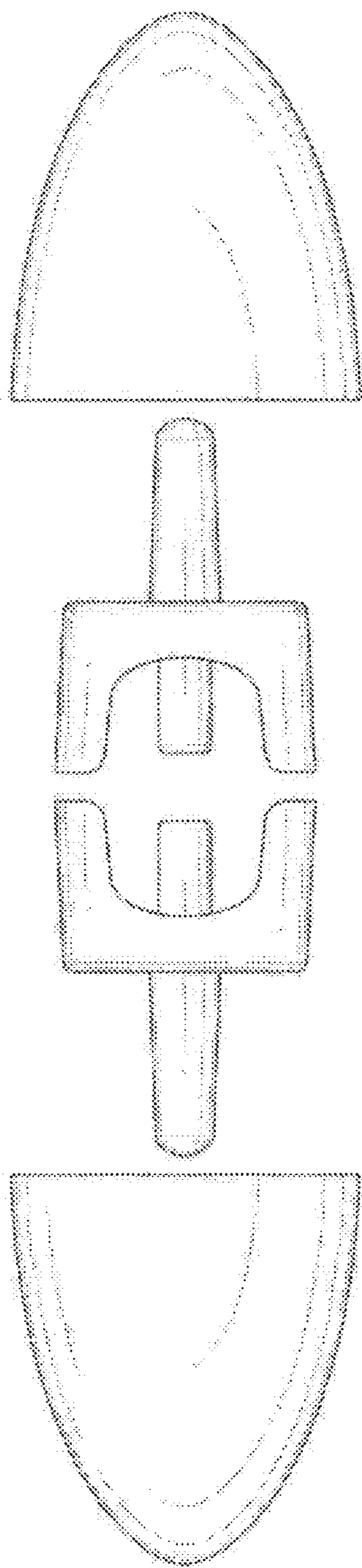


FIG. 12

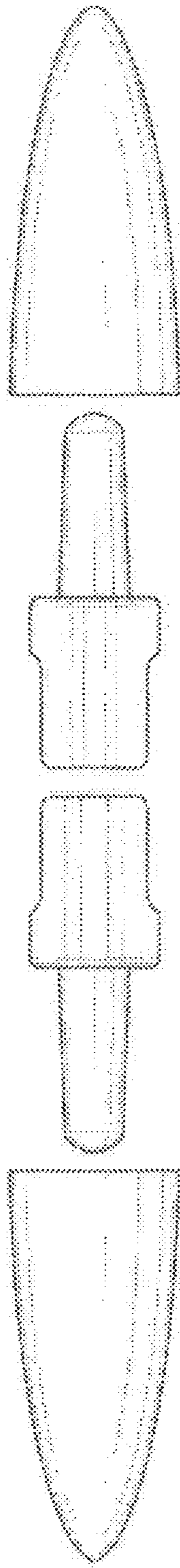


FIG. 13

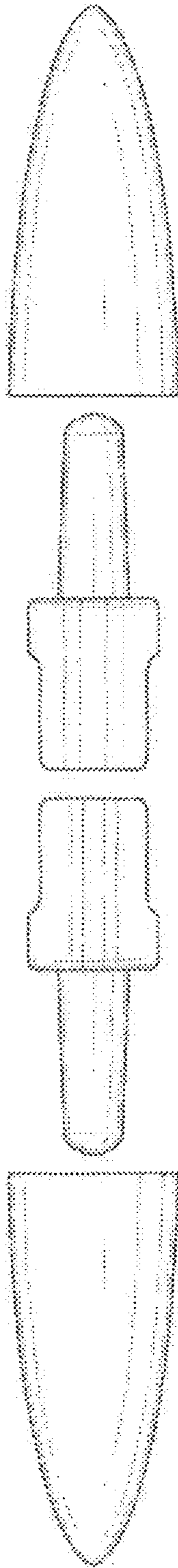


FIG. 14