

US00D820093S

(12) **United States Design Patent** (10) **Patent No.:** **US D820,093 S**
Pontes et al. (45) **Date of Patent:** **** Jun. 12, 2018**

(54) **FLASK**

(56) **References Cited**

(71) Applicant: **Natura Cosméticos S.A.**, Itapecerica da Serra (BR)

(72) Inventors: **Nathalia Moschiar Pontes**, Itapecerica da Serra (BR); **Wagner Silva**, Itapecerica da Serra (BR); **Rafael Aparecido Caponegri**, Itapecerica da Serra (BR); **Leonardo Massarelli Cardoso**, São Paulo (BR); **Flavio Di Sarno**, São Paulo (BR); **Eduardo de Mattos Egydio**, Itapecerica da Serra (BR)

(73) Assignee: **NATURA COSMÉTICOS S.A.**, São Paulo—SP (BR)

(**) Term: **15 Years**

(21) Appl. No.: **29/540,744**

(22) Filed: **Sep. 28, 2015**

(30) **Foreign Application Priority Data**

Apr. 15, 2015 (BR) 302015001751

(51) **LOC (11) Cl.** **09-01**

(52) **U.S. Cl.**
USPC **D9/529**

(58) **Field of Classification Search**
USPC D9/434–435, 444–445, 516, 523, D9/529–530, 544, 682, 686, 693, 715, D9/719; D3/205; D7/300, 300.1, 598; D28/5
CPC B65D 1/00; B65D 1/02; B65D 1/0223; B65D 23/00; B65D 81/00; B65D 2501/00; B65D 2501/0009; B65D 2501/0081

See application file for complete search history.

U.S. PATENT DOCUMENTS

D344,894 S *	3/1994	Bareiss	D9/522
D345,306 S *	3/1994	Bareiss	D9/522
D345,505 S *	3/1994	Bareiss	D9/516
D469,694 S *	2/2003	Lerolle	D19/180
D546,690 S *	7/2007	Rashid	D9/522
D604,622 S *	11/2009	Bohache	D9/529
D609,099 S *	2/2010	Oates	D9/522
D612,736 S *	3/2010	Pecora	D9/522
D616,307 S *	5/2010	Legros	D9/435
D632,963 S *	2/2011	Hale	D9/438
D649,466 S *	11/2011	Oates	D9/522
D665,263 S *	8/2012	Sanghavi	D9/522
D681,469 S *	5/2013	Mishan	D9/435
D699,117 S *	2/2014	Snyder	D9/449
D739,606 S *	9/2015	DeMarco Staab	D28/76
D746,144 S *	12/2015	Vieira Santos	D9/537
D758,664 S *	6/2016	Van Maanen	D28/51
D768,495 S *	10/2016	Staab	D9/452
D768,500 S *	10/2016	McIntire	D9/521
D783,409 S *	4/2017	Teller	D9/575

* cited by examiner

Primary Examiner — Ian Simmons

Assistant Examiner — Keith Frank

(74) *Attorney, Agent, or Firm* — B. Aaron Schulman, Esq.; Stites & Harbison, PLLC

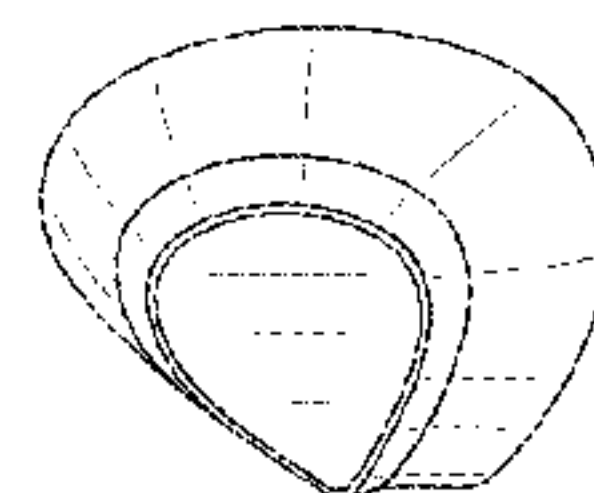
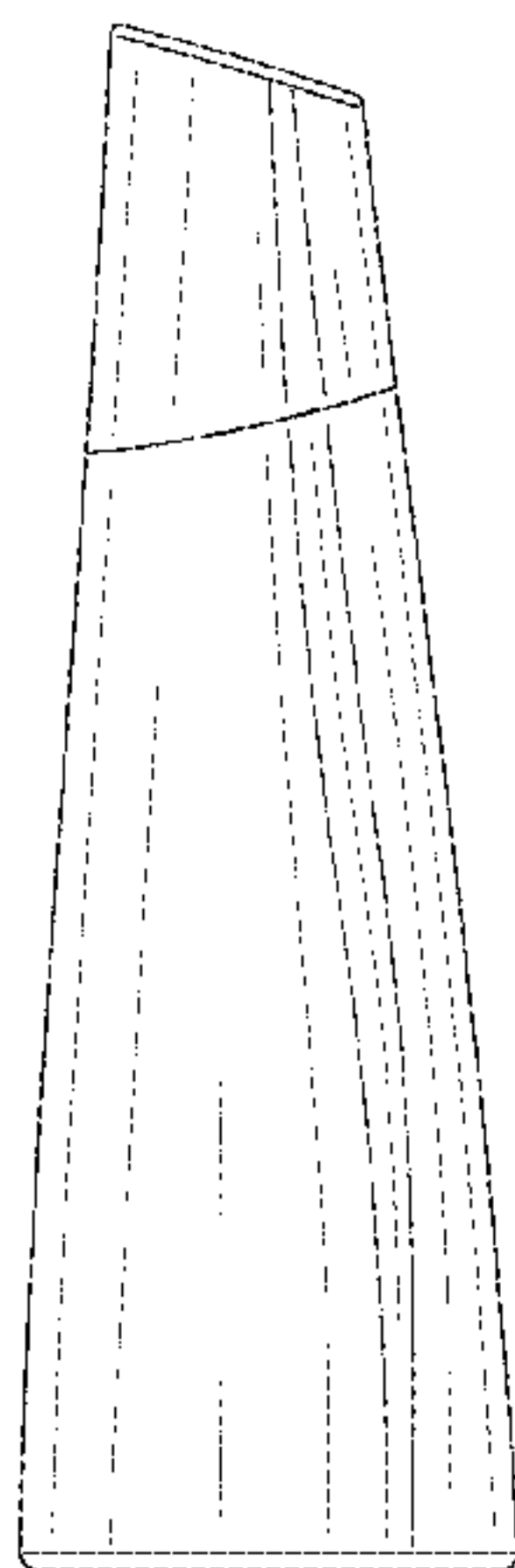
(57) **CLAIM**

The ornamental design for a flask, as shown and described.

DESCRIPTION

FIG. 1 is a top left front perspective view showing the new design for a flask;
FIG. 2 is a front view thereof;
FIG. 3 is a left side view thereof;
FIG. 4 is a right side view thereof;
FIG. 5 is a top view thereof;
FIG. 6 is a bottom view thereof; and,
FIG. 7 is a rear view thereof.
FIG. 8 is a bottom right front perspective view thereof.

1 Claim, 3 Drawing Sheets



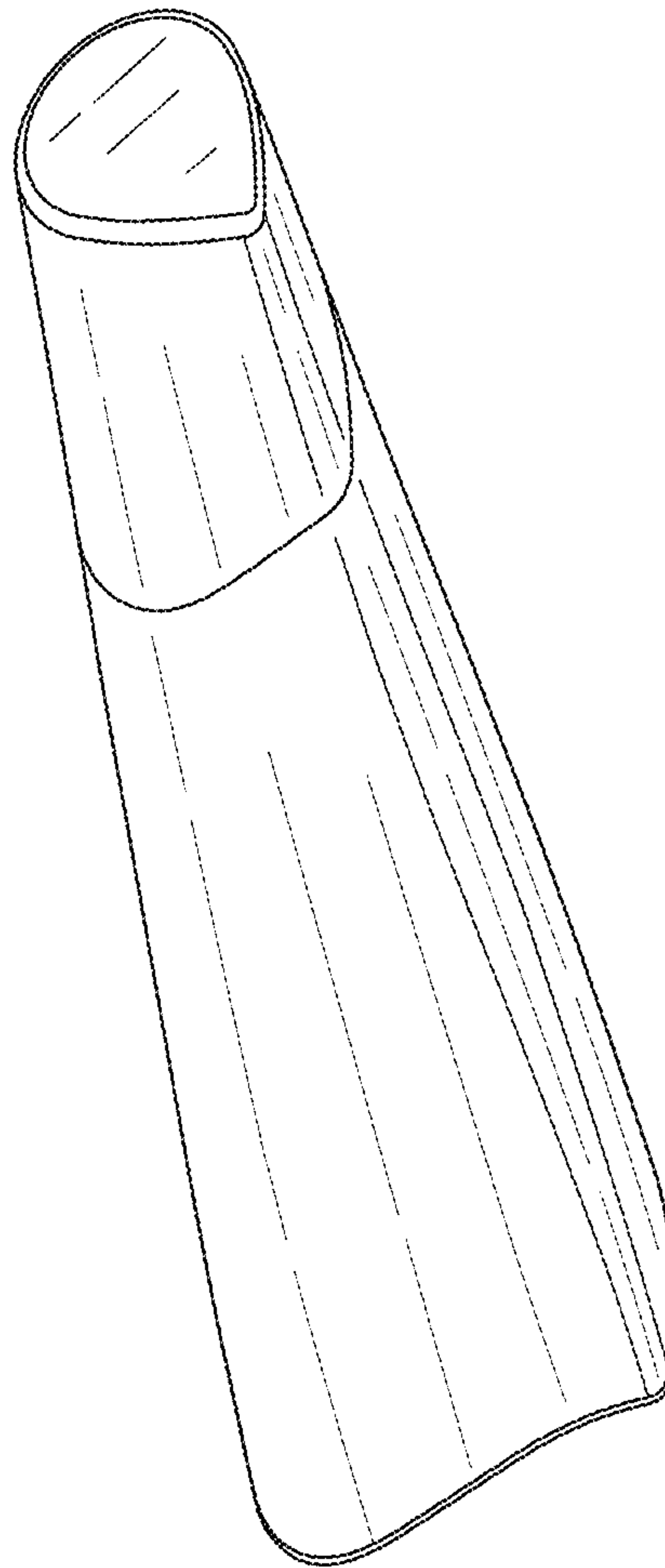


FIG. 1

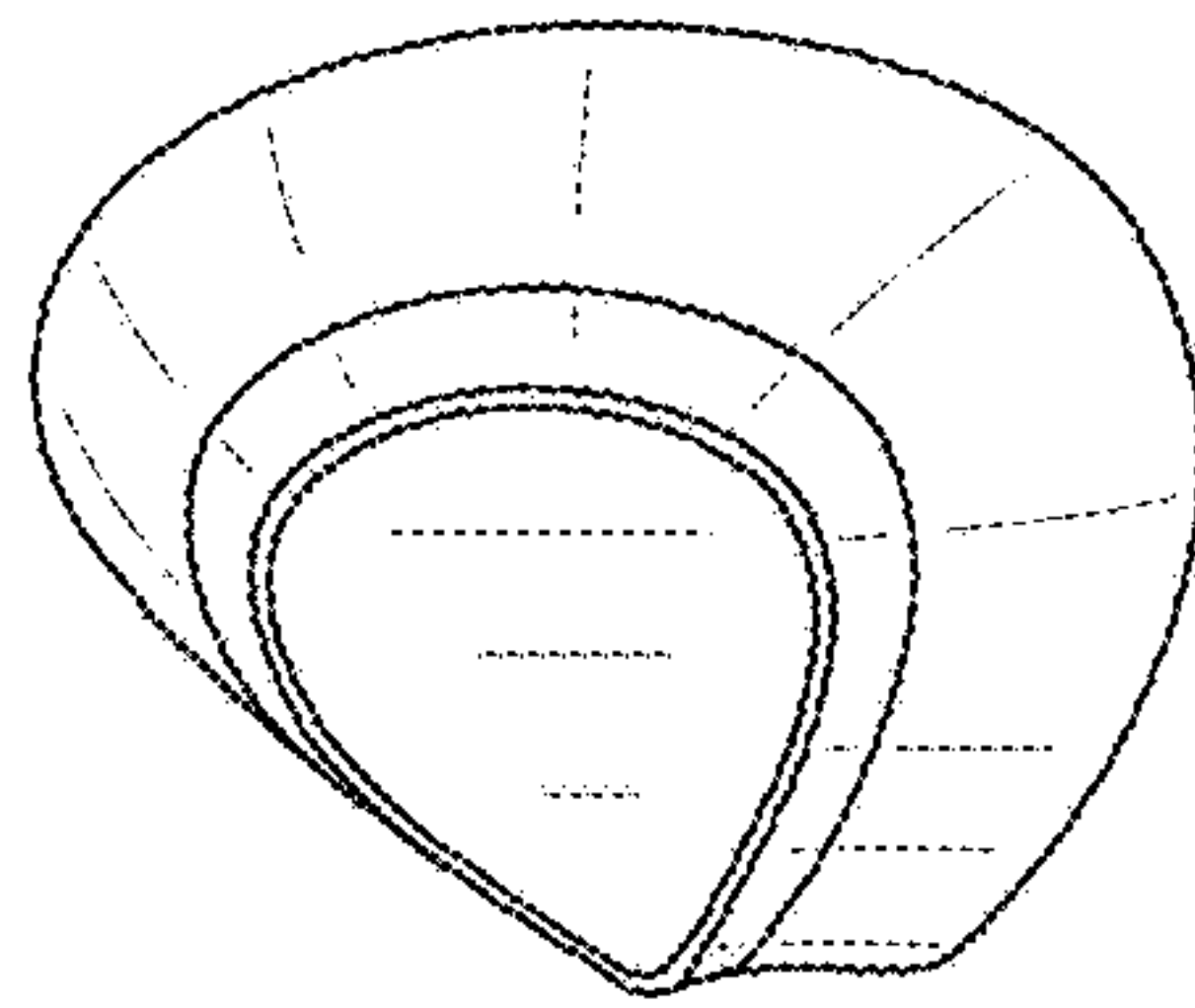


FIG. 5

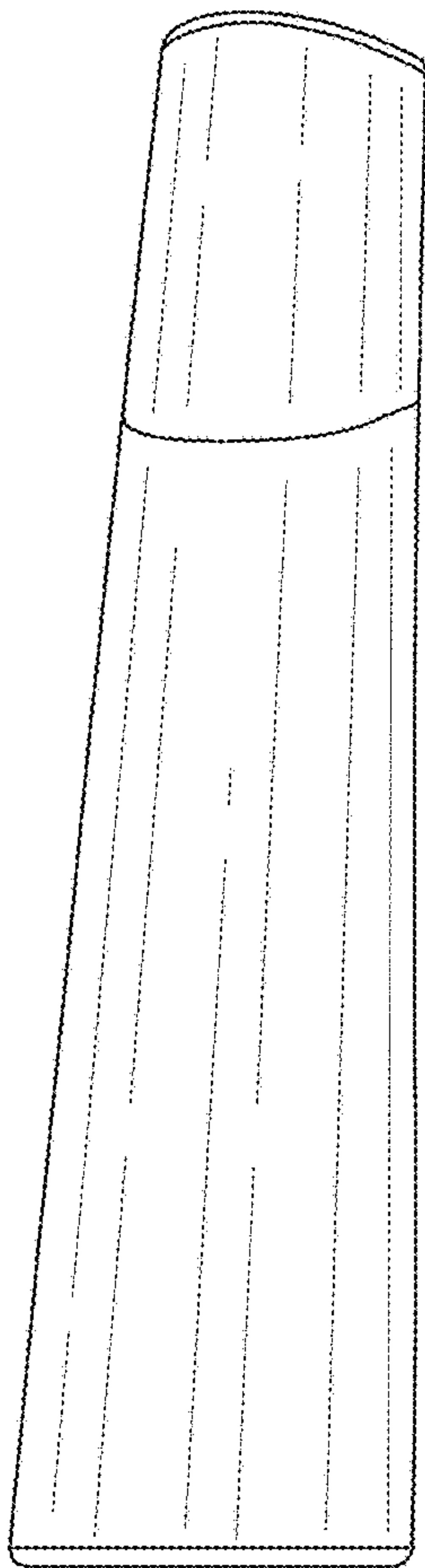


FIG. 3

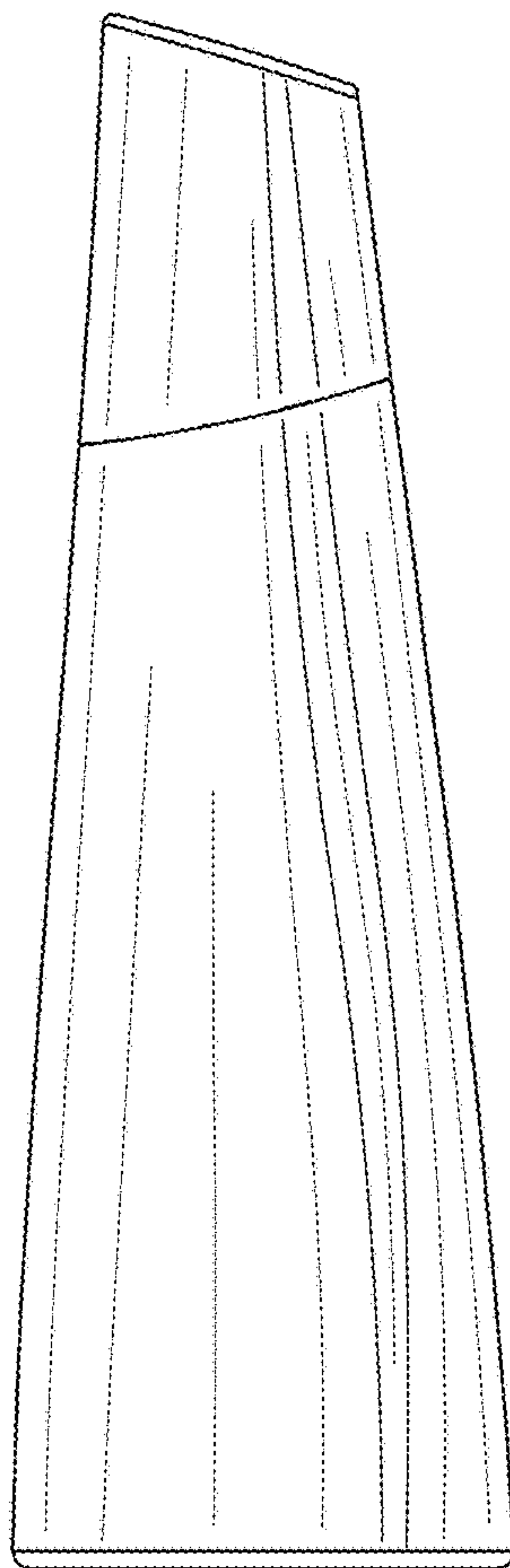


FIG. 2

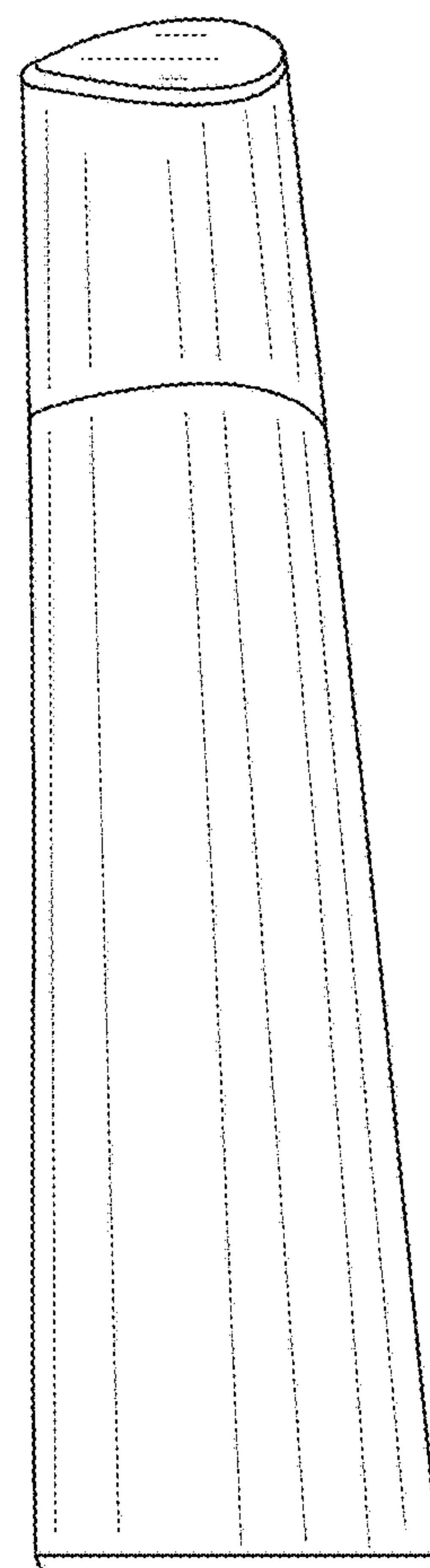


FIG. 4

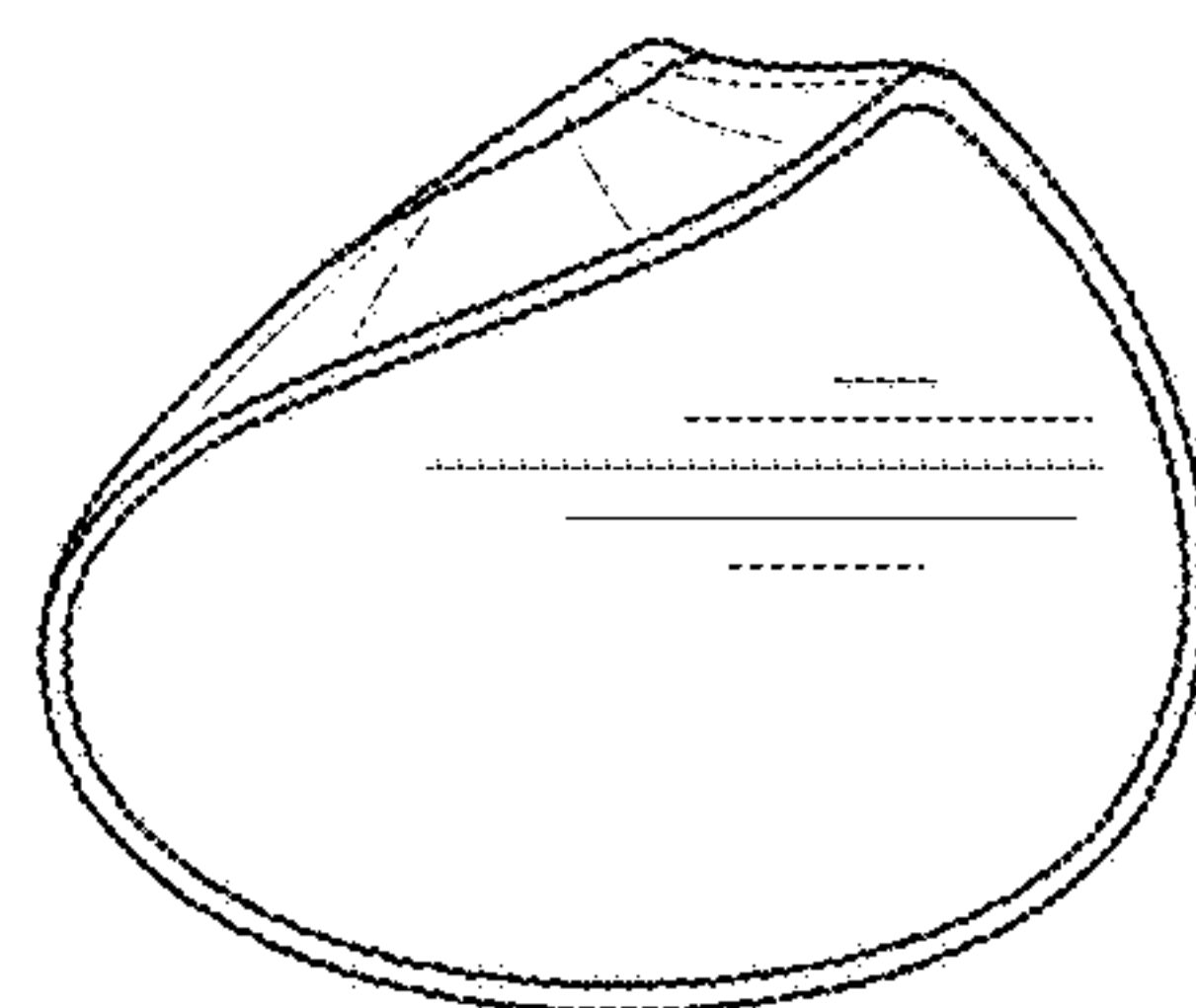


FIG. 6

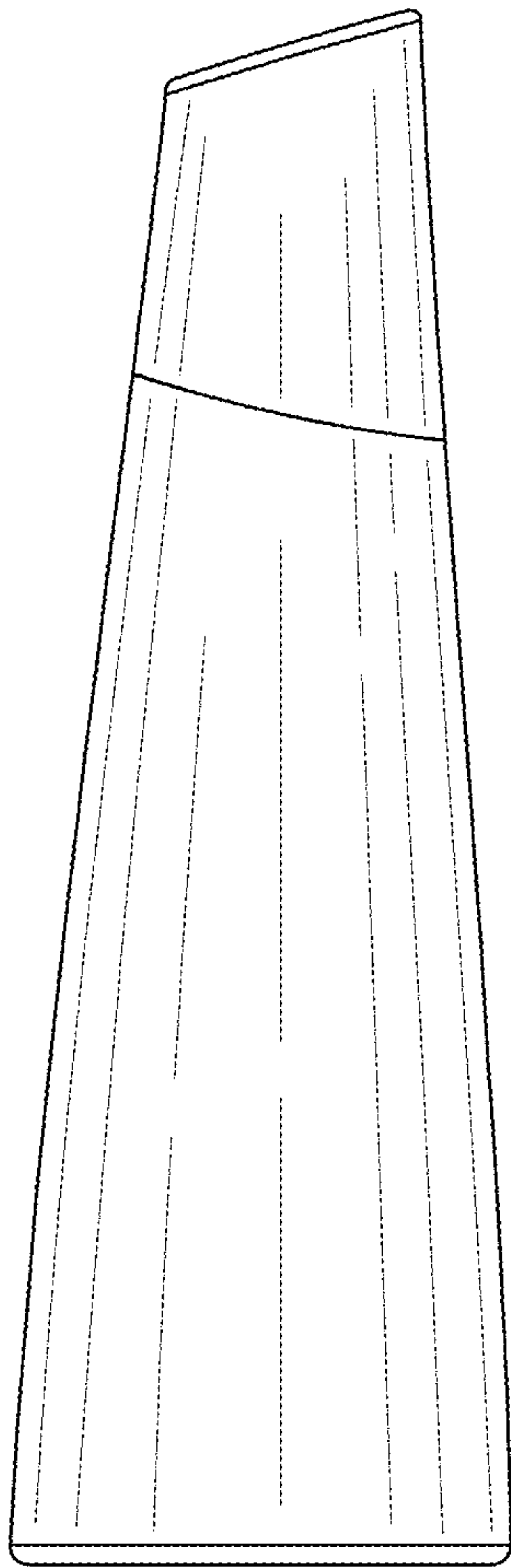


FIG. 7

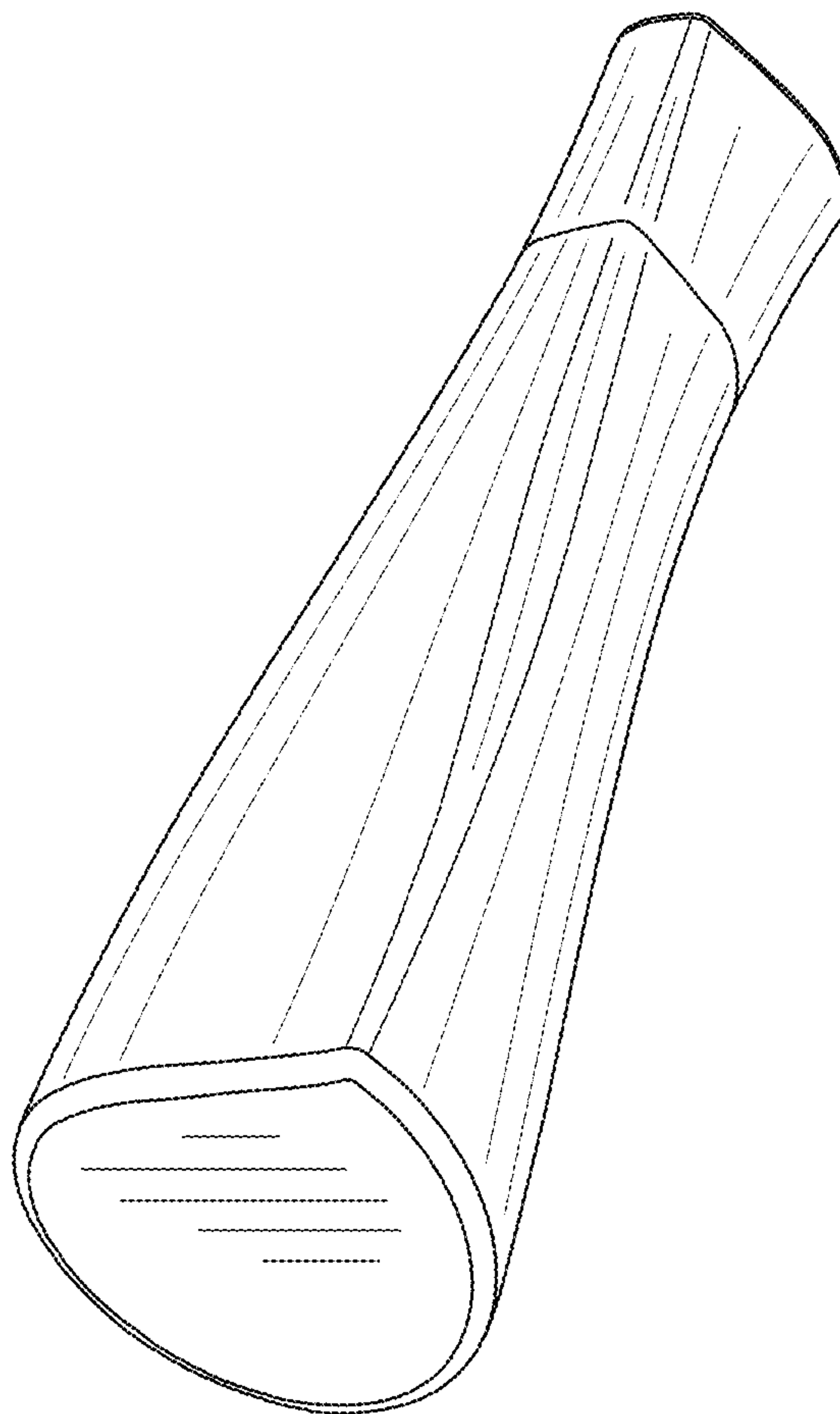


FIG. 8