



US00D820092S

(12) **United States Design Patent**  
**Tatievski**

(10) **Patent No.: US D820,092 S**

(45) **Date of Patent: \*\* \*Jun. 12, 2018**

(54) **CANISTER**

(71) Applicant: **Boris Tatievski**, Berlin (DE)

(72) Inventor: **Boris Tatievski**, Berlin (DE)

(\*) Notice: This patent is subject to a terminal disclaimer.

(\*\*) Term: **14 Years**

(21) Appl. No.: **29/489,296**

(22) Filed: **Apr. 29, 2014**

(30) **Foreign Application Priority Data**

Oct. 30, 2013 (EM) ..... 002336057-0001  
Oct. 30, 2013 (EM) ..... 002336057-0002  
Oct. 30, 2013 (EM) ..... 002336057-0005  
Oct. 30, 2013 (EM) ..... 002336057-0006

(51) **LOC (11) Cl.** ..... **09-01**

(52) **U.S. Cl.**  
USPC ..... **D9/528**; D9/523; D9/575

(58) **Field of Classification Search**  
USPC ..... D9/516, 523, 526, 543, 547, 559, 560,  
D9/563, 565, 569, 572, 575, 737, 738,  
D9/742; 215/381-385, 396; 220/662.665  
CPC .. B65D 2501/0081; B65D 2519/00034; B65D  
1/02; B65D 1/0223  
See application file for complete search history.

(56) **References Cited**

**U.S. PATENT DOCUMENTS**

D208,823 S \* 10/1967 Lowe, III et al. .... D9/520  
D325,522 S \* 4/1992 Brochenin ..... D9/523  
D408,286 S \* 4/1999 Rego Garcia De Alba ... D7/511  
D413,515 S \* 9/1999 Skolnicki ..... D9/520  
D435,452 S \* 12/2000 Giugiaro ..... D9/528  
D448,285 S \* 9/2001 Palm ..... D9/523  
D485,187 S \* 1/2004 Stinedurf ..... D9/523  
D507,488 S \* 7/2005 Golding ..... D9/528  
D536,983 S \* 2/2007 Robinson ..... D9/528

D582,289 S \* 12/2008 Kissinger ..... D9/543  
D585,748 S \* 2/2009 Flanagan-Kent ..... D9/516  
D595,586 S \* 7/2009 Kissinger ..... D9/528  
D605,048 S \* 12/2009 Smith, III ..... D9/523  
D610,462 S \* 2/2010 Weber ..... D9/528

(Continued)

**OTHER PUBLICATIONS**

Office Action dated Sep. 28, 2015 from U.S. Appl. No. 29/489,302, filed Apr. 29, 2014.

(Continued)

*Primary Examiner* — Ian Simmons

*Assistant Examiner* — Keith Frank

(74) *Attorney, Agent, or Firm* — Sunstone IP

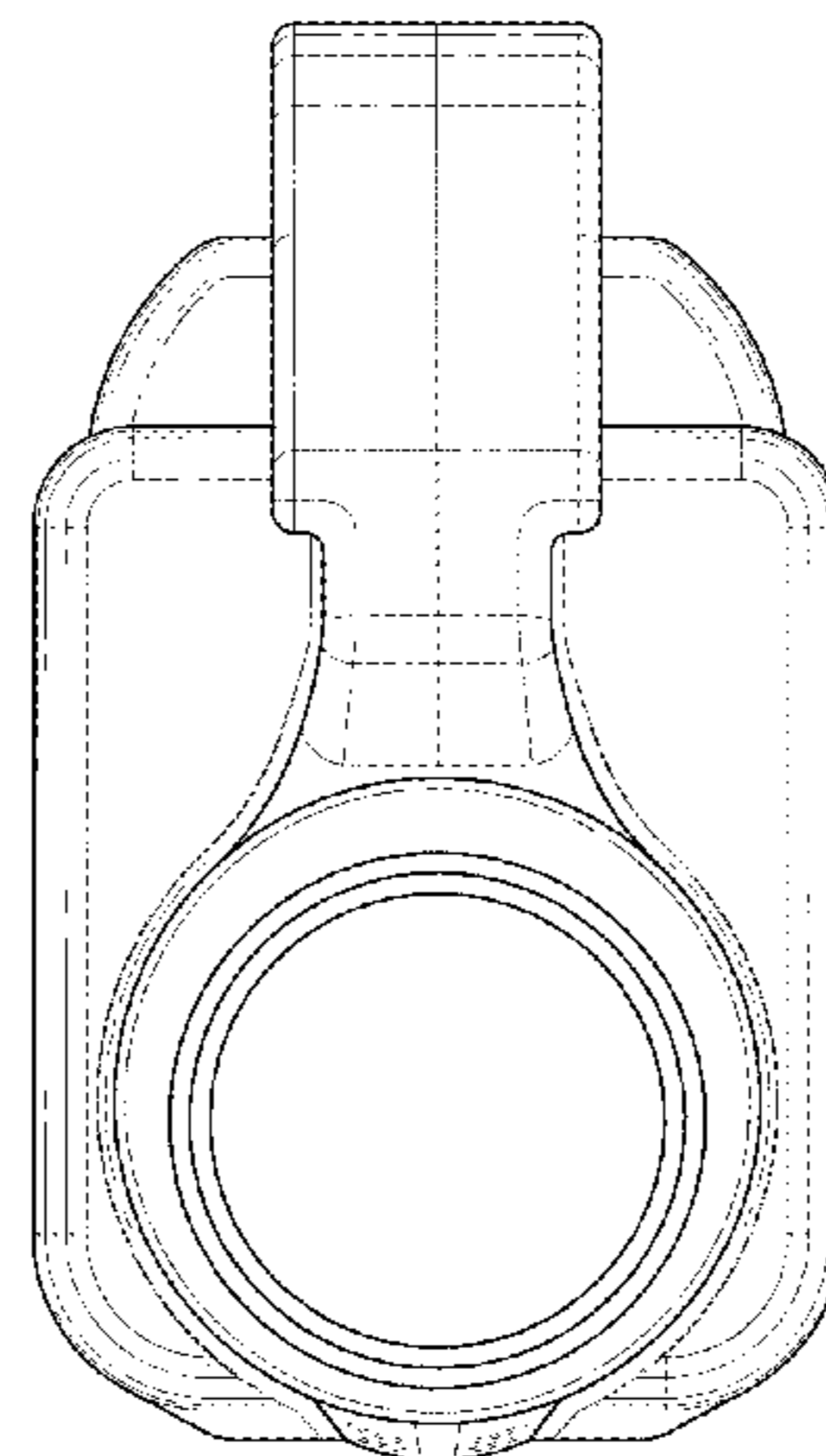
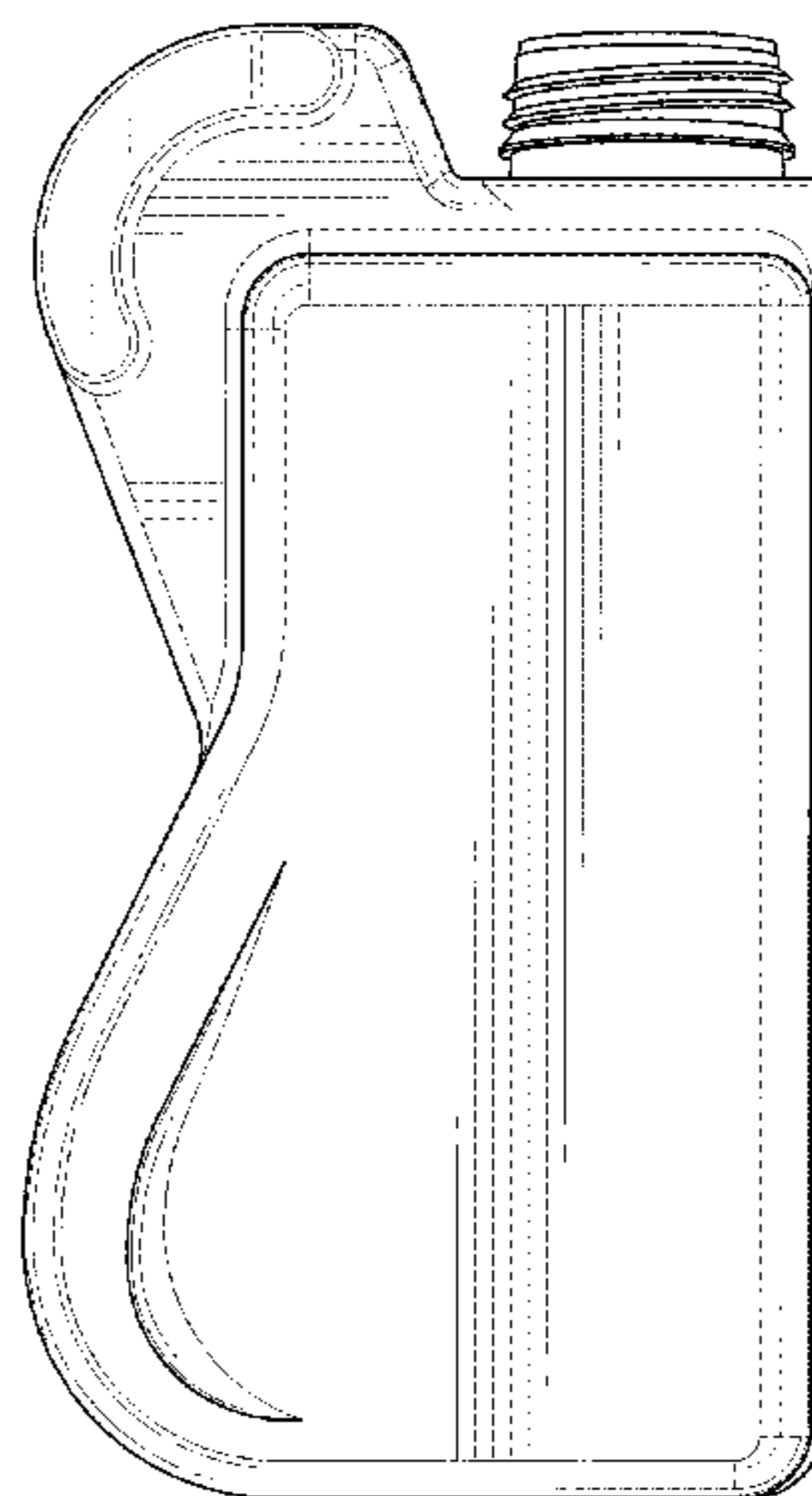
(57) **CLAIM**

The ornamental design for a canister, as shown and described.

**DESCRIPTION**

FIG. 1 is a perspective view of the first embodiment of a canister according to my new ornamental design; FIG. 2 is a front elevational view thereof; FIG. 3 is a rear elevational view thereof; FIG. 4 is a top plan view thereof; FIG. 5 is a bottom plan view thereof; FIG. 6 is a left side elevational view thereof; FIG. 7 is another perspective view thereof; FIG. 8 is a perspective view of a second embodiment of the canister of FIG. 1; FIG. 9 is a front elevational view thereof; FIG. 10 is a rear elevational view thereof; FIG. 11 is a top plan view thereof; FIG. 12 is a bottom plan view thereof; FIG. 13 is a left side elevational view thereof; and, FIG. 14 is another perspective view thereof. The broken lines in the drawings depict portions of the canister that form no part of the claimed design.

**1 Claim, 8 Drawing Sheets**



(56)

**References Cited**

U.S. PATENT DOCUMENTS

D626,846	S	*	11/2010	Schlies	.....	D9/528
D635,029	S	*	3/2011	Warren	.....	D9/523
D658,500	S	*	5/2012	Haupt	.....	D9/528
D669,786	S	*	10/2012	McMillian	.....	D9/523
D673,456	S	*	1/2013	Masters	.....	D9/523
D734,157	S	*	7/2015	Hawry	.....	D9/528

OTHER PUBLICATIONS

Office Action dated May 20, 2016 from U.S. Appl. No. 29/489,302,  
filed Apr. 29, 2014.

Office Action dated Dec. 19, 2016 from U.S. Appl. No. 29/489,302,  
filed Apr. 29, 2014.

\* cited by examiner

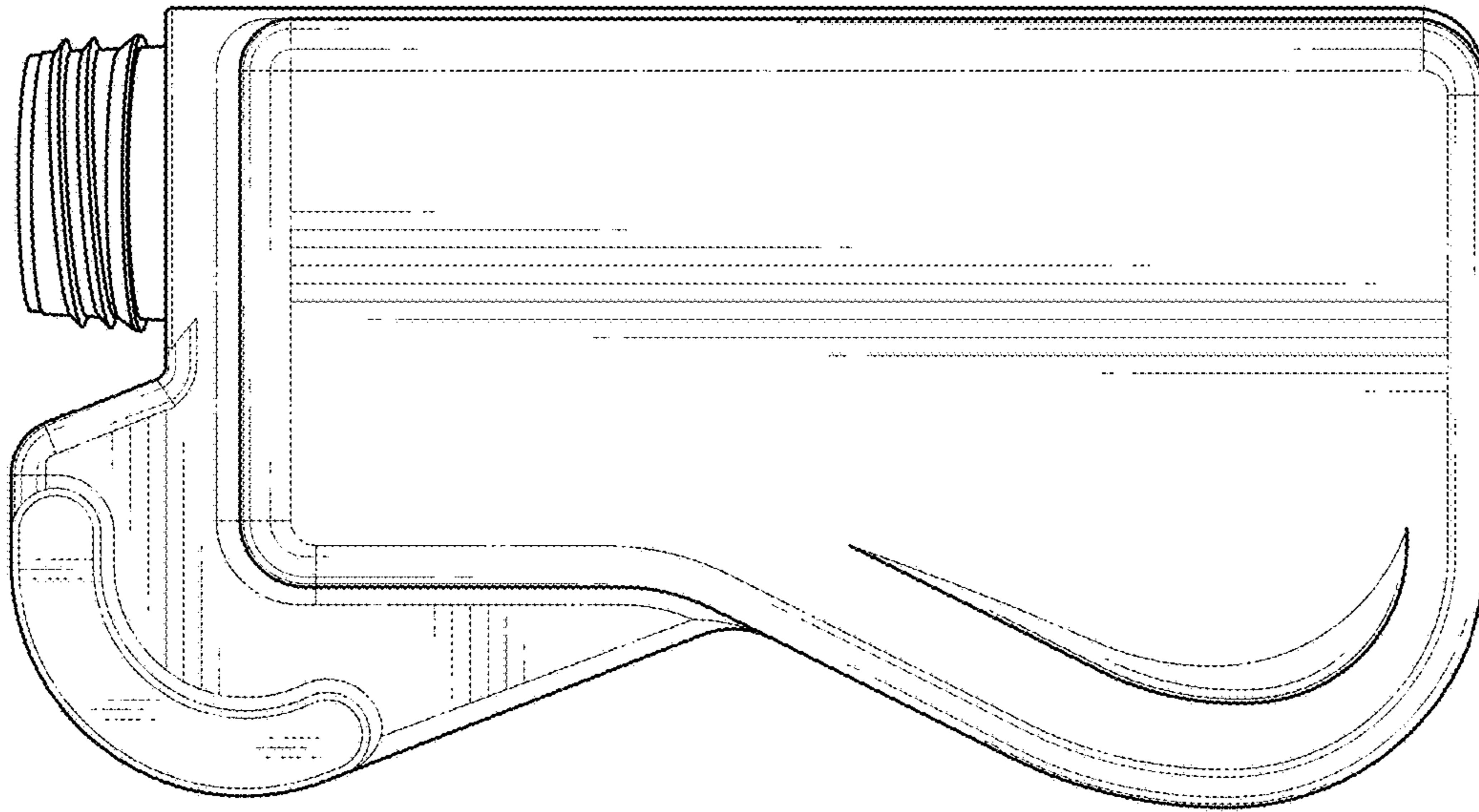


FIG. 2

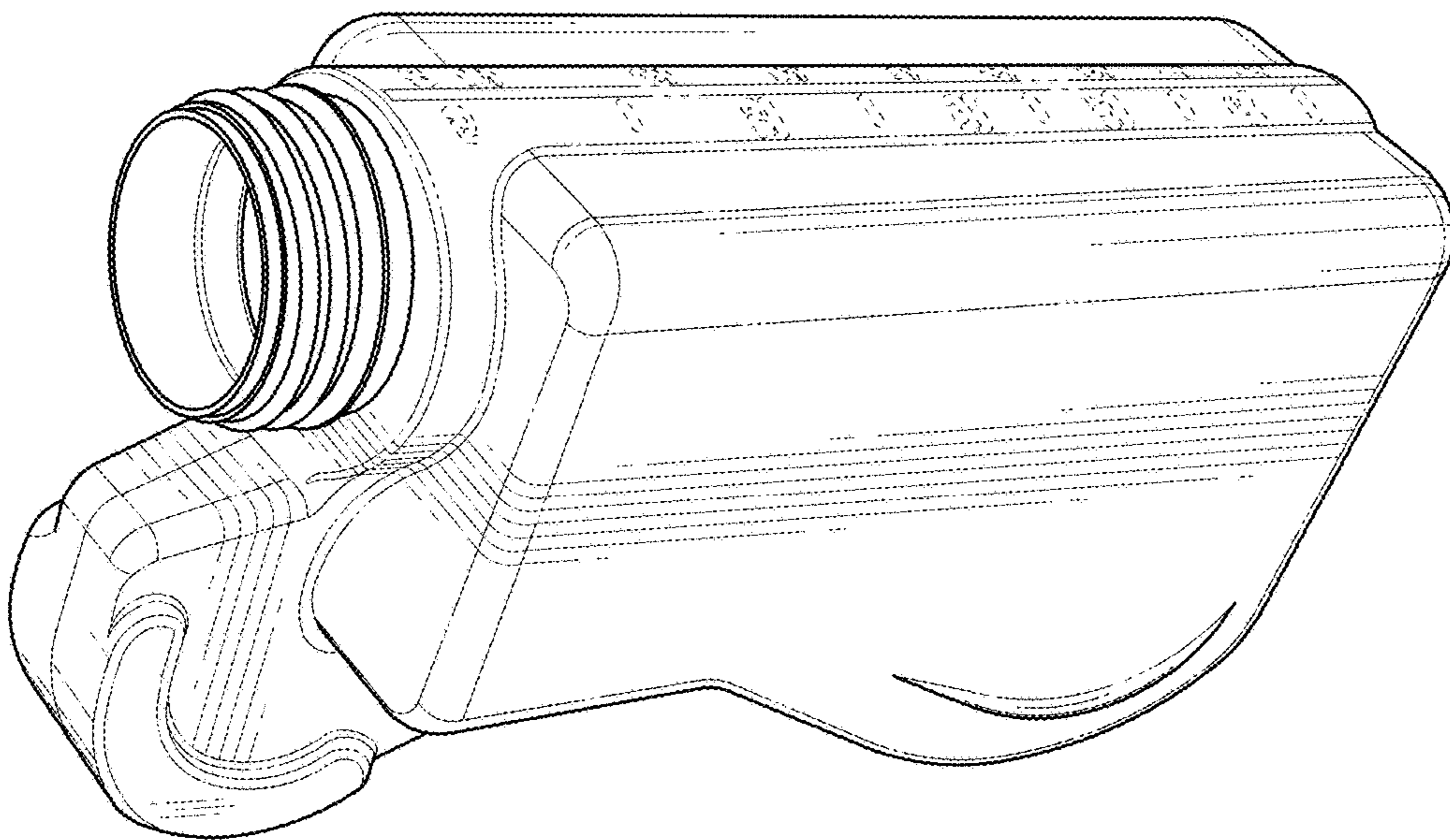


FIG. 1

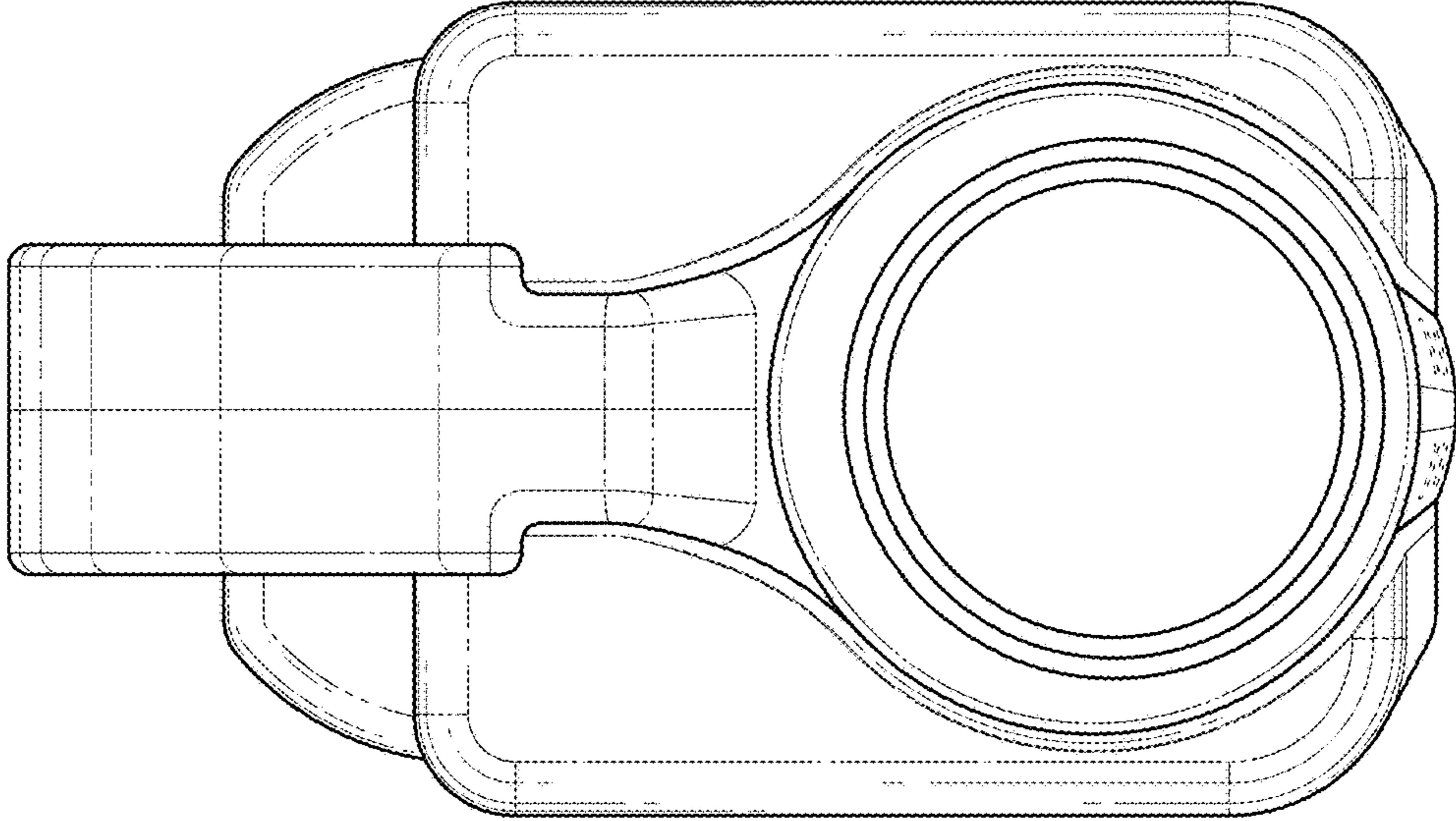


FIG. 4

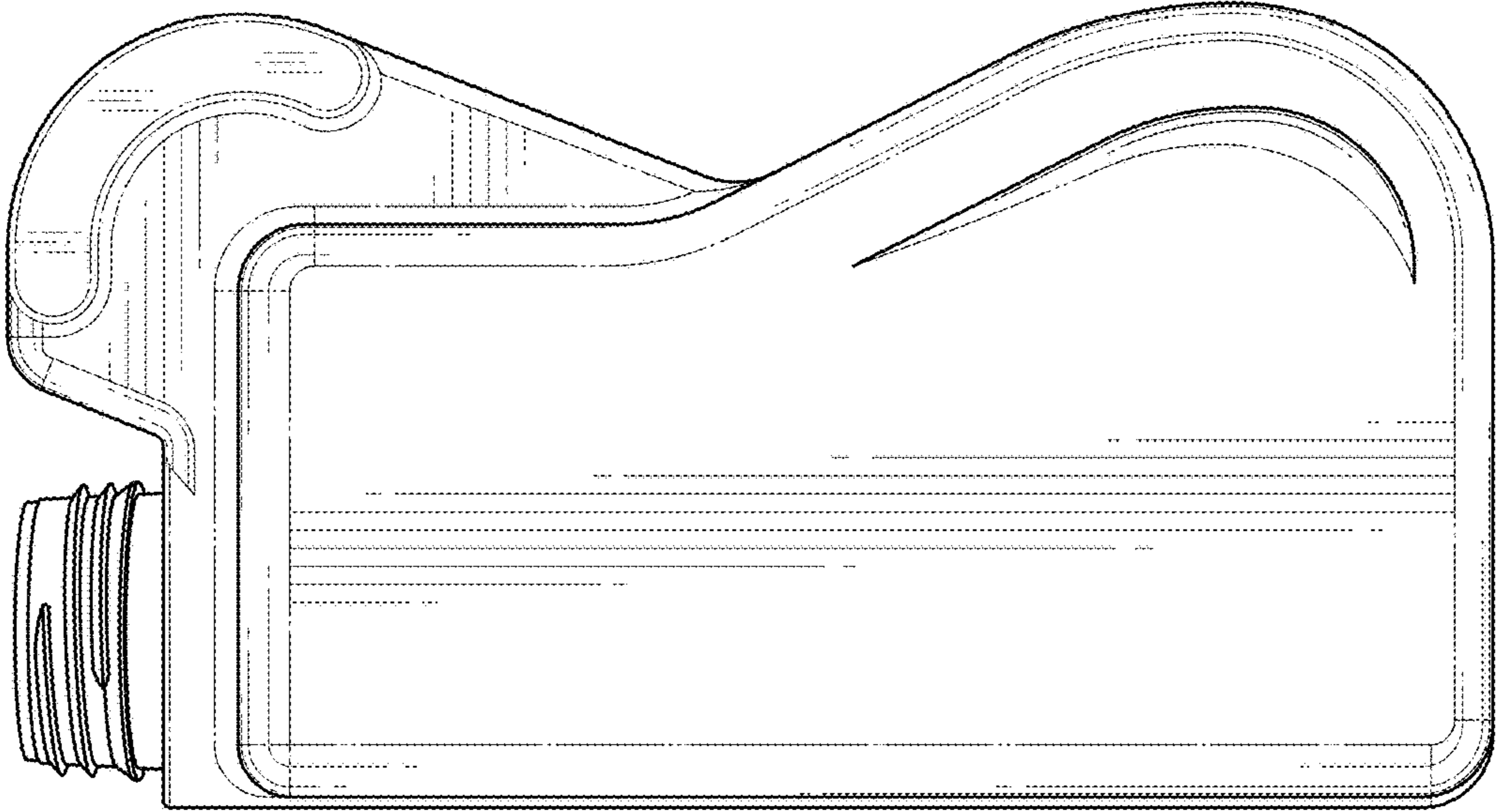


FIG. 3

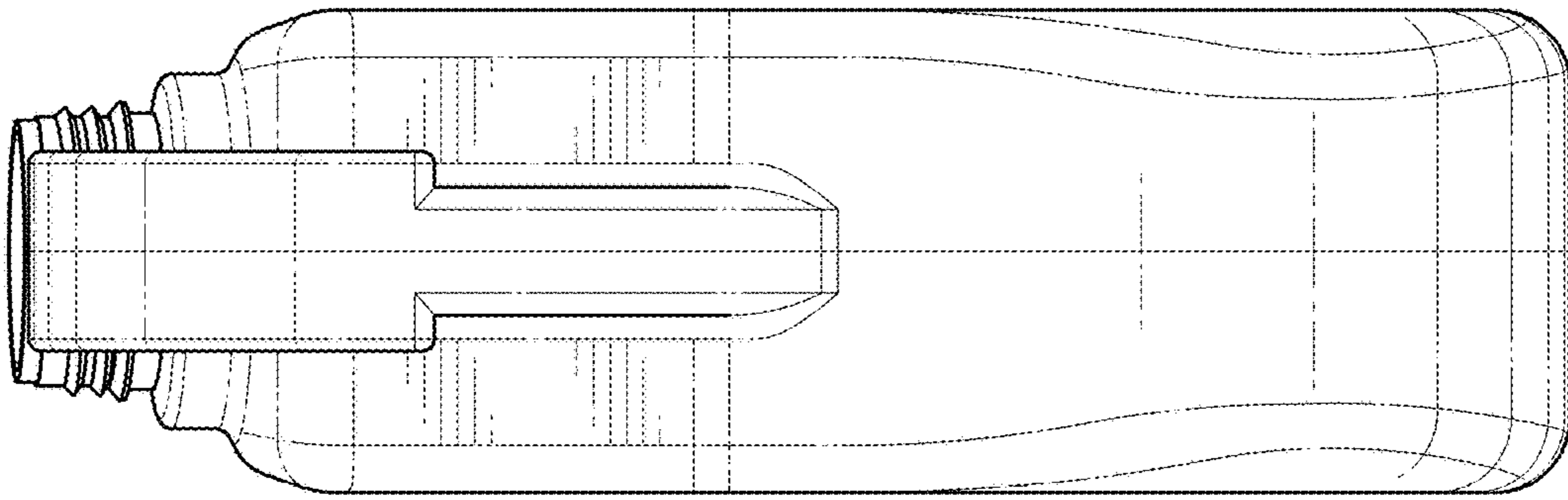


FIG. 6

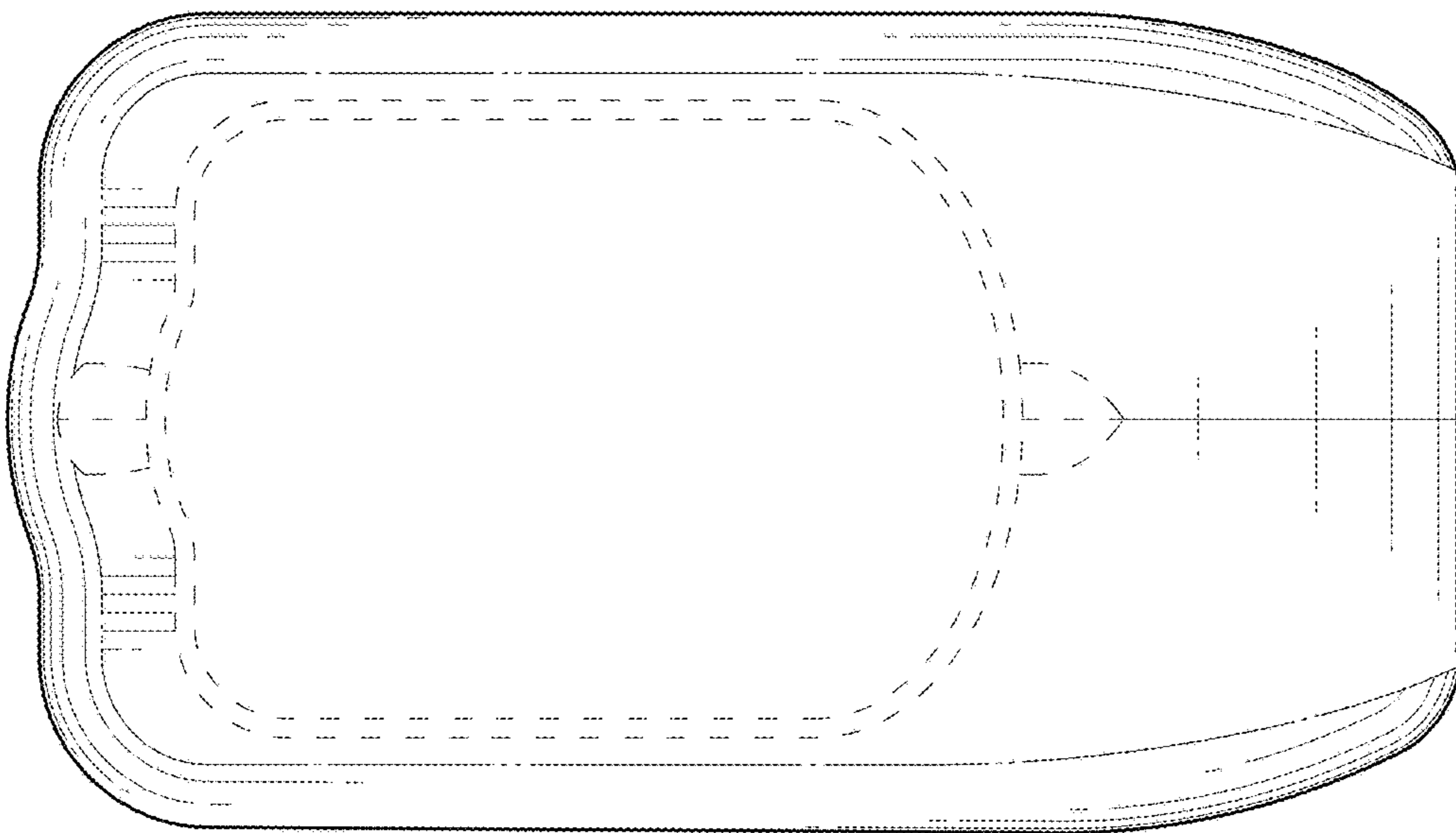


FIG. 5

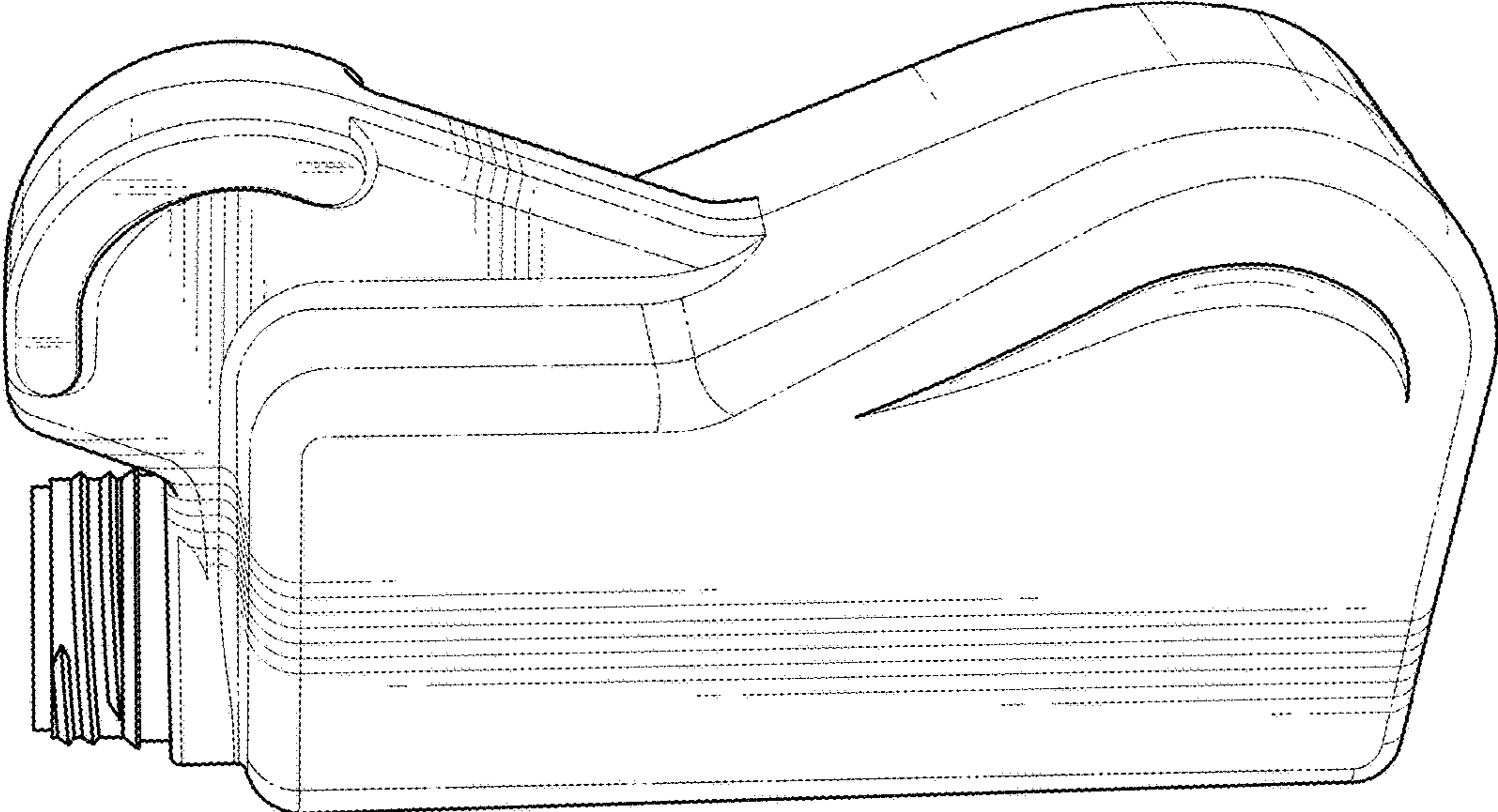


FIG. 7

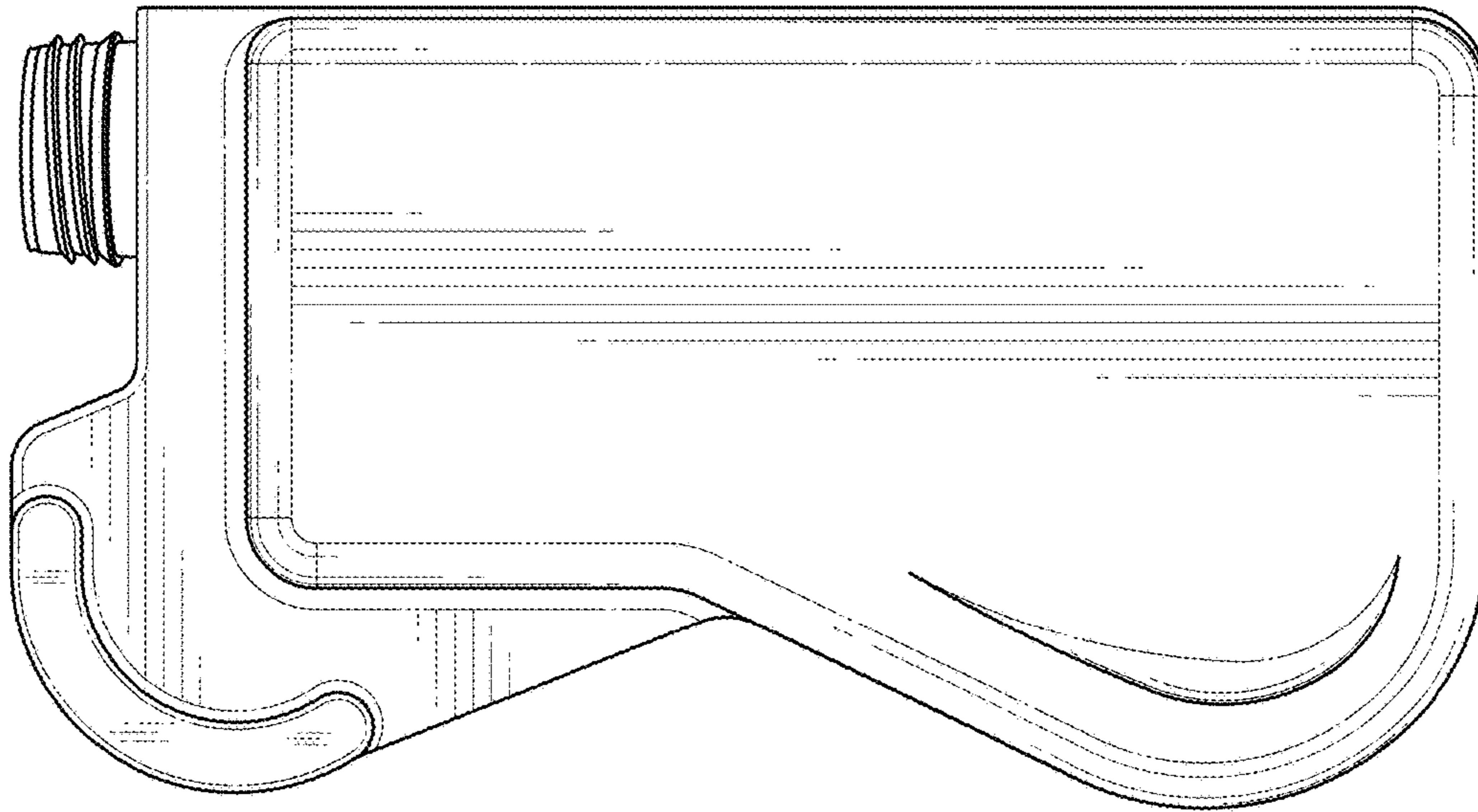


FIG. 9

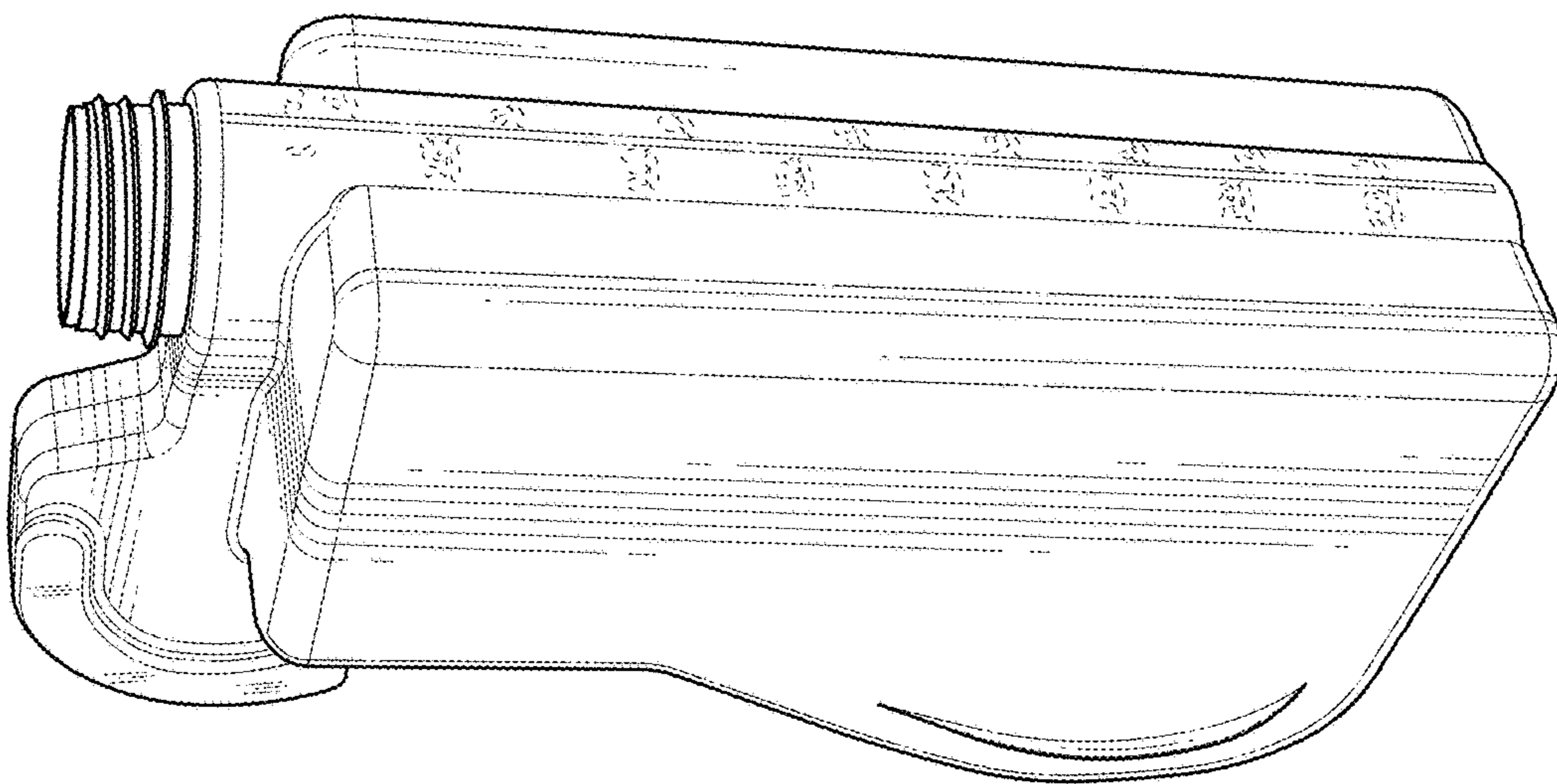


FIG. 8

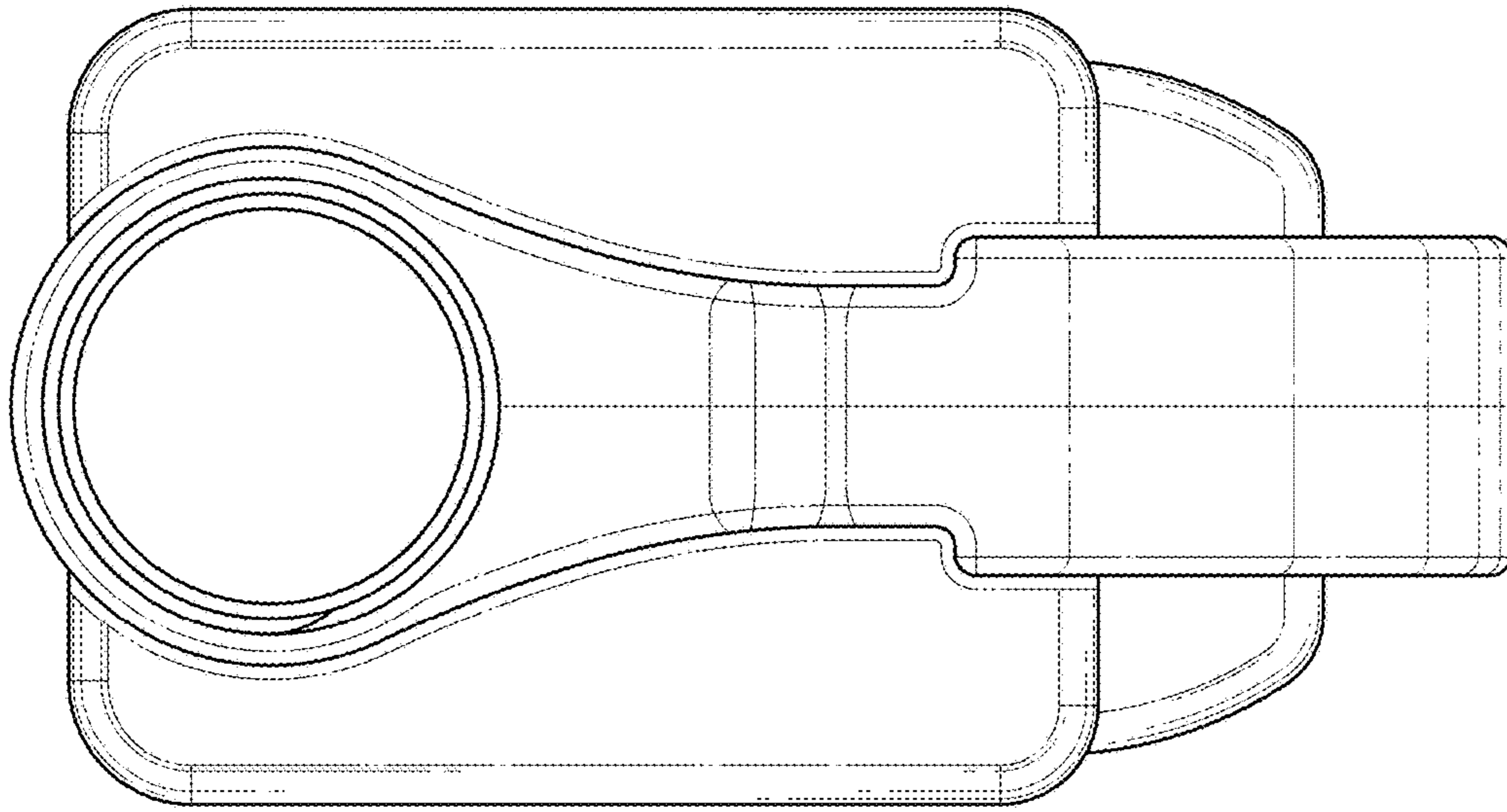


FIG. 11

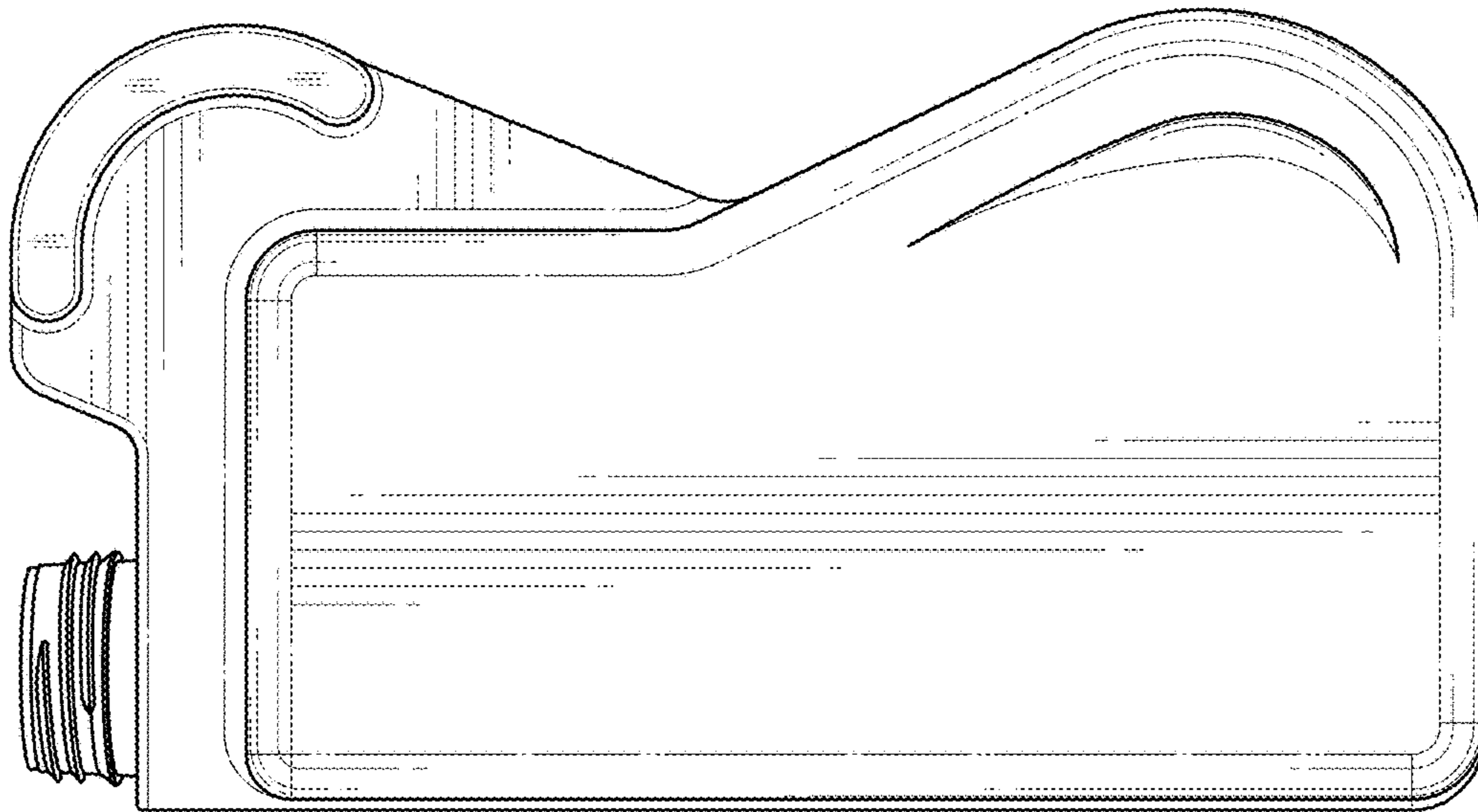


FIG. 10



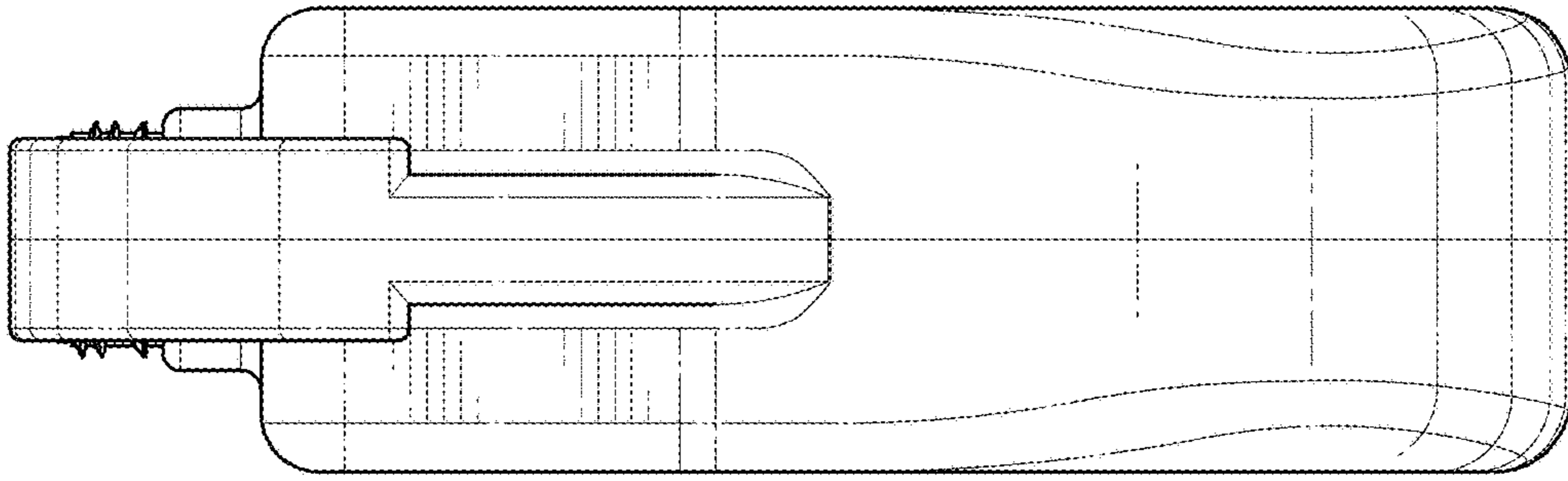


FIG. 13

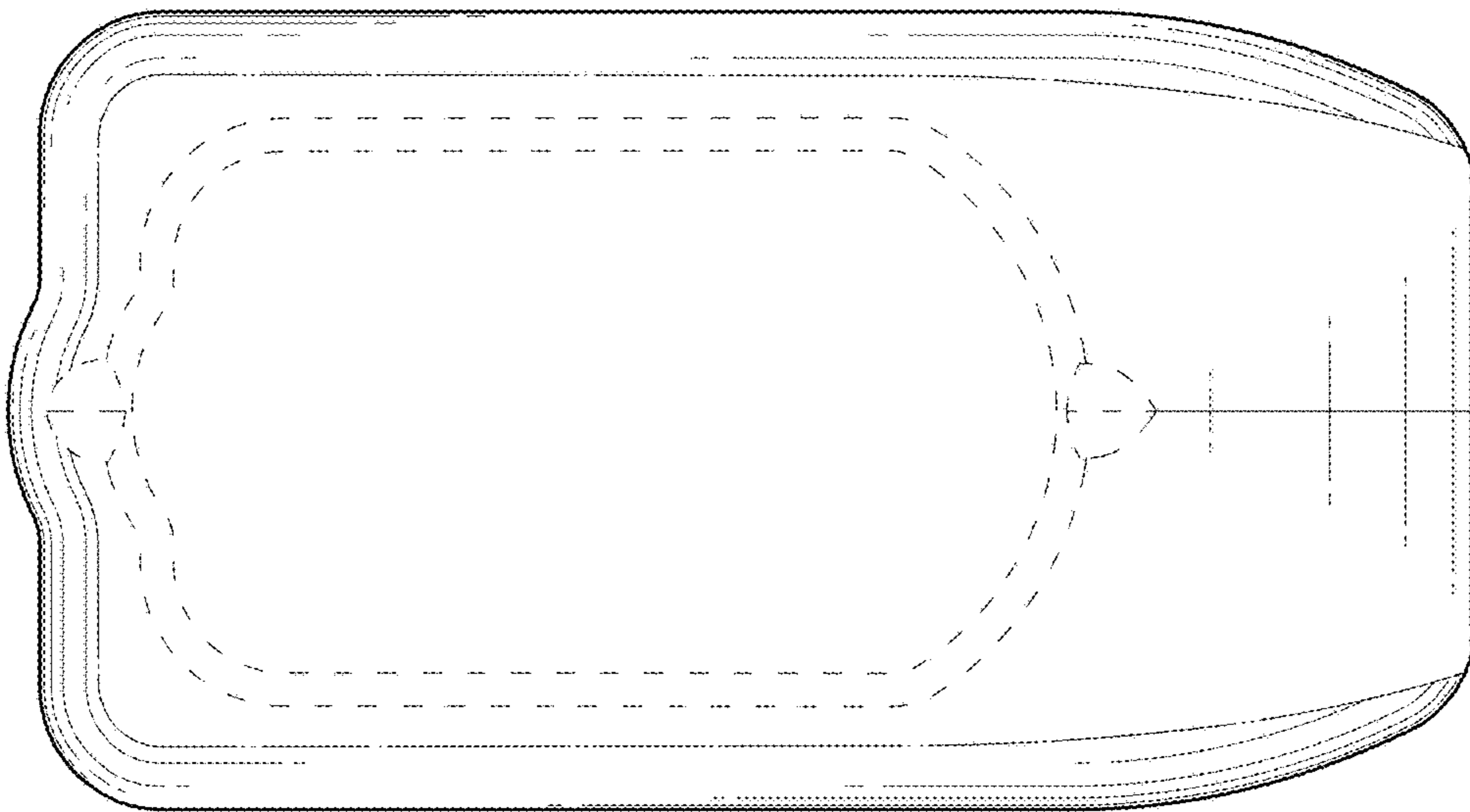


FIG. 12

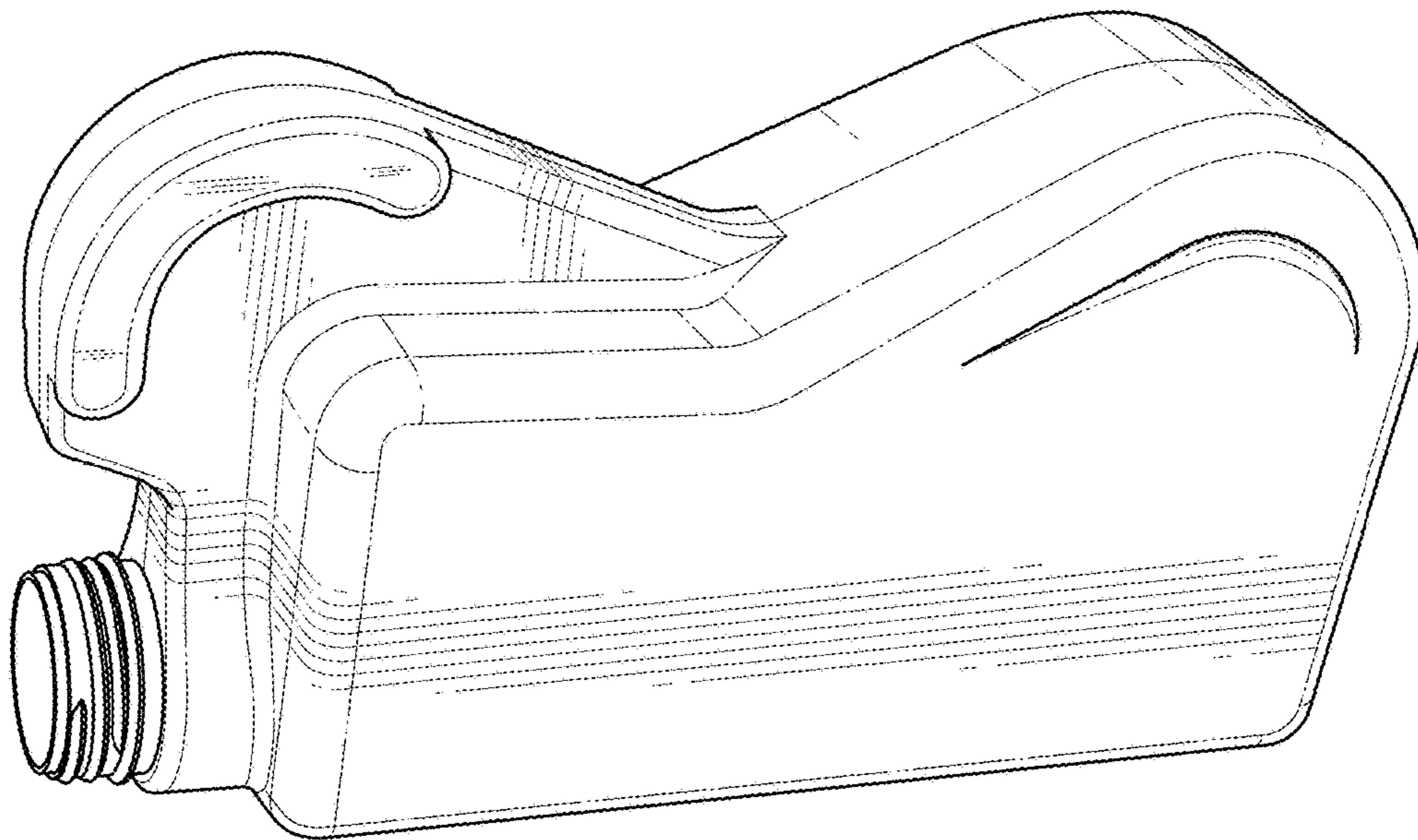


FIG. 14