



US00D820091S

(12) **United States Design Patent**
Phillips et al.

(10) **Patent No.:** **US D820,091 S**
(45) **Date of Patent:** **** Jun. 12, 2018**

(54) **CONTAINER**
(71) Applicant: **The Gillette Company**, Boston, MA (US)
(72) Inventors: **Amy Dawson Phillips**, Cincinnati, OH (US); **Daniel Jerome Sims**, Brookline, MA (US)
(73) Assignee: **The Gillette Company LLC**, Boston, MA (US)
(**) Term: **15 Years**
(21) Appl. No.: **29/536,586**

D412,087 S * 7/1999 Spencer D7/510
6,119,888 A * 9/2000 Goto A47J 41/0083
215/13.1
D456,265 S * 4/2002 Spear D9/502
6,401,964 B1 * 6/2002 Goto A47J 41/0083
215/12.1
D470,770 S * 2/2003 Machado D9/500
D473,469 S * 4/2003 Claessen D9/537
D540,625 S * 4/2007 Sandberg D7/608
D556,576 S * 12/2007 Webb D9/500
D605,517 S * 12/2009 Caldwell D9/500
D630,062 S * 1/2011 Carreno D7/608
D677,570 S * 3/2013 Cueto D9/504
D687,301 S * 8/2013 Topinka D9/500
D697,413 S * 1/2014 Jenkins D9/500
D698,650 S * 2/2014 Marchant D9/503

* cited by examiner

(22) Filed: **Aug. 18, 2015**
(51) **LOC (11) Cl.** **09-01**
(52) **U.S. Cl.**
USPC **D9/503; D9/550**
(58) **Field of Classification Search**
USPC D9/434-435, 444-445, 447-448, 454,
D9/500, 502-504, 516, 530, 537, 539,
D9/550, 558, 682, 686, 688, 690, 715,
D9/719, 772, 776; D7/509-511, 608;
D3/202; D24/197
CPC B65D 1/00; B65D 1/02; B65D 1/0223;
B65D 23/00; B65D 81/00; B65D
2501/00; B65D 2501/0009
See application file for complete search history.

Primary Examiner — Dana L Meyrow

(74) *Attorney, Agent, or Firm* — Ronald T. Sia; Kevin C. Johnson; Steven W. Miller

(56) **References Cited**

U.S. PATENT DOCUMENTS

D87,287 S * 6/1932 Clark D9/500
D130,605 S * 12/1941 Steuer D9/500
D202,003 S * 8/1965 Douglas D9/669
D212,322 S * 10/1968 Koenigsberg D9/551
D398,236 S * 9/1998 Huang D9/502

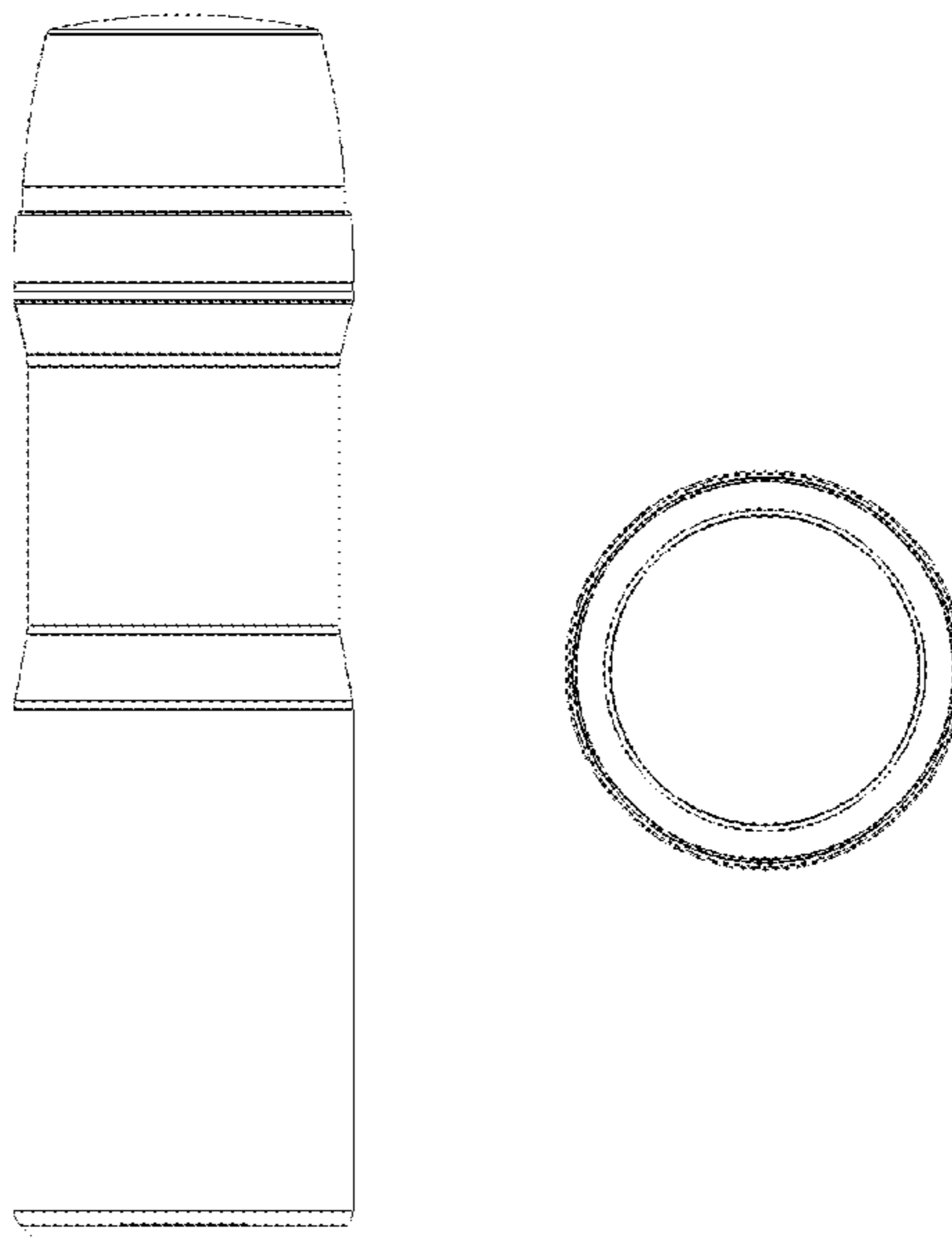
(57) **CLAIM**

The ornamental design for a container, as shown and described.

DESCRIPTION

FIG. 1 is a perspective view of a container showing the new design;
FIG. 2 is a front view thereof;
FIG. 3 is a back view thereof;
FIG. 4 is a right view thereof;
FIG. 5 is a left view thereof;
FIG. 6 is a top view thereof; and,
FIG. 7 is a bottom view thereof.
The broken lines in the drawings illustrate the portions of the container that form no part of the claim.

1 Claim, 4 Drawing Sheets



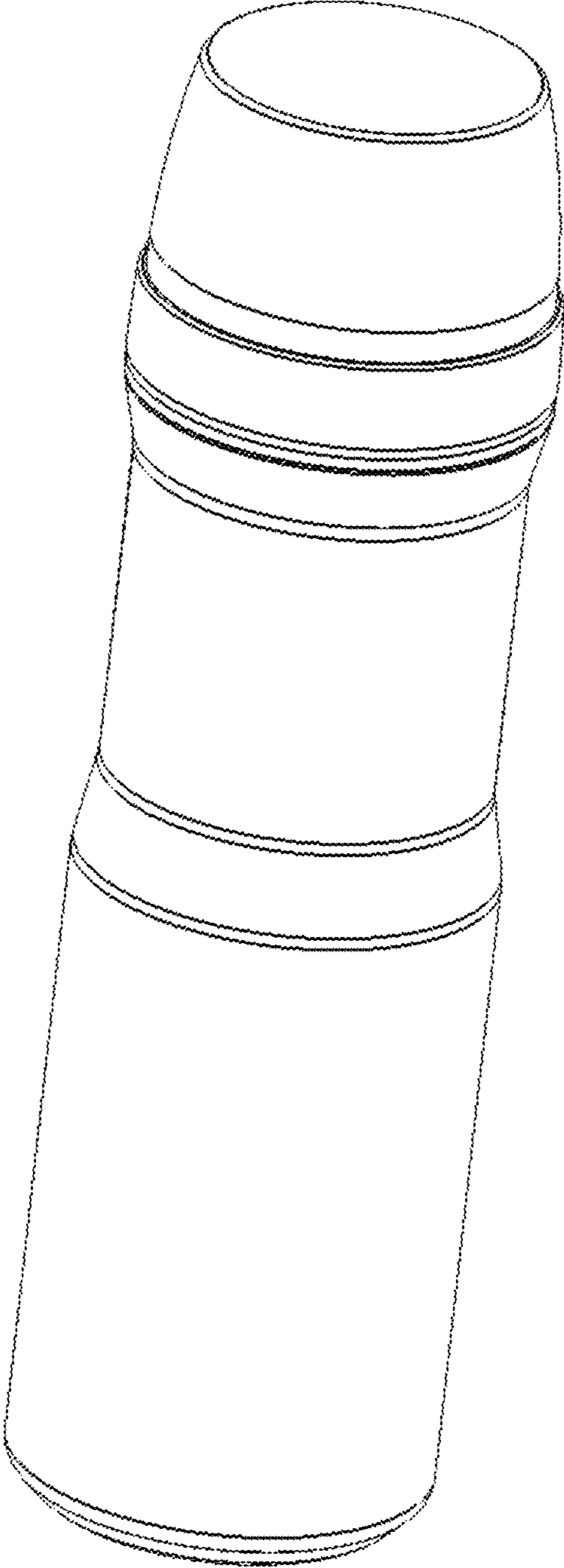


FIG. 1

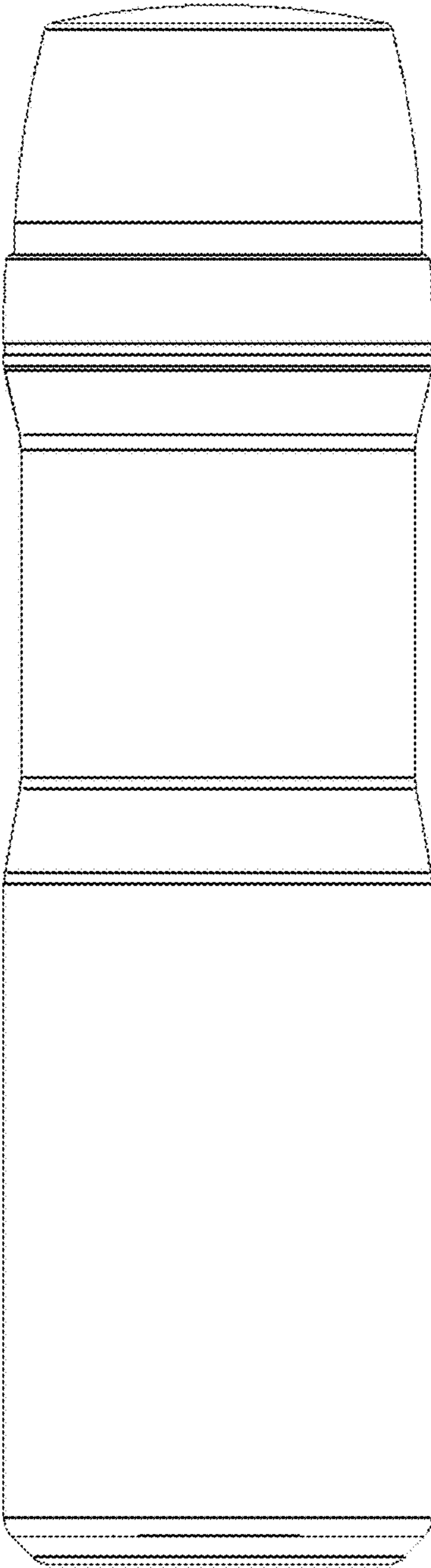


FIG. 2

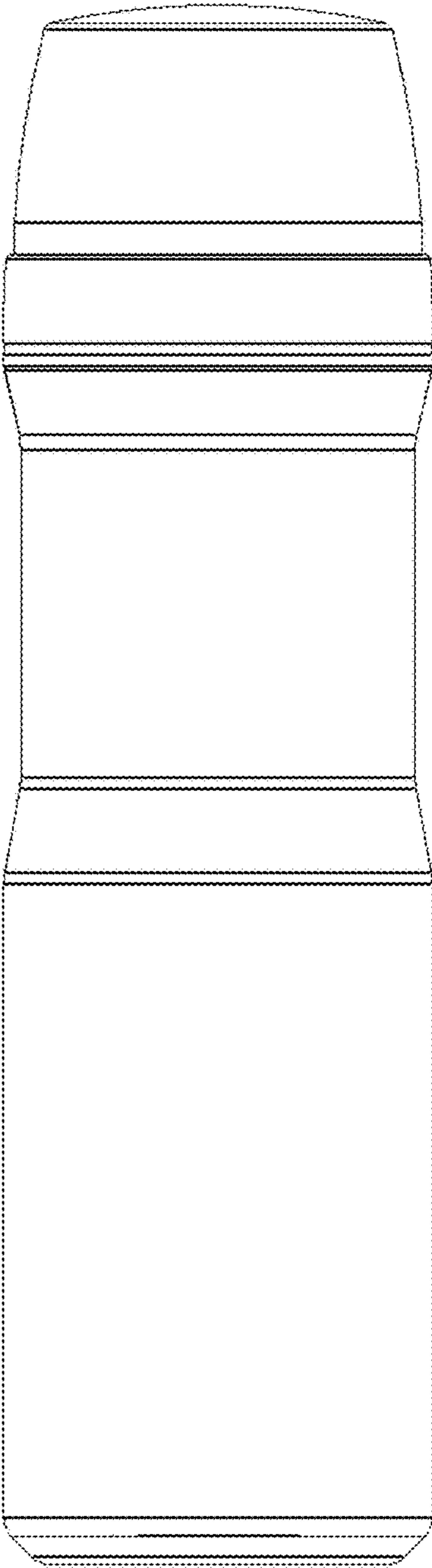


FIG. 3

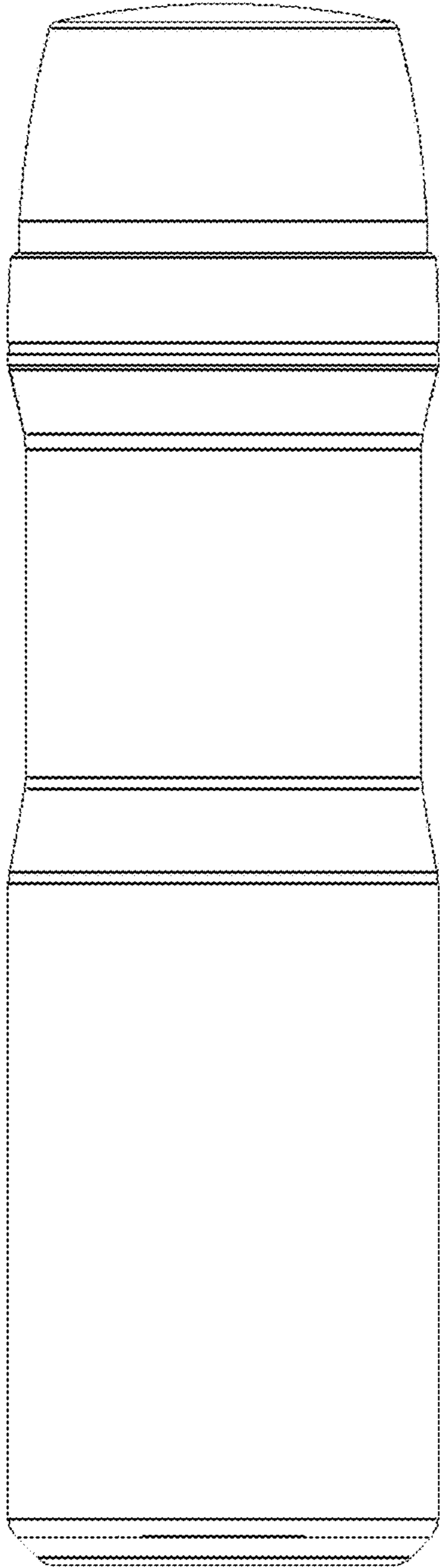


FIG. 4

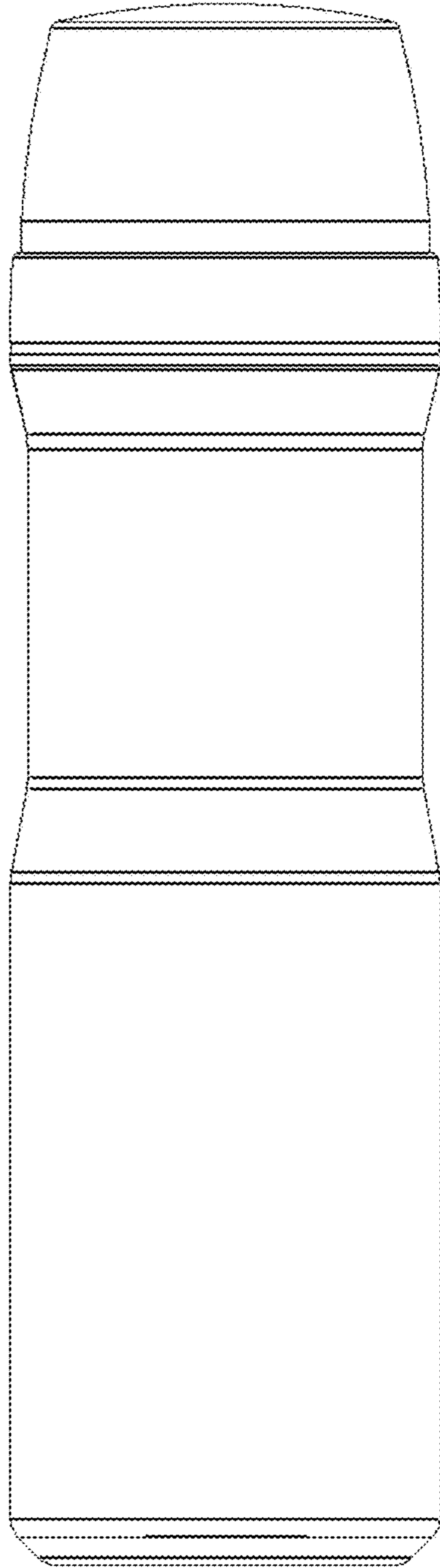


FIG. 5

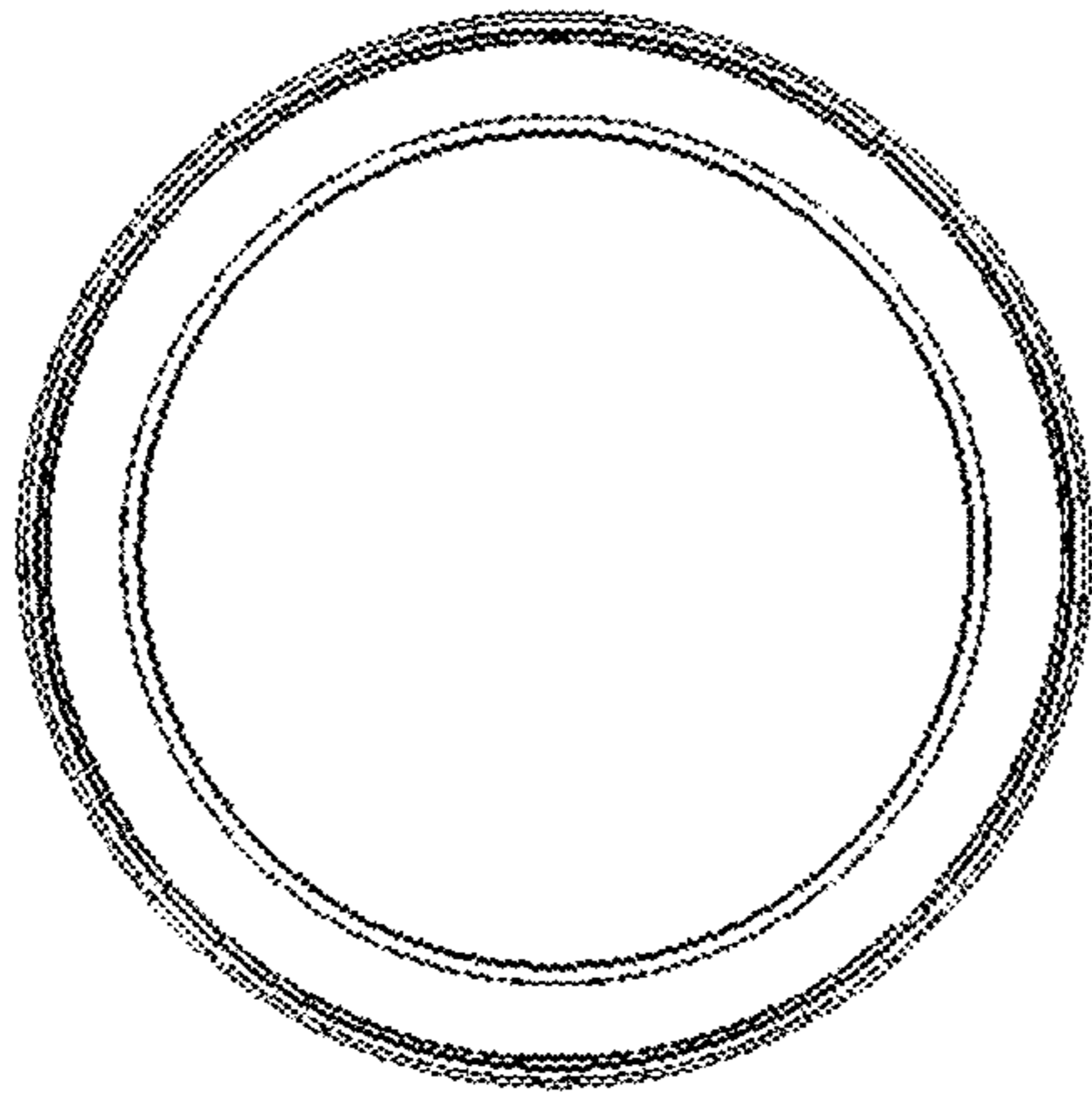


FIG. 6

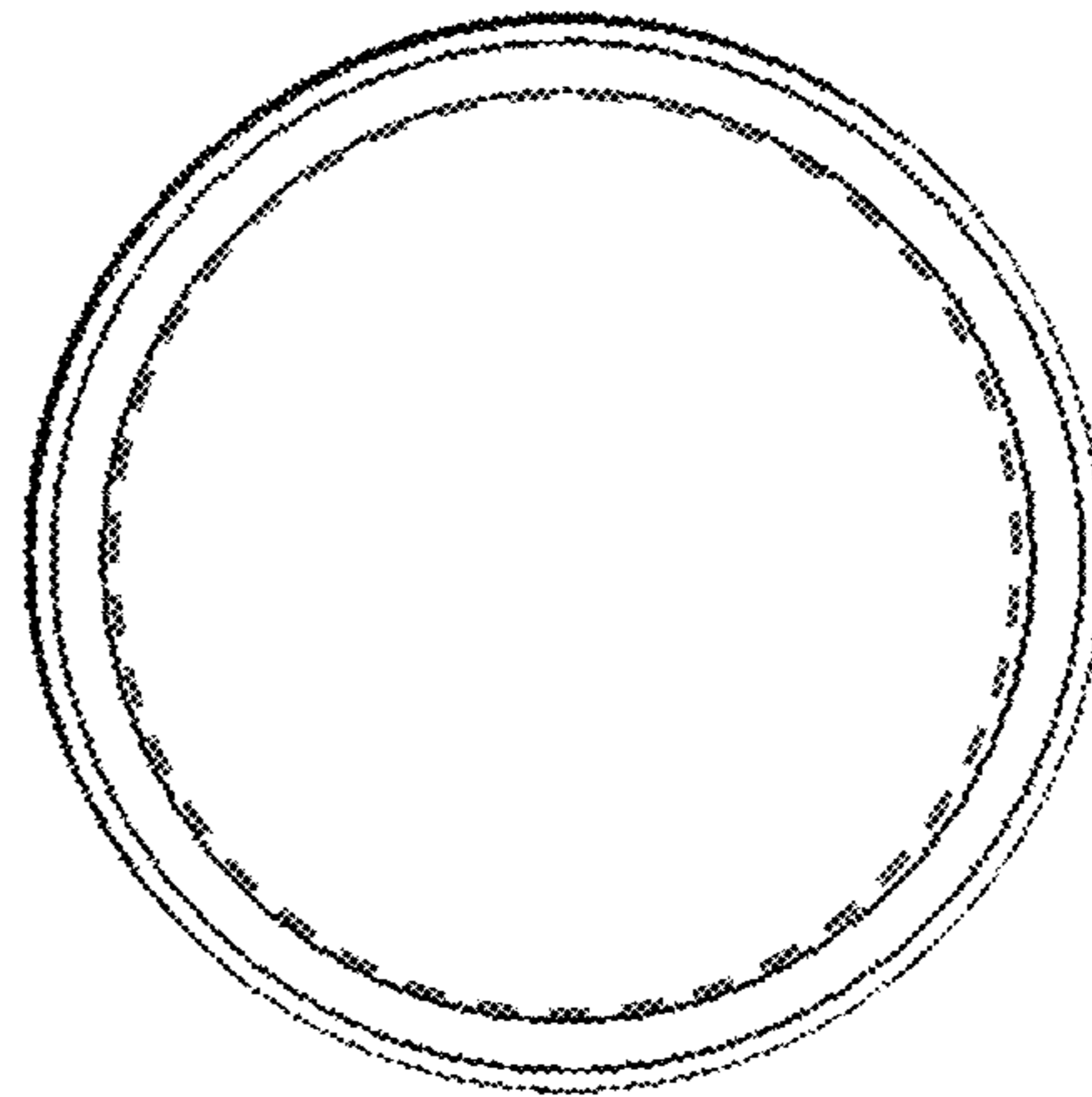


FIG. 7