



US00D820087S

(12) **United States Design Patent**
Kelley

(10) **Patent No.:** **US D820,087 S**

(45) **Date of Patent:** **** Jun. 12, 2018**

- (54) **DUNNAGE ACCESSORY**
- (71) Applicant: **Baillie Lumber Co., L.P.**, Hamburg, NY (US)
- (72) Inventor: **Jason Kelley**, Eden, NY (US)
- (73) Assignee: **BAILLIE LUMBER CO., L.P.**, Hamburg, NY (US)
- (**) Term: **15 Years**
- (21) Appl. No.: **29/593,392**
- (22) Filed: **Feb. 8, 2017**
- (51) **LOC (11) Cl.** **09-07**
- (52) **U.S. Cl.**
USPC **D9/456**
- (58) **Field of Classification Search**
USPC D8/395, 382; 206/592, 523, 521, 499, 206/335, 175; D12/223; 700/228; 410/143, 144; D25/119, 121, 122, 125, D25/28, 35; D9/708, 446, 456, 434; 211/183, 59.4; 248/49
CPC B65D 90/12; B65D 19/385; B65D 19/38; B65D 81/053; B60P 7/16
See application file for complete search history.

- 5,326,204 A * 7/1994 Carlson A47B 96/1466 211/183
- D563,787 S * 3/2008 Harvey D9/456
- D763,066 S * 8/2016 Sugimoto D8/382
- D767,980 S * 10/2016 Bilge D8/382
- D767,981 S * 10/2016 Bilge D8/382
- D798,154 S * 9/2017 D'Anglade D9/456
- 2002/0015626 A1* 2/2002 DeLong B65G 1/02 410/143
- 2007/0039909 A1* 2/2007 DeMent B60P 7/12 211/59.4

* cited by examiner

Primary Examiner — Cynthia Ramirez

Assistant Examiner — Gino Colan

(74) *Attorney, Agent, or Firm* — Hodgson Russ LLP

(57) **CLAIM**

The ornamental design for a dunnage accessory, as shown and described.

DESCRIPTION

FIG. 1 is a perspective view of a dunnage accessory showing my new design;

FIG. 2 is a front elevation view thereof;

FIG. 3 is a rear elevation view thereof;

FIG. 4 is a right side elevation view thereof;

FIG. 5 is a left side elevation view thereof;

FIG. 6 is a top plan view thereof;

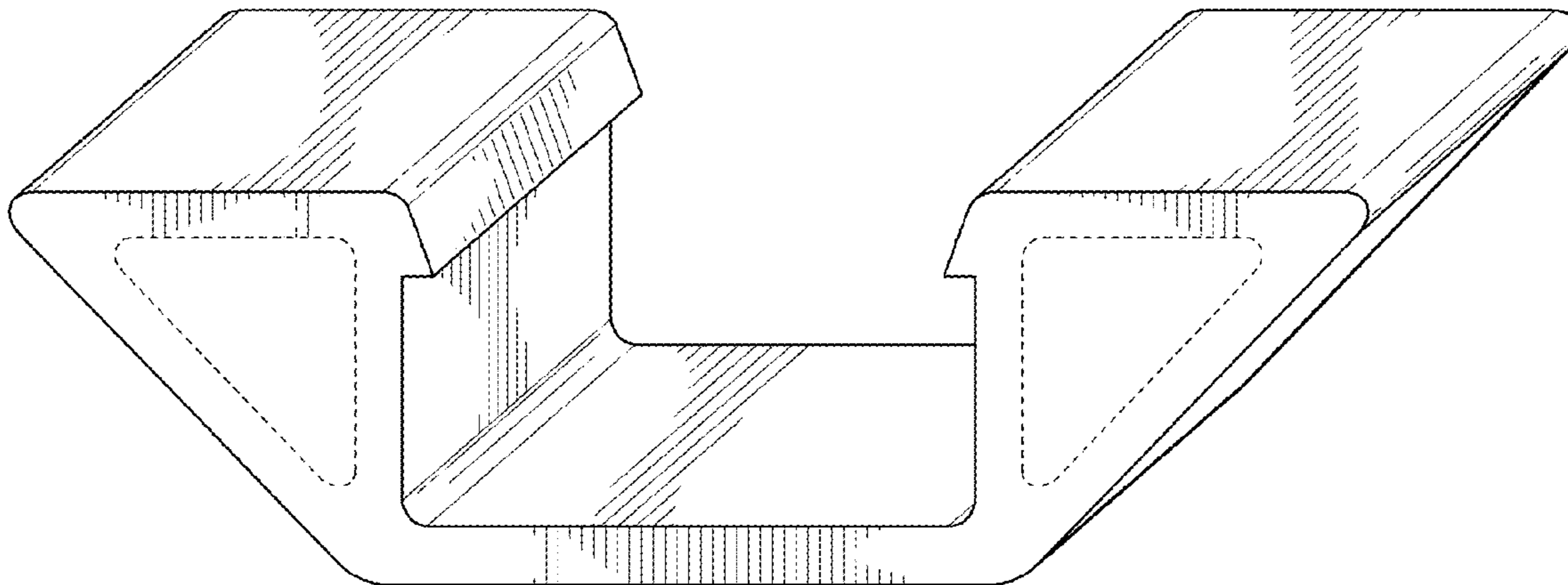
FIG. 7 is a bottom plan view thereof; and,

FIG. 8 is a front elevation view thereof, showing a portion of dunnage received therein.

The broken line shown in the figures are for the purpose of illustrating portions of the dunnage accessory that form no part of the claimed design. The broken lines showing a portion of dunnage in FIG. 8 are for the purpose of illustrating environment and form no part of the claimed design.

1 Claim, 8 Drawing Sheets

- (56) **References Cited**
U.S. PATENT DOCUMENTS
4,202,090 A * 5/1980 Cook B05B 13/0405 248/49
D277,934 S * 3/1985 Beckrot D8/382
D328,034 S * 7/1992 Creaden D9/434
D332,571 S * 1/1993 Creaden D9/434
5,178,279 A * 1/1993 Carroll B65D 5/5088 206/335



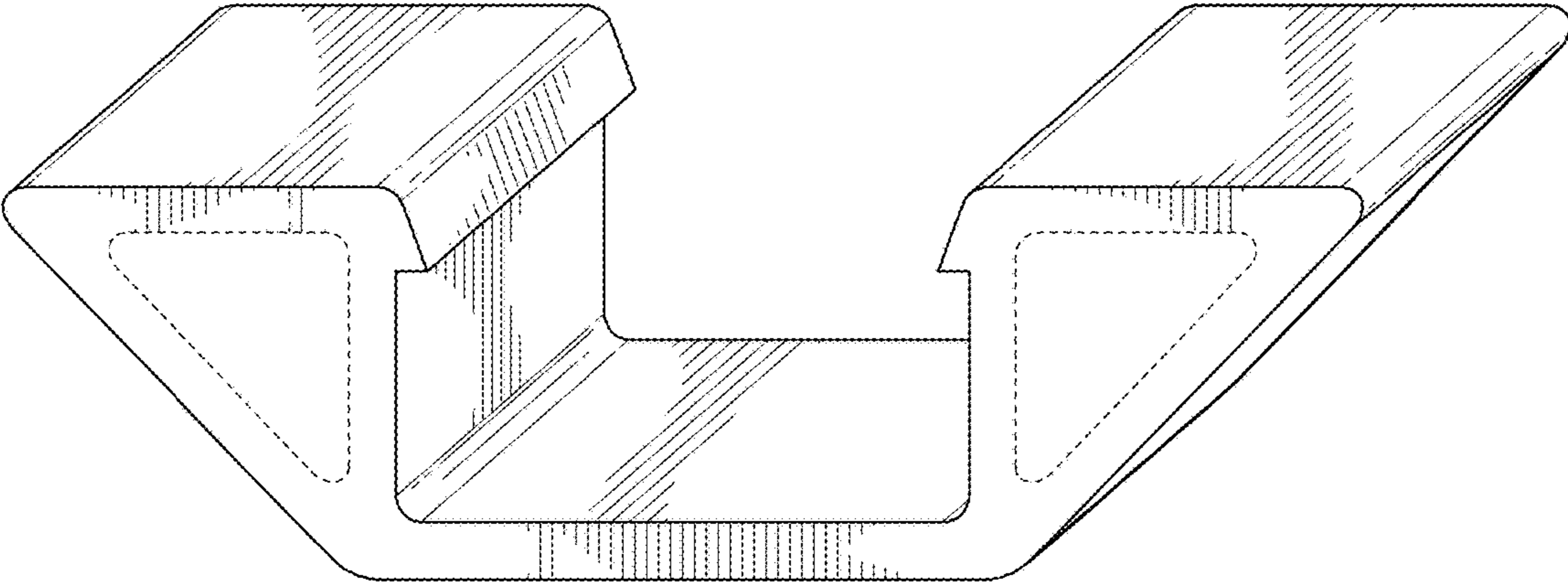


FIG. 1

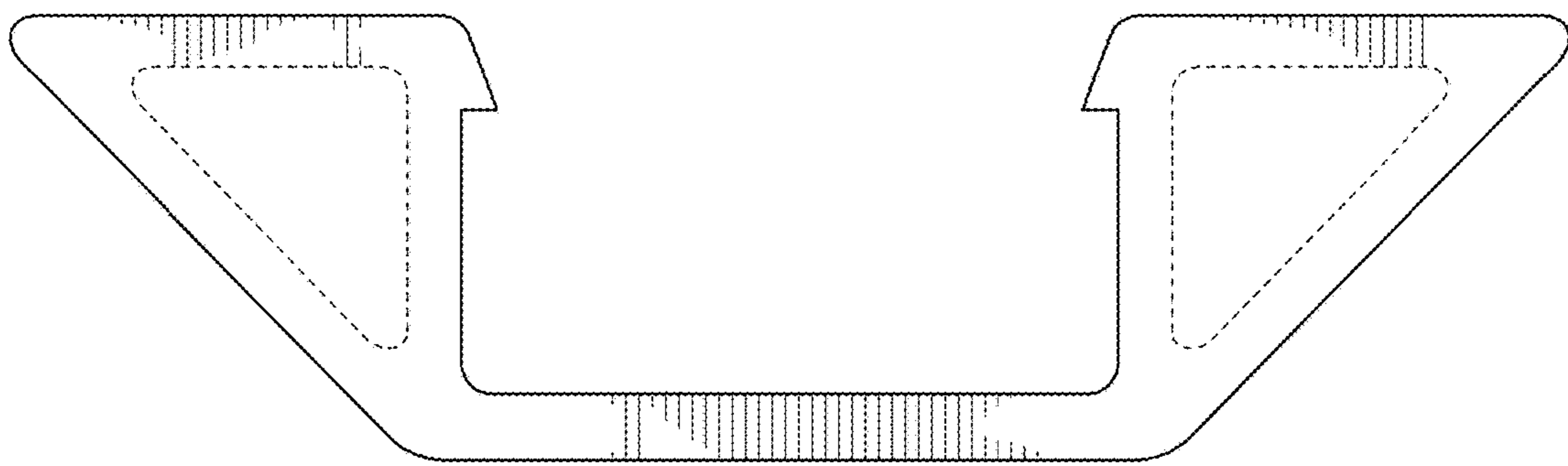


FIG. 2

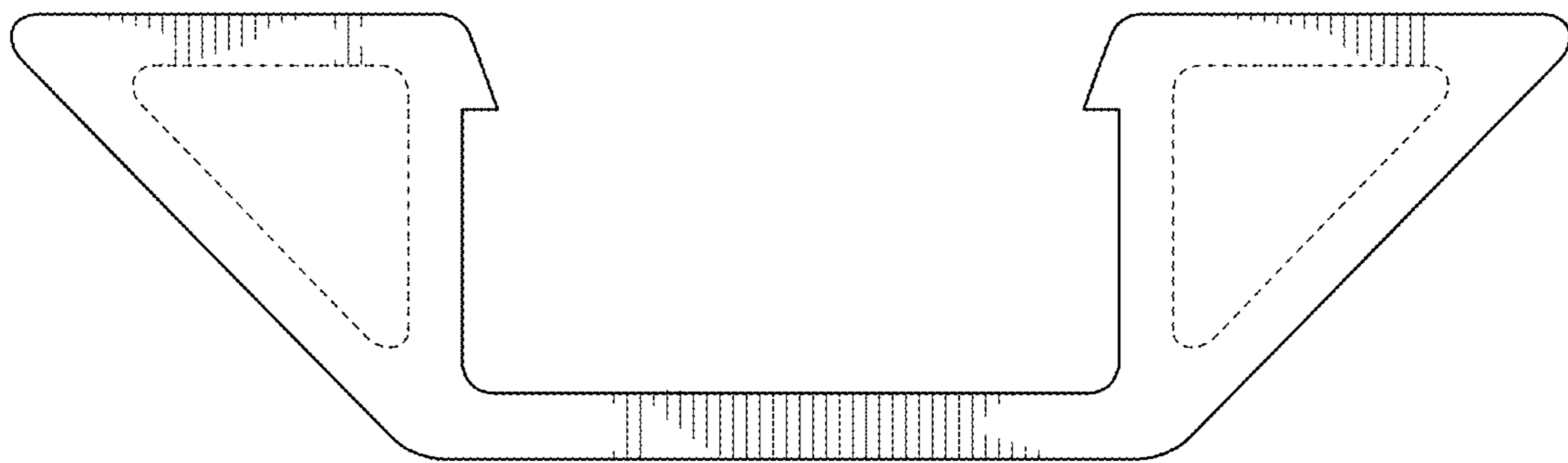


FIG. 3

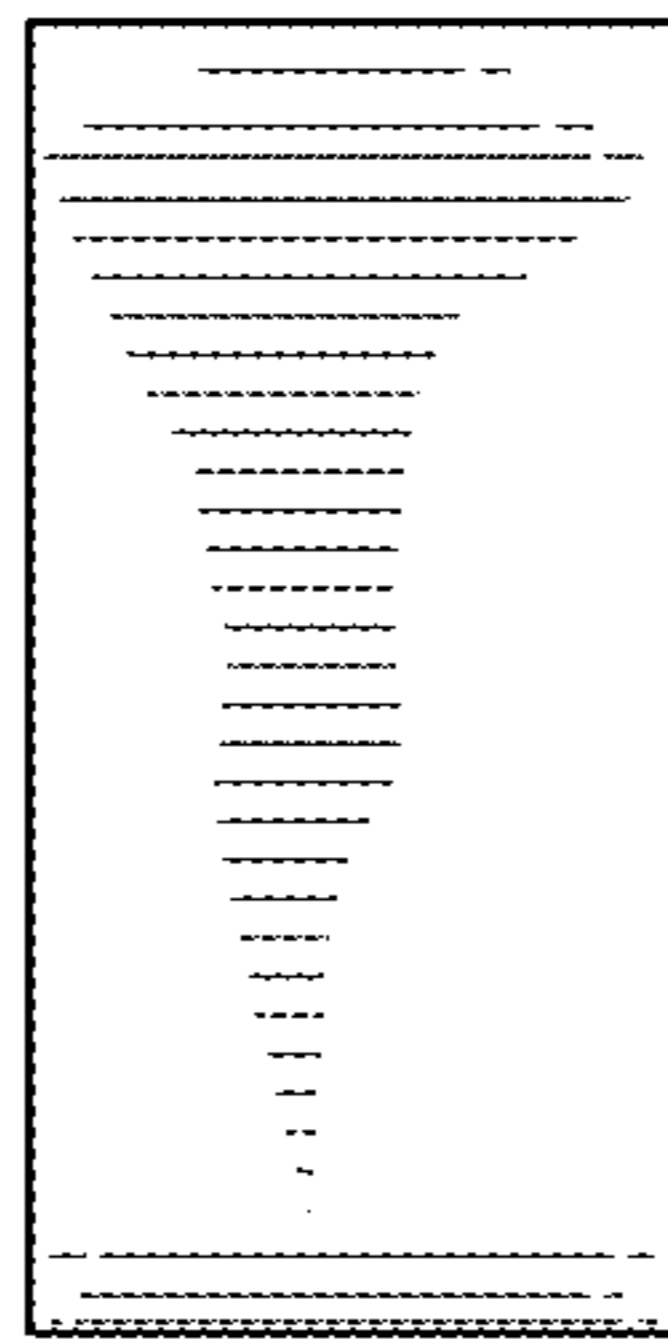


FIG. 4

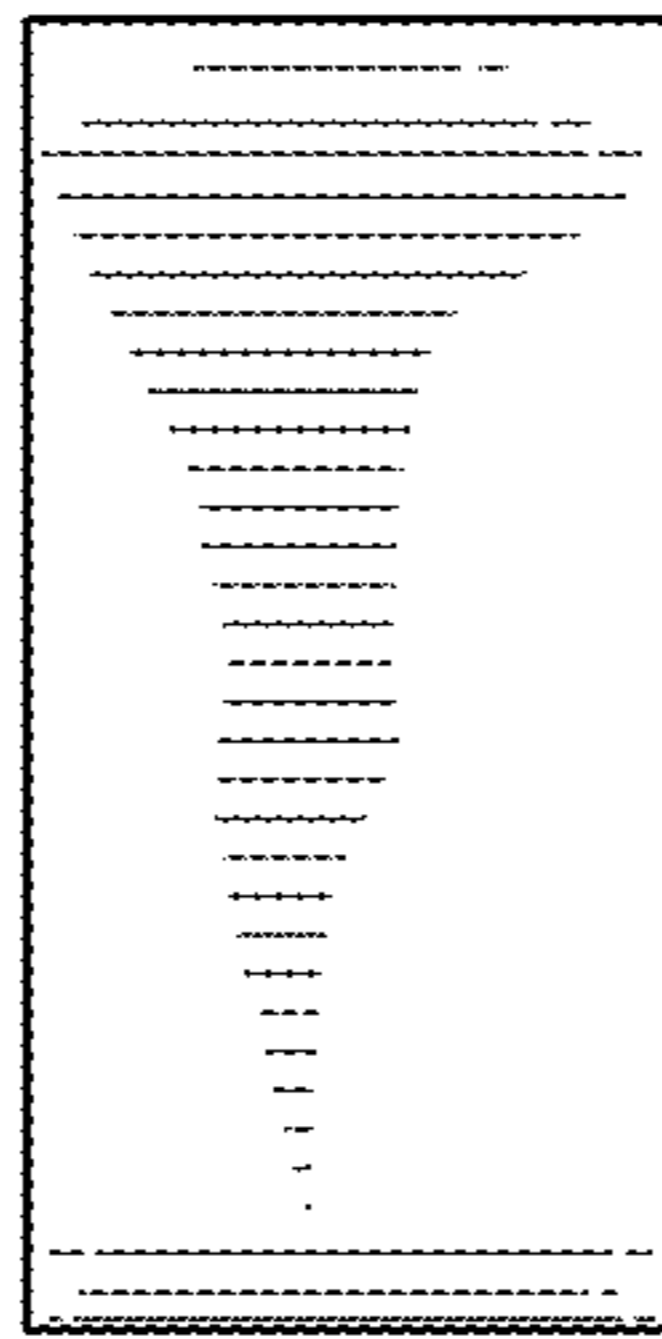


FIG. 5

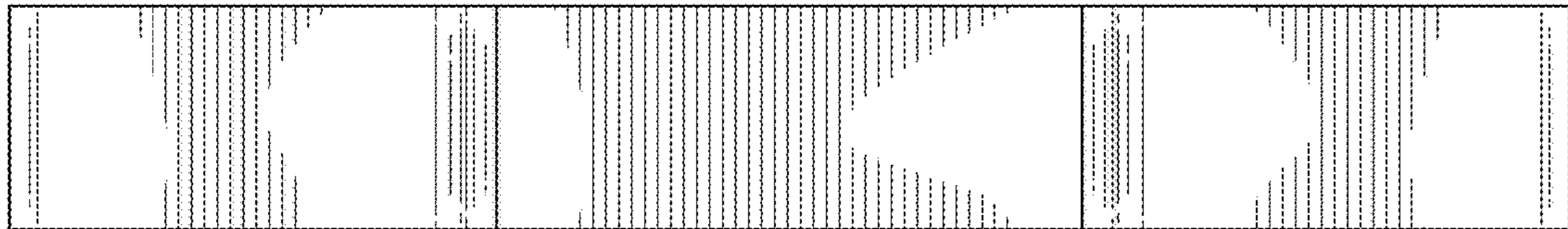


FIG. 6

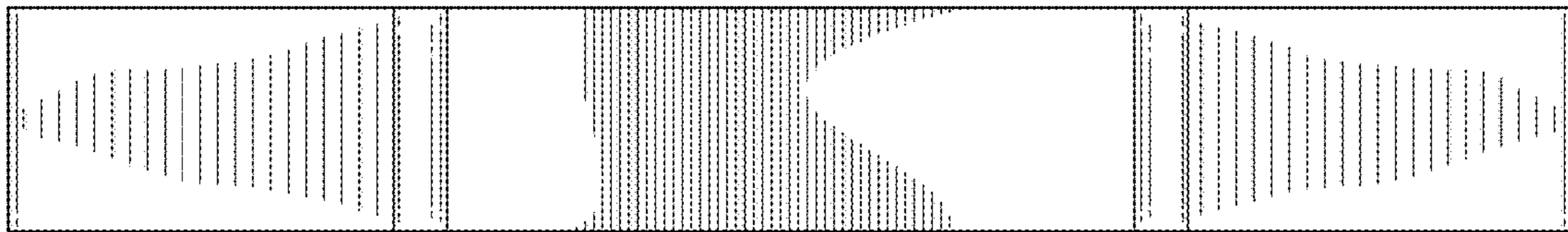


FIG. 7

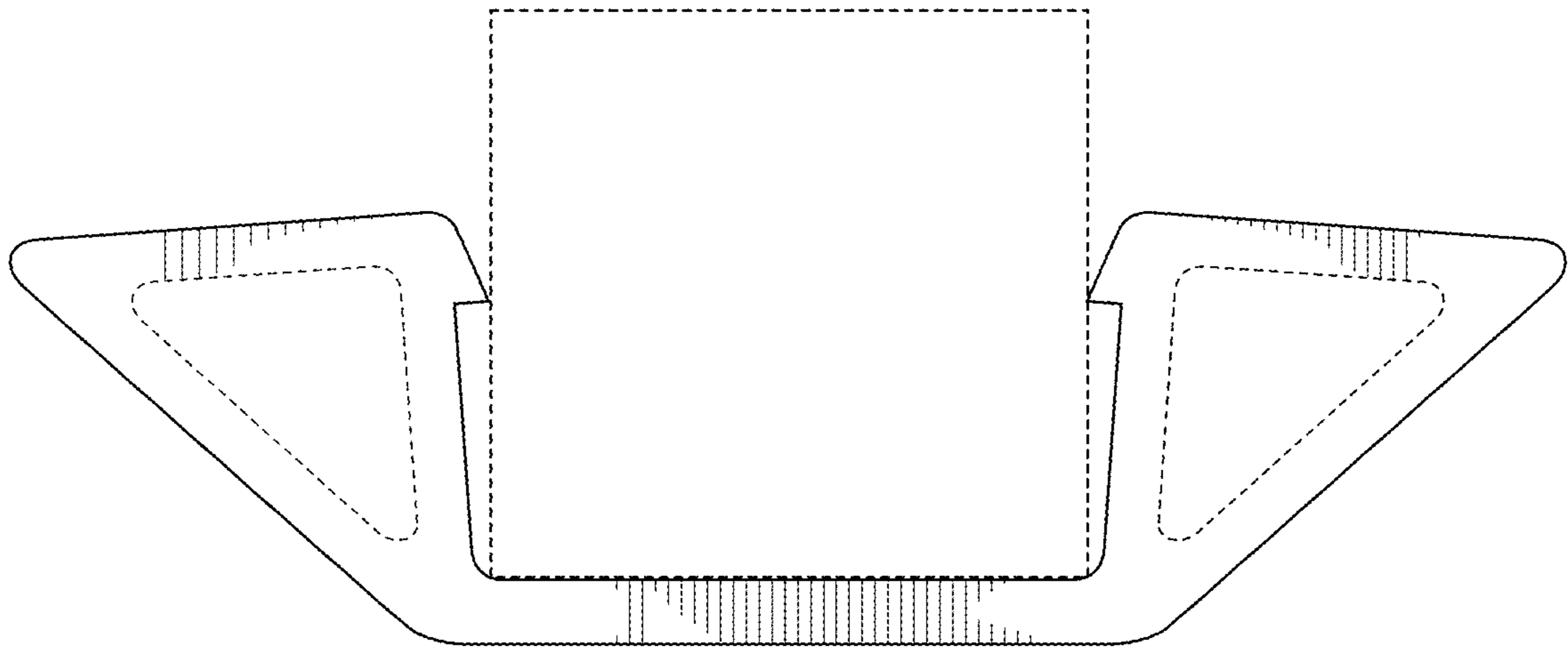


FIG. 8