



US00D820086S

(12) **United States Design Patent**
Lynd et al.

(10) **Patent No.:** **US D820,086 S**
(45) **Date of Patent:** **** Jun. 12, 2018**

(54) **CONTAINER COVER**

(71) Applicant: **Partners in Packaging, LLC**,
Lancaster, OH (US)

(72) Inventors: **L. Grant Lynd**, Lancaster, OH (US);
Robert Heath, Lancaster, OH (US)

(73) Assignee: **Partners in Packaging, LLC**,
Lancaster, OH (US)

(**) Term: **15 Years**

(21) Appl. No.: **29/593,858**

(22) Filed: **Feb. 13, 2017**

(51) **LOC (11) Cl.** **09-07**

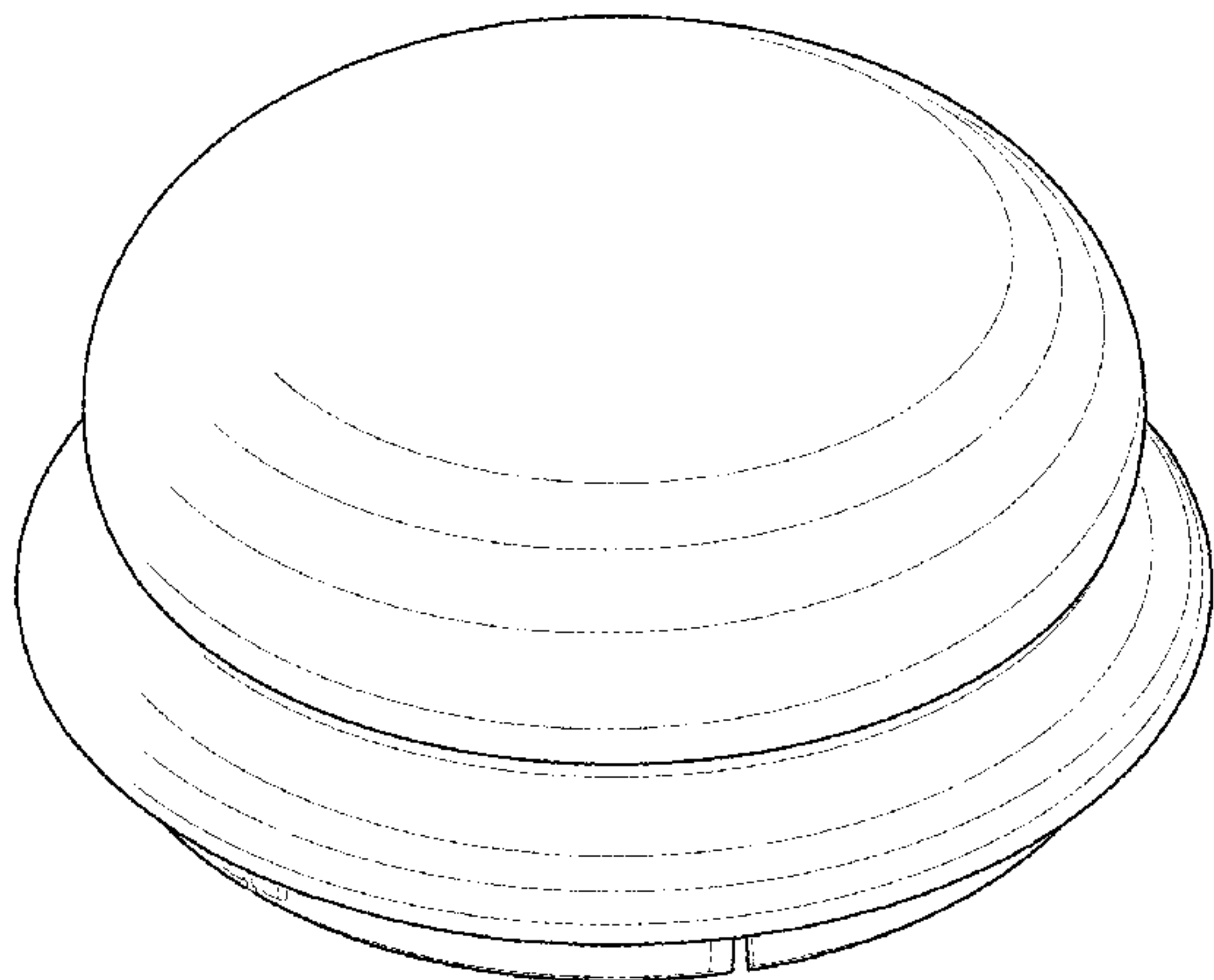
(52) **U.S. Cl.**
USPC **D9/454**

(58) **Field of Classification Search**

USPC D3/27, 29, 202, 318; D7/300, 300.1,
D7/313, 314, 316, 387, 393, 394, 395,
D7/396.1, 396.2, 396, 397, 398, 401.1,
D7/509, 510, 511, 523, 525, 526, 527,
D7/528, 538, 536, 602, 619.1, 900;
D9/414-435, 447, 452-457, 499, 682,
D9/685, 686, 688, 690, 723, 724, 763,
D9/772; D19/34.1, 162, 163, 164, 165,
D19/192, 194; D24/121, 127, 224;
D28/76, 78, 82; D6/349, 355; D8/2, 80,
D8/88, 94, 302, 303, 311, 315, 401;
D23/260

CPC B65D 39/00; B65D 39/0047; B65D
39/0005; B65D 39/02; B65D 39/08;
B65D 39/14; B65D 39/19; B65D 25/00;
B65D 25/40; B65D 25/42; B65D 25/46;
B65D 25/48; B65D 25/77; B65D 41/00;
B65D 41/16; B65D 41/17; B65D 41/26;
B65D 41/32; B65D 41/48; B65D 41/485;
B65D 41/045; B65D 41/0483; B65D
41/0421; B65D 41/0485; B65D 41/3428;
B65D 41/0492; B65D 41/0471; B65D
41/0428;

(Continued)



(56) **References Cited**

U.S. PATENT DOCUMENTS

D23,144 S 12/1893 Johnson
D42,042 S 12/1911 Edlund
(Continued)

FOREIGN PATENT DOCUMENTS

CA 114304 10/2007
JP D1463249 2/2013
KR 300609073.0001 8/2011

OTHER PUBLICATIONS

Silicone Bowl Cover: Announced May 14, 2017 [online]. Site visited Nov. 21, 2017. Available from Internet URL: https://www.dhgate.com/product/silicone-suction-seal-covers-for-bowls-mugs/373297827.html#ctabBox.*

(Continued)

Primary Examiner — Jennifer Rivard
Assistant Examiner — Catherine S Posthauer
(74) *Attorney, Agent, or Firm* — Standley Law Group LLP

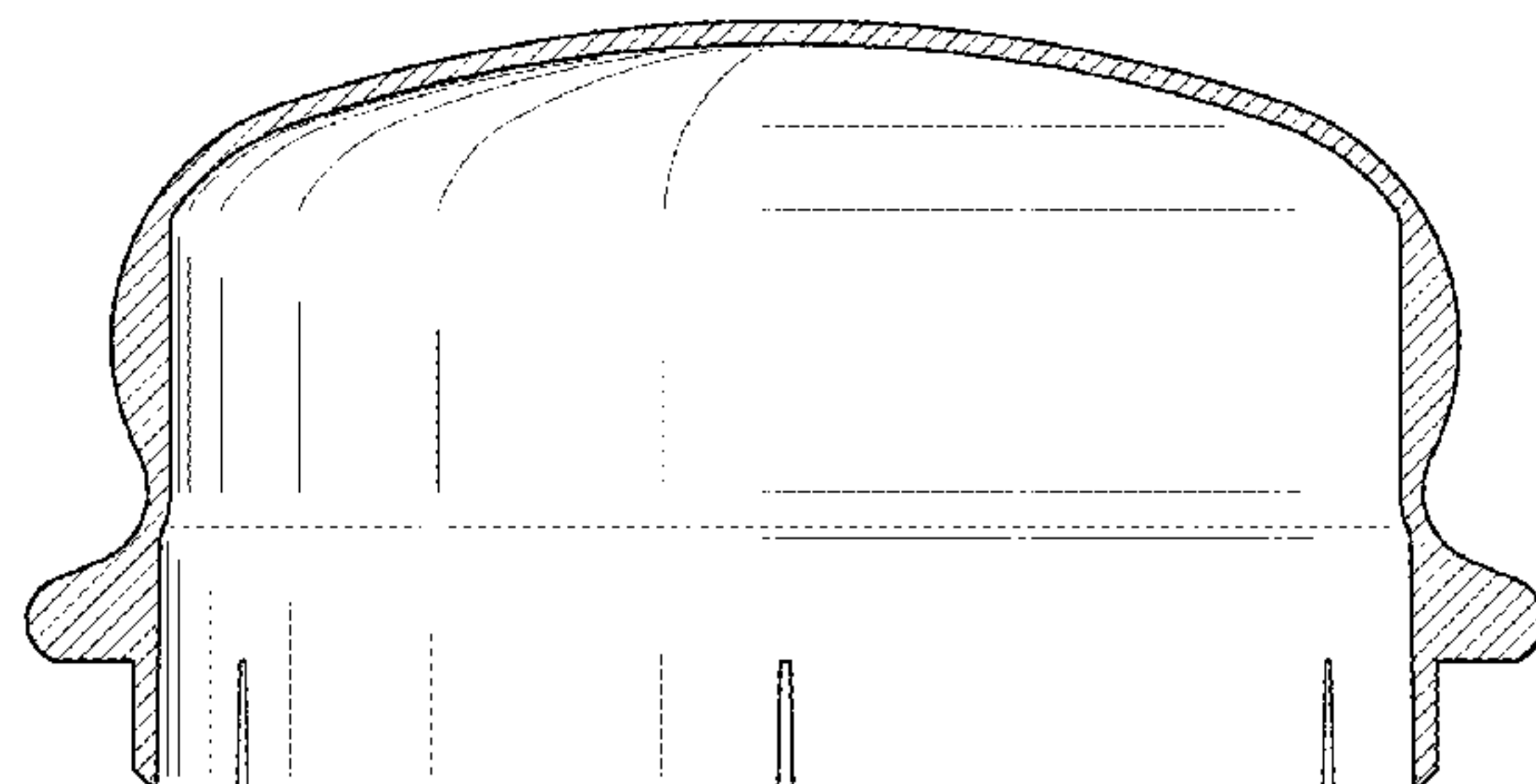
(57) **CLAIM**

The ornamental design for a container cover, as shown and described.

DESCRIPTION

FIG. 1 is a top perspective view of the container cover; FIG. 2 is a bottom perspective view of the FIG. 1 cover; FIG. 3 is a front view of the FIG. 1 cover; FIG. 4 is a back view of the FIG. 1 cover; FIG. 5 is a top elevation view of the FIG. 1 cover; FIG. 6 is a bottom elevation view of the FIG. 1 cover; and, FIG. 7 is a cross section view of the FIG. 1 cover. The broken lines shown from FIGS. 1, 3, 4, and 6 are shown for the purpose of illustrating parts of the article that form no part of the claim.

1 Claim, 4 Drawing Sheets



(58) **Field of Classification Search**

CPC B65D 41/0414; B65D 41/026; B65D 41/023; B65D 41/003; B65D 41/02; B65D 43/02; B65D 43/14; B65D 43/16; B65D 43/26; B65D 43/0202; B65D 51/02; B65D 51/04; B65D 51/18; B65D 51/28; B65D 51/242; B65D 51/2821; B65D 51/2814; B65D 23/08; B65D 83/40; B65D 83/205; B65D 83/206; B65D 83/345; B65D 2255/00; B65D 21/0288; B65D 47/36; B65D 47/148; B65D 47/265; B65D 47/0895; B65D 50/00; B65D 50/041; B65D 53/00; B65D 53/02; B65D 53/04; B65D 2251/0018; B65D 2251/0081; B65D 2251/0026; B65D 2251/009; B65D 1/02; A45D 34/00; B05B 11/3097; A47J 43/27; A47J 36/10; A47J 36/14; A47J 36/06; A47G 19/22; A47G 19/2205; A47G 19/2222; A47G 19/2266; A47G 19/2272; A47G 19/2294; A61J 2205/50

See application file for complete search history.

(56) **References Cited**

U.S. PATENT DOCUMENTS

D86,816 S 8/1931 Von Till
 D172,869 S 8/1954 Du Pree
 3,315,830 A 4/1967 Flynn
 D209,789 S 1/1968 Huston
 D227,749 S 7/1973 Plummer
 D257,930 S 1/1981 Conti
 D268,394 S * 3/1983 MacEwen D9/454
 D292,674 S 11/1987 Morris et al.
 D294,680 S 3/1988 Pappert
 D309,568 S 7/1990 Beton
 D309,690 S 8/1990 Carlson
 D312,778 S 12/1990 Tacconelli
 5,048,705 A 9/1991 Lynd et al.
 D352,896 S * 11/1994 Jones D9/503
 D357,322 S 4/1995 Matthews
 D368,222 S 3/1996 Hoefler
 D374,822 S * 10/1996 Philips D7/392.1
 D387,993 S 12/1997 Workman et al.
 D388,327 S 12/1997 Radosevich
 D403,586 S 1/1999 Bakic
 D405,532 S 2/1999 Melendez
 D411,457 S 7/1999 Ruda et al.
 D414,694 S 10/1999 Richter
 D424,940 S 5/2000 Degnen
 D436,532 S * 1/2001 Richardson D24/104
 D438,977 S 3/2001 Khalaj
 D443,040 S * 5/2001 Fabian D23/249
 D466,015 S 11/2002 Faucon
 D473,729 S * 4/2003 Whitcomb D6/677
 D476,893 S * 7/2003 Pinnavaia D9/435
 D480,633 S 10/2003 Miranda
 D495,599 S 9/2004 Biesecker
 D503,886 S 4/2005 Biesecker
 D509,110 S 9/2005 Vovan

D512,310 S 12/2005 Hite
 D536,614 S 2/2007 Peterson et al.
 D546,670 S * 7/2007 Sainz D9/420
 D563,785 S * 3/2008 Maki D9/454
 D564,879 S 3/2008 Baughman
 D582,781 S 12/2008 Miller
 D597,840 S 8/2009 Biesecker et al.
 D603,704 S 11/2009 Jost et al.
 D607,330 S * 1/2010 Diss D9/428
 D618,547 S * 6/2010 Manning D9/425
 D633,644 S * 3/2011 Sprengers D26/89
 D639,442 S 6/2011 Chandler
 D641,631 S 7/2011 Kawahara et al.
 D645,358 S 9/2011 de Monclin
 D653,948 S 2/2012 Azar
 D658,935 S 5/2012 Luppino et al.
 D660,136 S * 5/2012 Jarowenko D8/374
 D673,858 S 1/2013 Horio
 D688,946 S * 9/2013 Pirincci D9/454
 D689,243 S * 9/2013 Parker D28/82
 D694,463 S * 11/2013 Sieczkowski D26/124
 D717,170 S 11/2014 Tan
 D725,688 S 3/2015 Kile
 D735,033 S 7/2015 Lynd et al.
 D742,339 S * 11/2015 Takagi D13/182
 D748,472 S * 2/2016 Seybel D9/434
 D748,594 S * 2/2016 Takagi D13/182
 D751,393 S 3/2016 Lynd et al.
 D751,399 S 3/2016 Lynd et al.
 D756,222 S * 5/2016 Lopez D23/260
 D759,403 S * 6/2016 Covelli D6/601
 D763,083 S * 8/2016 Seybel D9/454
 D769,120 S * 10/2016 Albuquerque D9/454
 D773,296 S 12/2016 Lynd et al.
 D799,215 S * 10/2017 Pacha D3/318
 D801,176 S * 10/2017 Lynd D9/454

OTHER PUBLICATIONS

Canister with Airtight Lid: Site visited Nov. 21, 2017. Available from Internet URL: <https://guide.alibaba.com/shop/home-fashions-elegant-tea-coffee-and-sugar-glass-storage-canisters-set-with-stainless-steel-jackets-with-airtight-lid-set-of-3-flat-lid-3262326.html>.
 Canister with Airtight Lid: Site visited Nov. 21, 2017. Available from Internet URL: https://guide.alibaba.com/shop/home-fashions-elegant-tea-coffee-and-sugar-glass-storage-canisters-set-with-stainless-steel-jackets-with-airtight-lid-set-of-3-raised-lid_3317622.html.
 Red and Orange Peppers in a Glass Bottle for Decoration Over White Background Isolated, A Lot of Copyspace Available, Announced Dec. 6, 2010, [Site Visited May 6, 2015] <http://www.shutterstock.com/pic-64388404/stock-photo-red-and-orange-peppers-in-a-glass-bottle-for-decoration-over-white-background-isolated-a-lot.html>.
 Naturally Me Creations: Crafty Recycling: Vitamin Container to Gift Box, Announced Dec. 19, 2011, [Site Visited May 6, 2015] <http://naturallymecreatinos.blogspot.com/2011/12/crafty-recycling-vitamin-container-to.html>.
 Glass Storage Jar, Wood Lid Large, procook.com, 9 pages. Found online Apr. 7, 2016 at <https://www.procook.com.uk/product/procook-glass-storage-jar-wood-lid-large>.

* cited by examiner

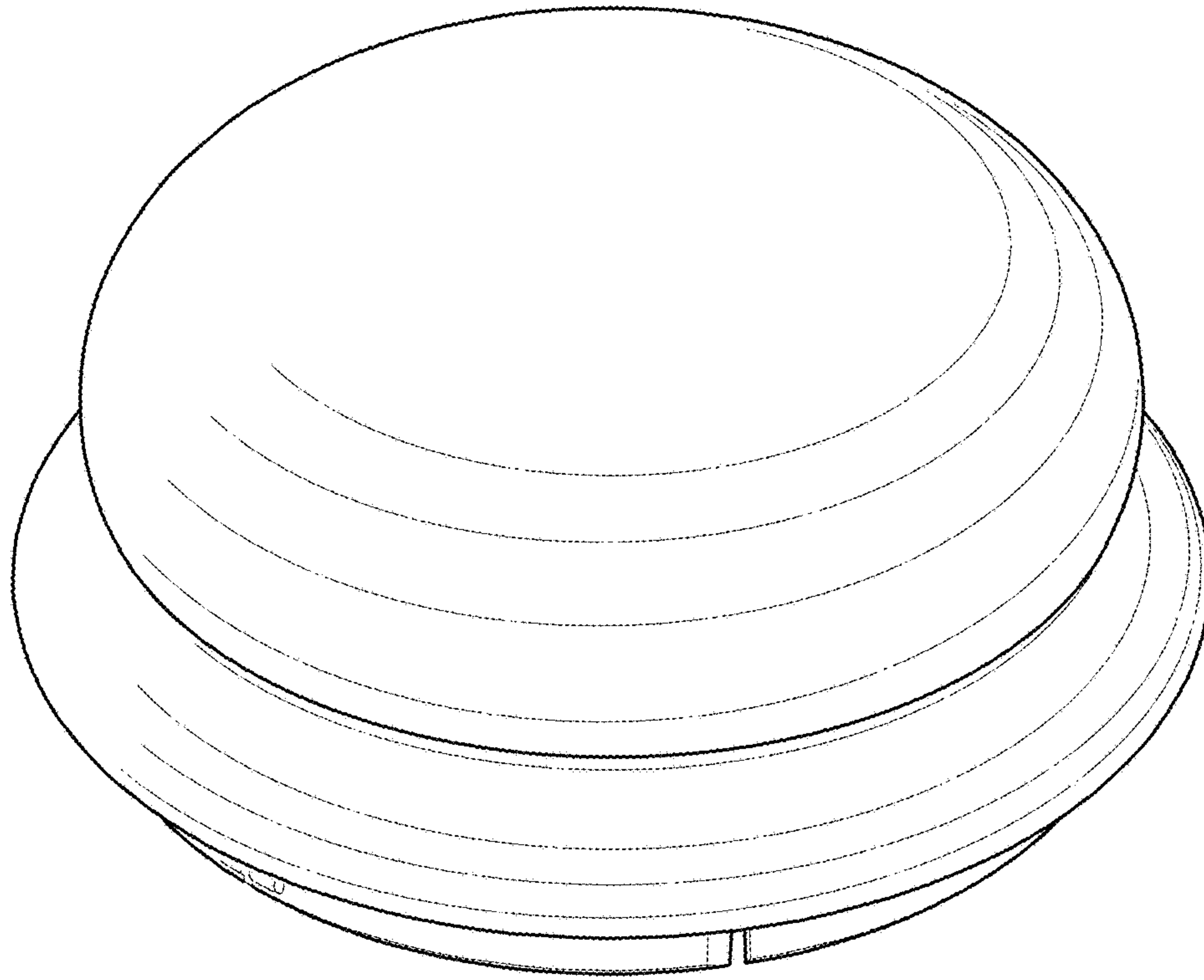


Fig. 1

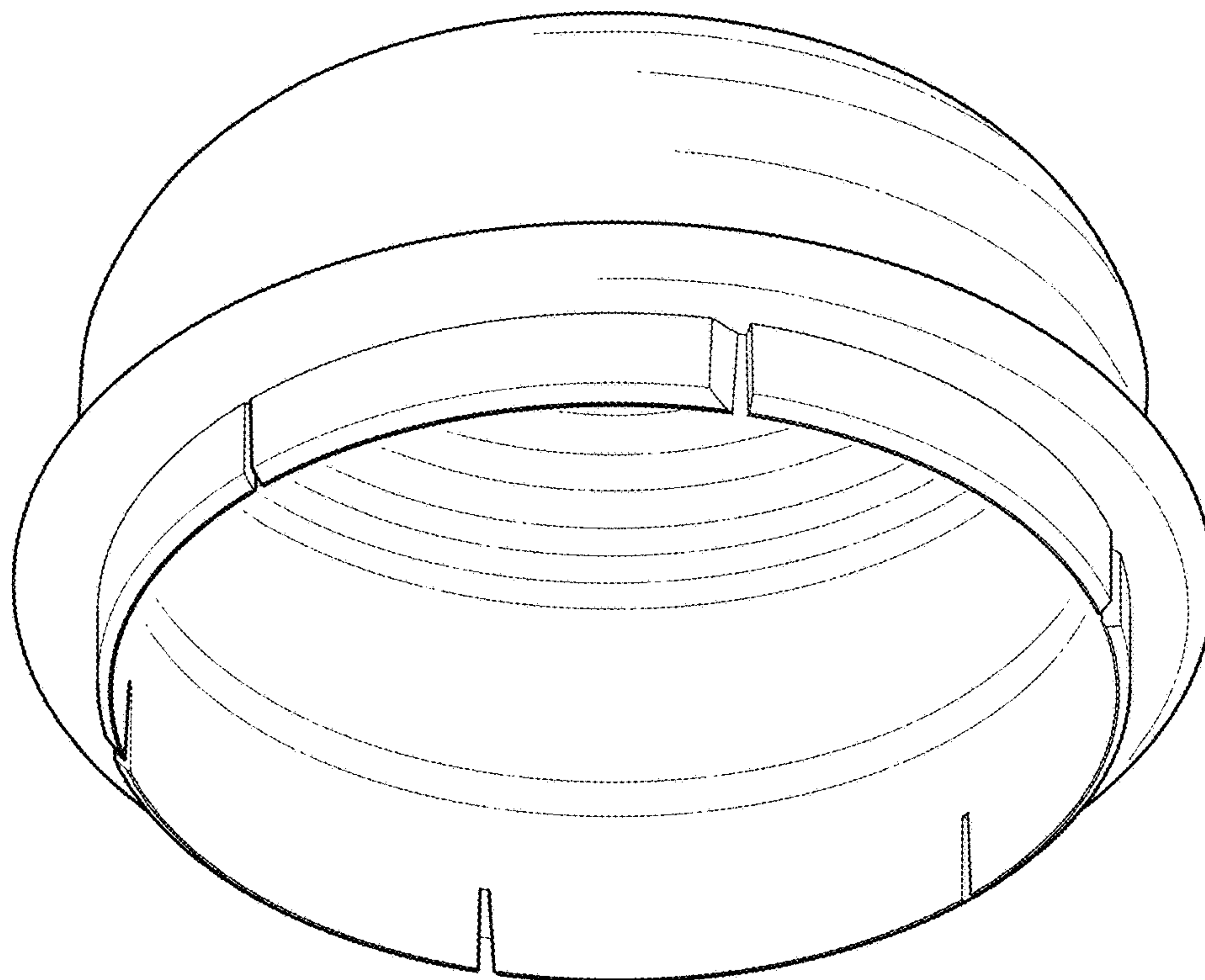


Fig. 2

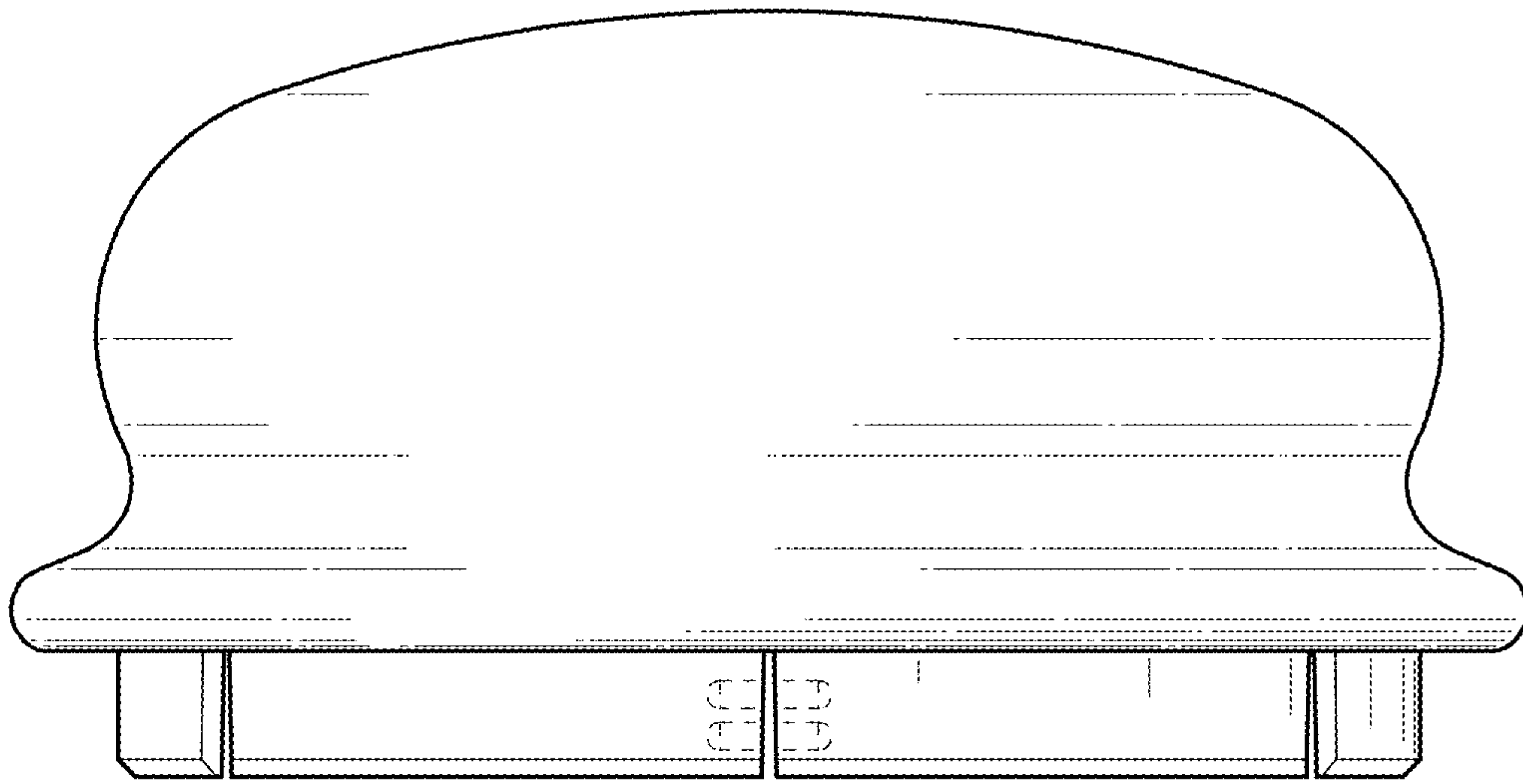


Fig. 3

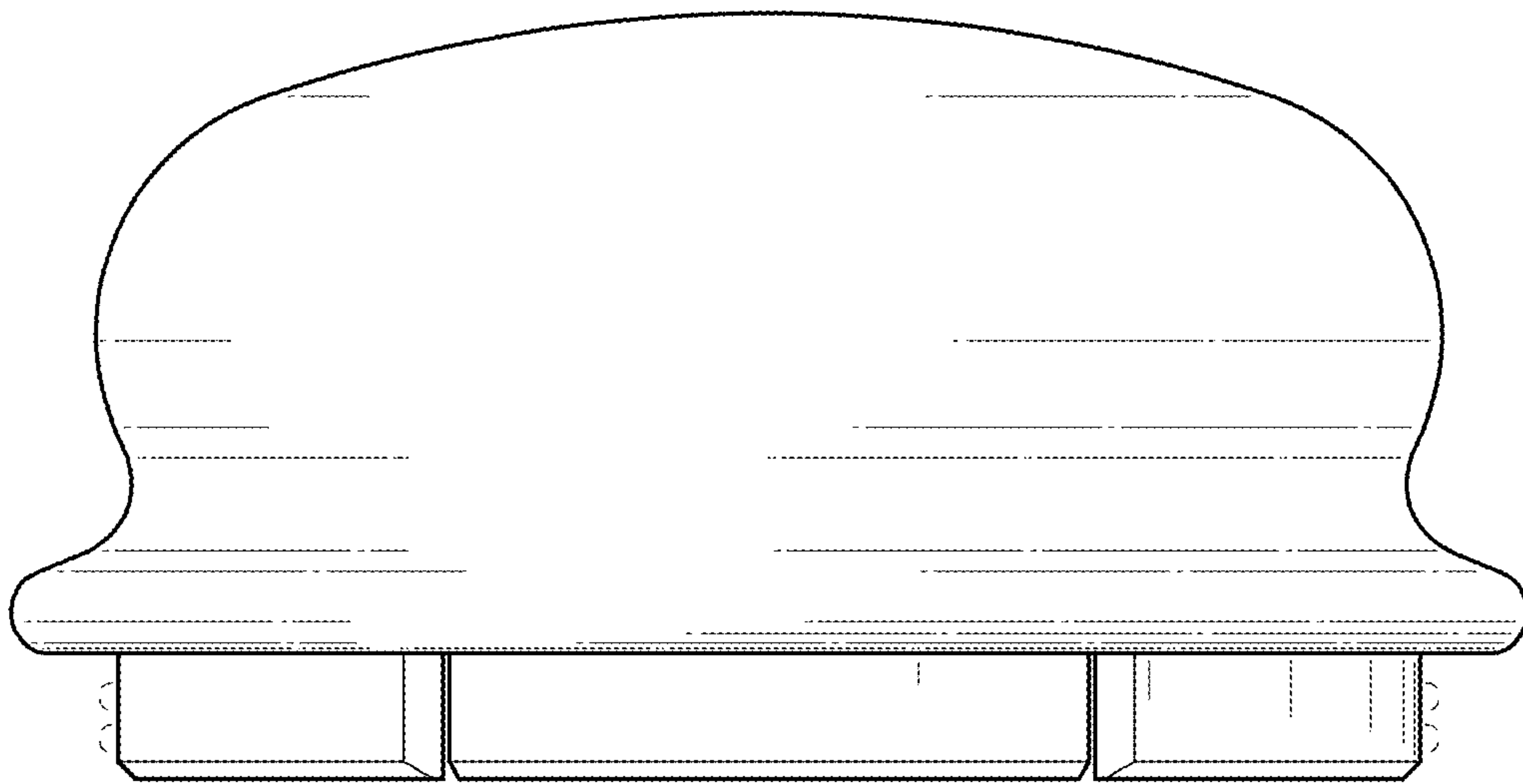


Fig. 4

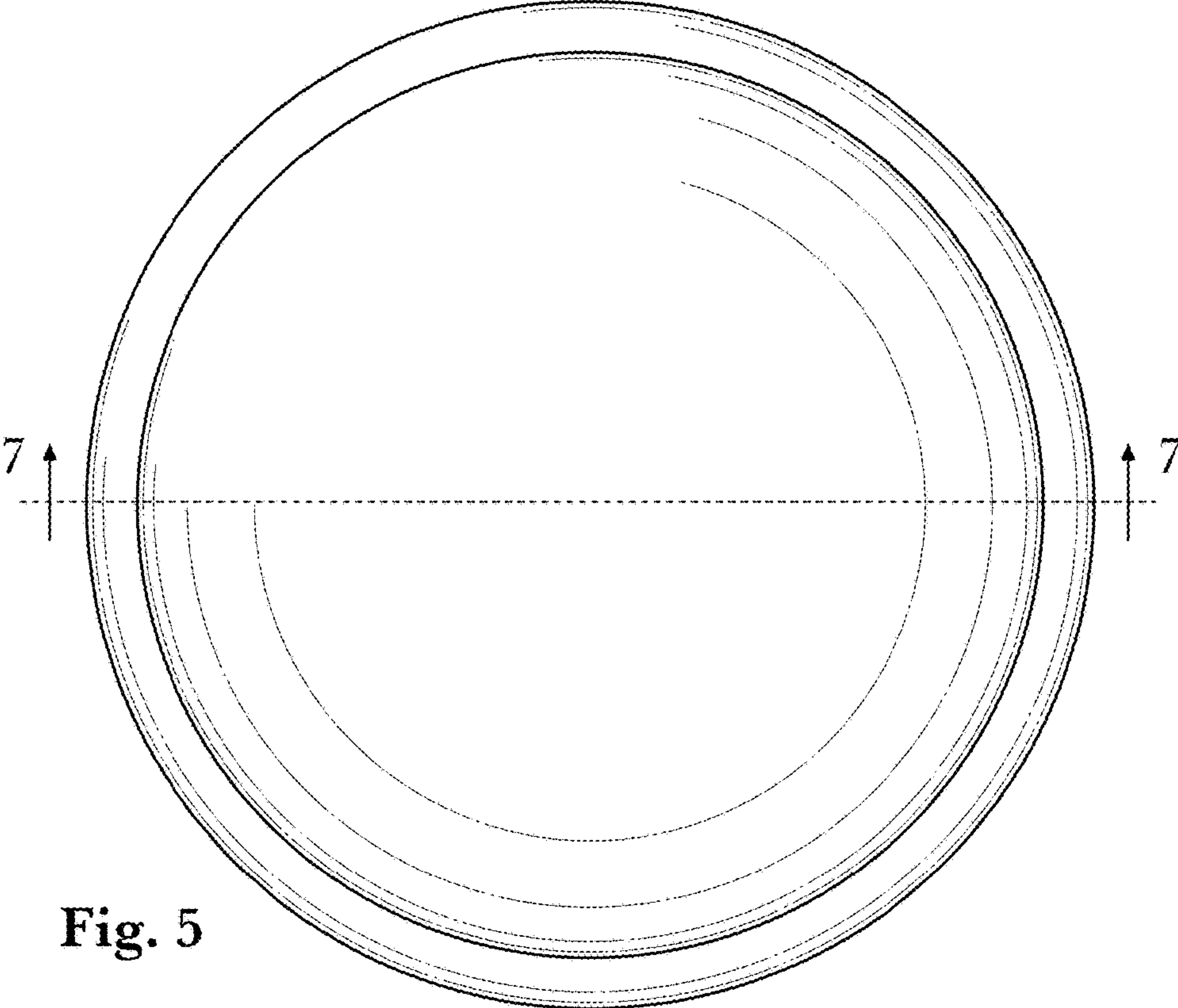


Fig. 5

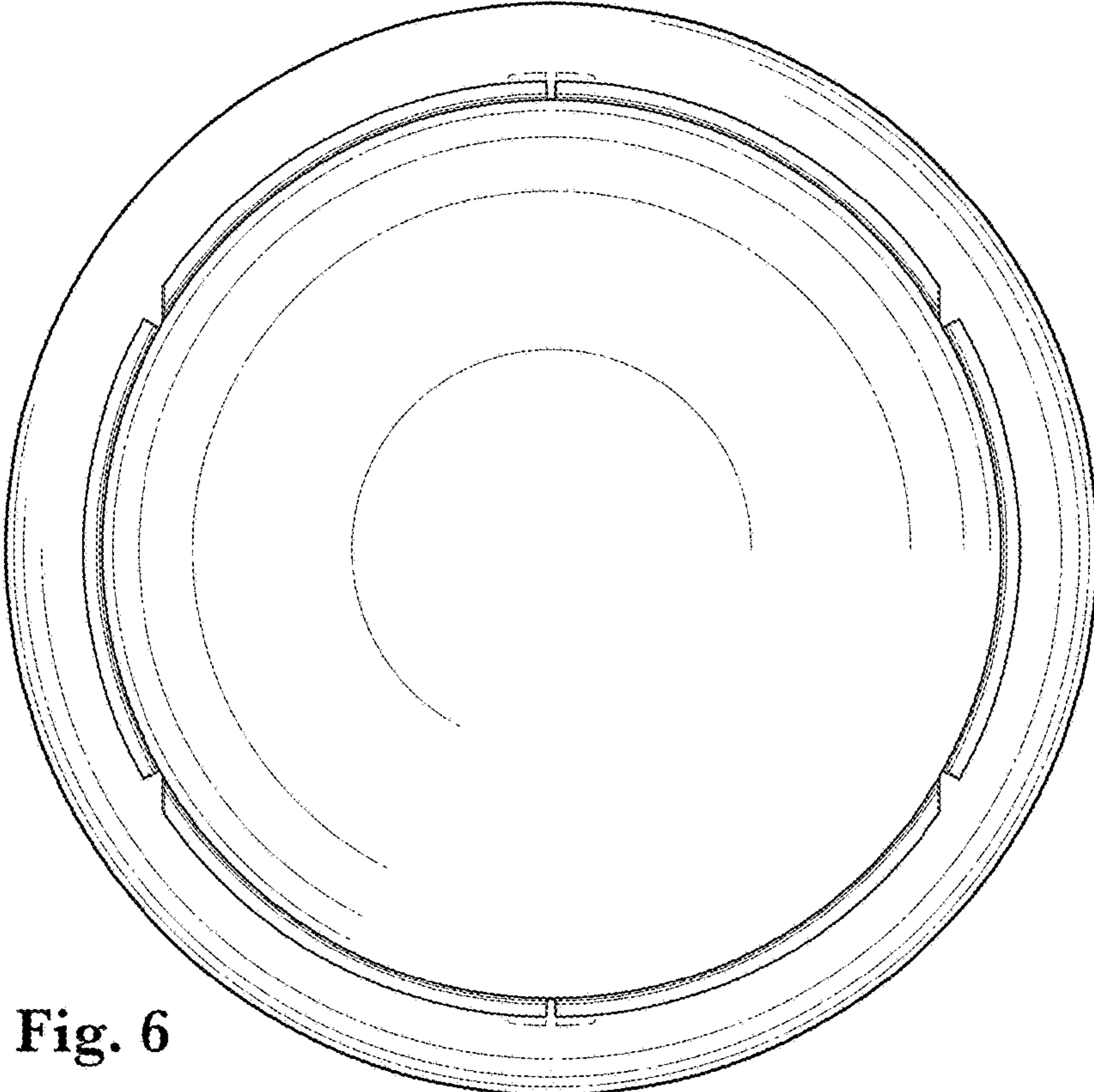


Fig. 6

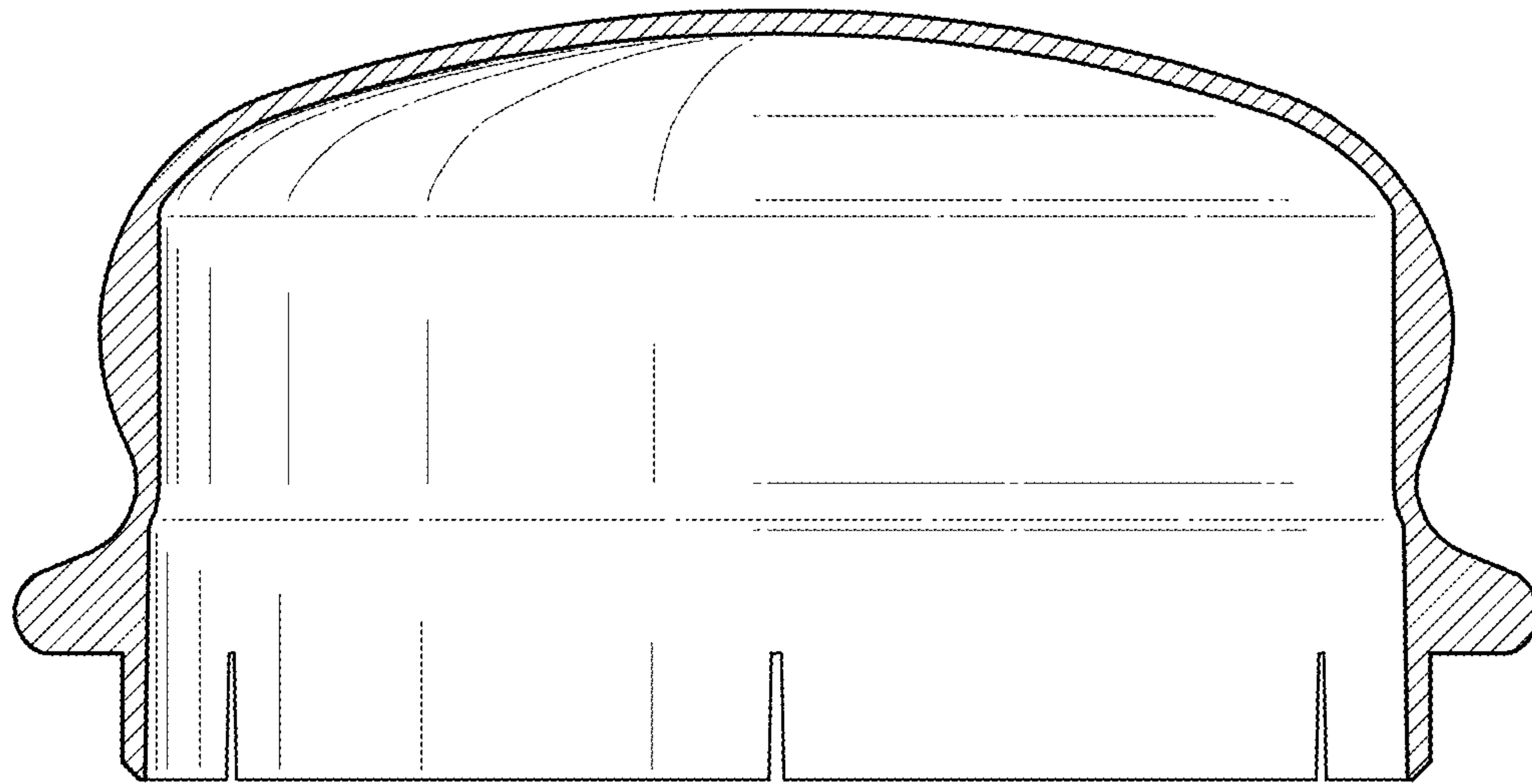


Fig. 7