



US00D820085S

(12) **United States Design Patent**  
**Moore et al.**

(10) **Patent No.:** **US D820,085 S**  
(45) **Date of Patent:** **\*\* Jun. 12, 2018**

(54) **FLUID CONTAINER SPOUT WITH STRAW**

1,659,784 A 2/1928 Pfister et al.  
1,733,184 A 10/1929 Decker  
1,797,433 A 3/1931 McCrea  
1,998,646 A 4/1935 Yager et al.  
2,008,593 A 7/1935 Pedersen  
2,157,896 A 5/1939 Held

(71) Applicant: **PURA STAINLESS LLC**, Santa Barbara, CA (US)

(72) Inventors: **Roger P. Moore**, Santa Barbara, CA (US); **Jenifer R. Moore**, Santa Barbara, CA (US)

(73) Assignee: **PURA STAINLESS LLC**, Santa Barbara, CA (US)

(\*\*) Term: **15 Years**

(21) Appl. No.: **29/604,733**

(22) Filed: **May 19, 2017**

(51) **LOC (11) Cl.** ..... **09-07**

(52) **U.S. Cl.**  
USPC ..... **D9/449**; D9/436; D7/300.2; D7/392.1; D7/396.2

(58) **Field of Classification Search**

USPC ..... D9/434, 435, 442, 443, 445-450, 499, D9/682, 684, 723, 724, 436; D7/387, D7/392, 392.1, 396.2, 509-511, 538, 900, D7/300.2; D3/202, 318; D32/35; D28/7; D23/213  
CPC .. A61J 1/00; A61J 1/1412; B65D 1/00; B65D 1/02; B65D 1/10; B65D 1/46; B65D 2585/56; B65D 2585/545; B65D 41/00; B65D 41/38; B65D 41/56; B65D 41/62; B65D 47/00; B65D 47/06; B65D 47/08; B65D 2543/00046; B65D 2543/00092; B65D 2543/00296; B65D 5/46; B65D 2251/00

See application file for complete search history.

(56) **References Cited**

**U.S. PATENT DOCUMENTS**

1,099,082 A 6/1914 Decker  
1,510,363 A 9/1924 Wangen et al.

(Continued)

**FOREIGN PATENT DOCUMENTS**

AU 2009200949 10/2009  
CN 2813523 3/2013

(Continued)

**OTHER PUBLICATIONS**

CamelBak Eddy, .75L BPA-Free Water Bottle for Hydration on the Go. [http://shop.camelbak.com/eddy-75l/d/1012\\_c\\_755\\_cl\\_6192](http://shop.camelbak.com/eddy-75l/d/1012_c_755_cl_6192), printed on Mar. 9, 2016.

(Continued)

*Primary Examiner* — Michael A. Pratt  
*Assistant Examiner* — Wendy L Arminio  
(74) *Attorney, Agent, or Firm* — Knobbe Martens Olson & Bear LLP

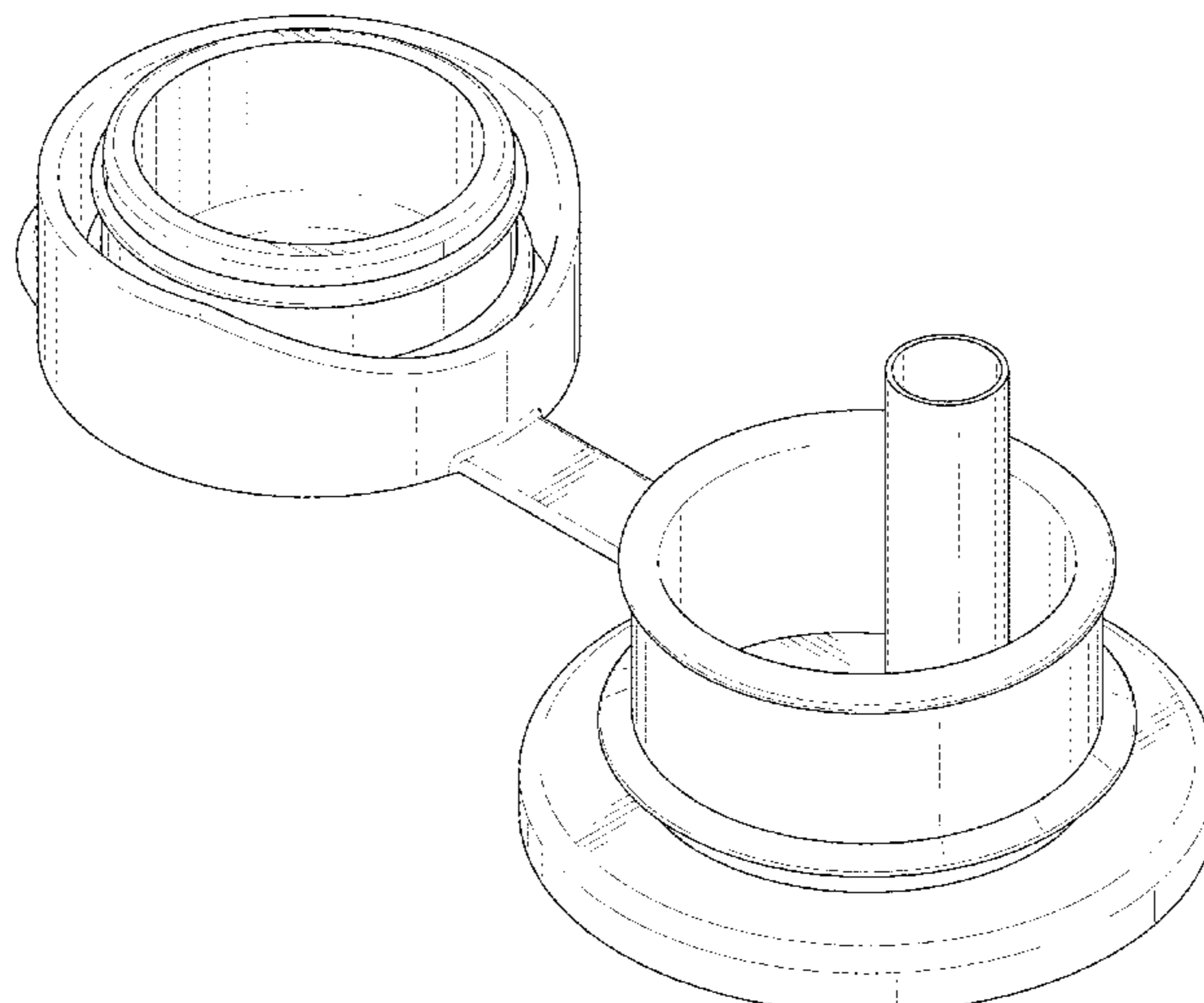
(57) **CLAIM**

The ornamental design for a fluid container spout with straw, as shown and described.

**DESCRIPTION**

FIG. 1 is a front, top, and side perspective view of a fluid container spout with straw embodying our new design.  
FIG. 2 is a front view thereof.  
FIG. 3 is a back side view thereof.  
FIG. 4 is a left side view thereof.  
FIG. 5 is a right side view thereof.  
FIG. 6 is a top view thereof.  
FIG. 7 is a bottom view thereof; and,  
FIG. 8 is a cross-sectional view taken in the direction of line 8-8 shown in FIG. 4.

**1 Claim, 8 Drawing Sheets**



(56)

References Cited

U.S. PATENT DOCUMENTS

2,194,004 A 3/1940 Bukolt  
 2,438,299 A 3/1948 Relis  
 2,449,014 A 9/1948 Shaffer  
 2,812,764 A 11/1957 Crisp  
 2,836,321 A 5/1958 Soltesz et al.  
 D188,393 S 7/1960 Fagan  
 D193,121 S 6/1962 Wickman et al.  
 3,117,702 A 1/1964 Henchert  
 3,160,327 A 12/1964 Porcelli  
 3,292,809 A 12/1966 Shomock et al.  
 3,445,023 A 5/1969 Giessler et al.  
 D220,732 S 5/1971 Ritsi  
 3,788,510 A 1/1974 Collins  
 4,078,700 A \* 3/1978 Hidding ..... B65D 47/123  
 222/109  
 4,488,551 A 12/1984 Connelly  
 4,613,050 A 9/1986 Atkin et al.  
 D288,241 S 2/1987 Fuller  
 D306,266 S 2/1990 Hargrove et al.  
 4,993,568 A 2/1991 Morifuji et al.  
 D324,824 S 3/1992 Hansen  
 5,316,160 A 5/1994 Cautereels  
 D359,684 S \* 6/1995 Duggan ..... D9/436  
 5,544,766 A 8/1996 Dunn et al.  
 D378,975 S 4/1997 Reid  
 5,769,277 A \* 6/1998 Elliott ..... B65D 47/103  
 215/254  
 D404,646 S 1/1999 Black, Sr. et al.  
 D409,303 S 5/1999 Oepping  
 5,909,820 A 6/1999 Yeh  
 D424,937 S 5/2000 Tucker  
 D437,782 S \* 2/2001 Haley ..... D9/440  
 D438,799 S \* 3/2001 Anderson ..... D9/449  
 6,223,919 B1 5/2001 Kuehn  
 D448,971 S 10/2001 Hughes  
 6,371,315 B1 4/2002 Chien  
 D463,567 S 9/2002 Morano  
 D465,028 S 10/2002 Renz  
 D466,016 S \* 11/2002 Serrano ..... D9/442  
 D475,923 S \* 6/2003 Renz ..... D9/446  
 D479,606 S 9/2003 Randolph  
 6,634,417 B1 10/2003 Kolowich  
 D487,227 S 3/2004 Haley  
 D504,725 S 5/2005 Randolph et al.  
 D507,722 S 7/2005 Rockhill  
 6,948,630 B2 9/2005 Julian et al.  
 D514,935 S 2/2006 Sturk  
 6,994,225 B2 2/2006 Hakim  
 7,070,065 B2 7/2006 Wong  
 D531,901 S 11/2006 Rueschhoff et al.  
 D555,795 S 11/2007 Mallet  
 D567,384 S 4/2008 Sakulsacha et al.  
 D573,017 S \* 7/2008 Henderson ..... D9/436  
 D588,616 S 3/2009 Tanaka et al.  
 D617,465 S 6/2010 Hakim  
 D634,439 S 3/2011 Hakim  
 7,938,281 B2 5/2011 Horntrich et al.  
 D639,968 S 6/2011 Pukall et al.  
 D639,969 S 6/2011 Pukall et al.  
 D643,722 S 8/2011 Gorskey et al.  
 D645,339 S \* 9/2011 Oakes ..... D9/420  
 8,123,086 B2 2/2012 Haley  
 D667,558 S 9/2012 Hakim  
 D671,793 S 12/2012 Hakim  
 D678,767 S 3/2013 Haley  
 D679,589 S 4/2013 Hauth  
 D681,216 S 4/2013 Smith  
 D683,189 S 5/2013 Thomas  
 8,573,436 B2 11/2013 Moore et al.  
 D699,068 S 2/2014 Dunn et al.  
 8,739,991 B2 6/2014 Moore et al.  
 8,807,386 B2 8/2014 Lam  
 D713,259 S 9/2014 Naef et al.  
 D713,724 S \* 9/2014 den Boer ..... D9/449

8,919,610 B2 \* 12/2014 Haley ..... B65D 39/00  
 141/56  
 D724,233 S 3/2015 Moore et al.  
 D730,730 S 6/2015 Haley et al.  
 RE45,611 E 7/2015 Haley  
 D747,200 S \* 1/2016 Chiorazzi ..... D9/440  
 9,233,052 B2 1/2016 Moore  
 D750,490 S 3/2016 Moore et al.  
 D752,234 S 3/2016 Moore et al.  
 D753,998 S 4/2016 Murphey et al.  
 D758,789 S 6/2016 Moore et al.  
 D767,390 S 9/2016 Miksovsky et al.  
 D768,490 S \* 10/2016 Robinson ..... D9/449  
 D769,671 S 10/2016 Bielawski  
 D769,713 S 10/2016 Moore et al.  
 D780,579 S \* 3/2017 Kim ..... D9/449  
 RE46,506 E \* 8/2017 Haley  
 D808,802 S \* 1/2018 Seiders ..... D9/440  
 2004/0124168 A1 7/2004 Silver  
 2004/0221385 A1 11/2004 Su  
 2005/0000930 A1 1/2005 Weissberg  
 2005/0258201 A1 11/2005 Willows et al.  
 2006/0011571 A1 1/2006 Silver  
 2006/0261064 A1 11/2006 Holley, Jr.  
 2007/0102434 A1 5/2007 Dunwoody et al.  
 2007/0221604 A1 9/2007 Hakim  
 2008/0282907 A1 11/2008 Begin et al.  
 2009/0261054 A1 10/2009 Shelby  
 2009/0301990 A1 12/2009 Cresswell et al.  
 2011/0062105 A1 3/2011 Itzek  
 2012/0074090 A1 3/2012 Rees  
 2014/0251939 A1 9/2014 Boonprasop  
 2015/0053637 A1 2/2015 Archer et al.

FOREIGN PATENT DOCUMENTS

CN ZL 201320170041.6 12/2013  
 CN ZL 2013305348008 3/2014  
 EP 0151862 A2 8/1985  
 EP 1354579 A1 10/2003  
 EP 002346577-0001 11/2013  
 EP 002346577-0002 11/2013  
 GB 2154451 A1 9/1985  
 GB 2491790 4/2013  
 KR 20-1999-0021881 6/1999  
 KR 10-2000-0022013 4/2000  
 KR 20-2000-0007813 5/2000  
 KR 10-2000-0042244 7/2000  
 WO WO 0016731 A1 3/2000  
 WO WO 2011/116354 A2 9/2011  
 ZA 2012/07314 11/2012

OTHER PUBLICATIONS

Nuby Replacement Spouts, Copyright 2011.  
 Nuby Klik-it FlexStraw, copyright 2016, <https://nuby.com/en/nuby/cups-spouts/10130/>.  
 Organickidz, About us, [www.organickidz.ca/about-us/founder](http://www.organickidz.ca/about-us/founder), Pub. Date Unknown.  
 Tejada, Avoid Bisphenol A when you can, [www.azcentral.com/community/chandler/citizen/articles/2009/05/26/20090526fr-askexpert0527.html](http://www.azcentral.com/community/chandler/citizen/articles/2009/05/26/20090526fr-askexpert0527.html), May 26, 2009.  
 My Precious Kid, Baby Bottles—BPA free/stainless steel on sale, <http://www.mypreciouskid.com/blog/2009/10/baby-bottles-bpa-free-stainless-steel-on-sale/>, Oct. 21, 2009.  
 Mittelstaedt, Bisphenol A poses disease risk for adults, study says, [theGlobeandMail.com/technology/science/.../article1061117](http://theGlobeandMail.com/technology/science/.../article1061117), Sep. 16, 2008.  
 Mommyauctions, Bottle raid 2007!, [Mommyauctions.com/blog/2007/10/01/kitchen-raid-2007-what's-the-scoop-on-all-the-bpa-free-hype](http://Mommyauctions.com/blog/2007/10/01/kitchen-raid-2007-what-s-the-scoop-on-all-the-bpa-free-hype), Oct. 21, 2009.  
 Wellings, Concerns over baby bottles, <http://au.news.yahoo.com/today-tonight/latest/article/-/6098435/concerns-over-baby-bottles>, Sep. 24, 2009.  
 Examination Report issued in United Kingdom Patent Application No. GB1218578.1 dated Oct. 31, 2012.

(56)

**References Cited**

## OTHER PUBLICATIONS

Daley, Harvard study backs bottle concern, says plastic used leaches Bisphenol A, The Boston Globe [www.boston.com/lifestyle/green/articles/2009/05/22/harvard\\_study\\_backs\\_bottle\\_concern\\_and\\_www.organickidz.ca/stainless-steel-bpa/news-articles](http://www.boston.com/lifestyle/green/articles/2009/05/22/harvard_study_backs_bottle_concern_and_www.organickidz.ca/stainless-steel-bpa/news-articles), May 22, 2009.

International Search Report and Written Opinion for International Application No. PCT/US2011/029098, Notification dated Nov. 28, 2011.

Consumer Reports, Major baby bottle manufacturers agree to ban BPA, <http://news.consumerreports.org/safety/2009/03/baby-bottle-makers-agree-to-ban-bpa.html>, Mar. 9, 2009.

Cornell University, Plastics—Avoiding BPA, [http://envirocancer.cornell.edu](http://envirocancer.cornell.edu/envirocancer.cornell.eduhttp://envirocancer.cornell.edu), Mar. 2009.

Adams, Six baby bottle manufacturers quietly agree to remove BPA from baby bottles, [http://www.naturalnews.com/025804\\_BPA\\_Baby\\_Bottles.html](http://www.naturalnews.com/025804_BPA_Baby_Bottles.html), Mar. 9, 2009.

Wiley, Stainless Steel Baby Bottles are the best alternative to plastic, [voices.yahoo.com/stainless-steel-baby-bottles-best-alternative-2999481.html?cat=25](http://voices.yahoo.com/stainless-steel-baby-bottles-best-alternative-2999481.html?cat=25), Mar. 6, 2009.

Alter, Time to pack in the polycarbonates, <http://www.treehugger.com/green-food/time-to-pack-in-the-polycarbonates.html>, Aug. 1, 2007.

Thinkbaby, The New Design—Stage B, Cross Cut, No Spill (6 to 12 months)—Two Pack, [http://thinkbabybottles.3dcartstores.com/The-New-Design--Stage-B-Cross-Cut-No-Spill-6-to-12-months-Two-Pack-\\_p\\_200.html](http://thinkbabybottles.3dcartstores.com/The-New-Design--Stage-B-Cross-Cut-No-Spill-6-to-12-months-Two-Pack-_p_200.html) retrieved May 5, 2015.

Garvey, World's first stainless steel baby bottles—safe, strong and sustainable, [www.gizmag.com/worlds-first-stainless-steel-baby-bottles/12910](http://www.gizmag.com/worlds-first-stainless-steel-baby-bottles/12910), Sep. 22, 2009.

Manila Mommy, A Review and a Giveaway! Pura Kiki Stainless Steel Bottle, <http://manilamommy.com/pura-kiki-review/>, Mar. 5, 2012.

Family Education, Pura Stainless Steel Water Bottle Giveaway, <http://blogs.familyeducation.com/blogs/lindsay/pura-stainless-steel-water-bottle-giveaway>, Sep. 14, 2011.

Stannard, Yale study details how and why of BPA's dangers, [www.ehhi.org/plastics/taylor\\_nhregister\\_0310.shtml](http://www.ehhi.org/plastics/taylor_nhregister_0310.shtml) and: [www.organickidz.ca/stainless-steel-bpa/news-articles](http://www.organickidz.ca/stainless-steel-bpa/news-articles), Mar. 9, 2009.

\* cited by examiner

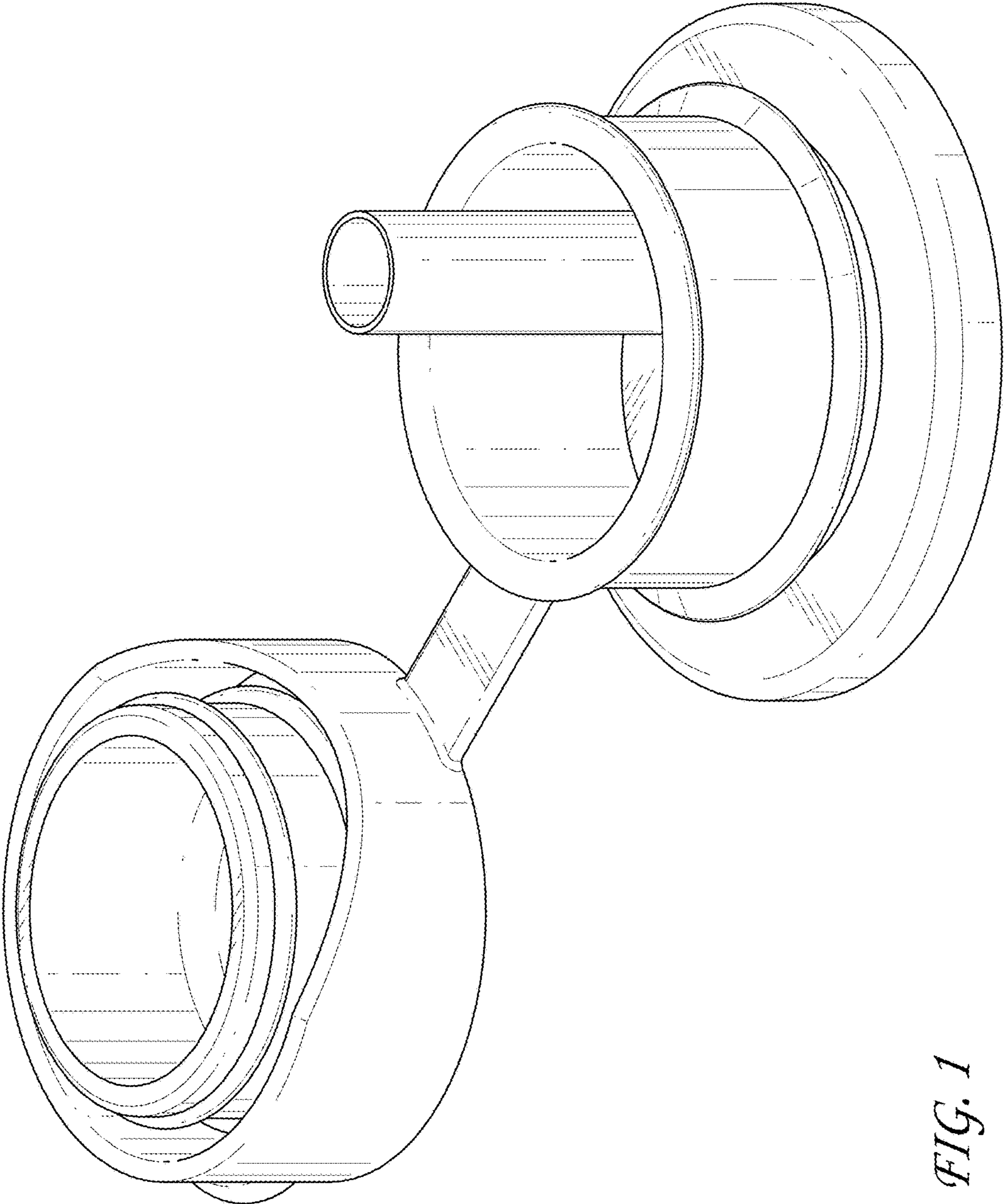
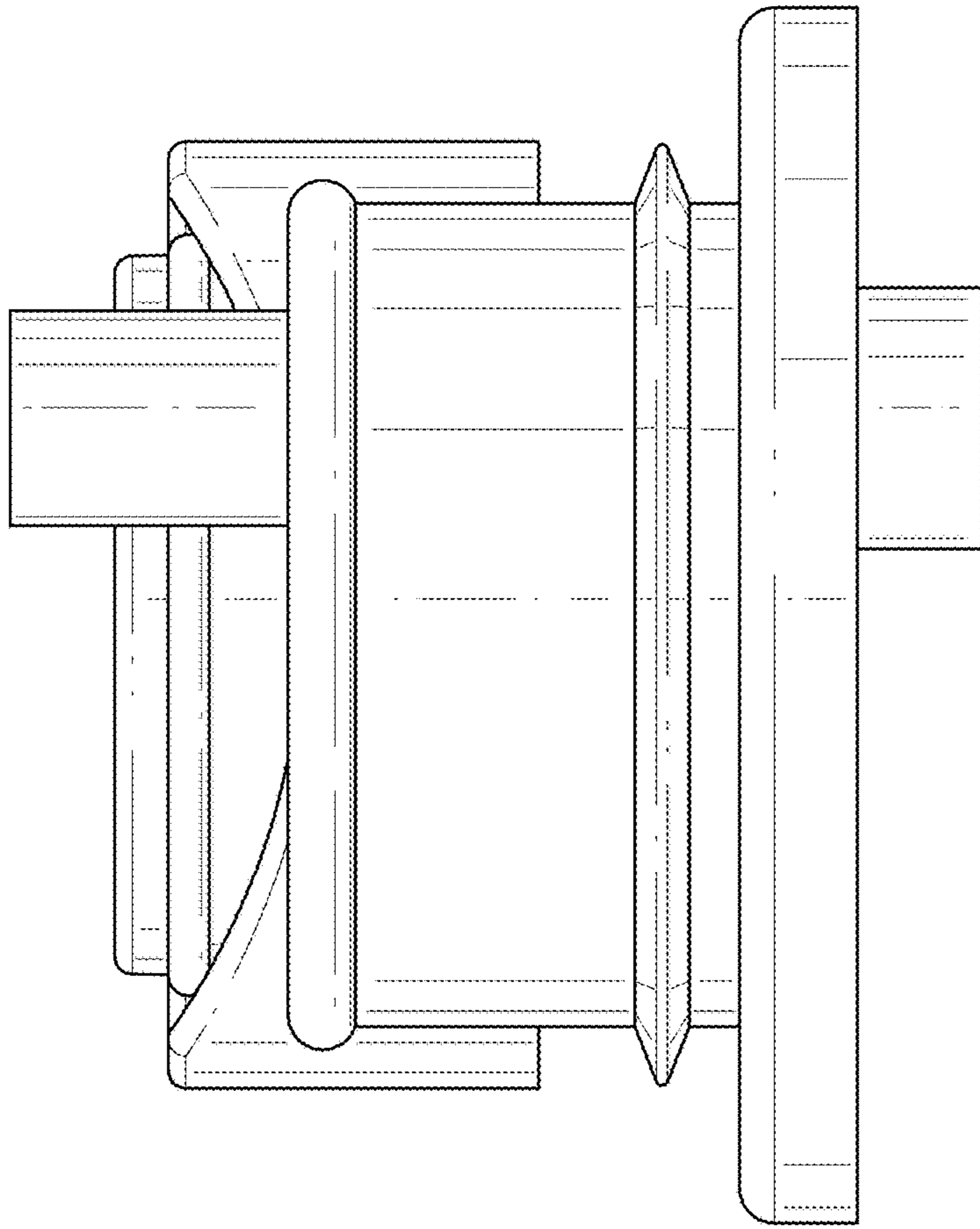
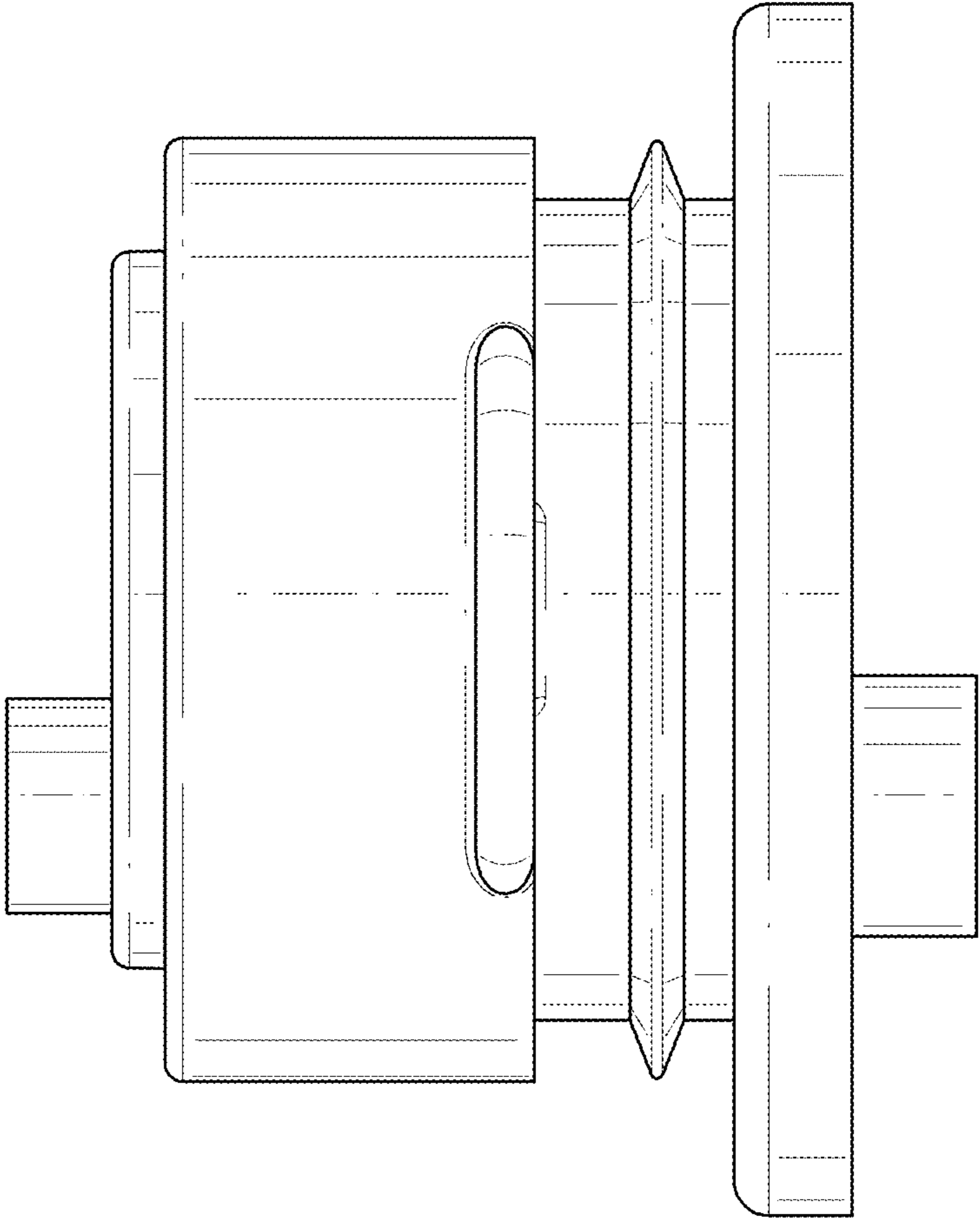


FIG. 1



*FIG. 2*



*FIG. 3*

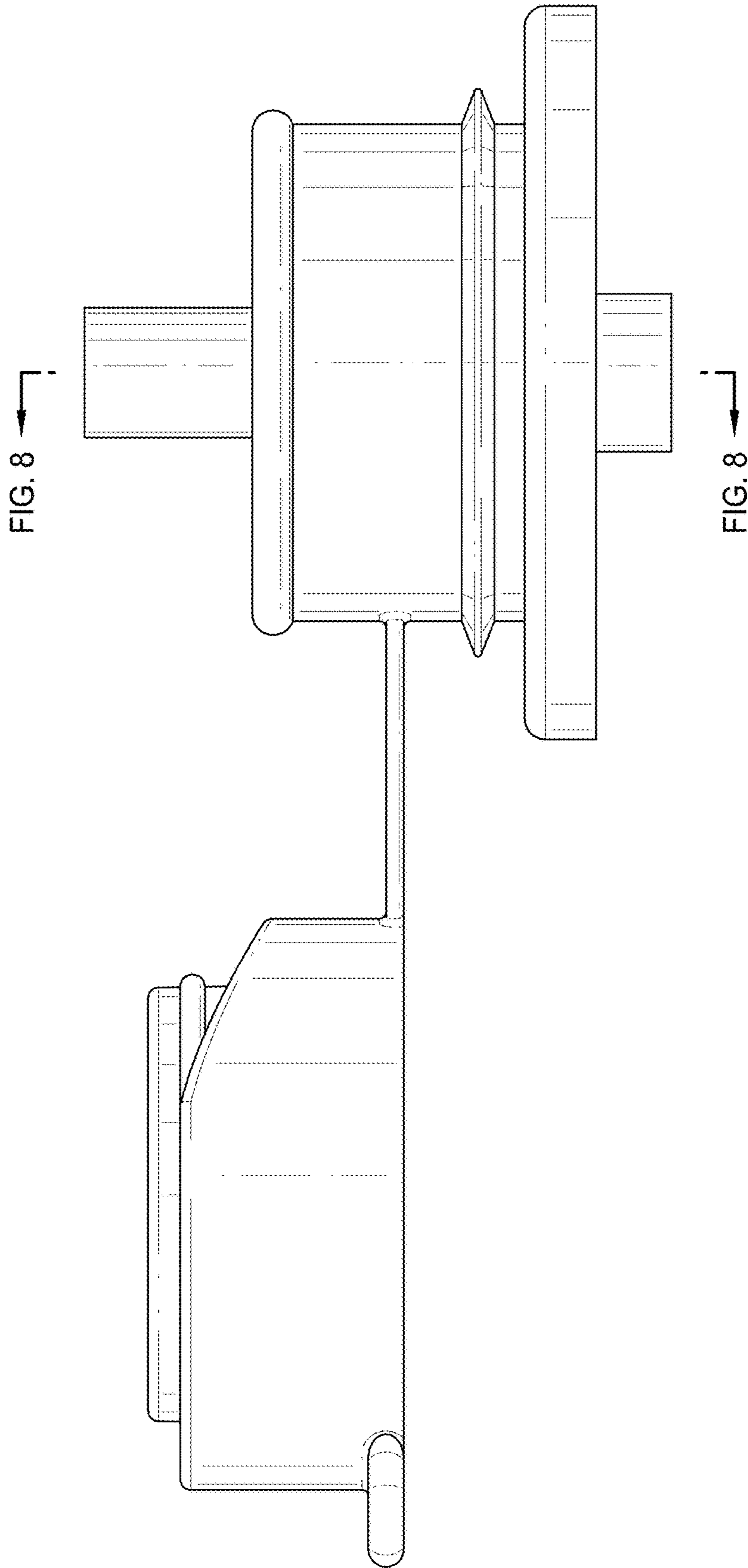
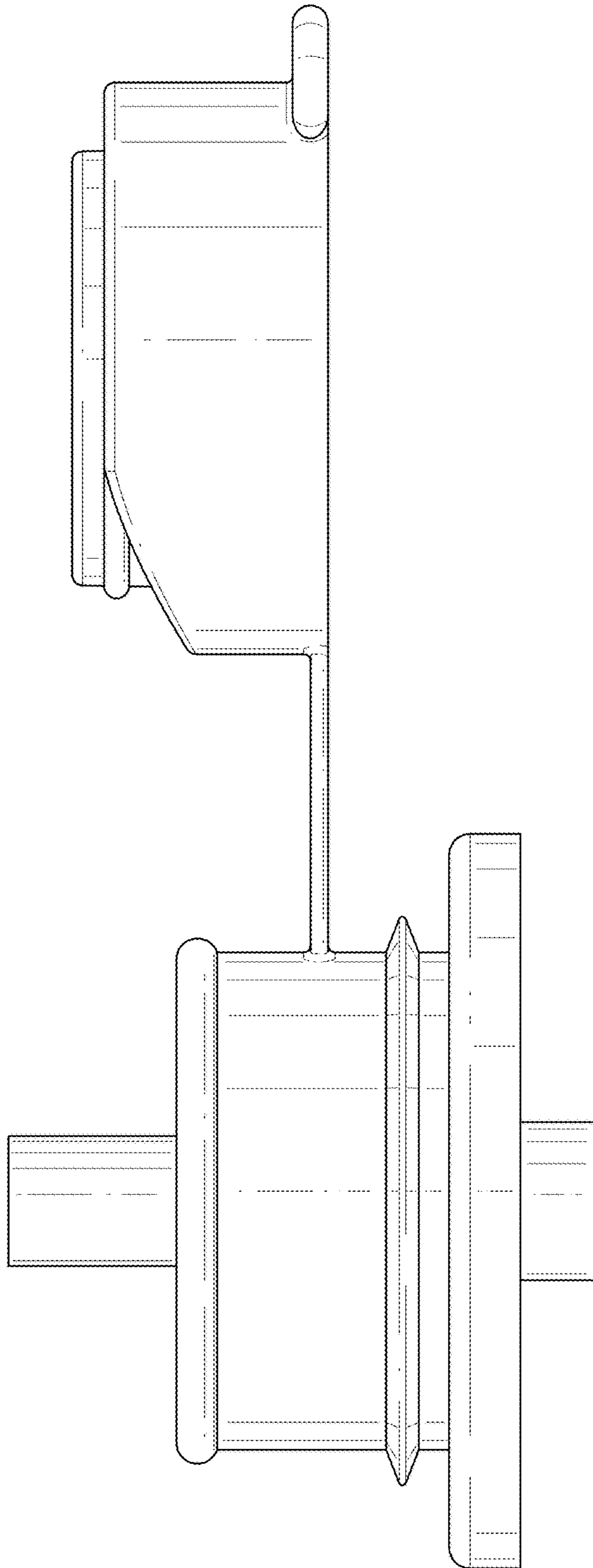


FIG. 4



*FIG. 5*



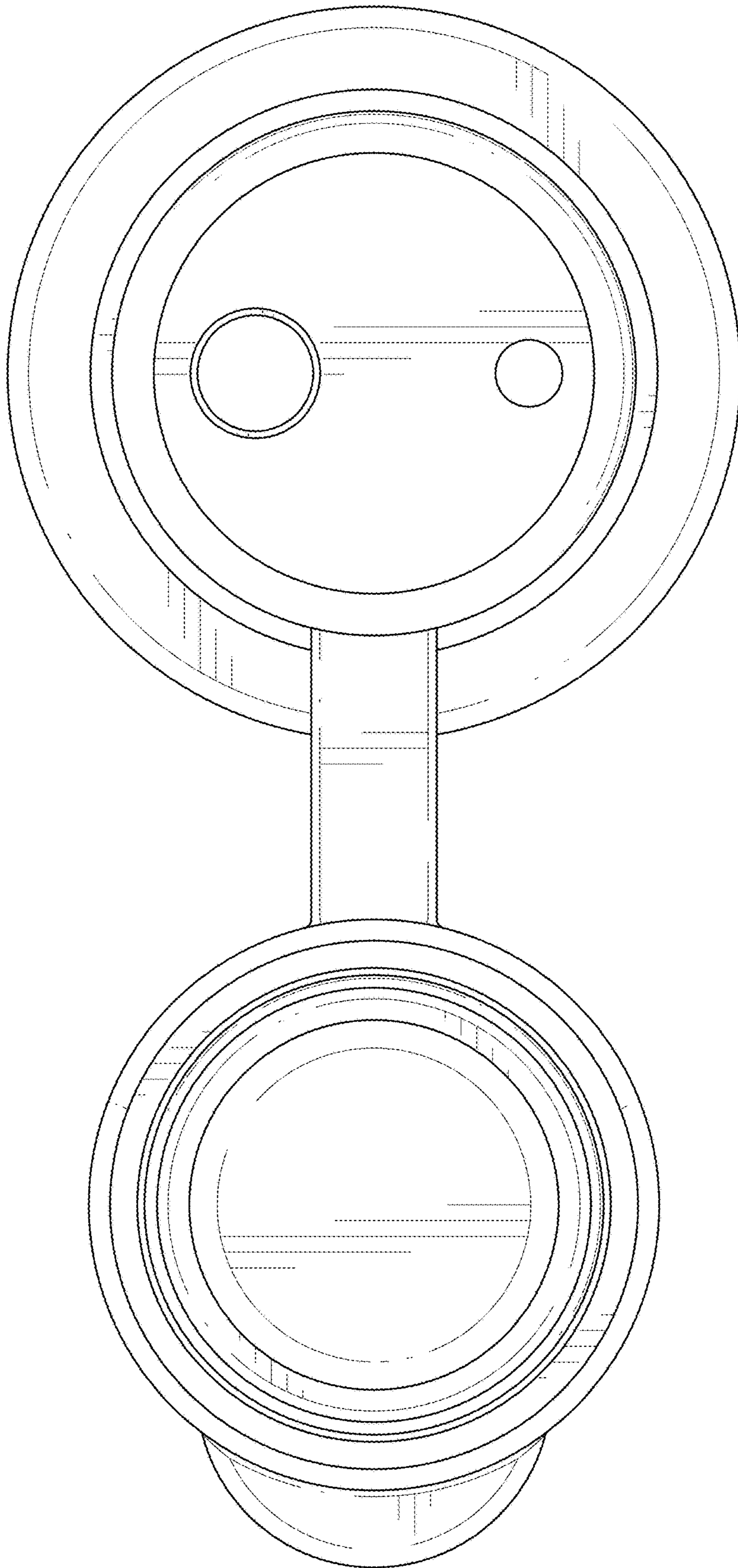
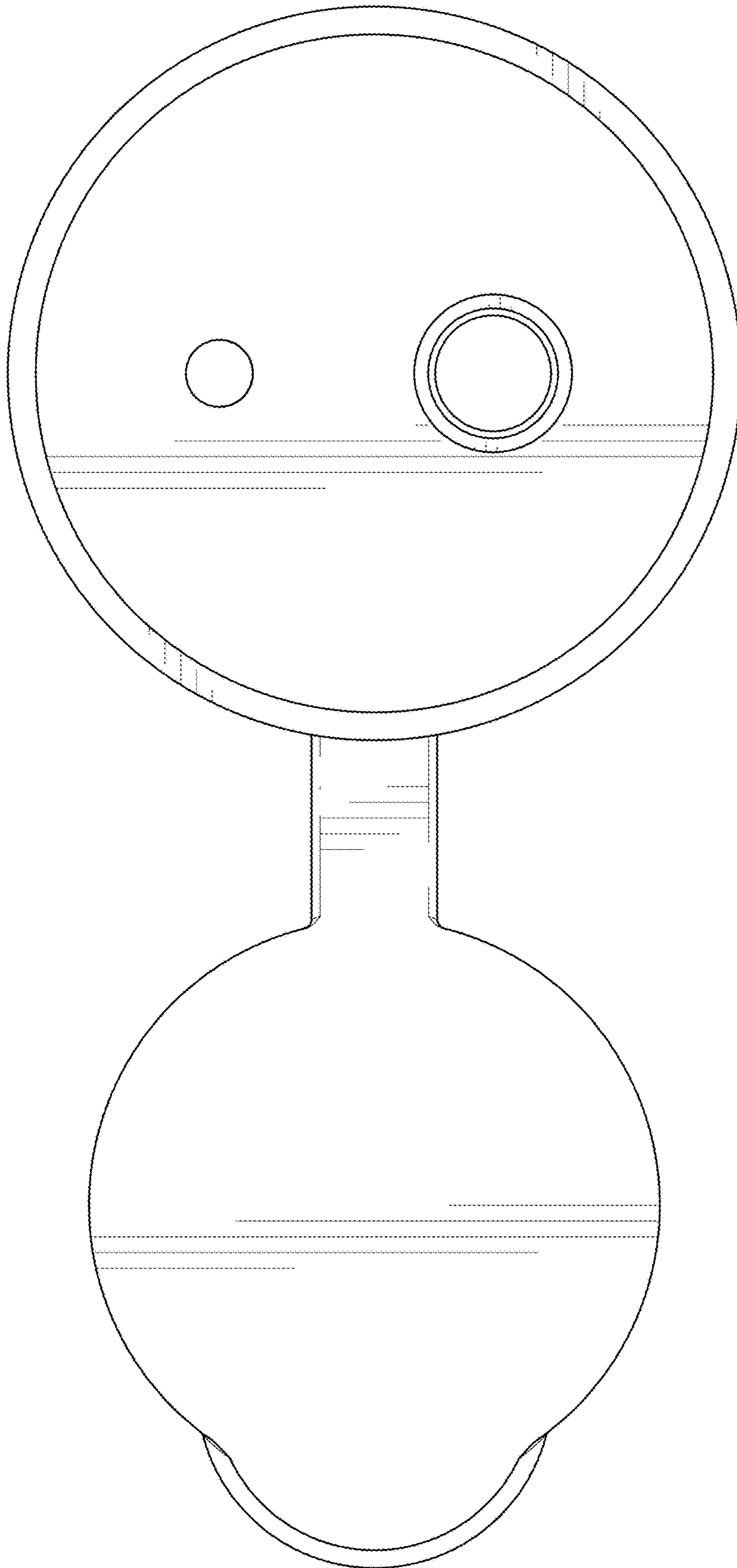
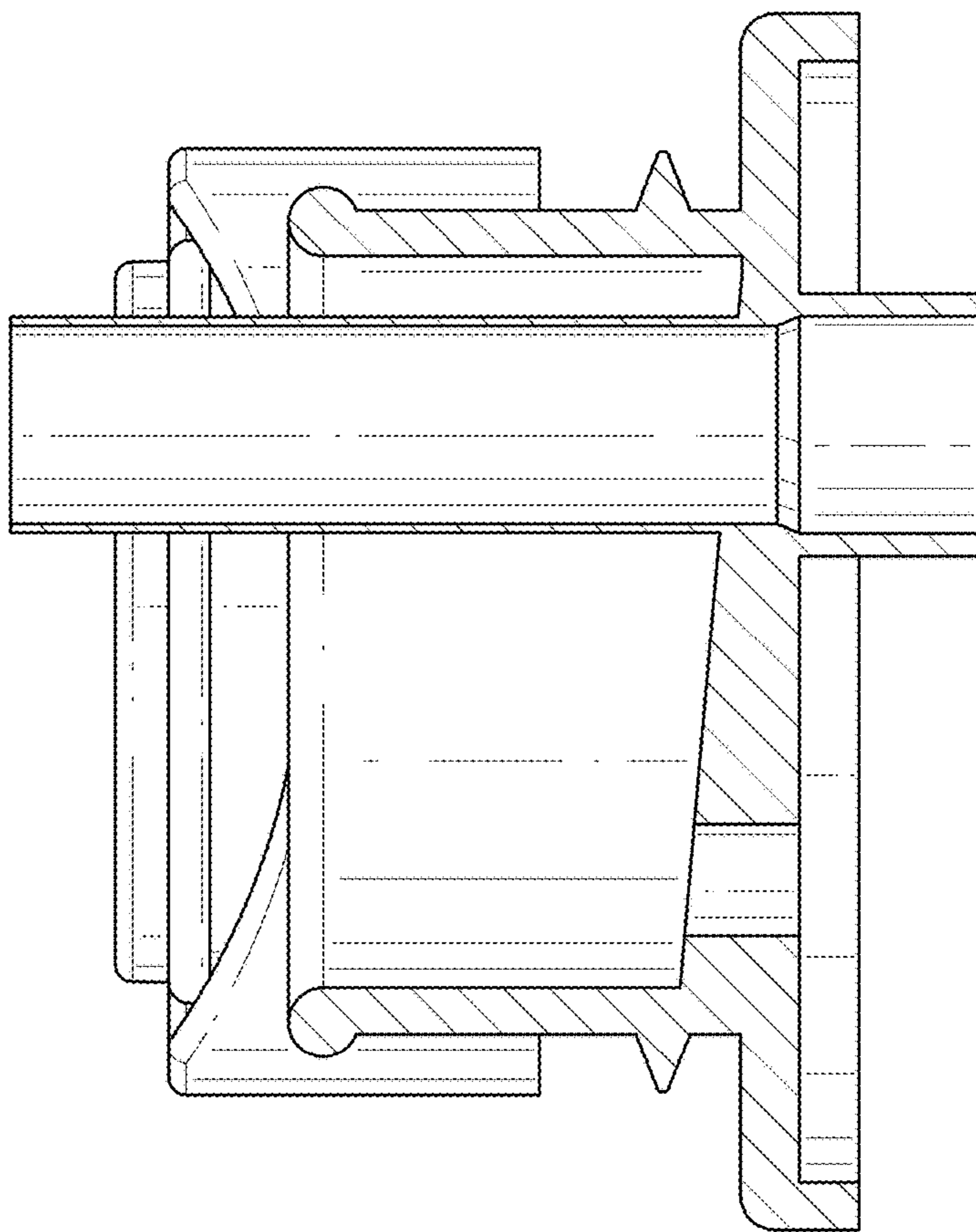


FIG. 6



*FIG. 7*



*FIG. 8*