



US00D820084S

(12) **United States Design Patent**  
**Schoen**

(10) **Patent No.:** **US D820,084 S**  
(45) **Date of Patent:** **\*\* Jun. 12, 2018**

- (54) **BOTTLE STOPPER**
- (71) Applicant: **David Schoen**, Beverly Hills, CA (US)
- (72) Inventor: **David Schoen**, Beverly Hills, CA (US)
- (73) Assignee: **David Schoen**, Beverly Hills, CA (US)
- (\*\*) Term: **15 Years**
- (21) Appl. No.: **29/545,443**
- (22) Filed: **Nov. 12, 2015**
- (51) **LOC (11) Cl.** ..... **09-07**
- (52) **U.S. Cl.**  
USPC ..... **D9/439**
- (58) **Field of Classification Search**  
USPC ..... D7/391, 392, 392.1, 396.1; D9/434-436,  
D9/438, 439, 443, 447, 454-457, 499,  
D9/505  
CPC ..... B65D 39/0005; B65D 51/24; B65D  
2543/00092; B65D 2543/00537  
See application file for complete search history.

- D682,690 S \* 5/2013 Bowes ..... D9/439
- D716,656 S \* 11/2014 Carregui ..... D9/440
- D787,025 S \* 5/2017 Taylor ..... D23/260
- D805,899 S \* 12/2017 Marantis ..... D9/439

**OTHER PUBLICATIONS**

Etsy. Personalized Barware.Nov. 6, 2017. <URL:https://www.etsy.com/listing/166874743/personalized-barware-buono-vino-wine?ga\_order=most\_relevant&ga\_search\_type=all &ga\_view\_type=gallery&ga\_search\_query=letter wine stopper &ref=sc\_gallery-1-3 &plkey=ec0dfb184f8fa41cf257a13fa51ed85448c433c3:166874743>. (Year: 2017).\*

\* cited by examiner

*Primary Examiner* — Eric L Goodman  
*Assistant Examiner* — Darcey E Heflin

(57) **CLAIM**

The ornamental design for a bottle stopper, as shown and described.

**DESCRIPTION**

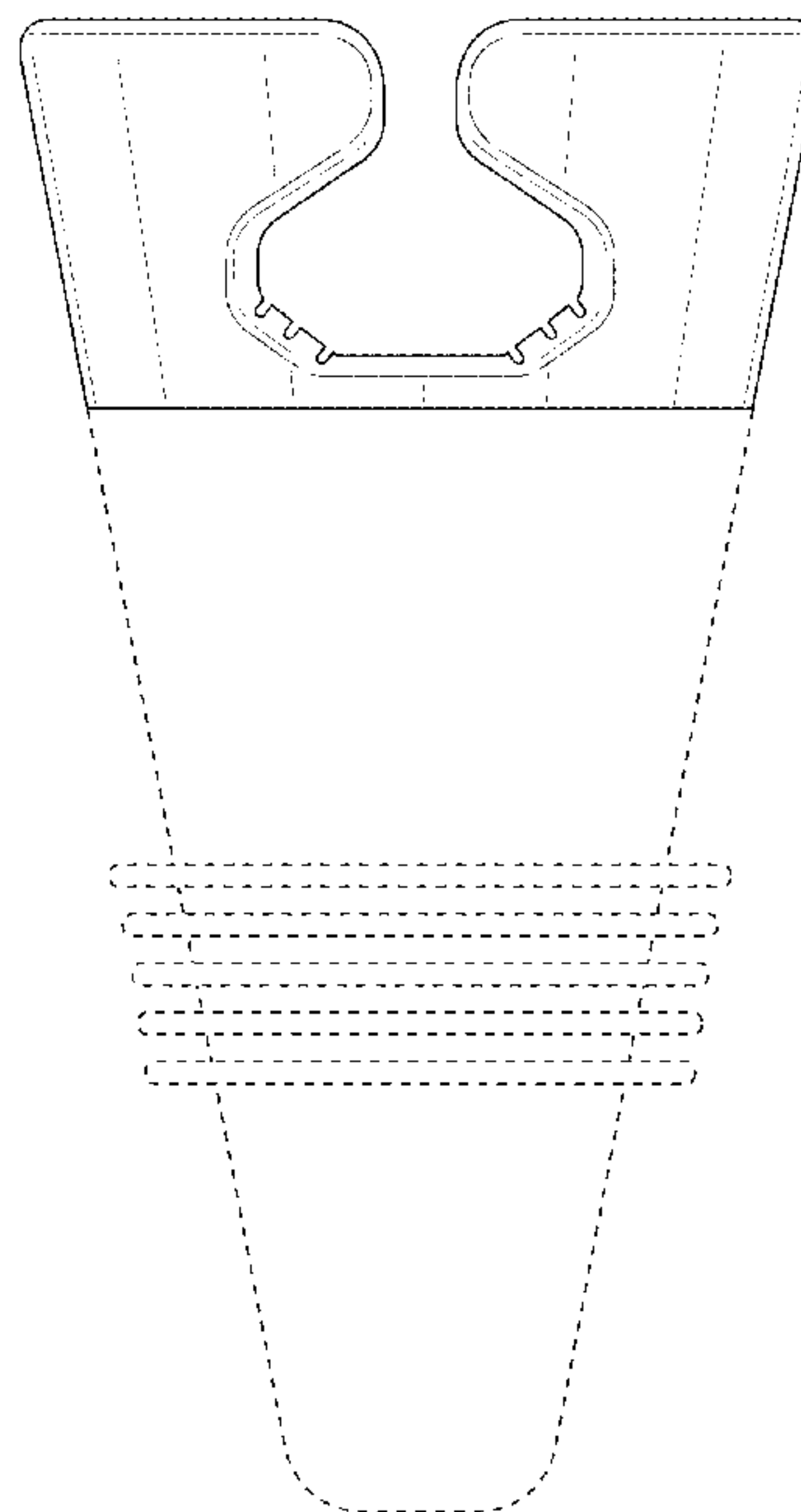
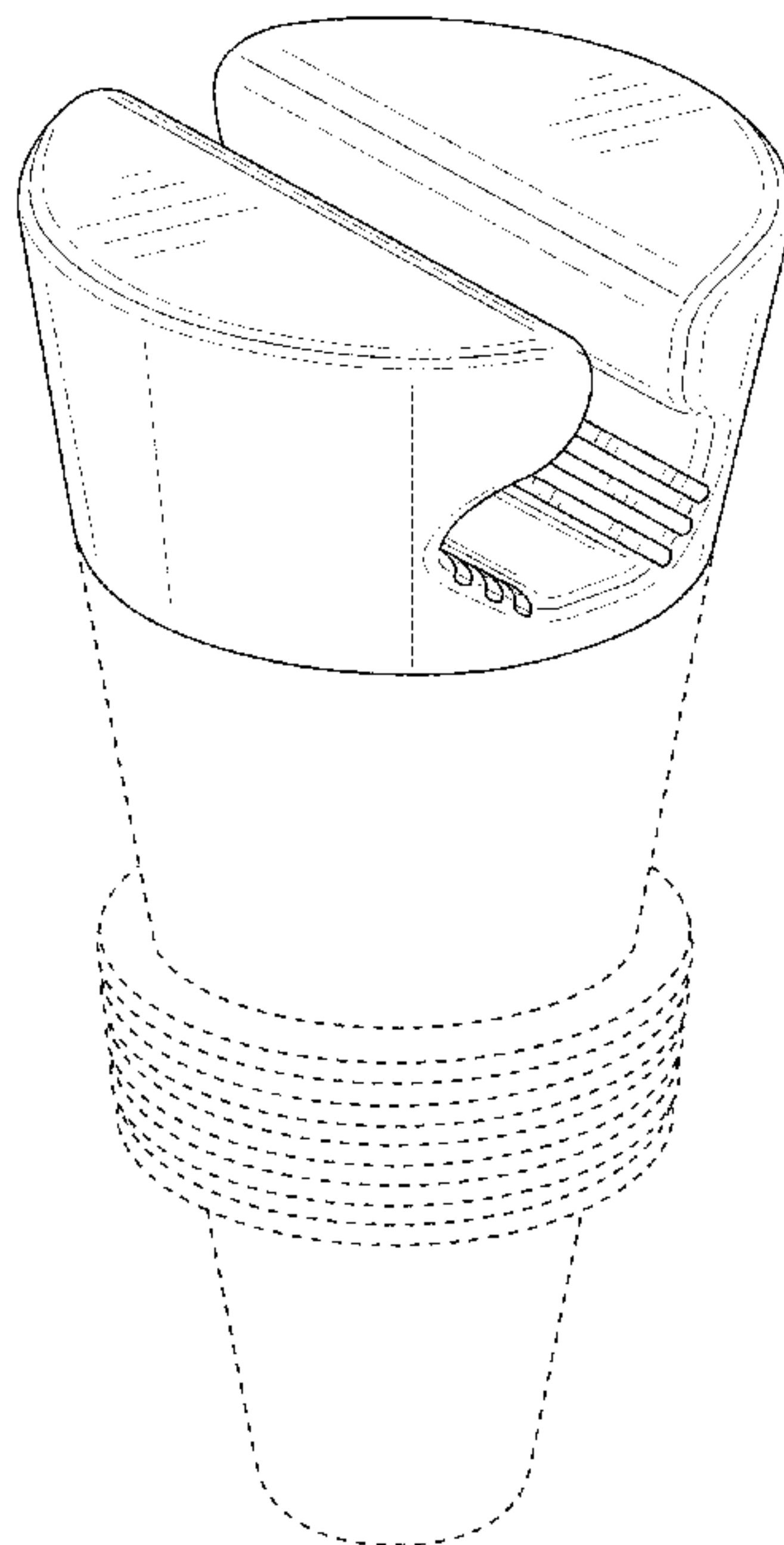
FIG. 1 is a top-front perspective view of a bottle stopper showing the new design;  
FIG. 2 is a front plan view thereof;  
FIG. 3 is a left plan view thereof;  
FIG. 4 is a rear plan view thereof;  
FIG. 5 is a right plan view thereof;  
FIG. 6 is a top plan thereof; and,  
FIG. 7 is a bottom plan thereof.  
In the drawings, the broken lines showing portions of a bottle stopper depict environment and form no part of the claim.

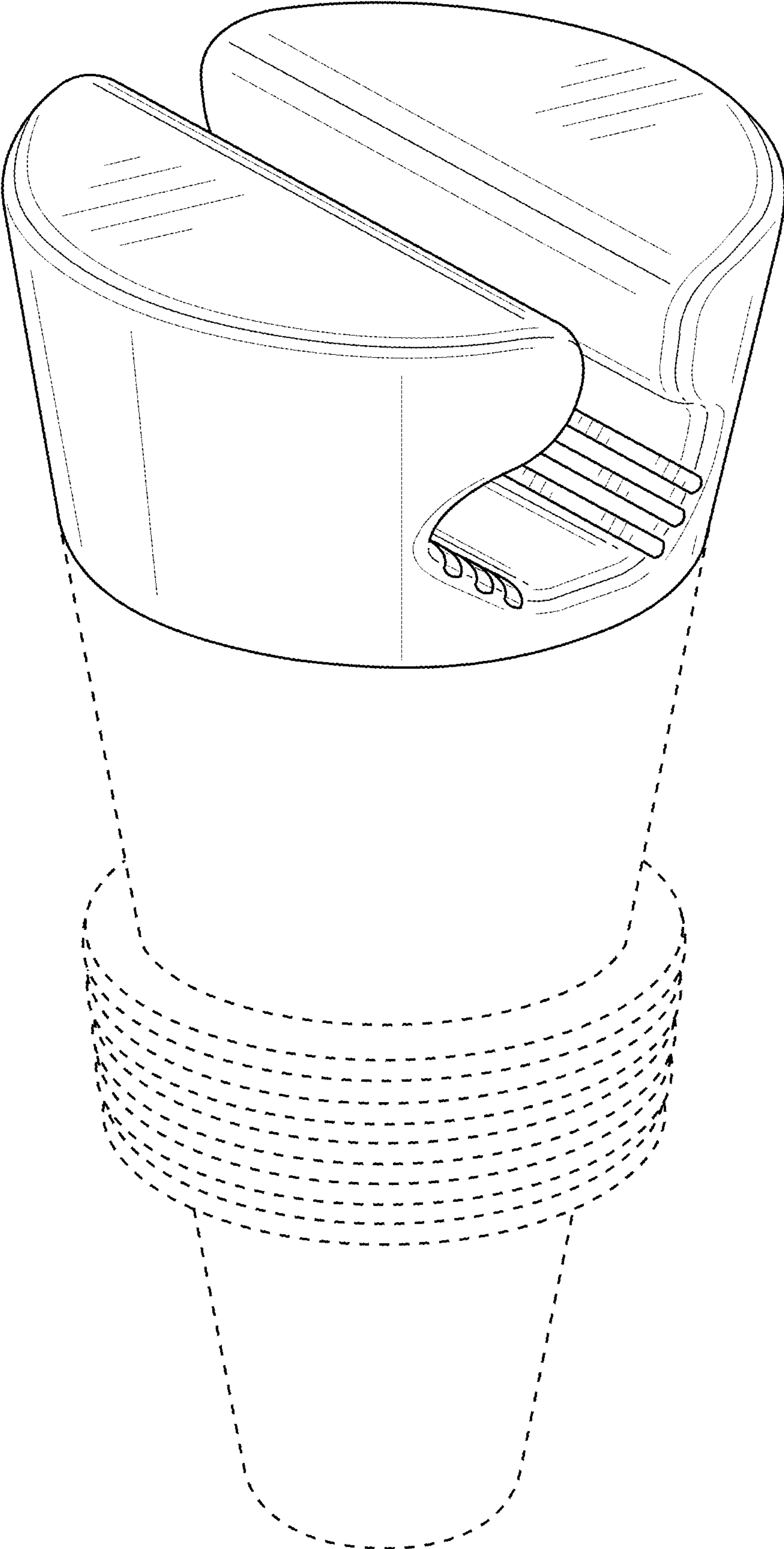
(56) **References Cited**

**U.S. PATENT DOCUMENTS**

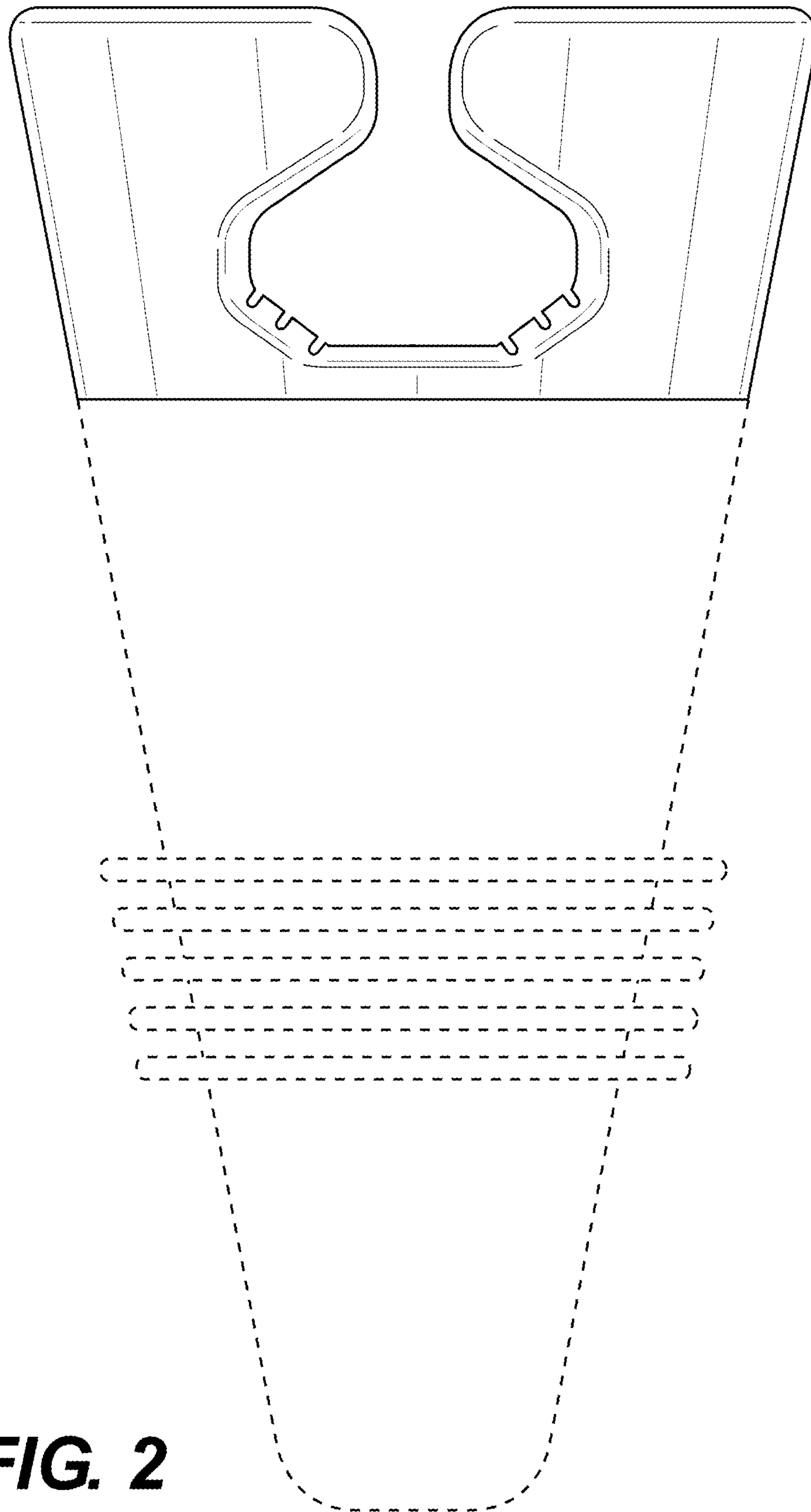
- D136,002 S \* 7/1943 Mas ..... D7/396.2
- D179,331 S \* 11/1956 Terwilliger ..... D9/439
- D198,107 S \* 4/1964 McCulloch ..... D9/439
- D226,172 S \* 1/1973 McElvy ..... D7/555
- D240,022 S \* 5/1976 Laurizio ..... D9/439
- D296,524 S \* 7/1988 Schneider ..... D9/439
- 4,915,243 A \* 4/1990 Tatsumi ..... B29C 43/146  
215/247
- D328,033 S \* 7/1992 DiGuseppi ..... D9/435
- 5,845,797 A \* 12/1998 Sudo ..... B65D 39/00  
215/247
- D619,656 S \* 7/2010 Trombly ..... D19/77

**1 Claim, 7 Drawing Sheets**

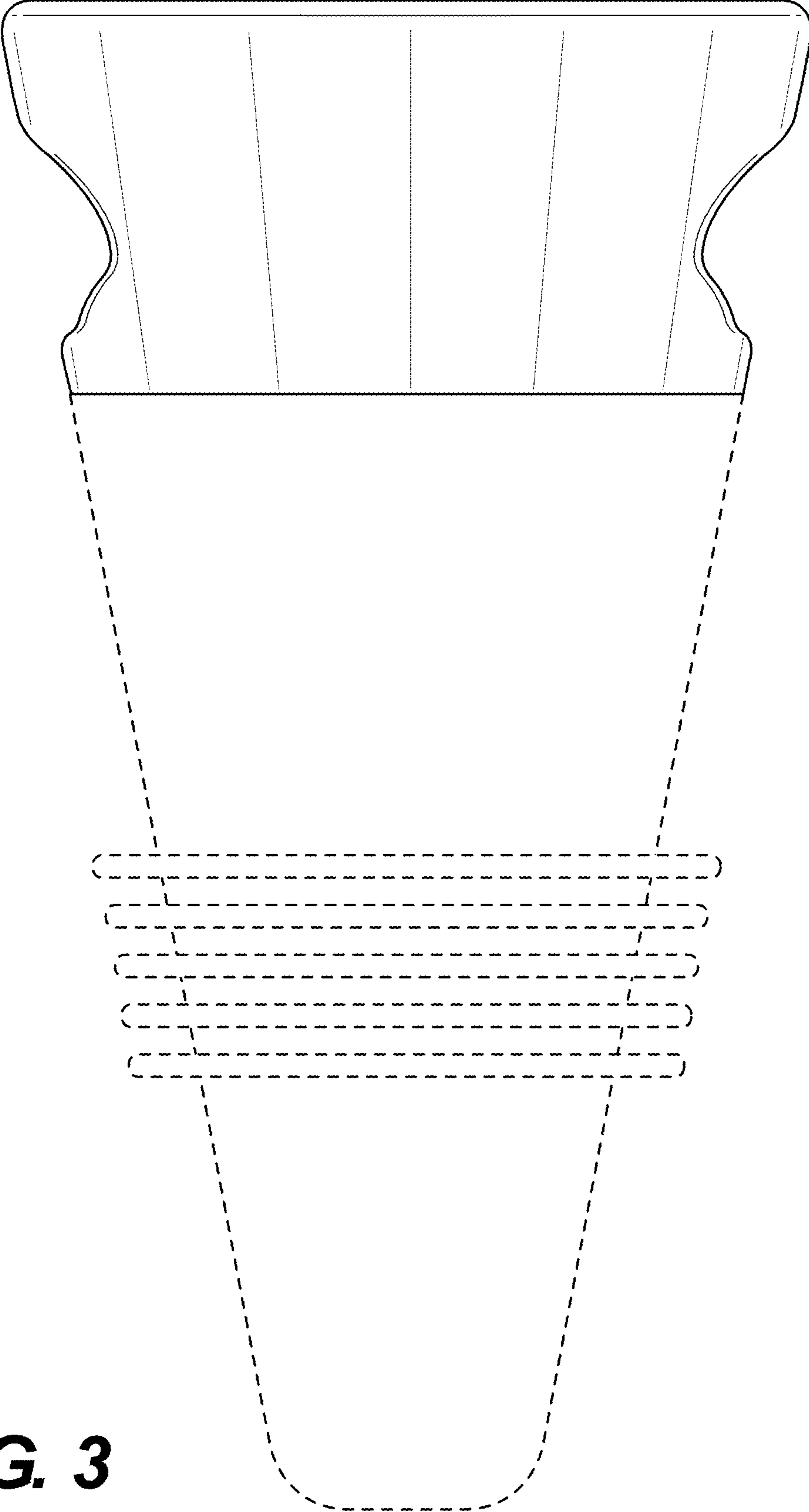




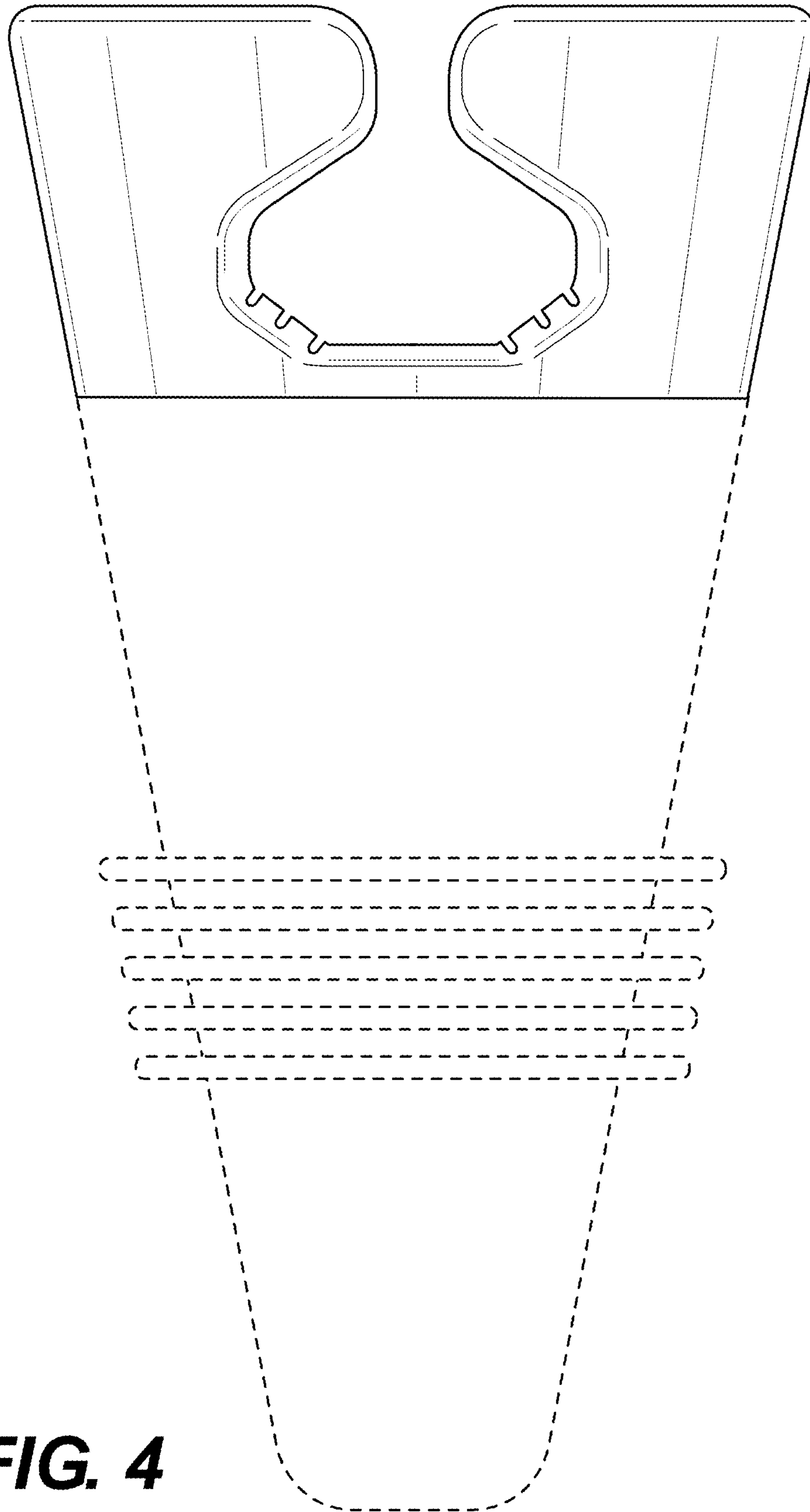
**FIG. 1**



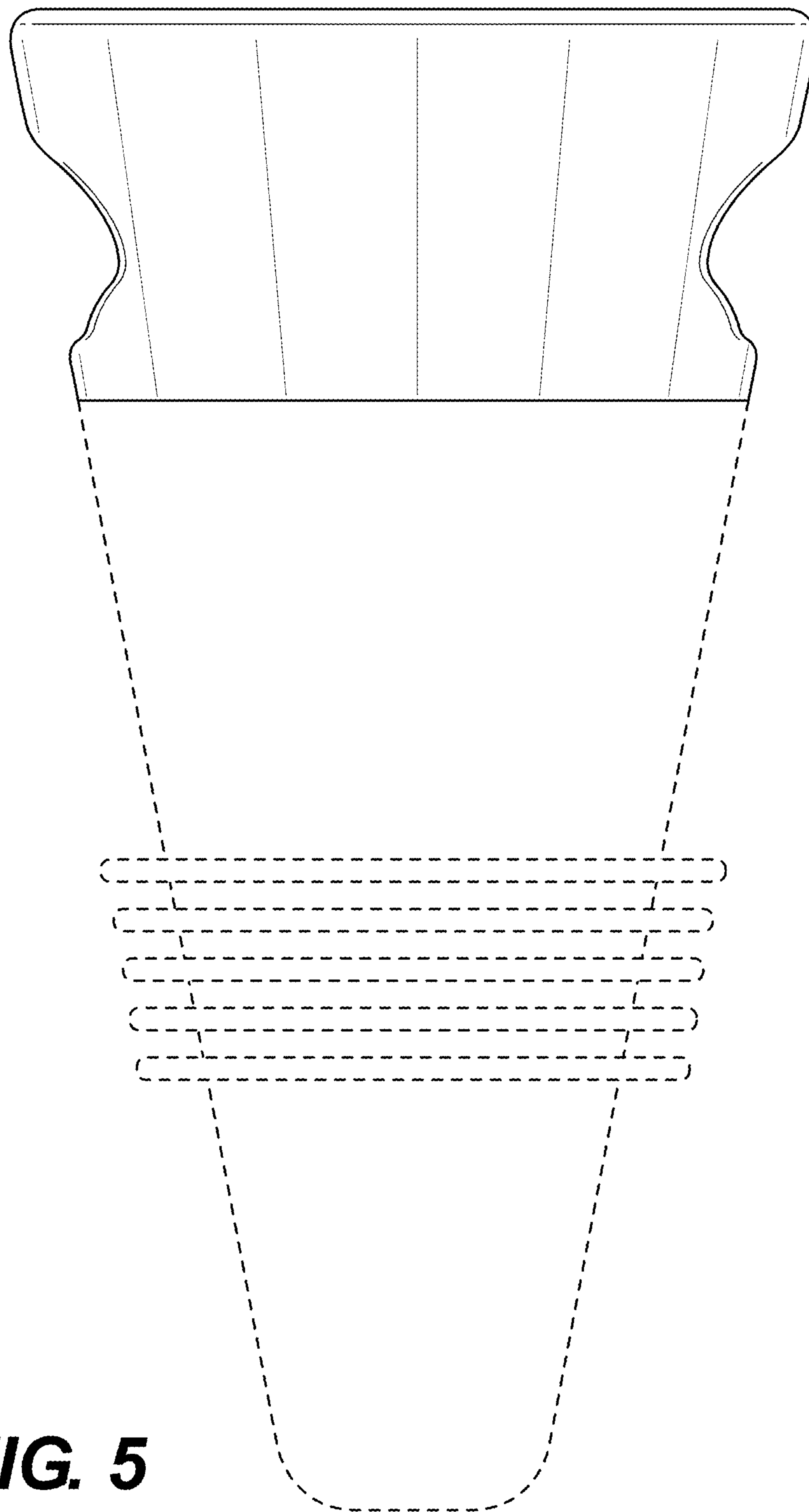
**FIG. 2**



**FIG. 3**

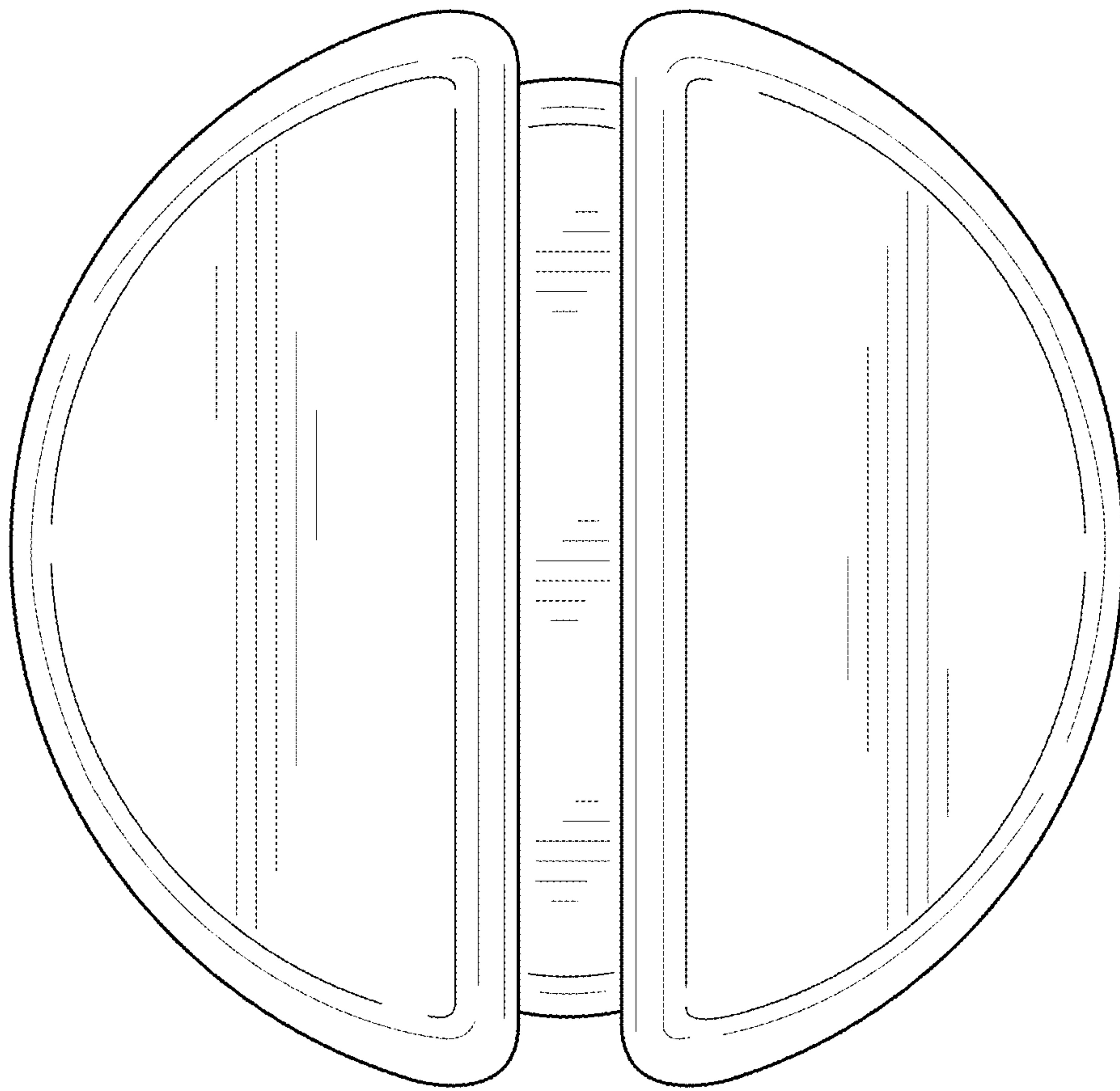


**FIG. 4**

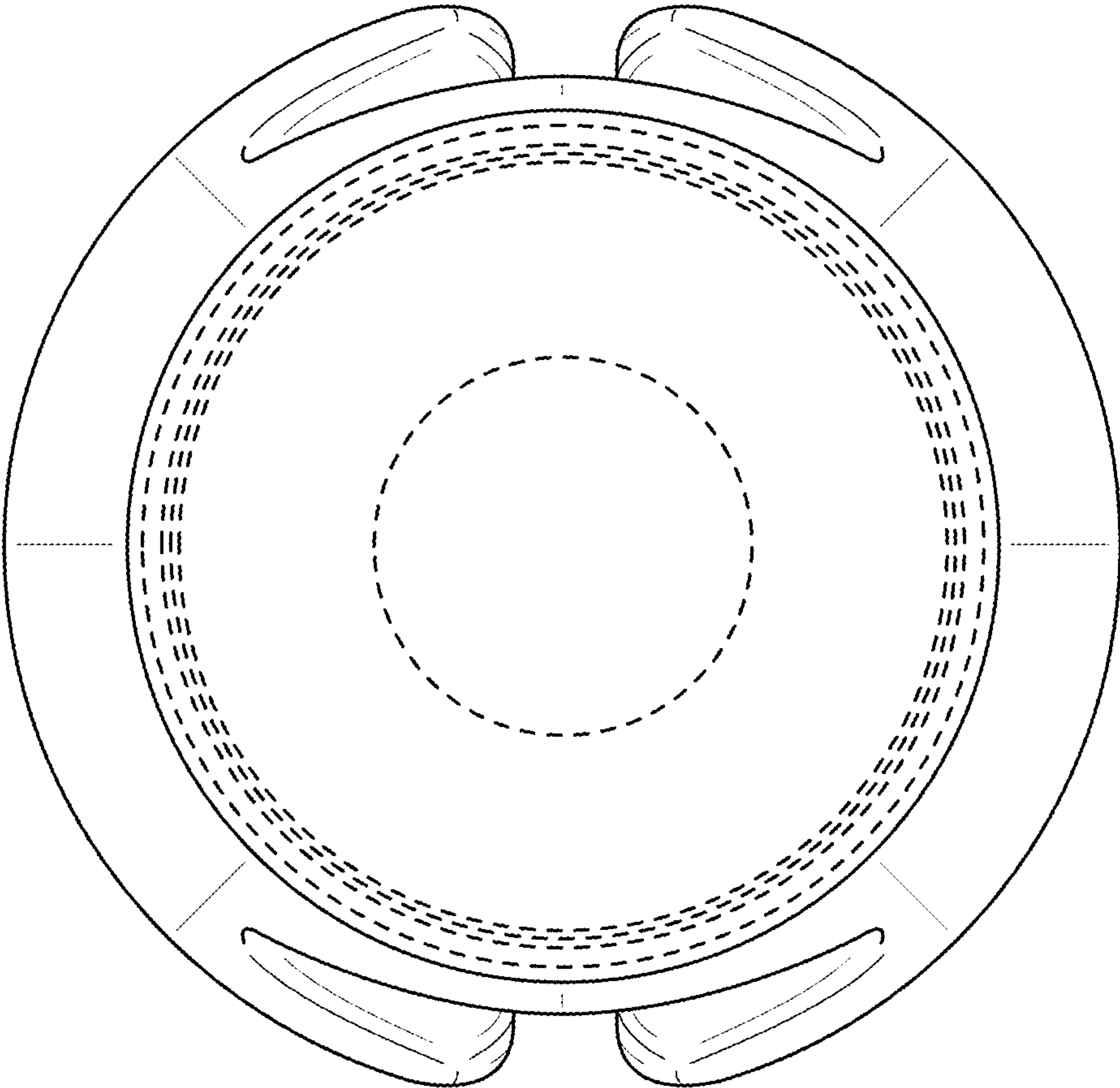


**FIG. 5**





**FIG. 6**



**FIG. 7**