



US00D820083S

(12) **United States Design Patent**  
**Daley et al.**

(10) **Patent No.:** **US D820,083 S**  
(45) **Date of Patent:** **\*\* \*Jun. 12, 2018**

(54) **BOTTLE CAP**

(71) Applicant: **CVS Pharmacy, Inc.**, Woonsocket, RI (US)

(72) Inventors: **Bennett P. Daley**, Waltham, MA (US); **Ryan Neil Peter Hall**, Clinton, MA (US); **Michael David Miller**, Tewksbury, MA (US); **Daniel Nelsen**, Central Falls, RI (US); **Peter Rezac**, Sterling, MA (US); **Timothy Andrew Vanderpoel**, Hudson, MA (US)

(73) Assignee: **CVS Pharmacy, Inc.**, Woonsocket, RI (US)

(\*) Notice: This patent is subject to a terminal disclaimer.

(\*\*) Term: **15 Years**

(21) Appl. No.: **29/583,549**

(22) Filed: **Nov. 7, 2016**

(51) **LOC (11) Cl.** ..... **09-07**

(52) **U.S. Cl.**  
USPC ..... **D9/435**

(58) **Field of Classification Search**  
USPC ..... D7/300, 396.2, 511, 629; D9/434, 435, D9/439, 440, 443, 445, 499, 504, 744, D9/745, 751

(Continued)

(56) **References Cited**

**U.S. PATENT DOCUMENTS**

2,776,066 A 1/1957 Thornton  
3,252,492 A \* 5/1966 Marchant ..... B65D 47/0885  
215/10

(Continued)

**OTHER PUBLICATIONS**

Grumpy Foot. Square Bottle by Ex-Apple Engineers. 2017 [earliest online date], [site visited Sep. 7, 2017]. Available from Internet, <URL:https://www.grumpyfoot.com/square-bottle-by-former-apple-engineers/>. (Year: 2017).\*

(Continued)

*Primary Examiner* — Robert M. Spear

*Assistant Examiner* — Darcey E Heflin

(74) *Attorney, Agent, or Firm* — Patent Law Works LLP

(57) **CLAIM**

The ornamental design for a bottle cap, as shown and described.

**DESCRIPTION**

FIG. 1 is a top, front, and left perspective view of a bottle cap showing the new design.

FIG. 2 is a top, left, and rear perspective view of the bottle cap showing the new design.

FIG. 3 is a top, front, and right perspective view of the bottle cap showing the new design.

FIG. 4 is a bottom, rear, and right perspective view of the bottle cap showing the new design.

FIG. 5 is a bottom, front, and left perspective view of the bottle cap showing the new design.

FIG. 6 is a top view of the bottle cap showing the new design.

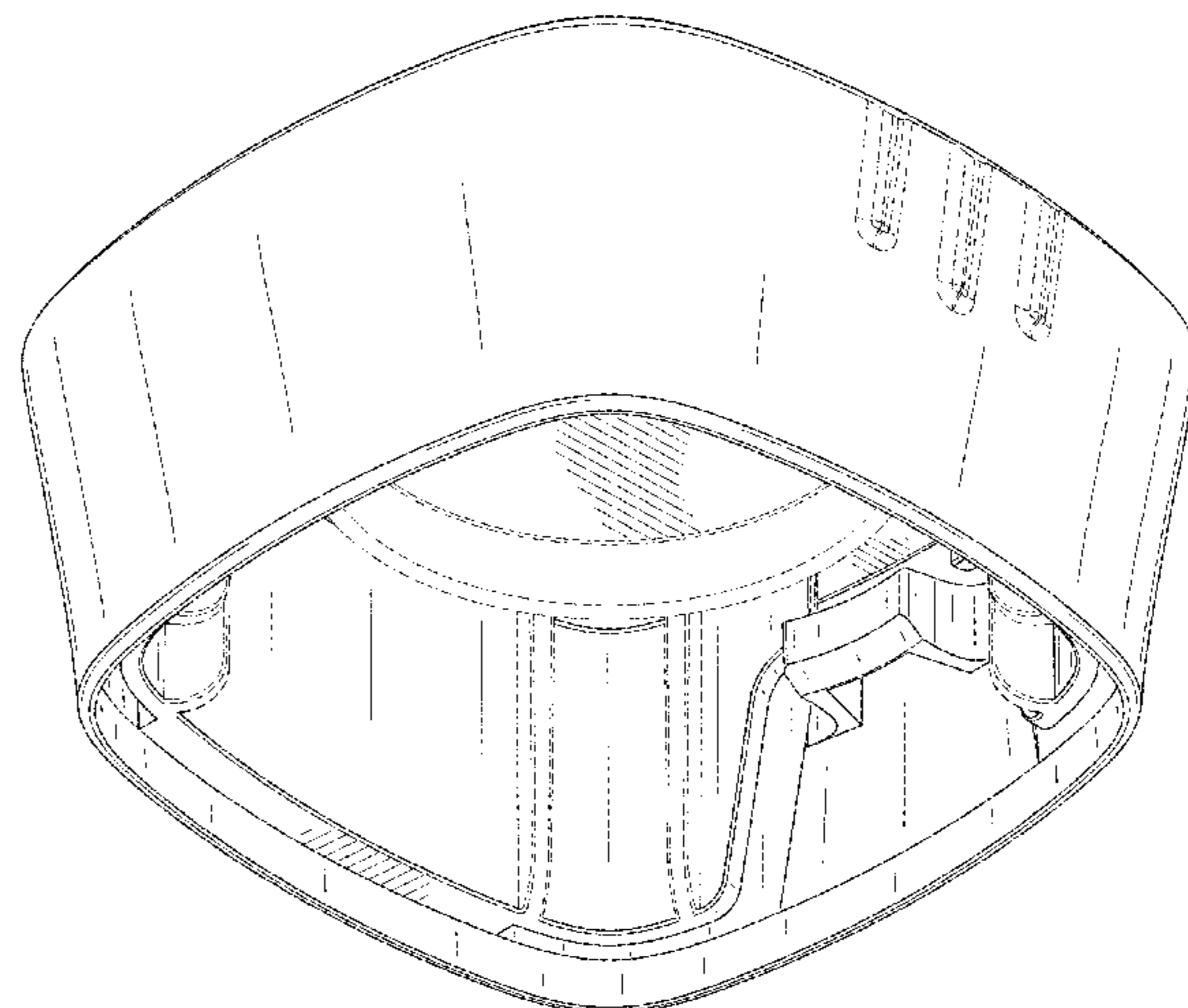
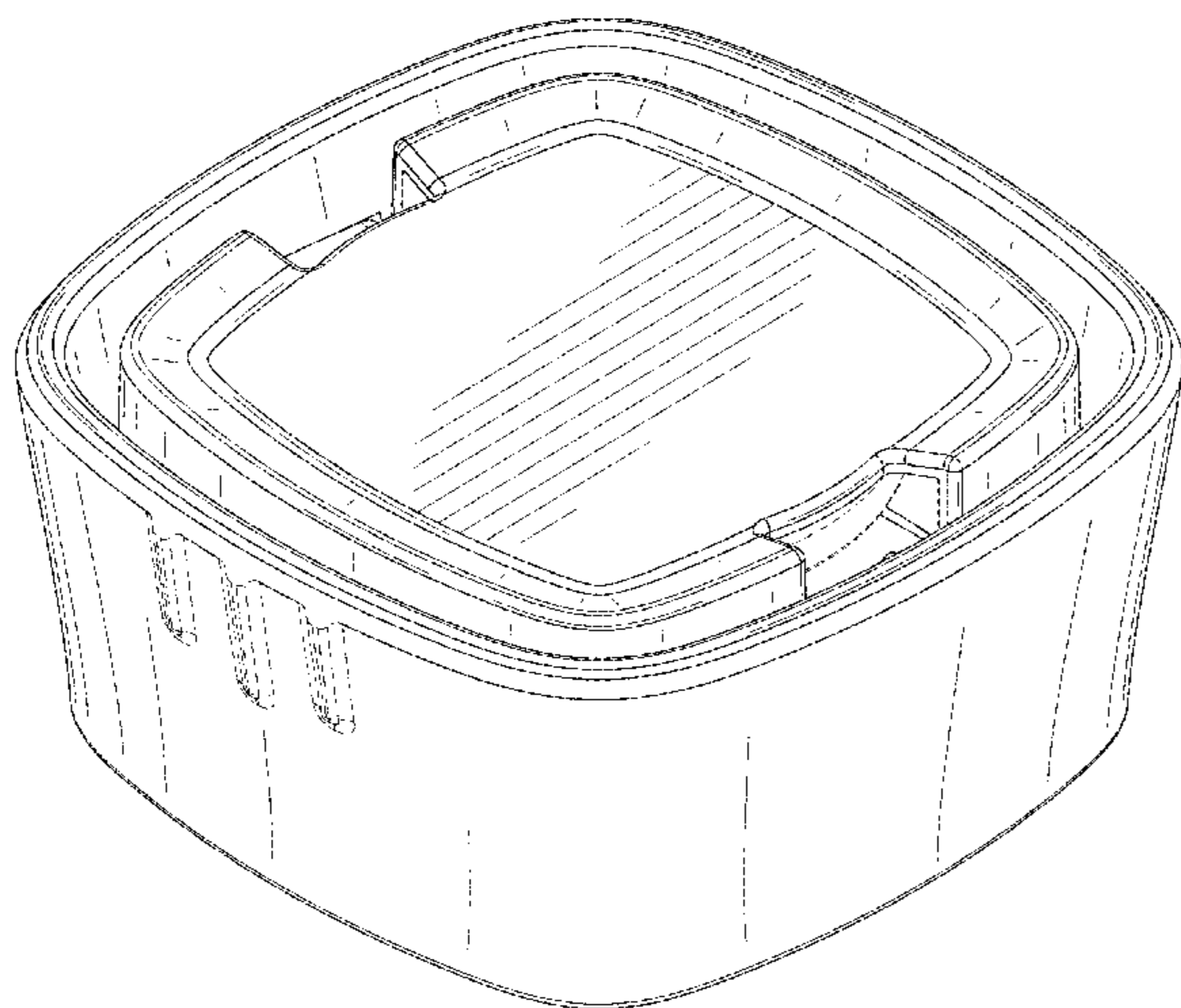
FIG. 7 is a bottom view of the bottle cap showing the new design.

FIG. 8 is a left side view of the bottle cap showing the new design (the right side view being a mirror image thereof); and,

FIG. 9 is a front view of the bottle cap showing the new design (the rear view being a mirror image thereof).

Within the drawings, the even spaced dash-dash lines, and the areas within the dash-dash lines, show unclaimed portions of the bottle cap and form no part of the claimed design.

**1 Claim, 8 Drawing Sheets**



(58) **Field of Classification Search**  
 CPC ... B65D 2251/07; B65D 50/045; B65D 83/04  
 See application file for complete search history.

(56) **References Cited**

U.S. PATENT DOCUMENTS

3,405,831	A	10/1968	Hudson	
3,794,200	A	2/1974	Marks	
3,993,209	A	11/1976	Julian	
4,098,419	A	7/1978	Virog, Jr. et al.	
4,387,817	A	6/1983	Wiles et al.	
D360,134	S	7/1995	Snyder	
5,662,233	A	9/1997	Reid	
5,803,287	A	9/1998	Kusz	
6,123,212	A	9/2000	Russell et al.	
D442,868	S	5/2001	Gavin	
D456,272	S	4/2002	Sadeghi et al.	
D481,640	S	11/2003	Biesecker	
6,802,418	B2	10/2004	Atkinson et al.	
D498,143	S	11/2004	Rashid	
D531,913	S	11/2006	Heisner et al.	
D539,651	S	4/2007	Snyder	
D540,669	S *	4/2007	George	D7/392.1
D576,876	S *	9/2008	Mount	D9/449
D587,586	S	3/2009	Patzak	
D619,473	S	7/2010	Biesecker et al.	
D620,369	S	7/2010	Servaire et al.	
D622,591	S *	8/2010	Biesecker	D9/435
D630,518	S	1/2011	Biesecker et al.	
D639,669	S *	6/2011	Adler	D9/435
D654,799	S	2/2012	Liu	
D678,074	S	3/2013	De France	
D691,054	S *	10/2013	Olsson	D9/435
8,616,407	B2 *	12/2013	Sawicki	B65D 43/169 215/237
D698,250	S *	1/2014	Wade	D9/435

D698,251	S *	1/2014	Wade	D9/435
D733,787	S	7/2015	Baker et al.	
D733,788	S	7/2015	Baker et al.	
D736,635	S	8/2015	Sadler et al.	
D739,759	S	9/2015	Warner et al.	
D742,242	S	11/2015	McDaniel et al.	
D754,240	S *	4/2016	Samuels	D16/219
D756,234	S	5/2016	Orset	
D765,508	S *	9/2016	Wu	D9/439
D772,659	S *	11/2016	Middleton	D7/629
D776,544	S	1/2017	Staab	
D786,086	S *	5/2017	Miller	D9/560
D786,674	S *	5/2017	Miller	D9/446
D786,683	S *	5/2017	Miller	D9/529
D792,233	S *	7/2017	Miller	D9/560
2004/0173562	A1	9/2004	Wolfe	
2006/0255041	A1 *	11/2006	Parks	B65D 21/0219 220/301
2007/0034595	A1	2/2007	Foster et al.	
2009/0152229	A1	6/2009	Falzoni	
2009/0223985	A1	9/2009	Carmody et al.	
2009/0266736	A1	10/2009	Sprishen et al.	
2011/0049085	A1	3/2011	Lembke	
2011/0094990	A1	4/2011	Sprishen et al.	
2012/0152882	A1	6/2012	Tune	
2015/0329232	A1	11/2015	Brozell et al.	
2017/0057711	A1 *	3/2017	Miller	B65D 50/045

OTHER PUBLICATIONS

Lulusoso. Perfume Bottle Cap. May 29, 2012 [earliest online date], [site visited Sep. 7, 2017]. Available from Internet, <URL:http://sell.lulusoso.com/selling-leads/1961487/Perfume-Bottle-Cap-Square-shape-Plastic-material.html>. (Year: 2012).\*

International Search Report and Written Opinion for PCT/US2017/059602, dated Feb. 1, 2018, 15 pgs.

\* cited by examiner

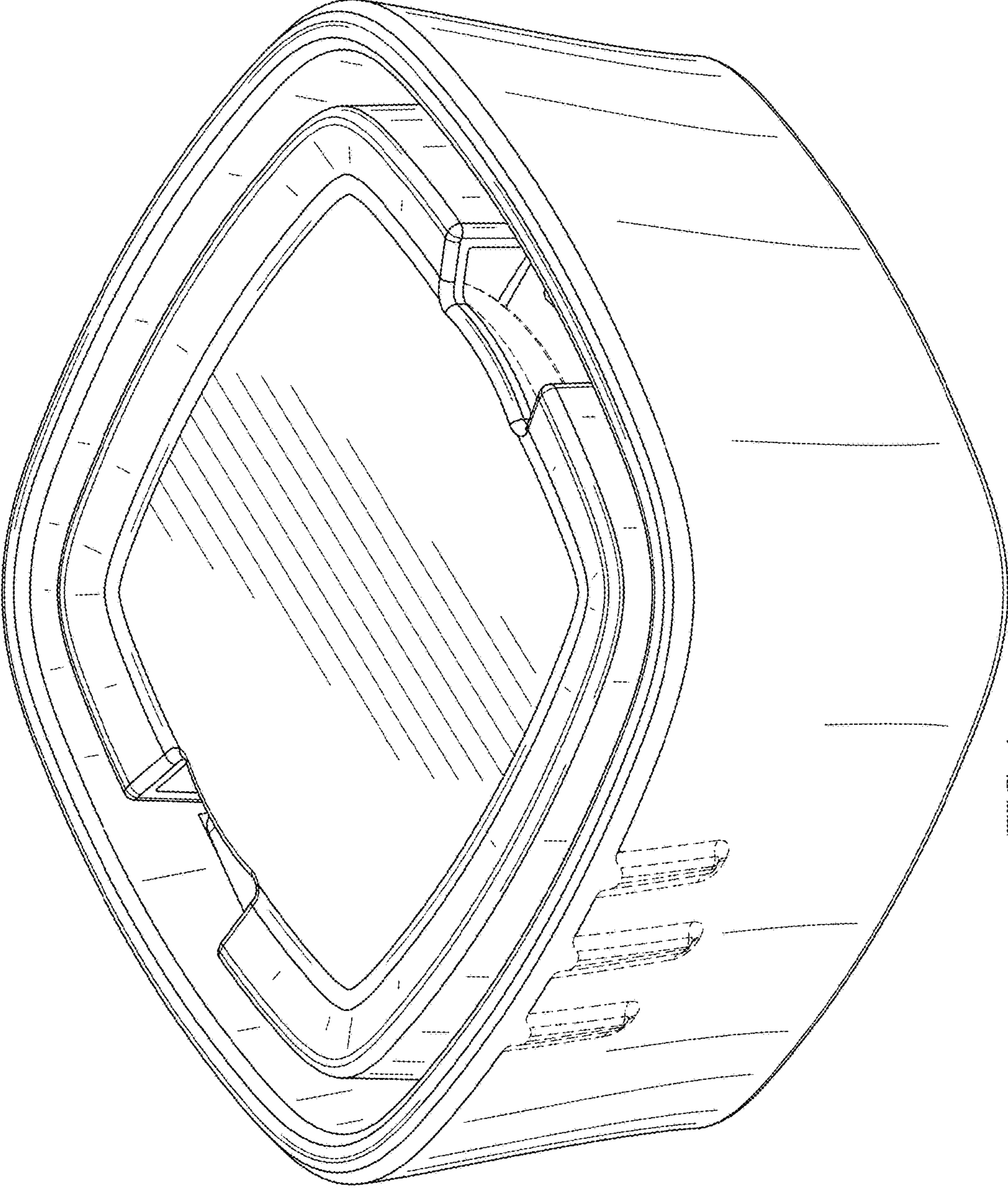


FIG. 1

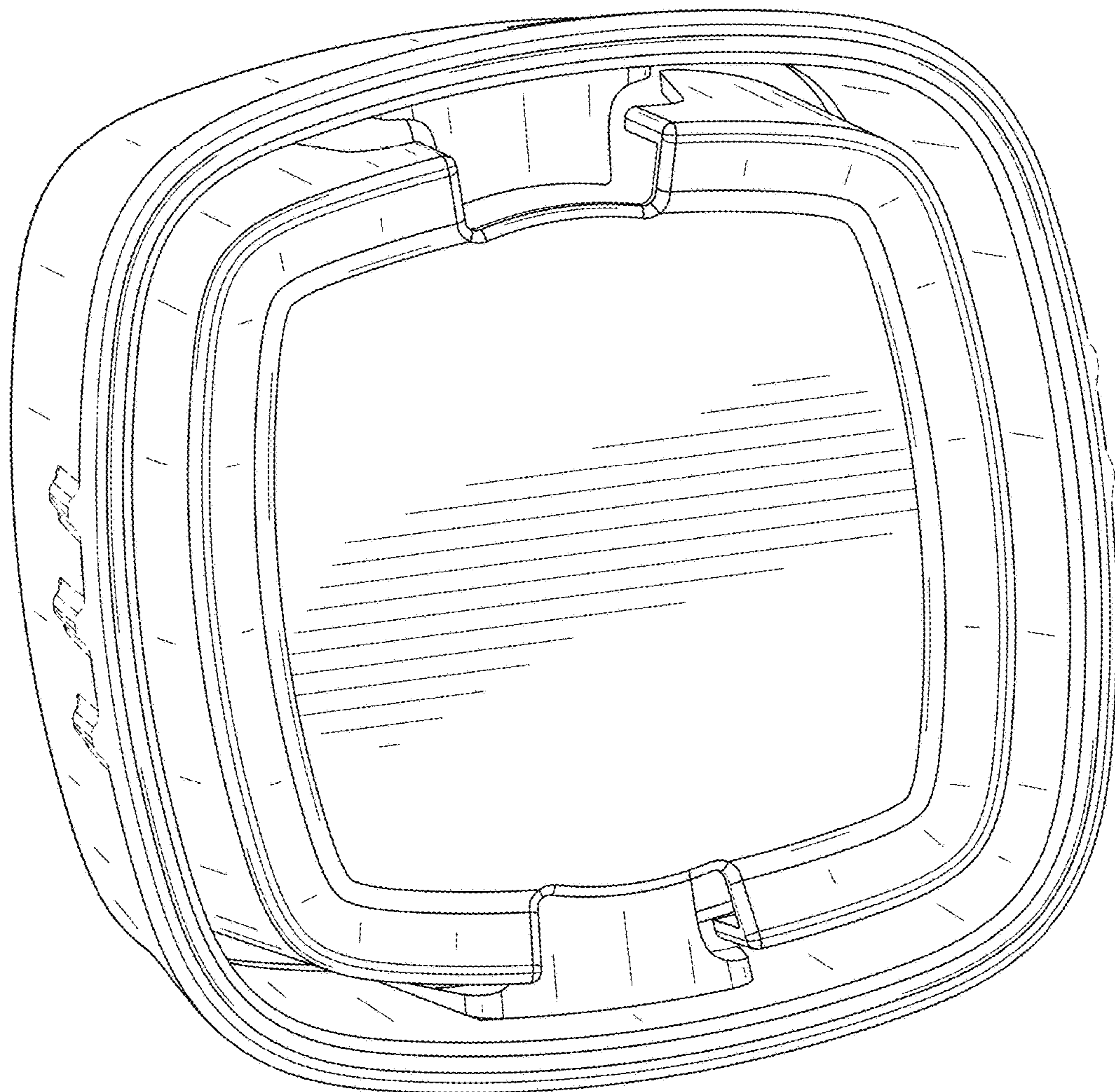


FIG. 2

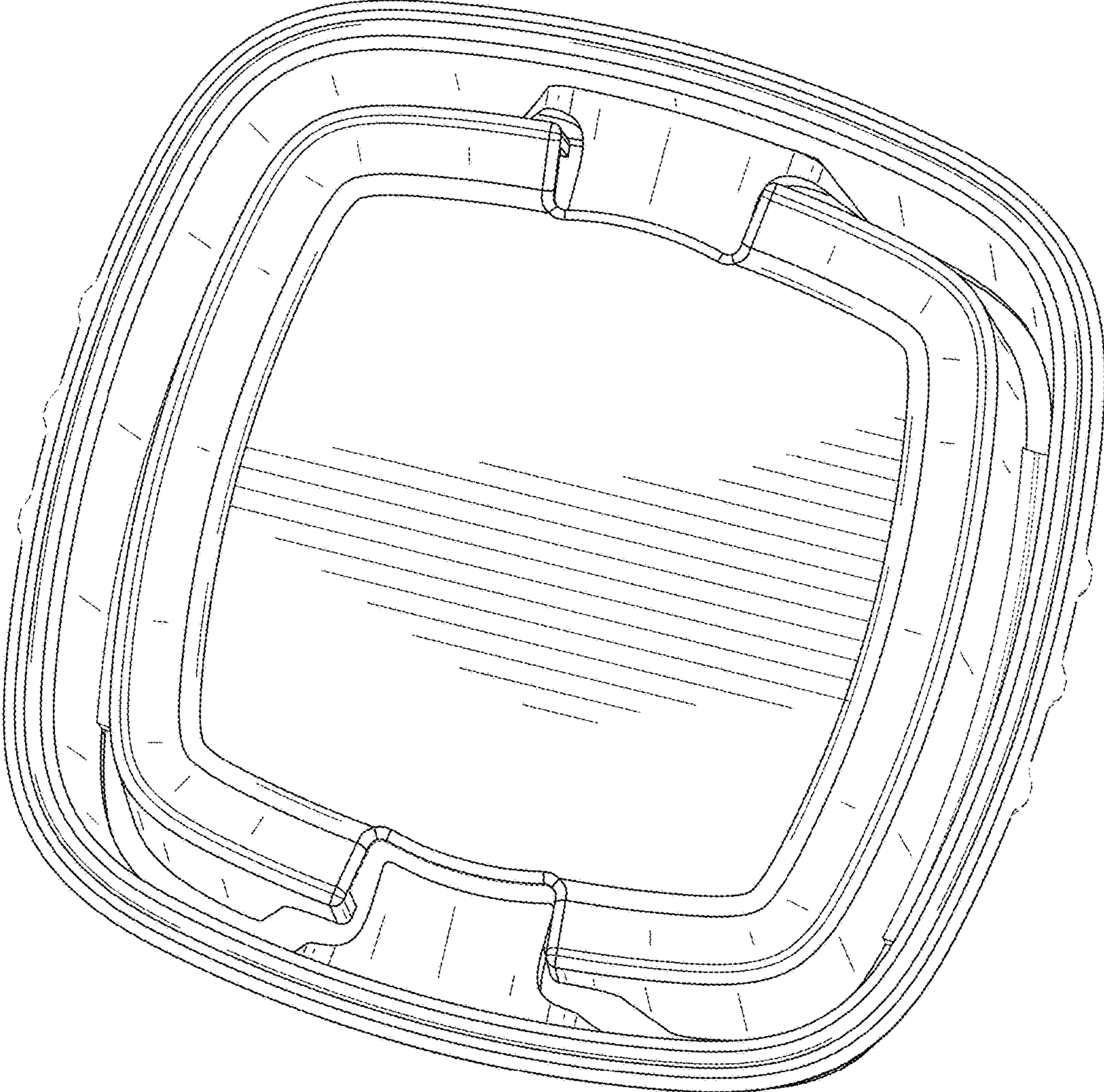


FIG. 3

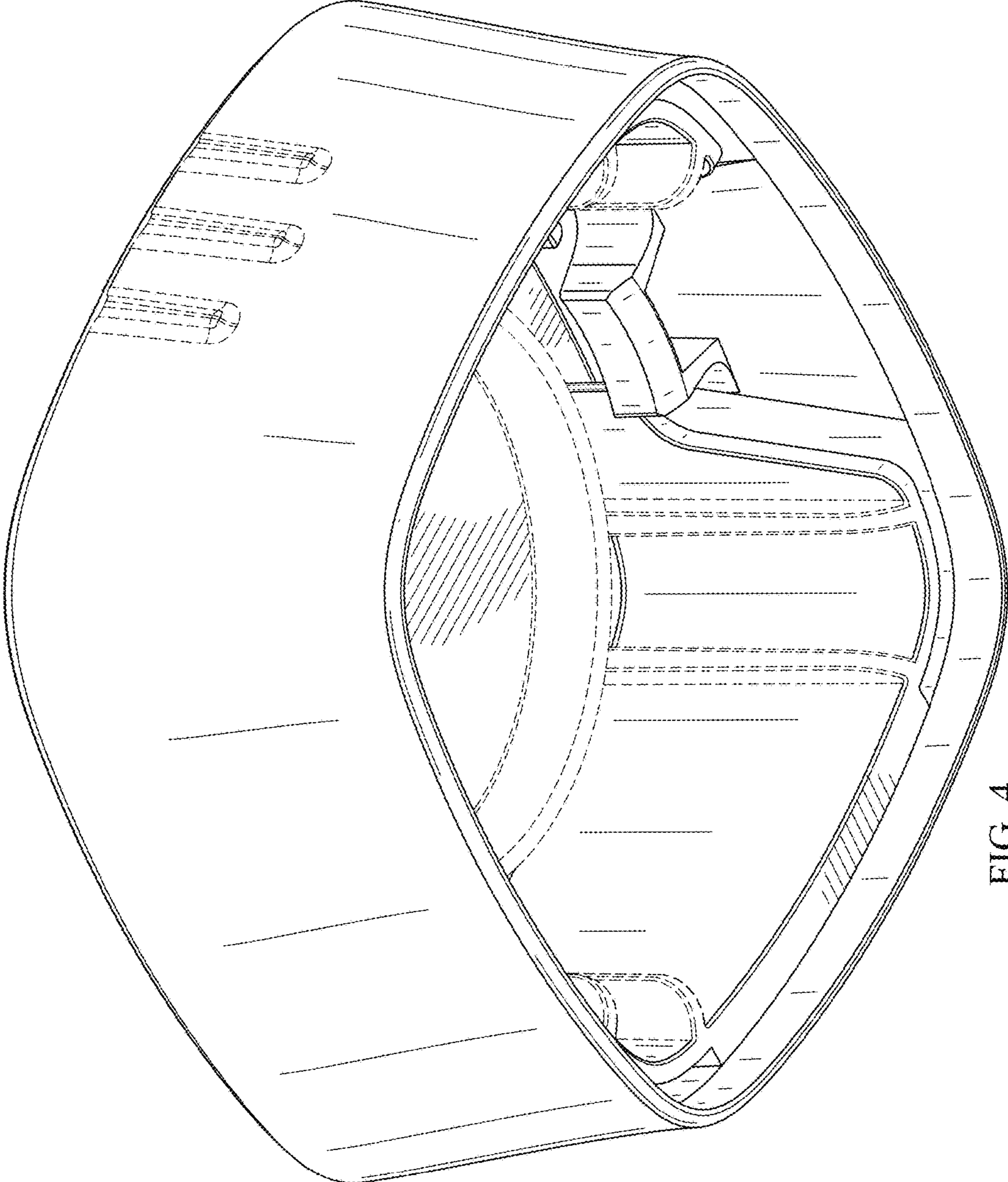


FIG. 4

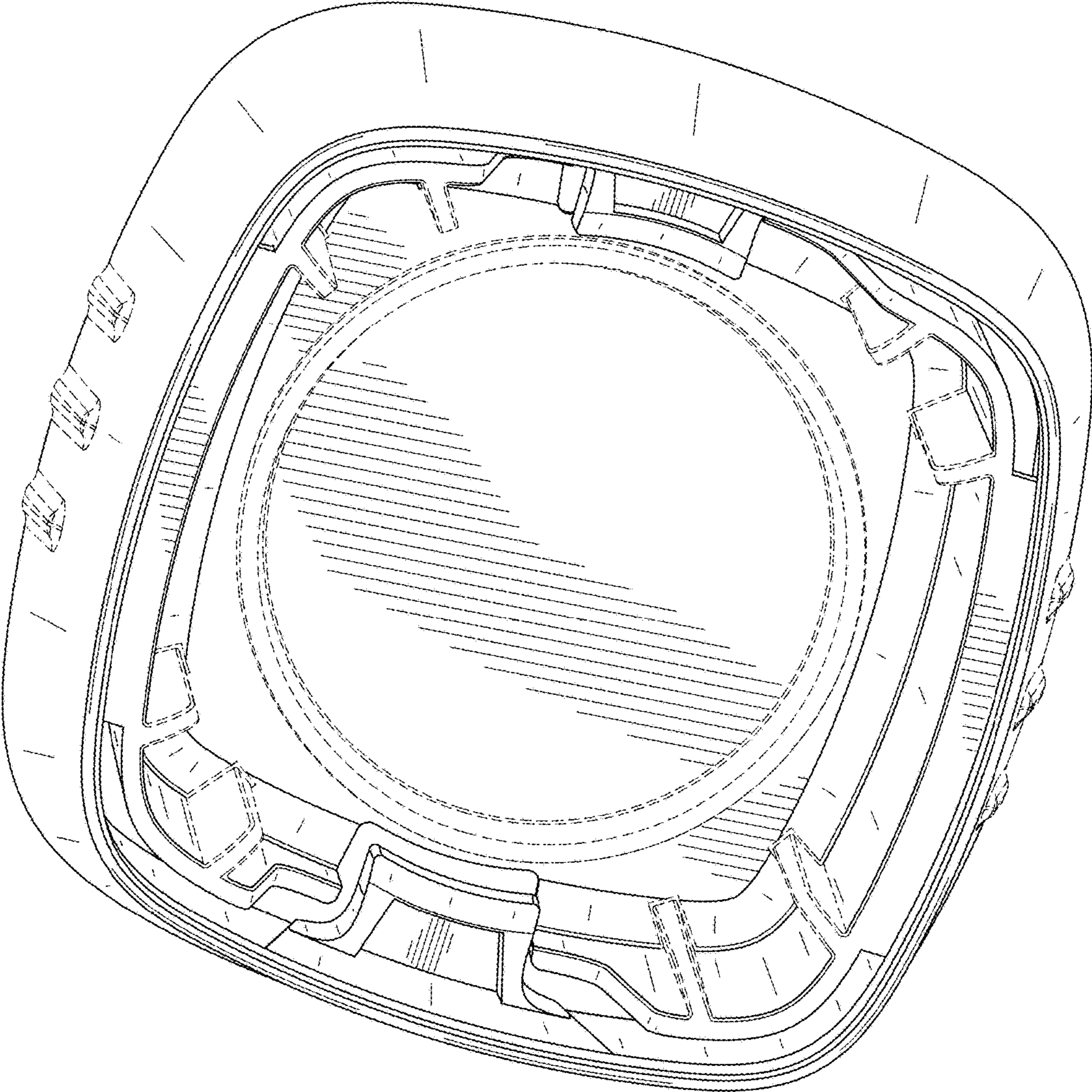


FIG. 5

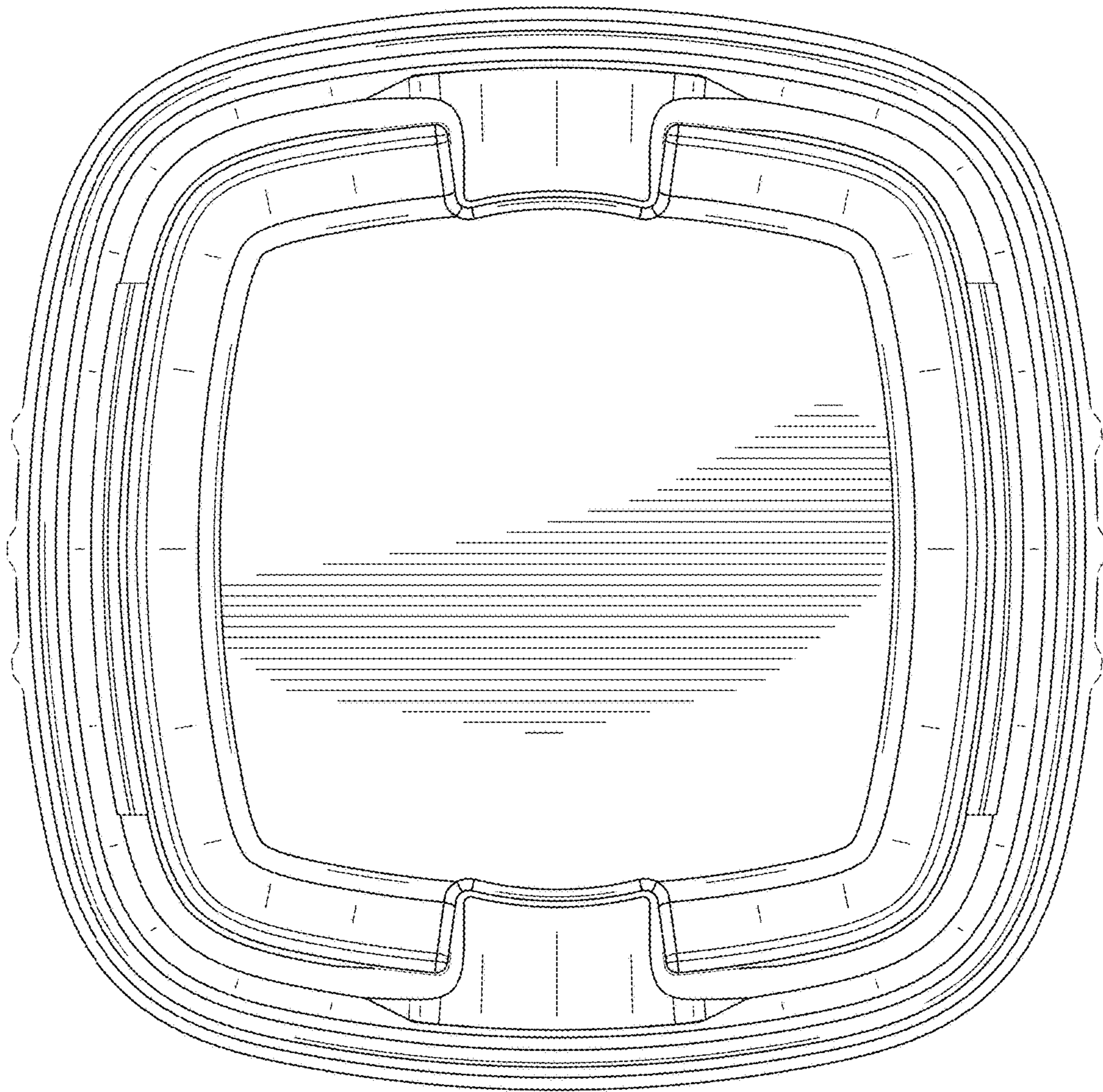


FIG. 6



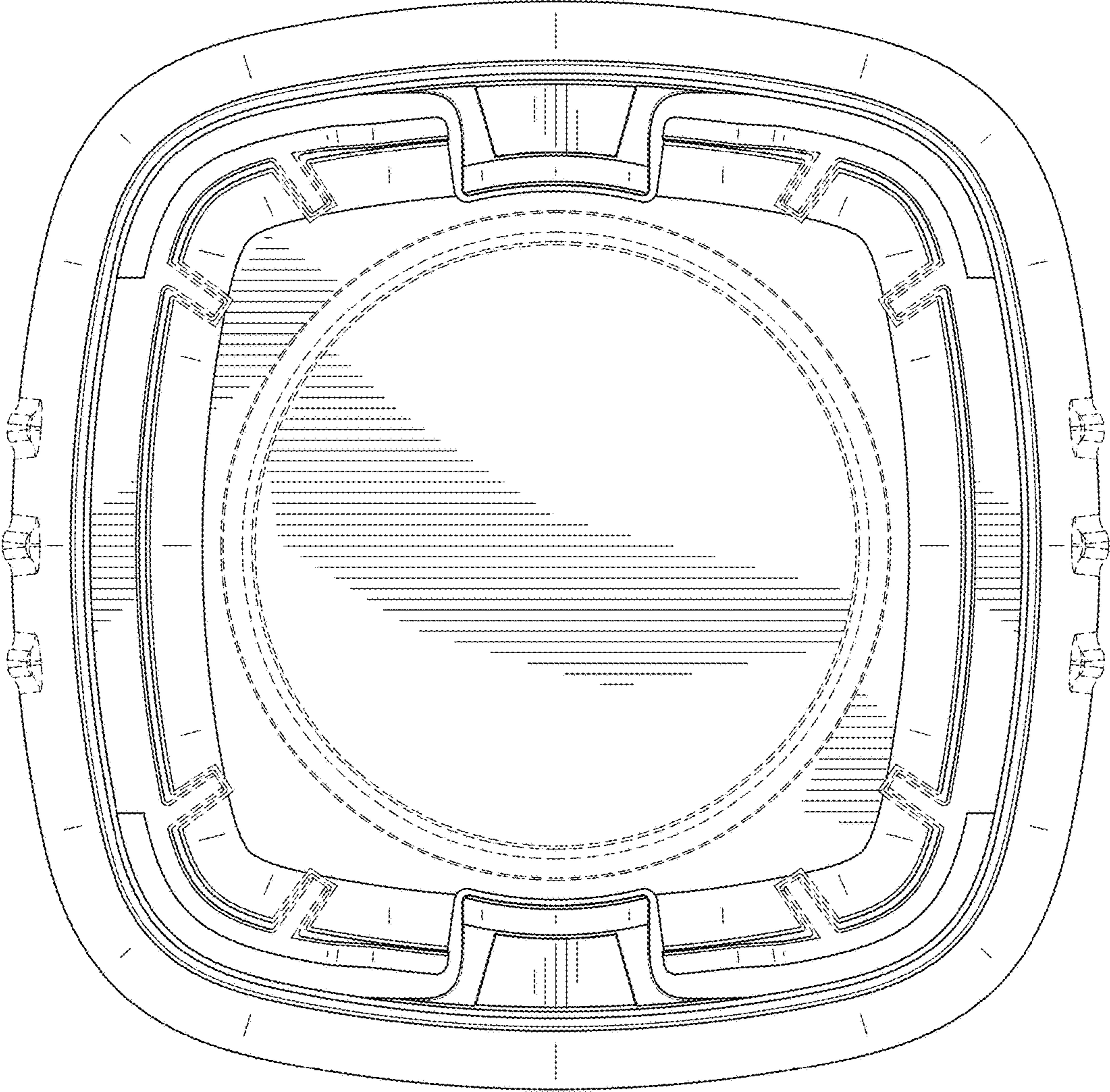


FIG. 7

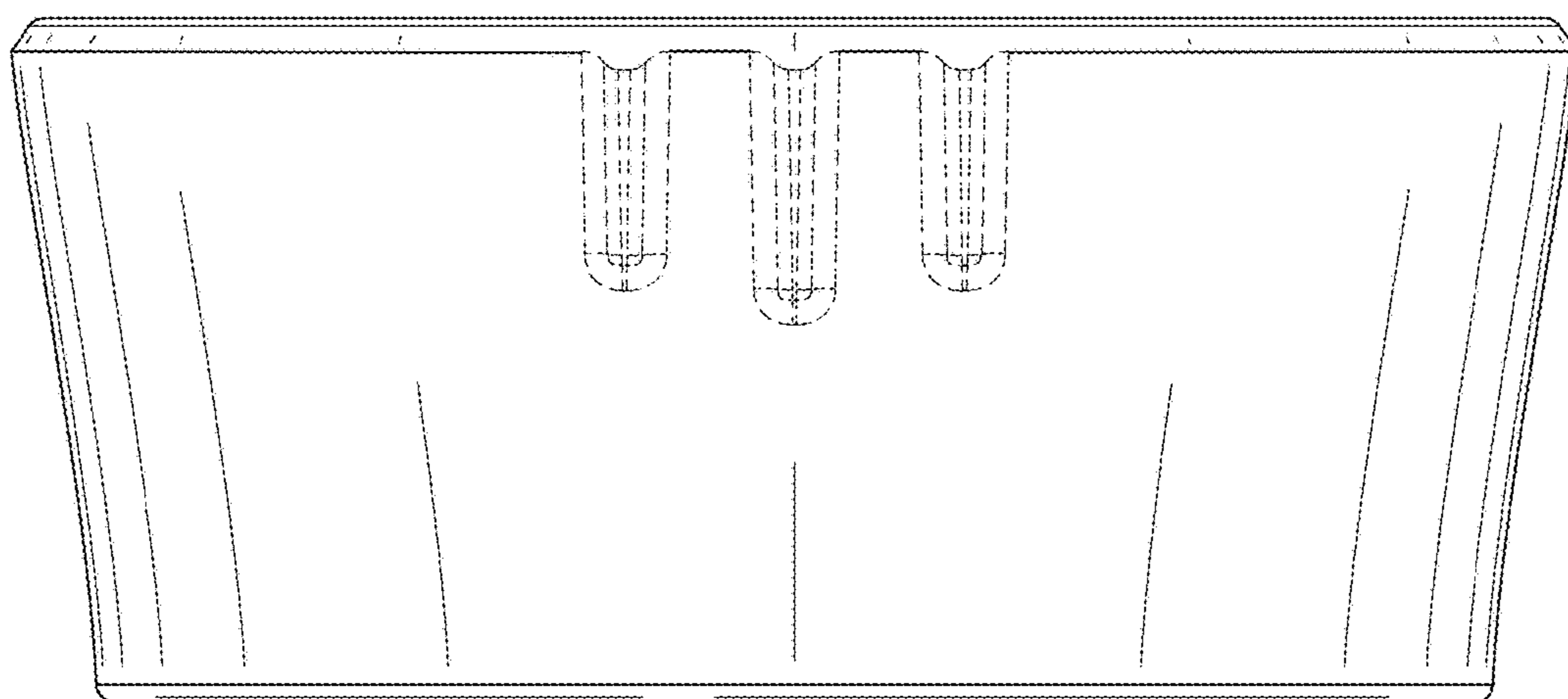


FIG. 8

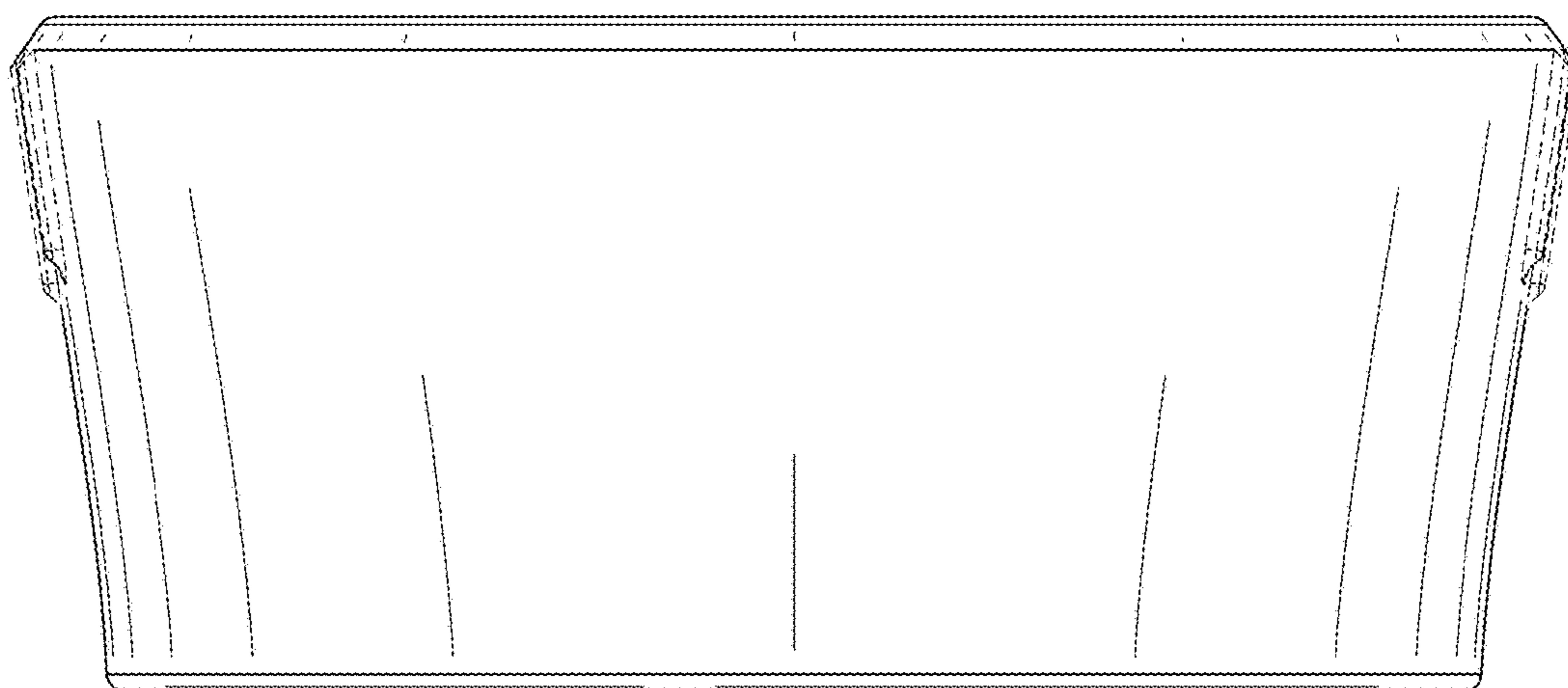


FIG. 9