



US00D820081S

(12) **United States Design Patent**
Wangtaveesab et al.

(10) **Patent No.:** **US D820,081 S**
(45) **Date of Patent:** **** Jun. 12, 2018**

(54) **CONFECTIONERY PACKAGE WITH SMALL FLAP**

(71) Applicant: **Intercontinental Great Brands LLC**,
East Hanover, NJ (US)

(72) Inventors: **Ornuma Wangtaveesab**, Lad Krabang
(TH); **Mary Jane Dela Pena Calma**,
Lad Krabang (TH)

(73) Assignee: **Intercontinental Great Brands LLC**,
East Hanover, NJ (US)

(**) Term: **15 Years**

(21) Appl. No.: **29/606,018**

(22) Filed: **Jun. 1, 2017**

Related U.S. Application Data

(62) Division of application No. 29/518,129, filed on Feb.
20, 2015, now Pat. No. Des. 792,784.

(51) **LOC (11) Cl.** **09-03**

(52) **U.S. Cl.**
USPC **D9/420**

(58) **Field of Classification Search**

USPC D9/414-425, 430-435, 499, 457, 456,
D9/447, 446, 737, 761; D7/392, 392.1,
D7/387, 397, 405, 601, 602, 608, 629,
D7/434, 436, 437, 438, 440, 444, 445,
D7/447, 499; D3/273, 299, 201, 205,
D3/206, 216, 232, 233, 270, 901, 318,
D3/319, 903, 230, 290, 203.5-203.8, 303,
D3/243; D20/22, 28; 206/457, 503, 508,
206/509, 551, 746, 784, 822, 581, 261,
206/265, 268, 271, 273, 362, 800, 526,
206/150, 147, 96, 242, 260, 264, 267,
206/460, 5, 5.1, 6, 37, 216; 229/406,
229/407, 902, 905, 906, 938, 461, 541,
229/124-126, 129.1, 87.18, 87.07, 800,
229/313, 225, 222, 212, 209, 208, 149;
150/108, 106

CPC B65D 5/2047; B65D 5/244; B65D 5/10;
B65D 5/2057; B65D 5/241; B65D
5/48048; B65D 5/6635; B65D 43/162;
B65D 43/165; B65D 85/60; B65D
5/0254; B65D 75/5838; B65D 85/00;
Y10S 229/902; Y10S 206/80; A24F
23/00; B60N 2/4666

See application file for complete search history.

(56) **References Cited**

U.S. PATENT DOCUMENTS

2,132,012 A * 10/1938 Berkowitz B65D 27/22
229/76
3,116,003 A * 12/1963 Warner B65D 5/5435
229/152

(Continued)

Primary Examiner — Cathron C Brooks

Assistant Examiner — W. A. Teddy Falloway

(74) *Attorney, Agent, or Firm* — Hoffmann & Baron, LLP

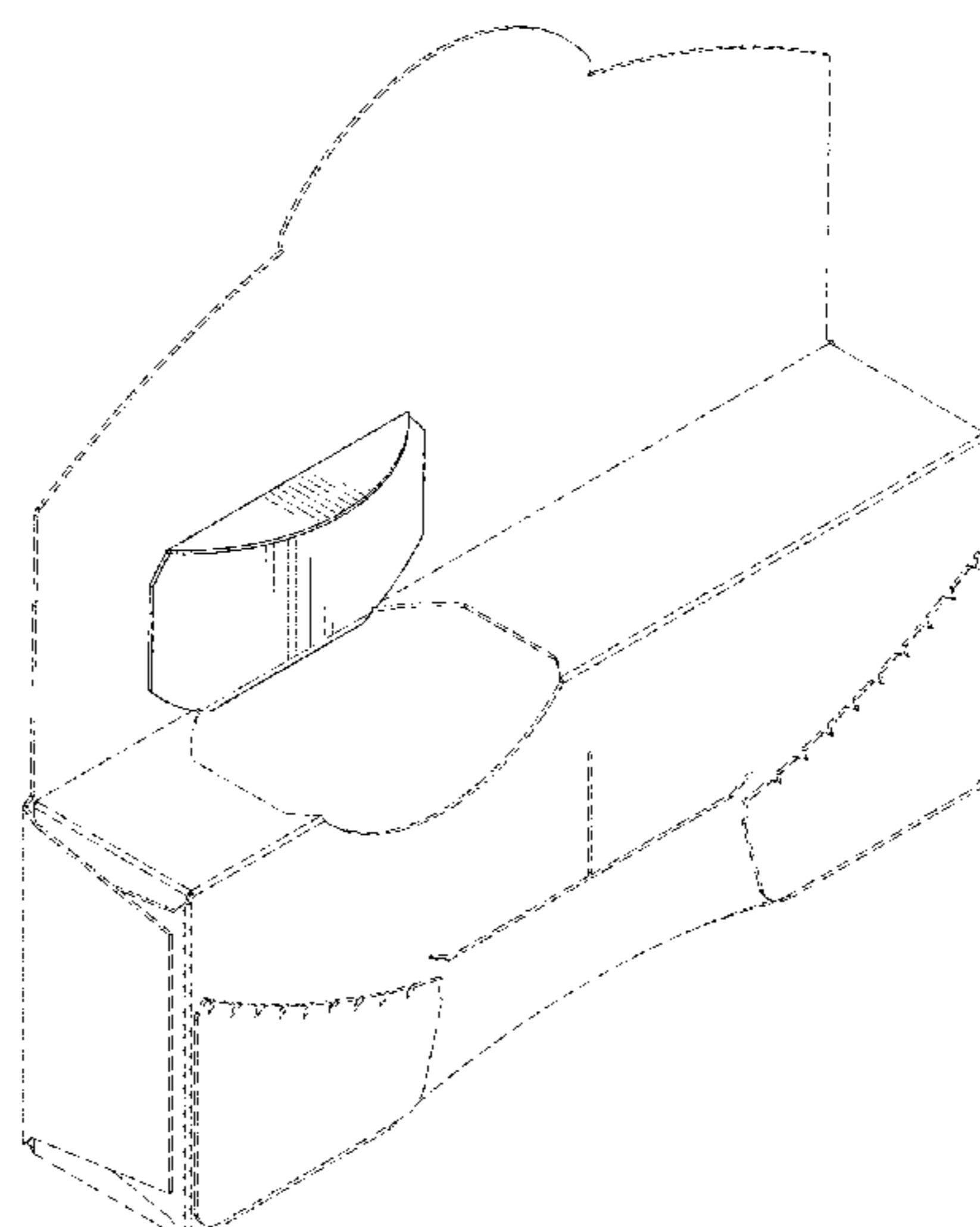
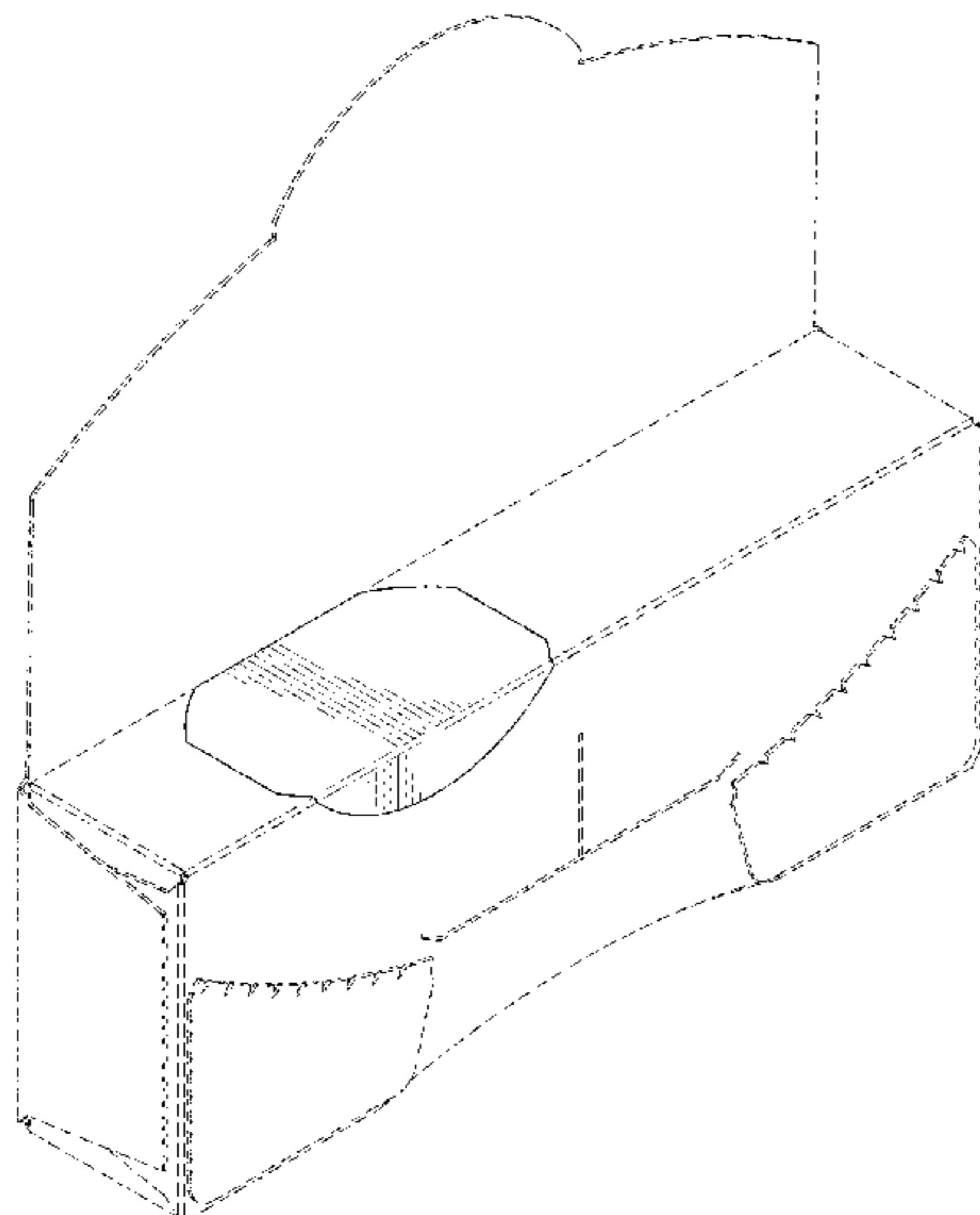
(57) **CLAIM**

The ornamental design for a confectionery package with
small flap, as shown and described.

DESCRIPTION

FIG. 1 is a front plan view of a confectionery package with
small flap, shown in an open configuration;
FIG. 2 is another front plan view thereof, shown in a closed
configuration;
FIG. 3 is rear perspective view of FIG. 1;
FIG. 4 is a front view thereof;
FIG. 5 is a side view thereof;
FIG. 6 is a rear view thereof;
FIG. 7 is another side view thereof;
FIG. 8 is a top plan view thereof; and,
FIG. 9 is a bottom plan view thereof.
The broken lines shown in the drawings illustrate portions of
the confectionery package with small flap and form no part
of the claimed design.

1 Claim, 6 Drawing Sheets



(56)

References Cited

U.S. PATENT DOCUMENTS

3,467,298 A * 9/1969 Wysocki B65D 5/3642
206/558
3,578,154 A * 5/1971 Martelli B65D 5/5009
206/756
4,382,539 A * 5/1983 Kronman B65D 27/04
206/804
5,190,200 A * 3/1993 Hammerlund A61C 15/043
225/42
5,556,026 A * 9/1996 Blankitny B65D 5/0236
229/123.1
5,941,389 A * 8/1999 Gomes B65D 71/20
206/427
D479,464 S * 9/2003 Kopecky D9/432
D484,046 S * 12/2003 Kopecky D9/432
D717,163 S * 11/2014 Paulsen D9/431
D721,575 S * 1/2015 Paboojian D9/423
D735,576 S * 8/2015 Aldridge D9/435
D746,673 S * 1/2016 Sanfilippo D9/416

D747,646 S * 1/2016 Sanfilippo D9/416
D751,396 S * 3/2016 Fleming D9/449
D764,278 S * 8/2016 Tulin D9/430
D792,784 S * 7/2017 Wangtaveesab D9/420
9,788,575 B2 * 10/2017 Buse B65B 19/20
9,796,512 B2 * 10/2017 Bouline B65D 47/36
D803,043 S * 11/2017 Greenspan D9/423
2008/0173564 A1 * 7/2008 Aldridge B65D 5/16
206/443
2009/0071101 A1 * 3/2009 Bertuzzi B65B 19/20
53/376.7
2011/0011923 A1 * 1/2011 Fitzwater B65D 5/0254
229/120.08
2011/0114655 A1 * 5/2011 Bailey B65D 43/0214
220/713
2011/0198258 A1 * 8/2011 Aldridge B65D 5/18
206/524.1
2011/0233106 A1 * 9/2011 Fluegel B65D 77/062
206/526
2018/0022500 A1 * 1/2018 Zhu B65D 5/5016
2018/0029759 A1 * 2/2018 Bouline B65D 47/36

* cited by examiner

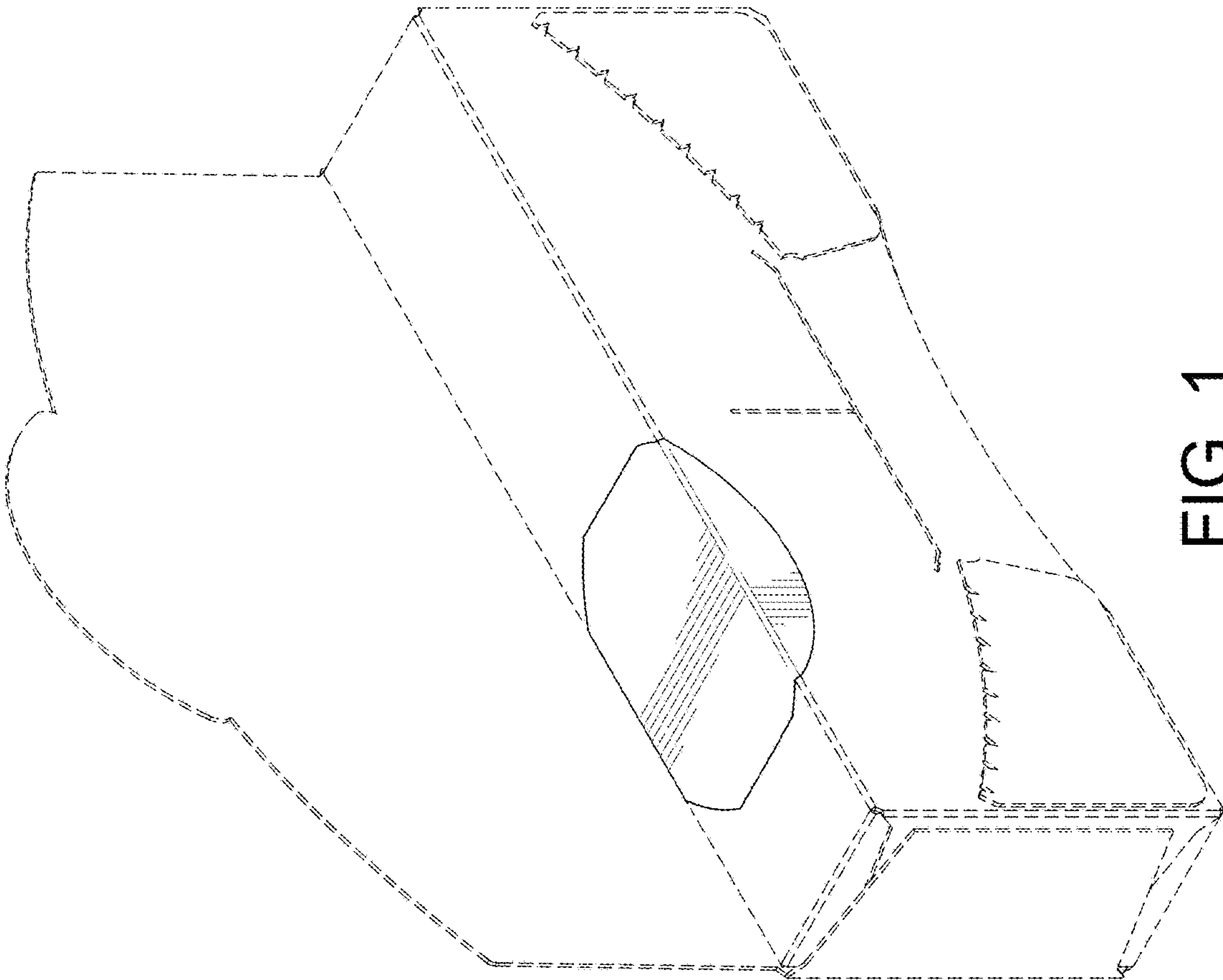


FIG. 1

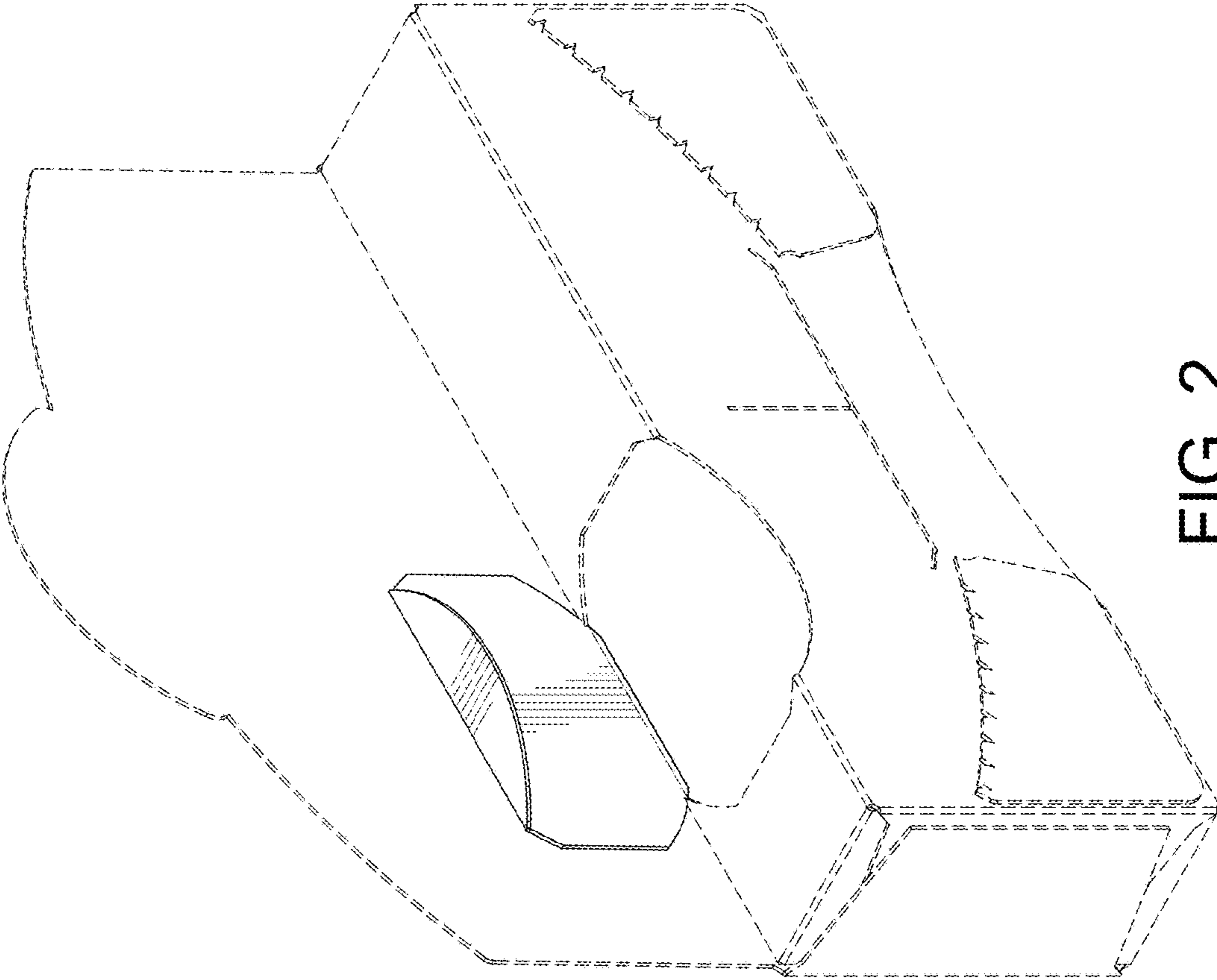


FIG. 2

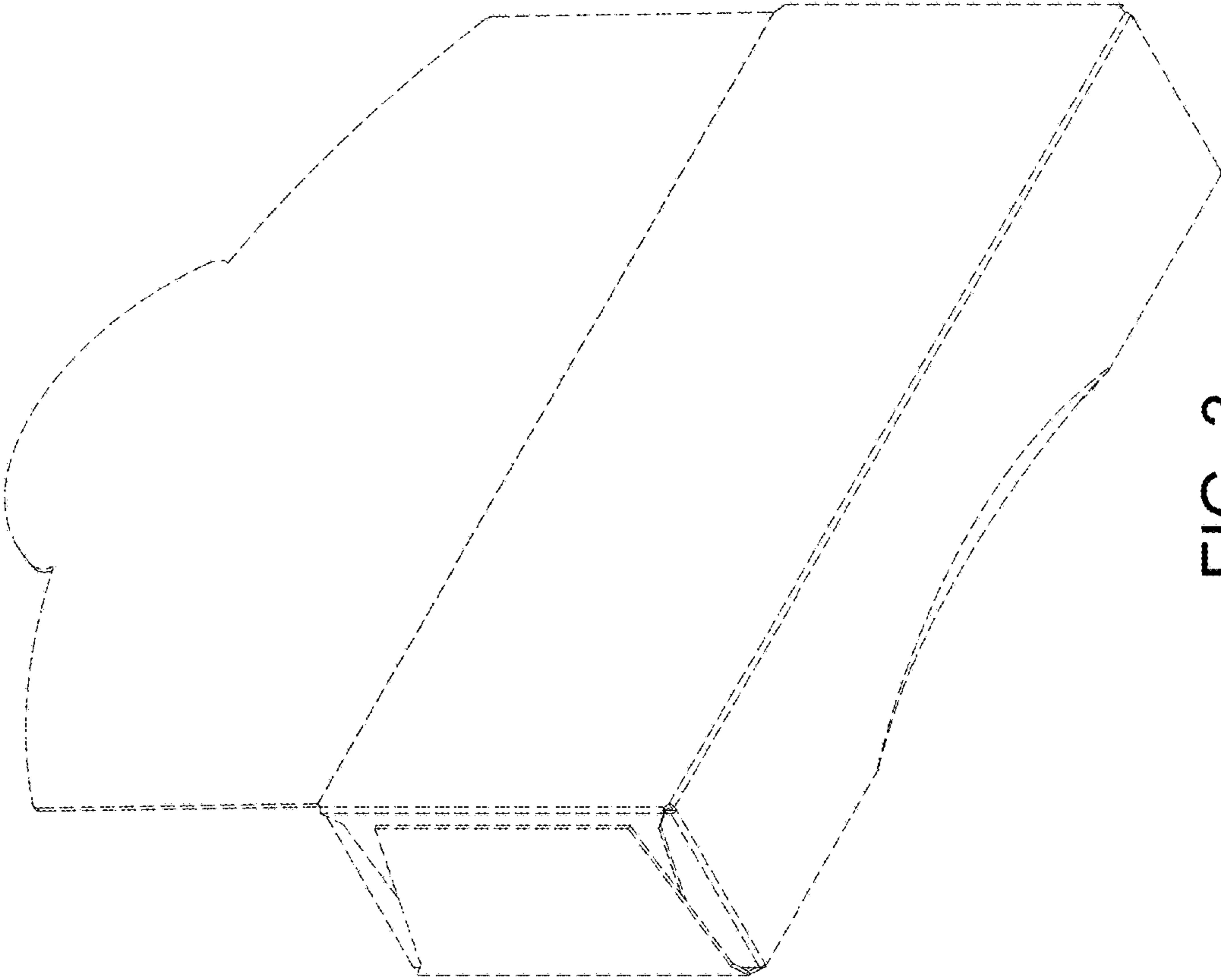


FIG. 3

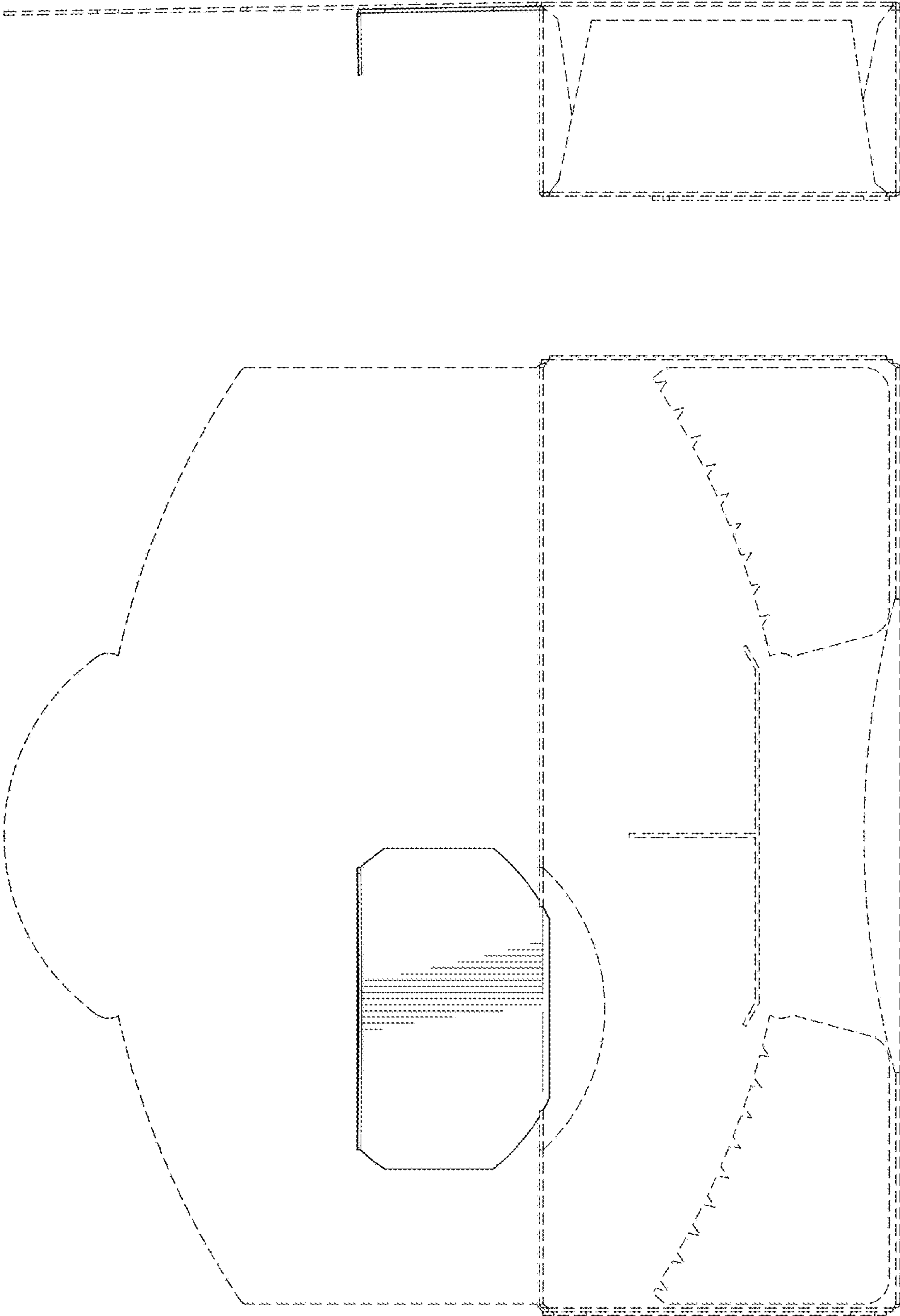


FIG. 5

FIG. 4

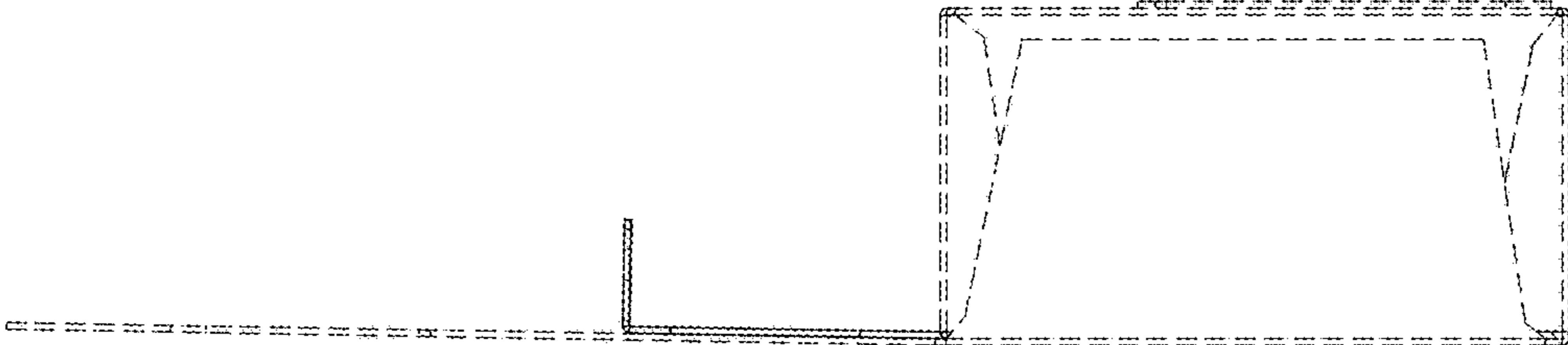


FIG. 7

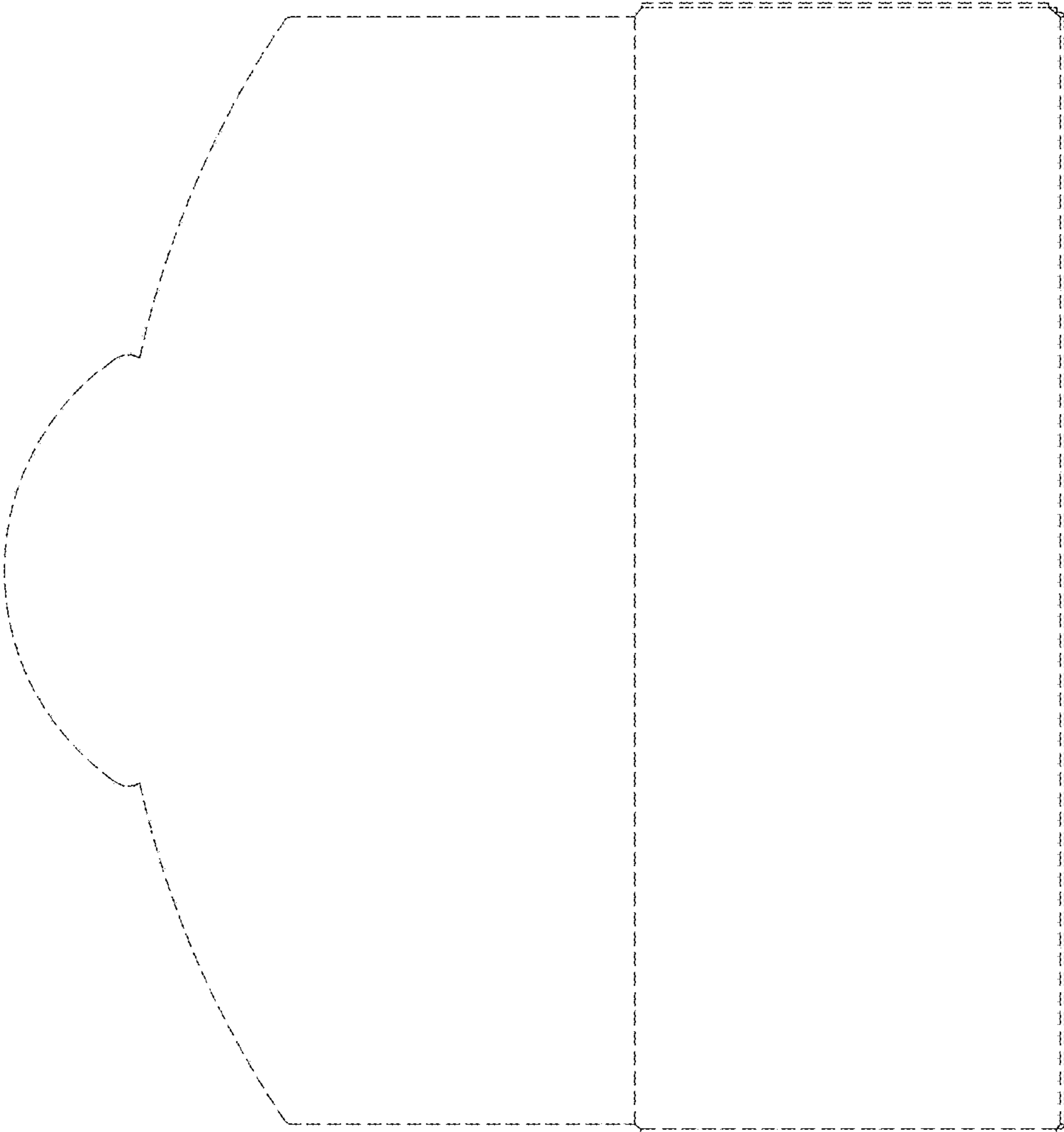


FIG. 6

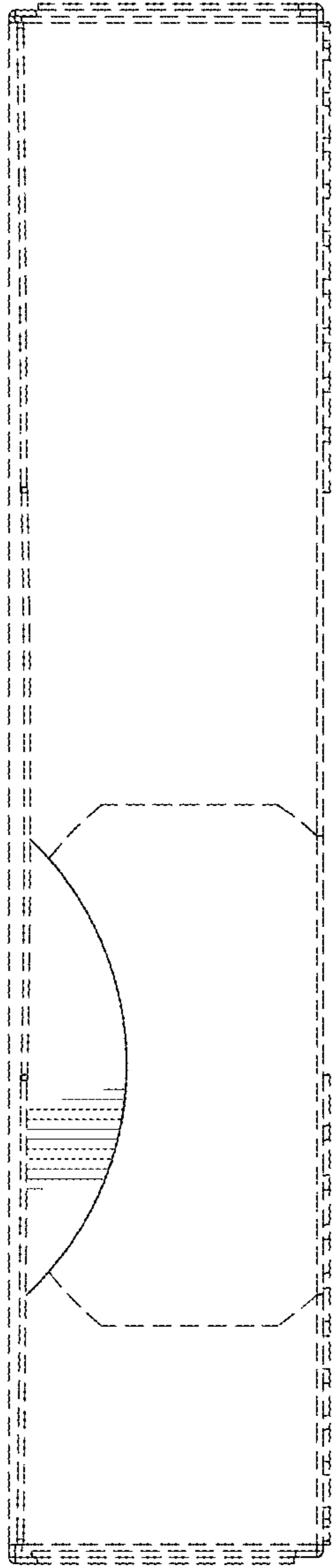


FIG. 8

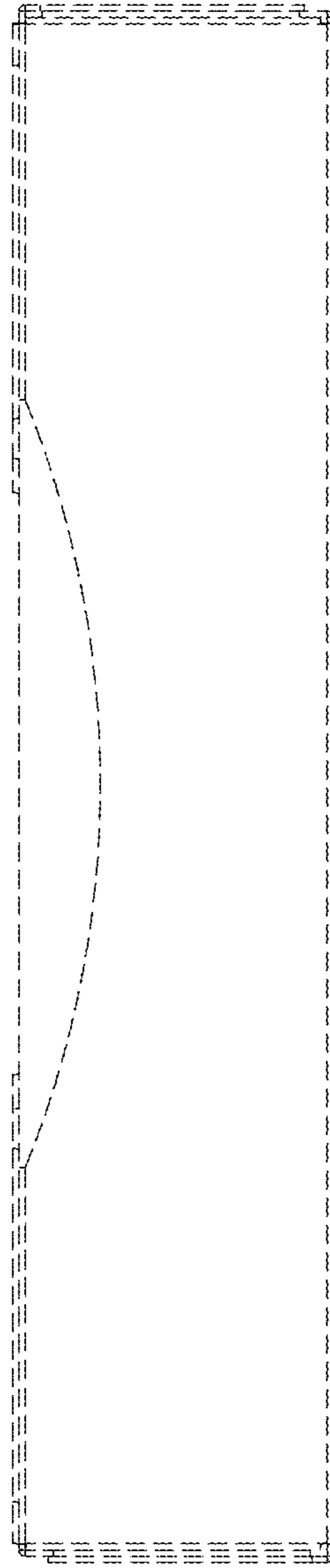


FIG. 9