



US00D820079S

(12) **United States Design Patent** (10) **Patent No.:** **US D820,079 S**
Caly (45) **Date of Patent:** **** *Jun. 12, 2018**

(54) **CHERRY-SHAPED CONTAINER**
(71) Applicant: **VACO PAK INDUSTRIES LTD.,**
Yahud (IL)
(72) Inventor: **Roy Caly, Kibbutz Yakum (IL)**
(73) Assignee: **Vaco Pak Industries Ltd., Yahud (IL)**
(*) Notice: This patent is subject to a terminal disclaimer.
(**) Term: **15 Years**
(21) Appl. No.: **29/599,882**
(22) Filed: **Apr. 7, 2017**
(51) **LOC (11) Cl.** **09-03**
(52) **U.S. Cl.**
USPC **D9/420; D9/644; D9/425**
(58) **Field of Classification Search**
USPC D9/414, 420-426, 427, 432, 601, 463,
D9/465, 615, 619, 687, 643-645, 691,
D9/715, 717, 721, 737, 743, 756, 757,
D9/761, 762, 451; D7/550, 555,
D7/560-562, 589-591, 601-602, 605,
D7/608, 612, 628, 629, 703, 709, 541,
D7/553.1, 630, 701, 707, 708; D3/248,
D3/251, 294, 302, 314; 220/4.21-4.23,
220/200, 315, 337, 389, 602-609, 669,
220/675, 835-839; 206/119, 216, 389,
206/464, 470, 508; 426/396, 118
CPC B65D 43/08; B65D 85/34; B65D 1/165
See application file for complete search history.

(56) **References Cited**
U.S. PATENT DOCUMENTS
D211,450 S * 6/1968 Cain D7/641
D227,226 S * 6/1973 Bird D9/425
4,676,446 A * 6/1987 Ciocarelli B65H 35/0026
206/408

D326,145 S * 5/1992 Borakove D11/131.1
D356,372 S * 3/1995 El-Assir D11/67
D565,163 S * 3/2008 De Haan D23/366
D585,735 S * 2/2009 Vovan D9/416
D604,114 S * 11/2009 Braidotti D7/628
D707,550 S * 6/2014 Limback D9/424
D749,963 S * 2/2016 Oaknin D9/420
D756,796 S * 5/2016 Sifuentes D9/425
D765,517 S * 9/2016 Rasgon D9/415
D768,000 S * 10/2016 Prueksapornpong D9/425
D769,728 S * 10/2016 Magnotta D9/645

OTHER PUBLICATIONS

“10 Piece Nesting Container Set with Cherry Design”, posted date unavailable [online], [retrieved Feb. 19, 2018]. Retrieved from internet: https://www.ebay.com/itm/10-Piece-Nesting-Container-Set-with-Cherry-Design/273048915608?hash=item3f92fbce98:g:SZIAAOSwDEtaSaWh.*

(Continued)

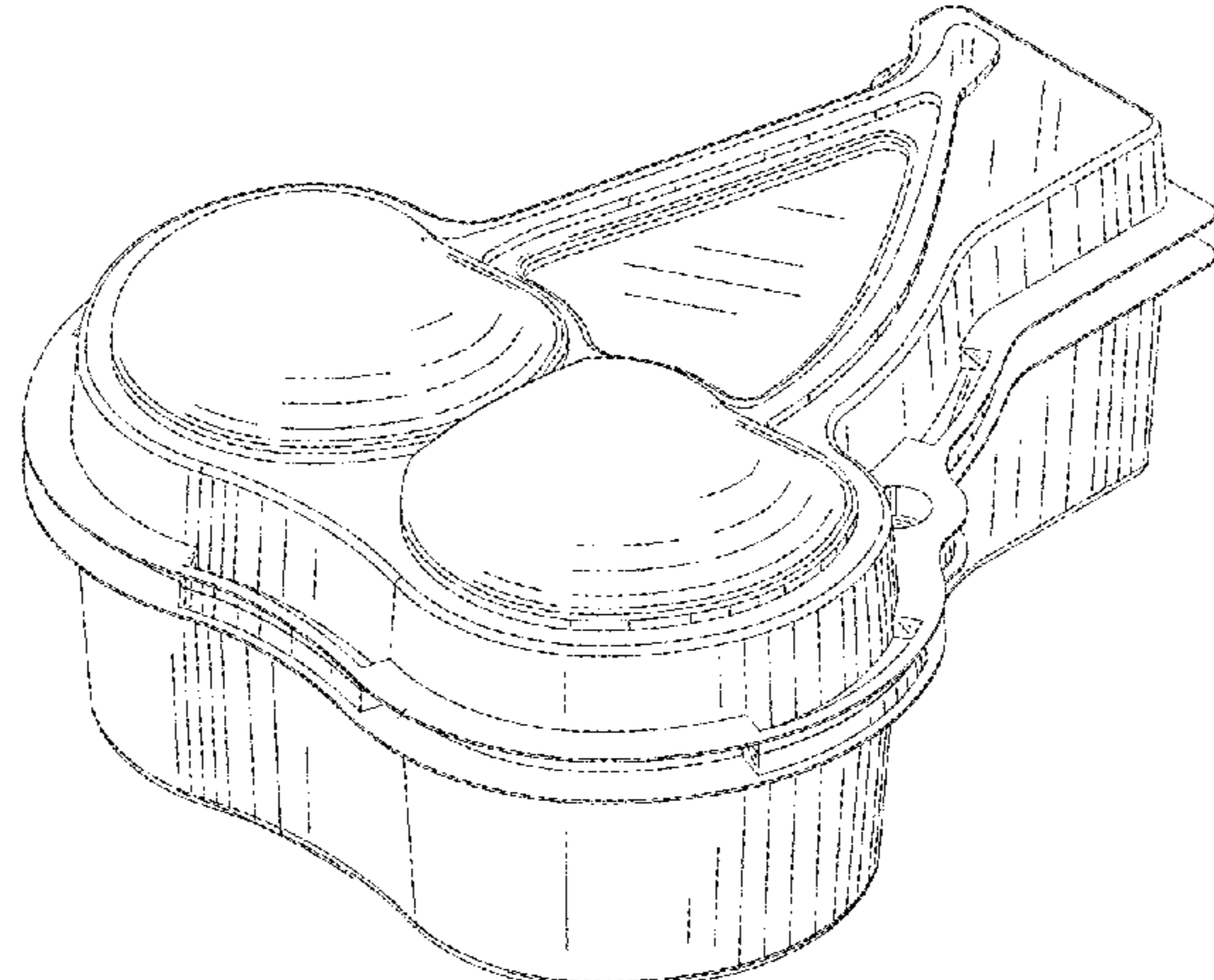
Primary Examiner — Barbara Fox
Assistant Examiner — Mehri F Bajoul
(74) *Attorney, Agent, or Firm* — Roach Brown McCarthy & Gruber, P.C.; Kevin D. McCarthy

(57) **CLAIM**
The ornamental design for a cherry-shaped container, as shown and described.

DESCRIPTION

FIG. 1 is an isometric view of a cherry-shaped container showing my new design;
FIG. 2 is another isometric view thereof with the top portion open;
FIG. 3 is a top plan view thereof;
FIG. 4 is a bottom plan view thereof;
FIG. 5 is a front side elevational view thereof;
FIG. 6 is a rear side elevational view thereof;
FIG. 7 is a right side elevational view thereof; and,
FIG. 8 is a left side elevational view thereof.

1 Claim, 4 Drawing Sheets



(56)

References Cited

OTHER PUBLICATIONS

“5ml Cherry Design Crystal Car Perfume Bottle”, posted Sep. 11, 2013 [online], [retrieved Feb. 19, 2018]. Retrieved from internet: <https://www.dhgate.com/store/product/5ml-cherry-design-crystal-car-perfume-bottle/160606439.html#ctabBox>.*

* cited by examiner

FIGURE 1

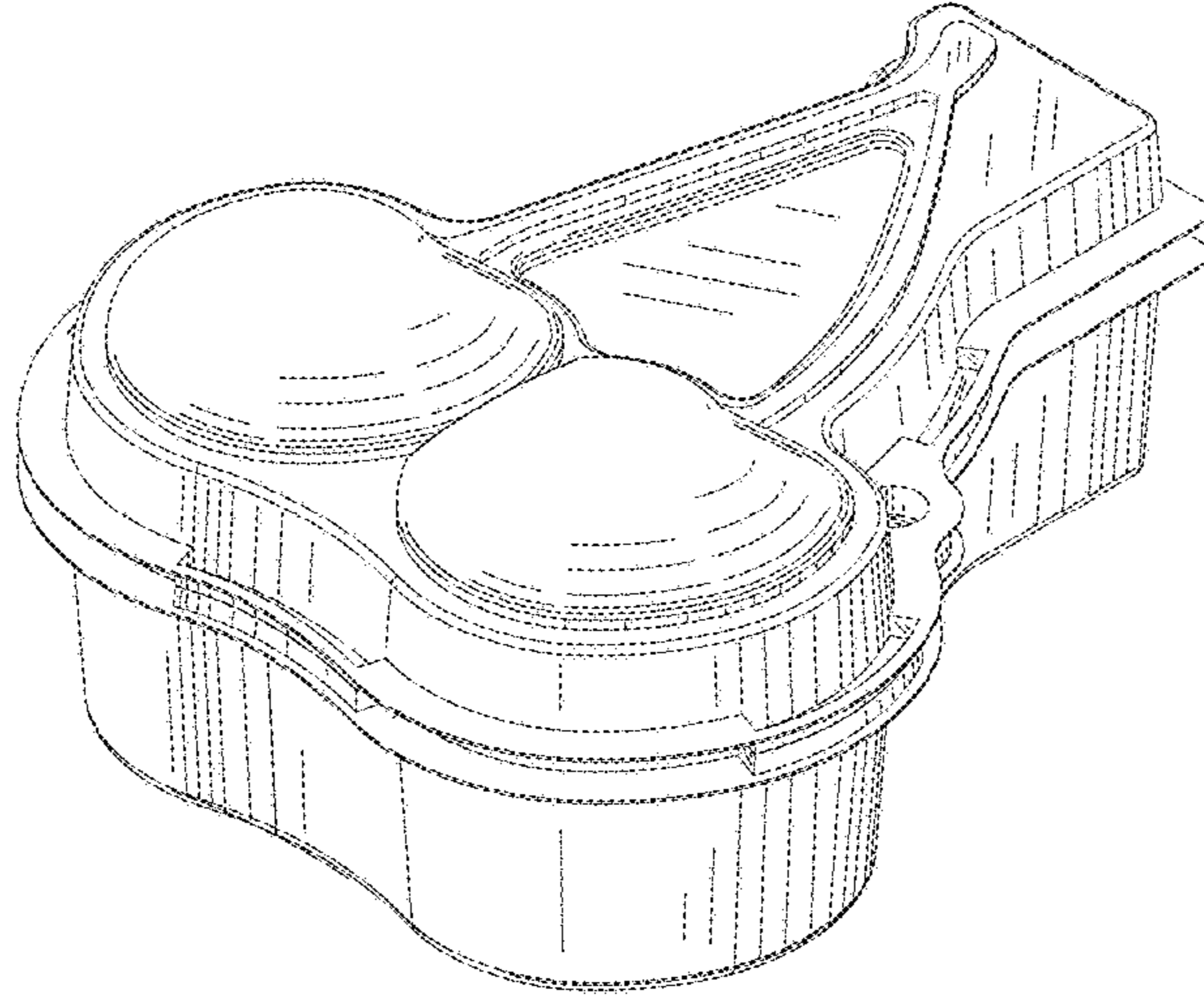


FIGURE 2

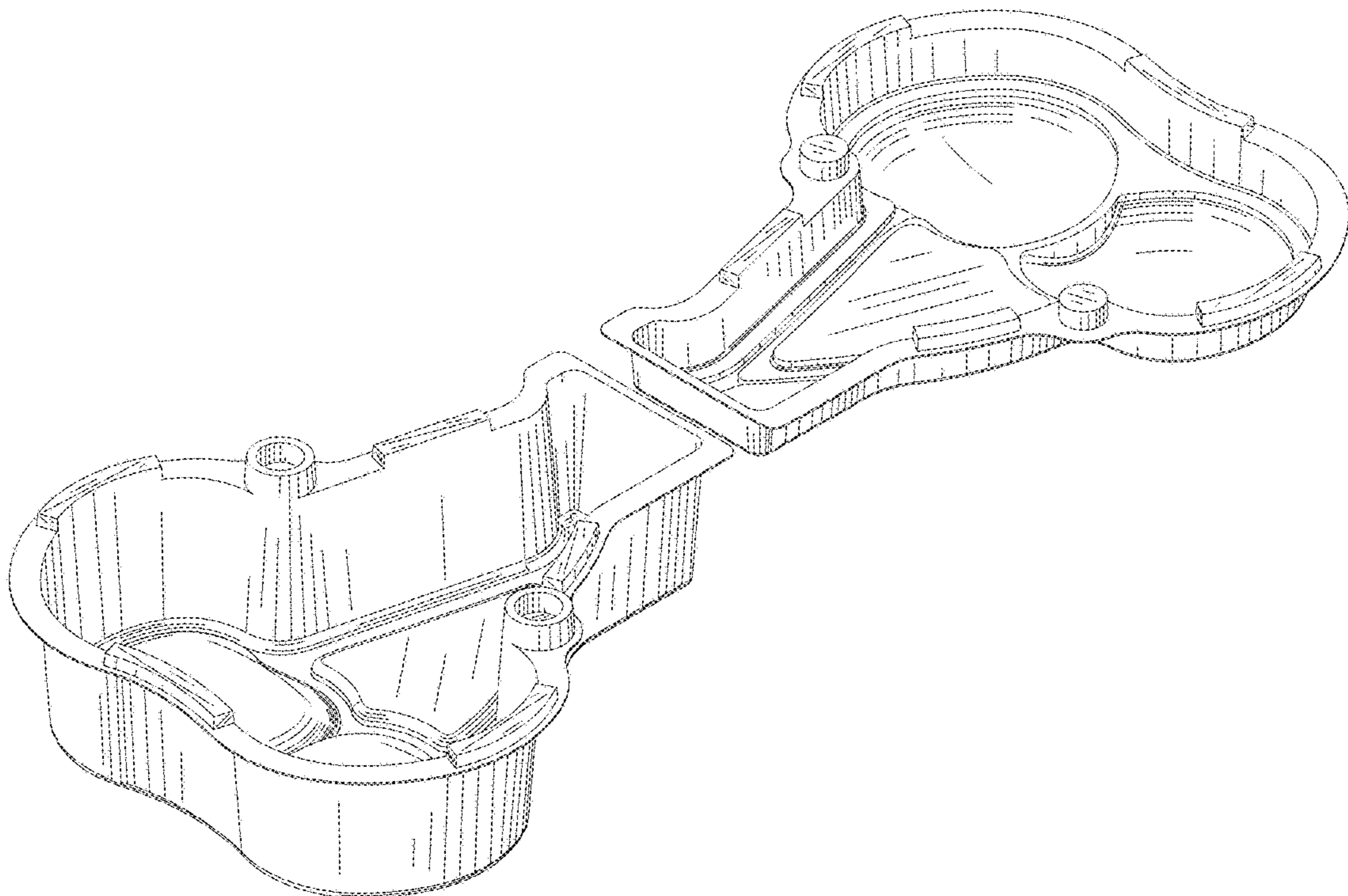


FIGURE 3

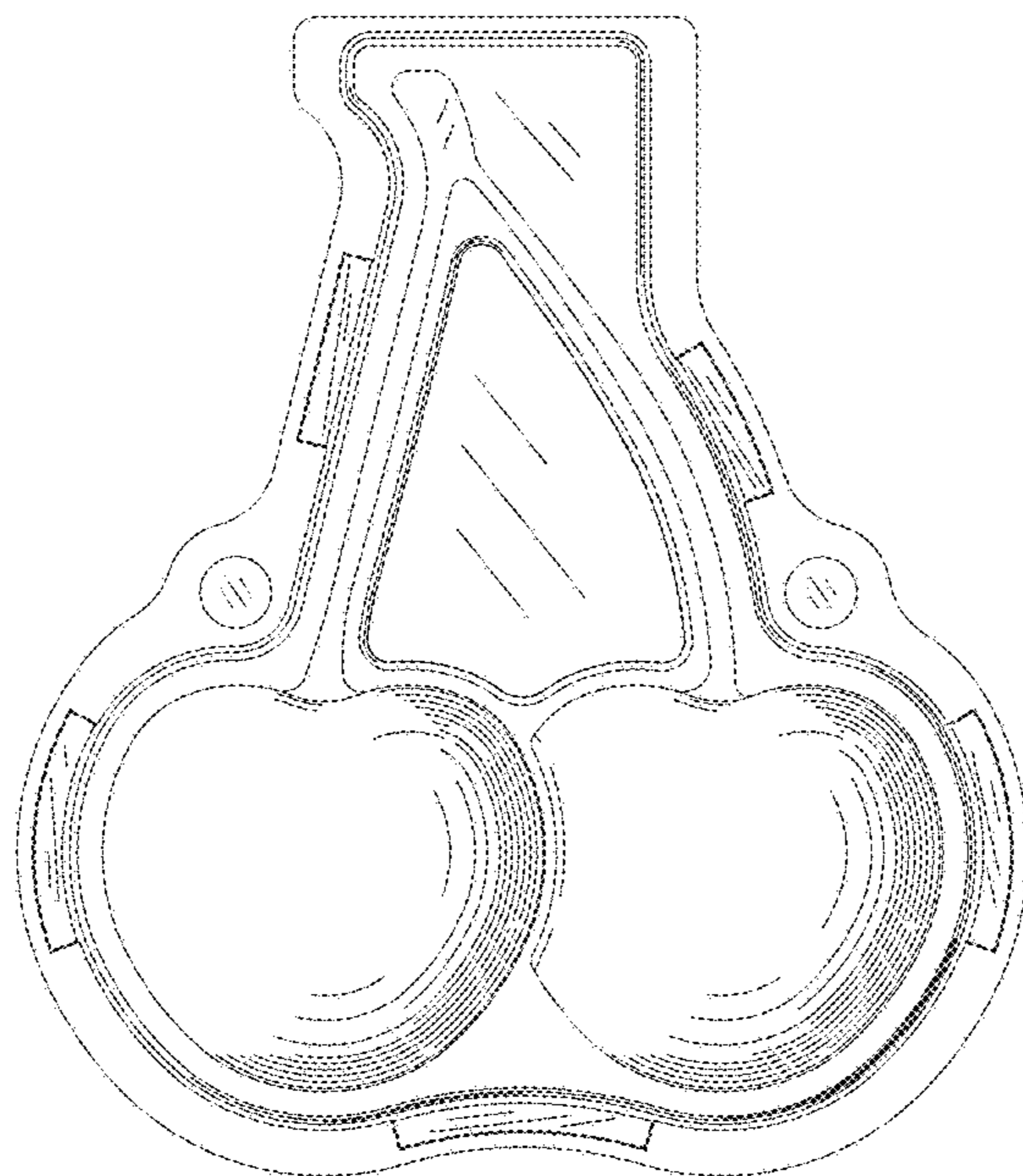


FIGURE 4

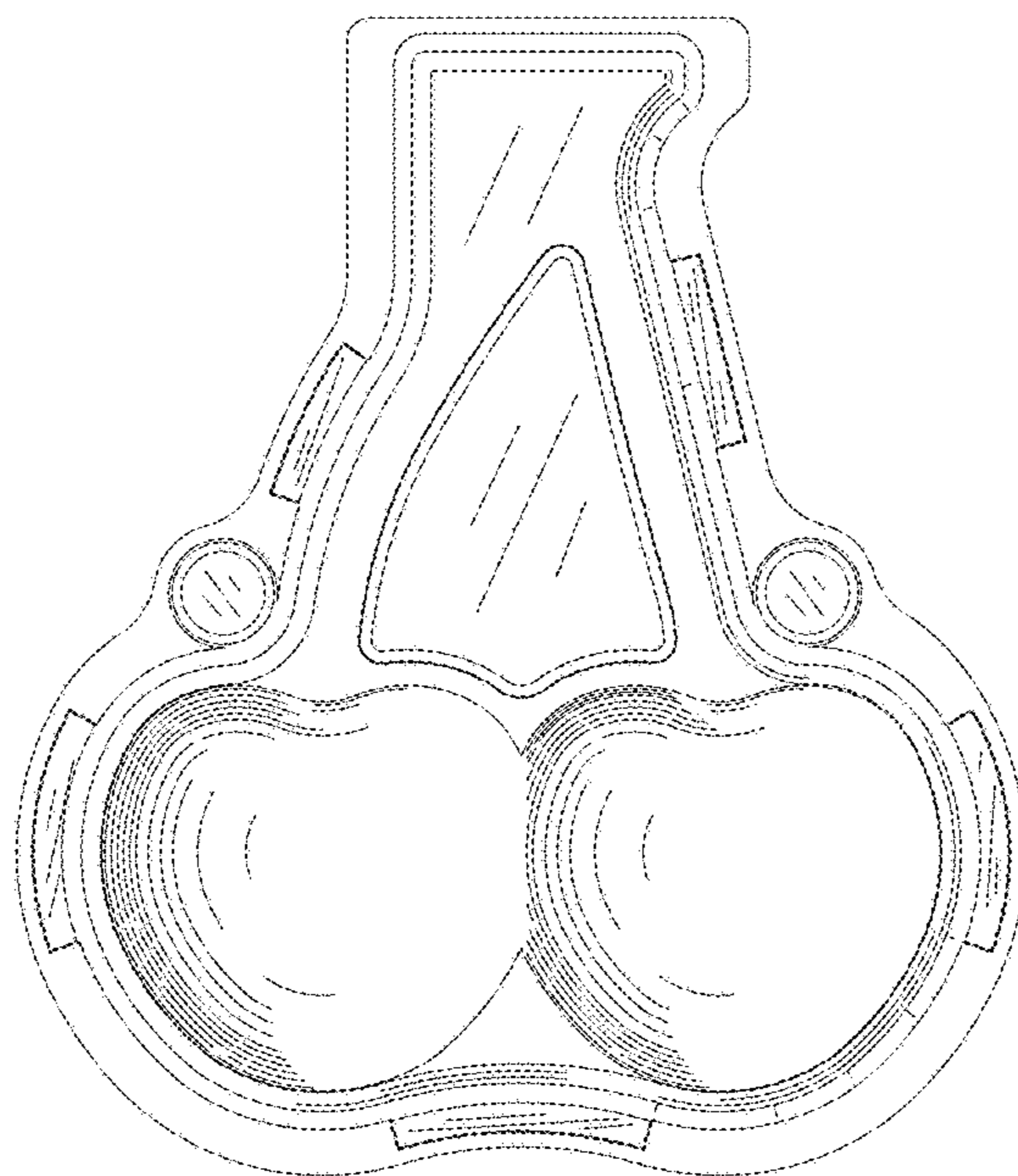


FIGURE 5

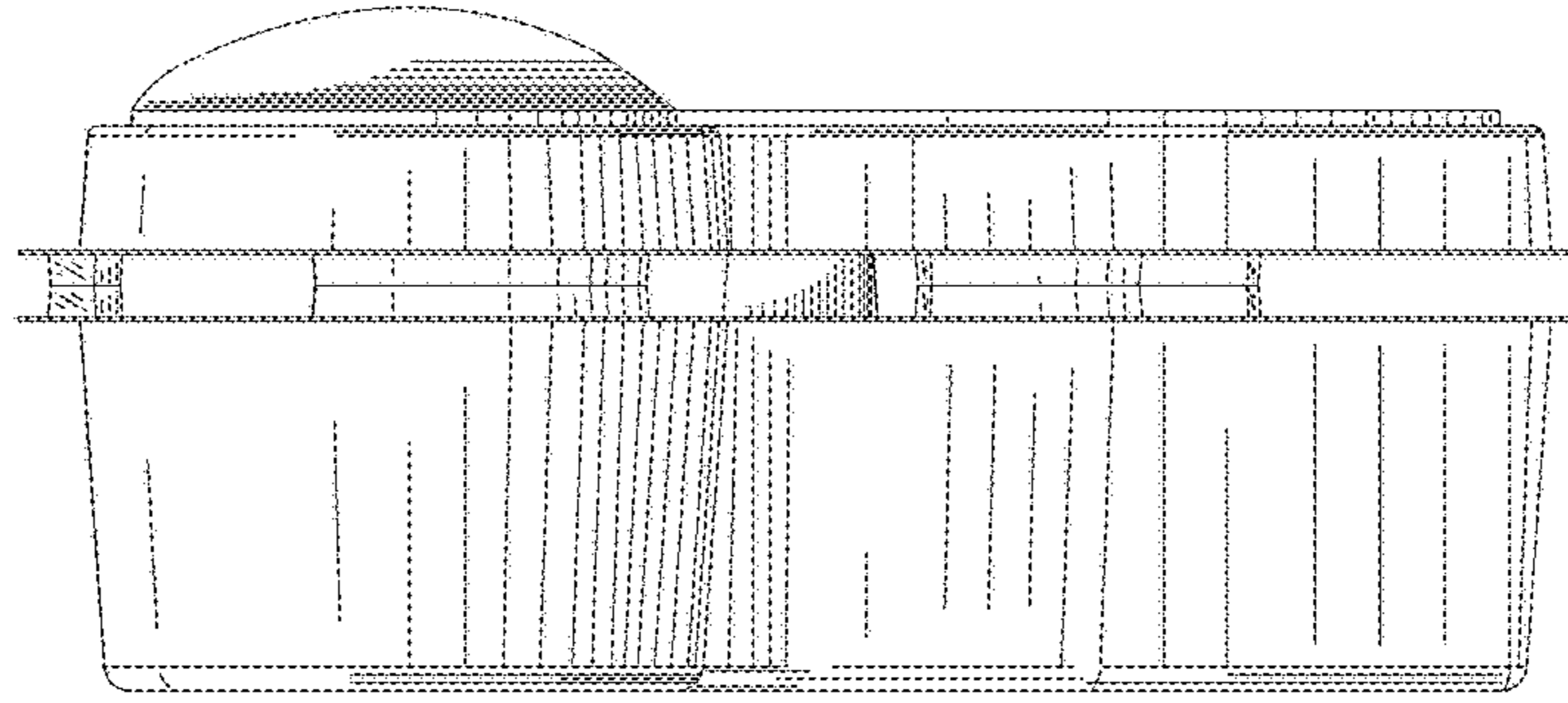


FIGURE 6

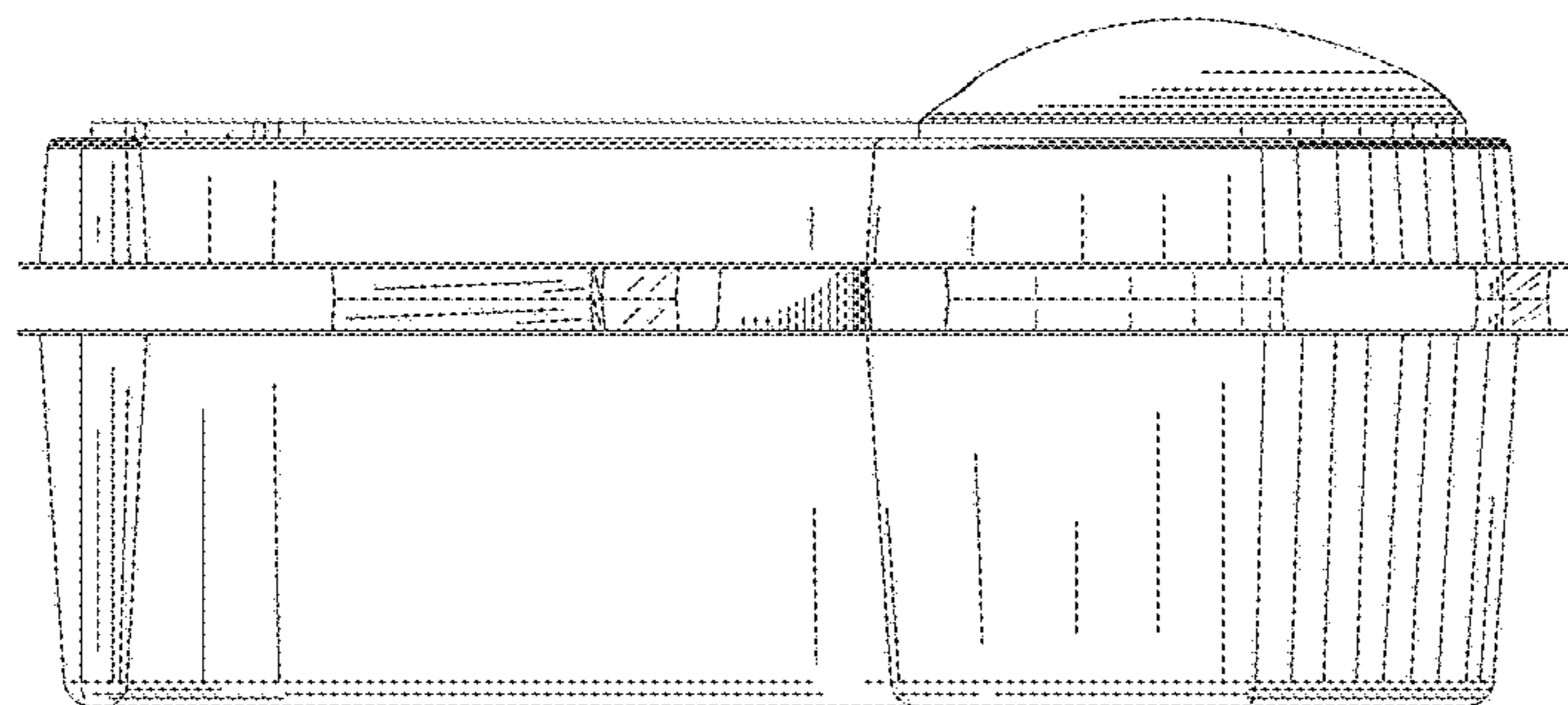


FIGURE 7

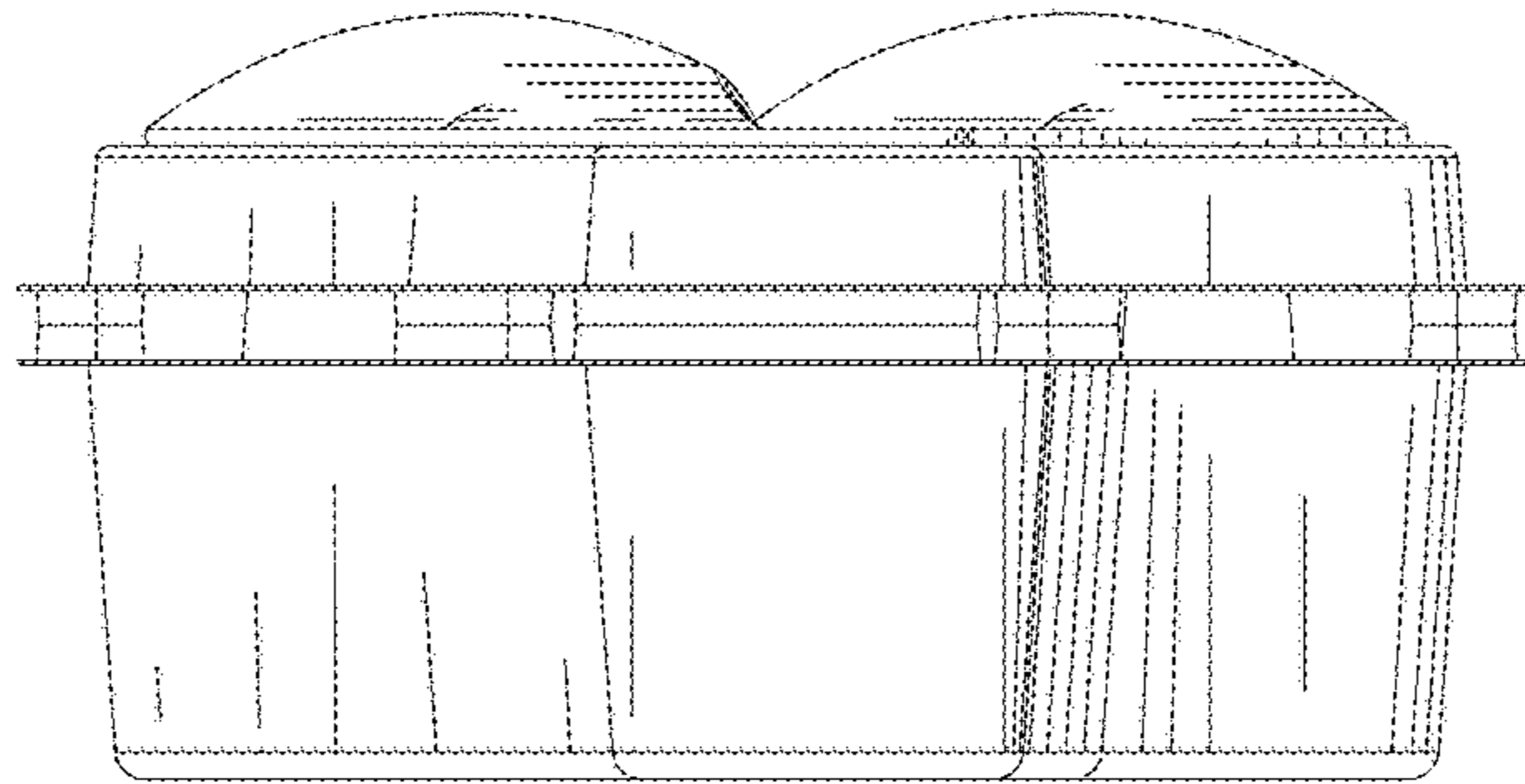


FIGURE 8

