



US00D820078S

(12) **United States Design Patent**  
**Uematsu**

(10) **Patent No.:** **US D820,078 S**  
(45) **Date of Patent:** **\*\* Jun. 12, 2018**

(54) **BOX FOR PACKAGING**  
(71) Applicant: **TEIKOKU SEIYAKU CO., LTD.,**  
Kagawa (JP)  
(72) Inventor: **Masanori Uematsu,** Higashikagawa  
(JP)  
(73) Assignee: **TEIKOKU SEIYAKU CO., LTD.** (JP)  
(\*\*) Term: **15 Years**

4,498,620 A 2/1985 Dickert et al.  
4,583,681 A \* 4/1986 Neese ..... B65D 5/46024  
229/117.22  
D293,211 S \* 12/1987 DePaul ..... D9/416  
D299,430 S \* 1/1989 Gustafsson ..... D9/416  
D299,431 S \* 1/1989 Gustafsson ..... D9/416  
D299,432 S \* 1/1989 Gustafsson ..... D9/416  
D310,965 S \* 10/1990 Capuano ..... D9/416  
D431,462 S \* 10/2000 Menaged ..... D9/416

(Continued)

(21) Appl. No.: **35/501,620**  
(22) Filed: **Mar. 25, 2016**

FOREIGN PATENT DOCUMENTS

JP U S63-86014 A 6/1988  
JP U H1-76408 A 5/1989

(Continued)

(80) **Hague Agreement Data**  
Int. Filing Date: **Mar. 25, 2016**  
Int. Reg. No.: **DM/090171**  
Int. Reg. Date: **Mar. 25, 2016**  
Int. Reg. Pub. Date: **Sep. 30, 2016**

*Primary Examiner* — Melanie H Tung  
*Assistant Examiner* — Bao-Yen Nguyen  
(74) *Attorney, Agent, or Firm* — Saidman DesignLaw  
Group, LLC

(30) **Foreign Application Priority Data**

Oct. 6, 2015 (JP) ..... 2015-022014

(51) **LOC (11) Cl.** ..... **09-03**

(52) **U.S. Cl.**  
USPC ..... **D9/416; D9/432**

(58) **Field of Classification Search**  
USPC ..... D9/414-419, 423, 431, 432, 433, 499,  
D9/761

CPC ... B65D 5/18; B65D 5/20; B65D 5/24; B65D  
5/28; B65D 5/30; B65D 5/42; B65D  
5/46; B65D 5/70; B65D 5/74; B65D  
5/546; B65D 5/2038; B65D 5/2052;  
B65D 5/48022; B65D 5/665

See application file for complete search history.

(56) **References Cited**

U.S. PATENT DOCUMENTS

D196,883 S \* 11/1963 Robinson ..... D9/416  
D266,226 S \* 9/1982 Zdarsky ..... D9/418

(57) **CLAIM**

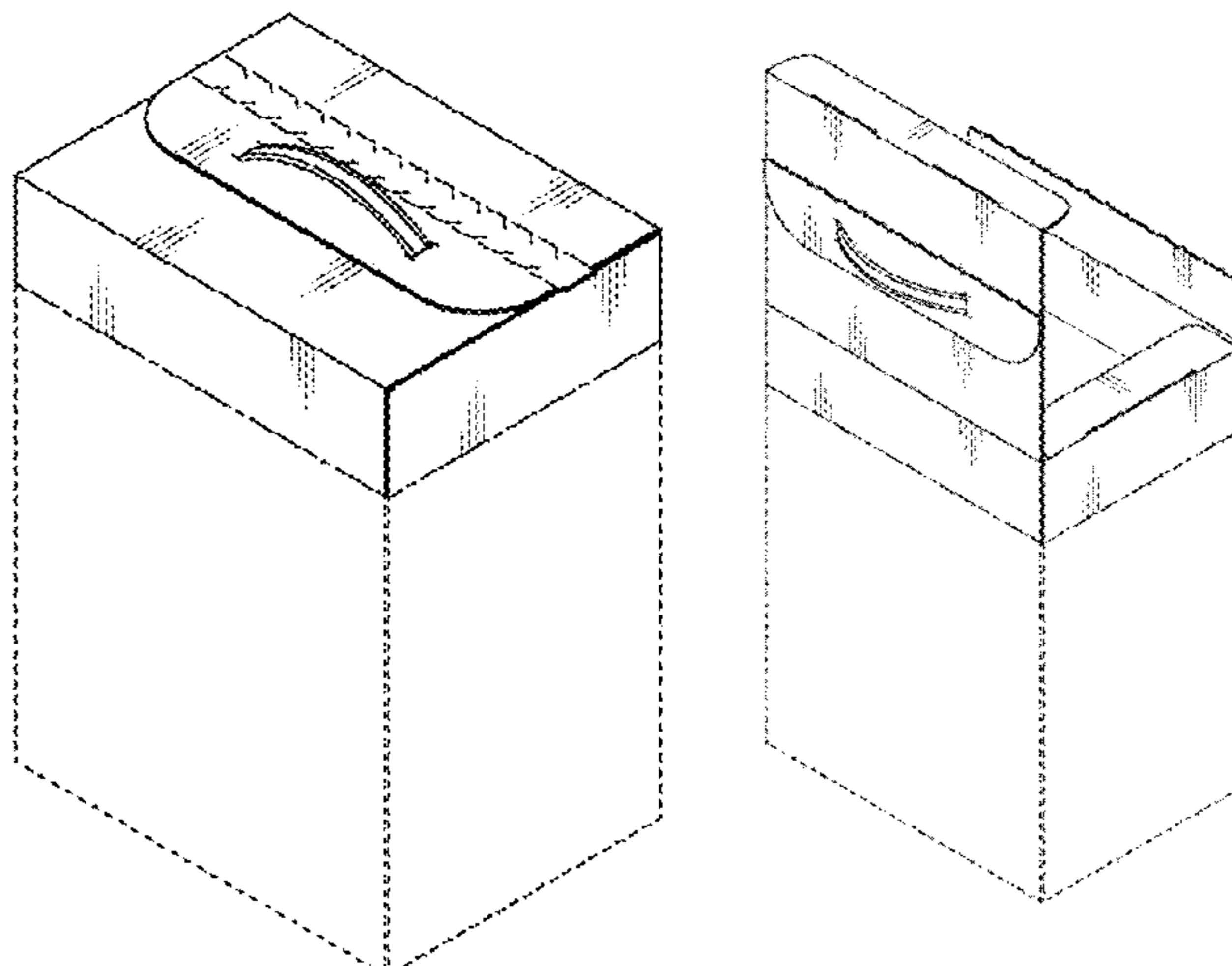
The ornamental design for box for packaging, as shown and described.

**DESCRIPTION**

- 1. Box for packaging
- 1.1 : Perspective
- 1.2 : Perspective view in open condition
- 1.3 : Front
- 1.4 : Back
- 1.5 : Top
- 1.6 : Left
- 1.7 : Right

The solid lines shown in the reproductions form the claimed design, and the dash lines illustrate a portion of the box for packaging and form no part of the claimed design; the dot-dash lines illustrate a boundary of the claimed design, with the boundary line forming no part of the claimed design; Fig. 1.2 shows the box in an open condition with the zipper removed from the upper wall.

**1 Claim, 7 Drawing Sheets**



(56)

**References Cited**

U.S. PATENT DOCUMENTS

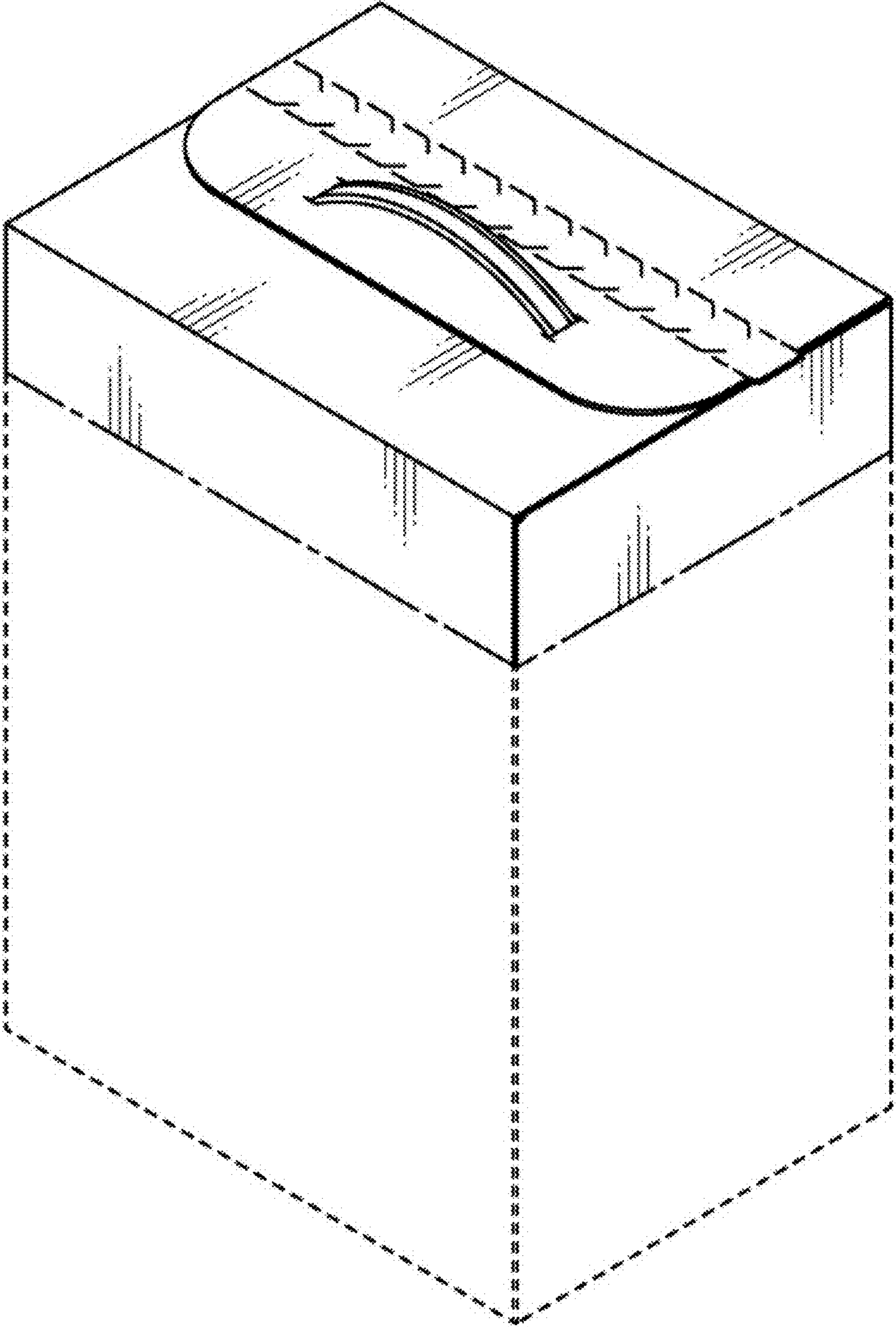
D447,686	S	*	9/2001	Cattell .....	D9/417
D472,463	S	*	4/2003	Kinigakis .....	D9/416
D490,703	S	*	6/2004	Rusnock .....	D9/416
D494,061	S	*	8/2004	Brown .....	D9/415
D511,681	S	*	11/2005	Cogley .....	D9/416
D548,583	S	*	8/2007	Carmichael .....	D9/416
D548,590	S	*	8/2007	Forthaus .....	D9/432
D558,573	S	*	1/2008	Forthaus .....	D9/432
D568,738	S		5/2008	Forthaus et al.	
D589,346	S	*	3/2009	Hall .....	D9/432
D603,258	S	*	11/2009	Taketomi .....	D9/432
D699,101	S	*	2/2014	Strom .....	D9/416
D703,530	S	*	4/2014	Caldecourt .....	D9/432
D706,128	S	*	6/2014	Strom .....	D9/416
D744,829	S	*	12/2015	Deering .....	D9/432
D751,891	S	*	3/2016	Solovov, Jr. ....	D9/414
D764,903	S	*	8/2016	Sanfilippo .....	D9/416

FOREIGN PATENT DOCUMENTS

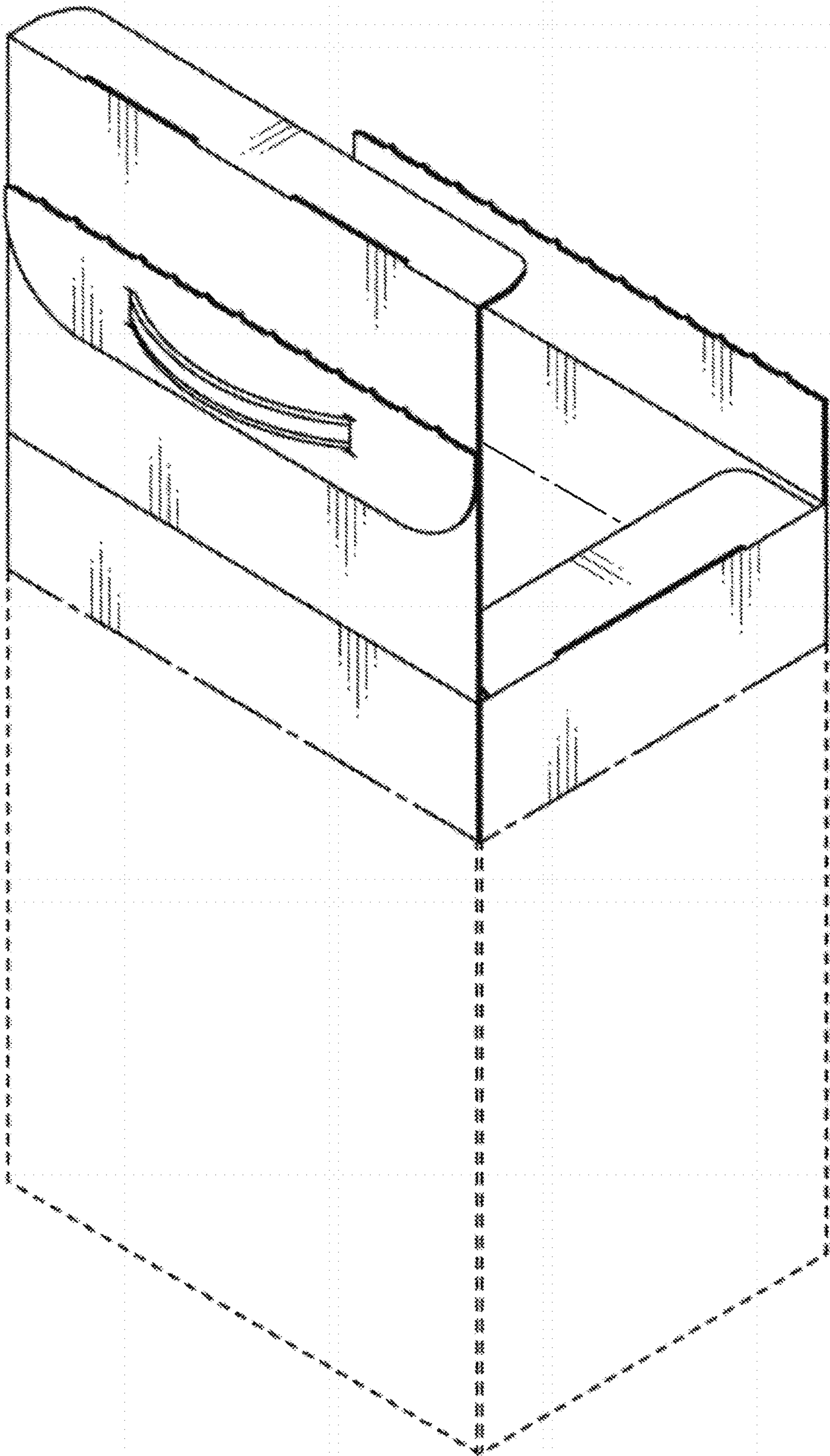
JP	U H5-34186	A	5/1993
JP	U H7-8213	A	2/1995
JP	D1382307		3/2010
JP	D1405397		1/2011
JP	D1409315		3/2011
JP	D1489607		2/2014
TW	D159986		4/2014

\* cited by examiner

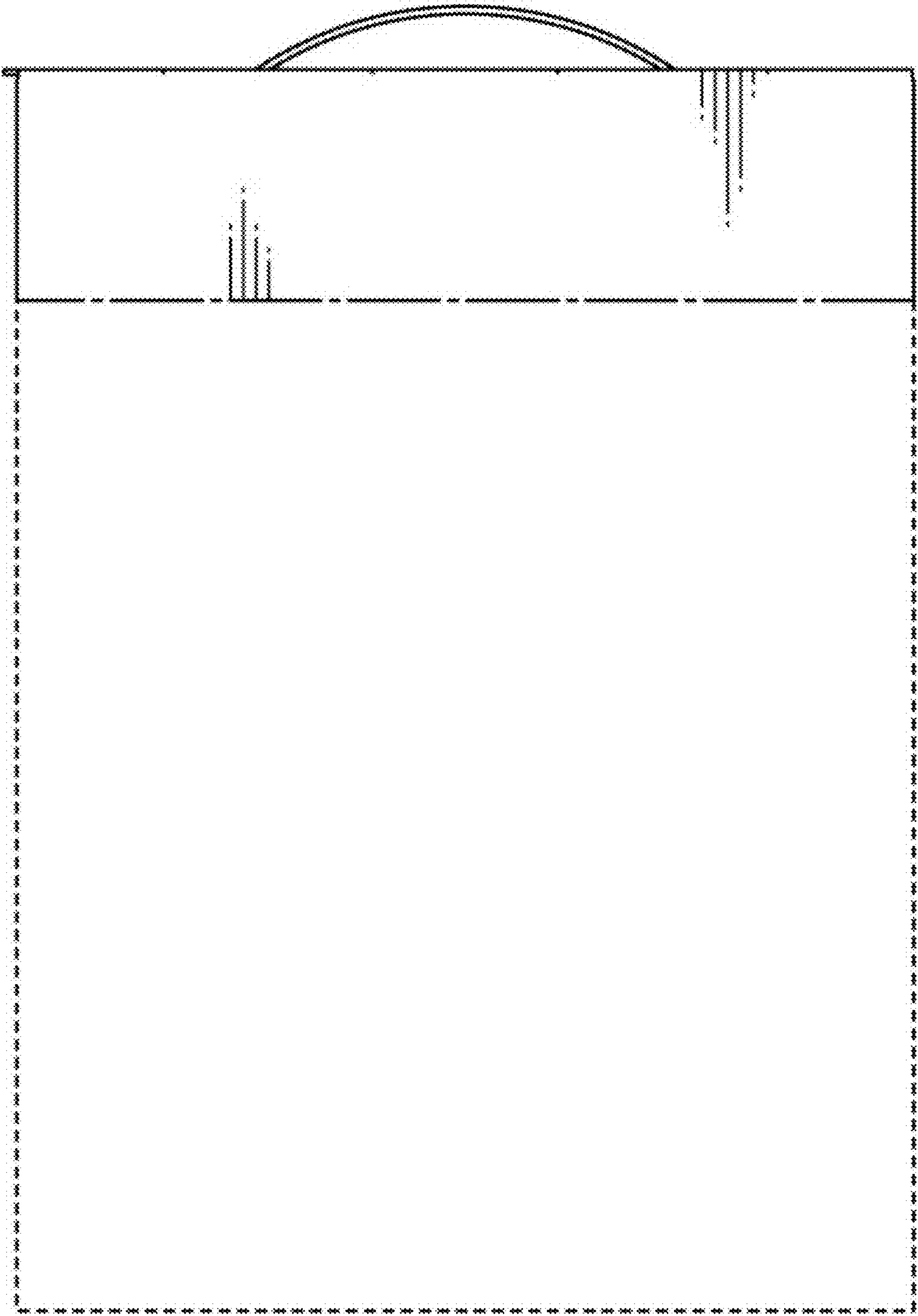
1.1



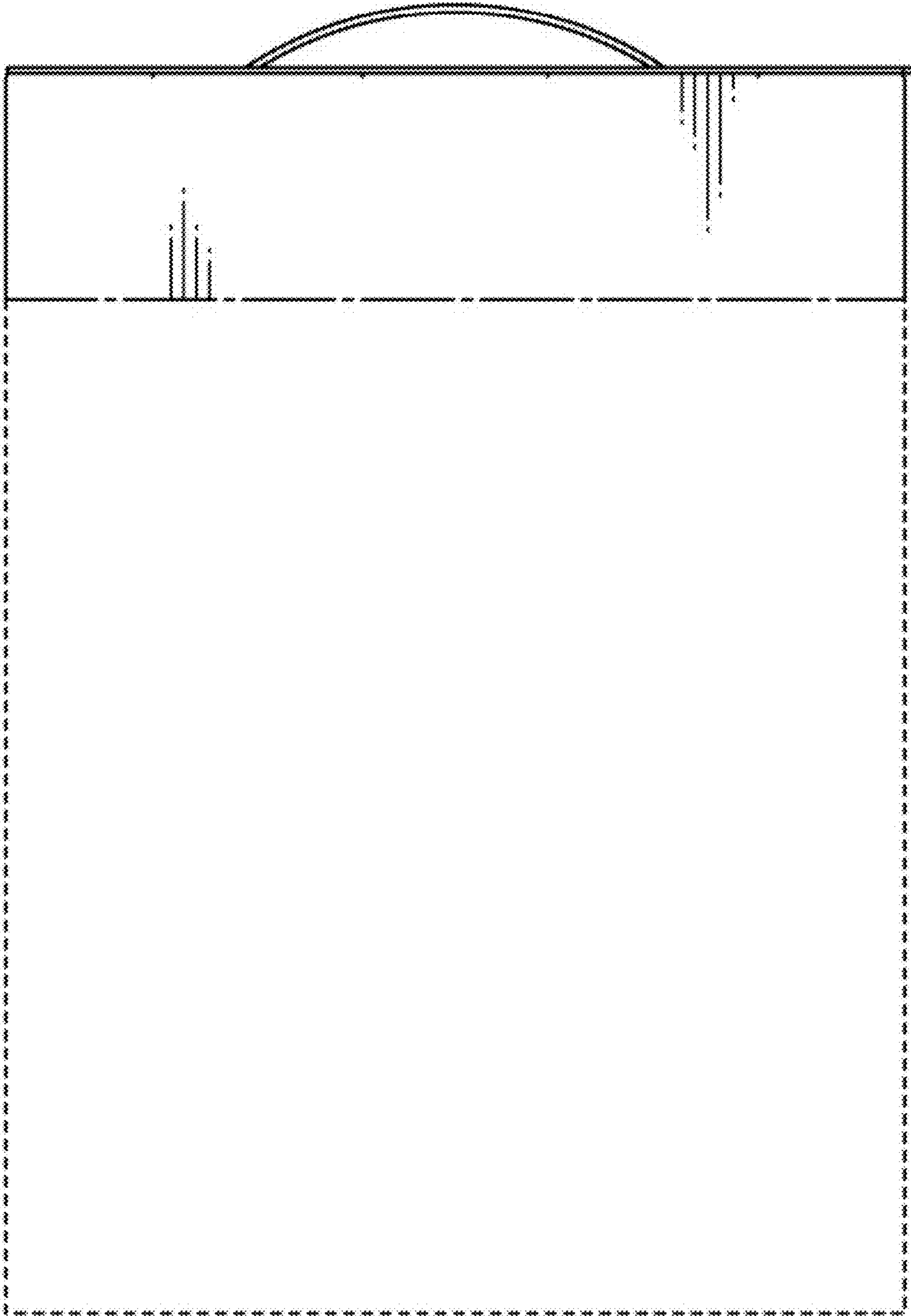
1.2



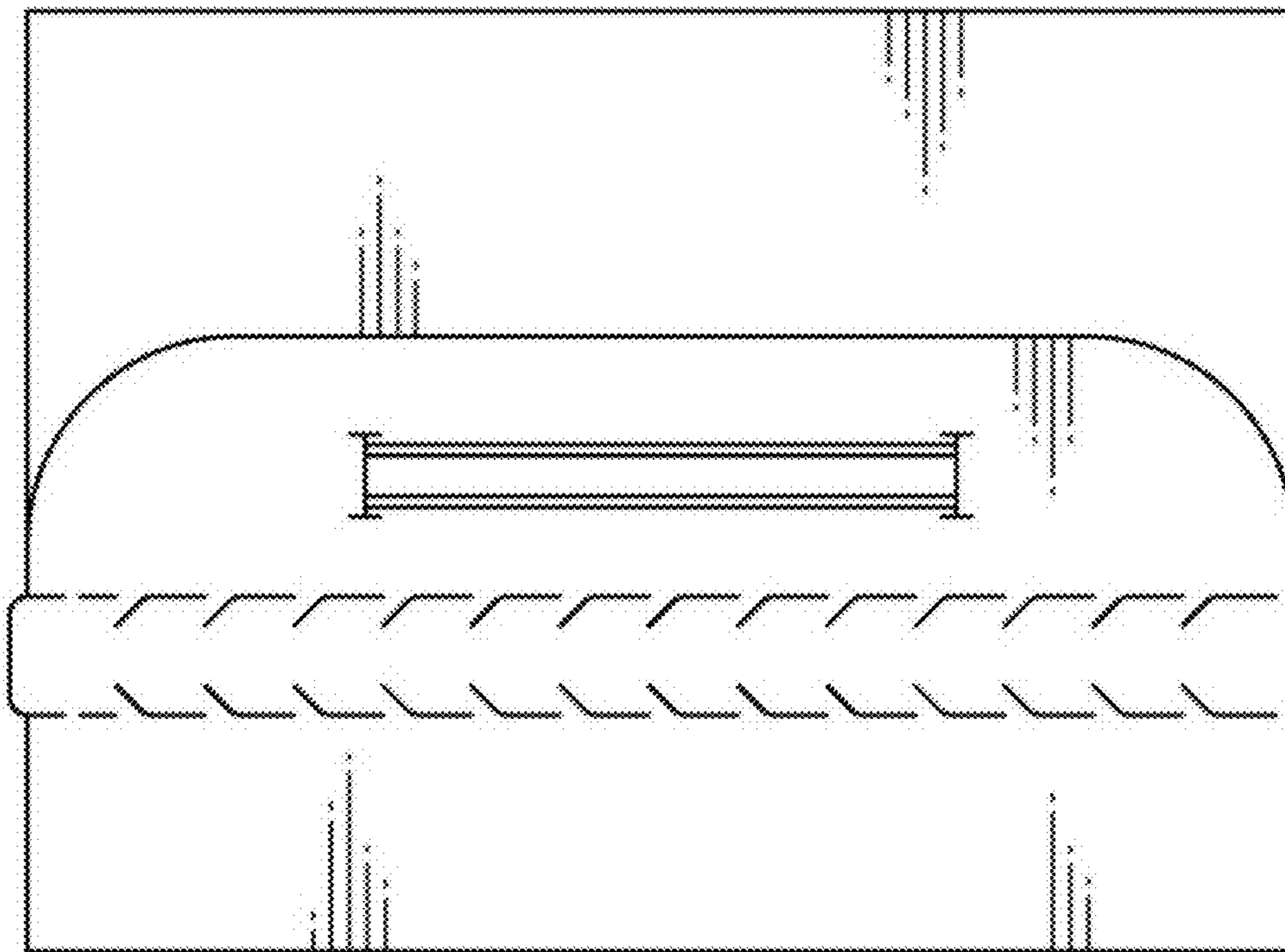
1.3



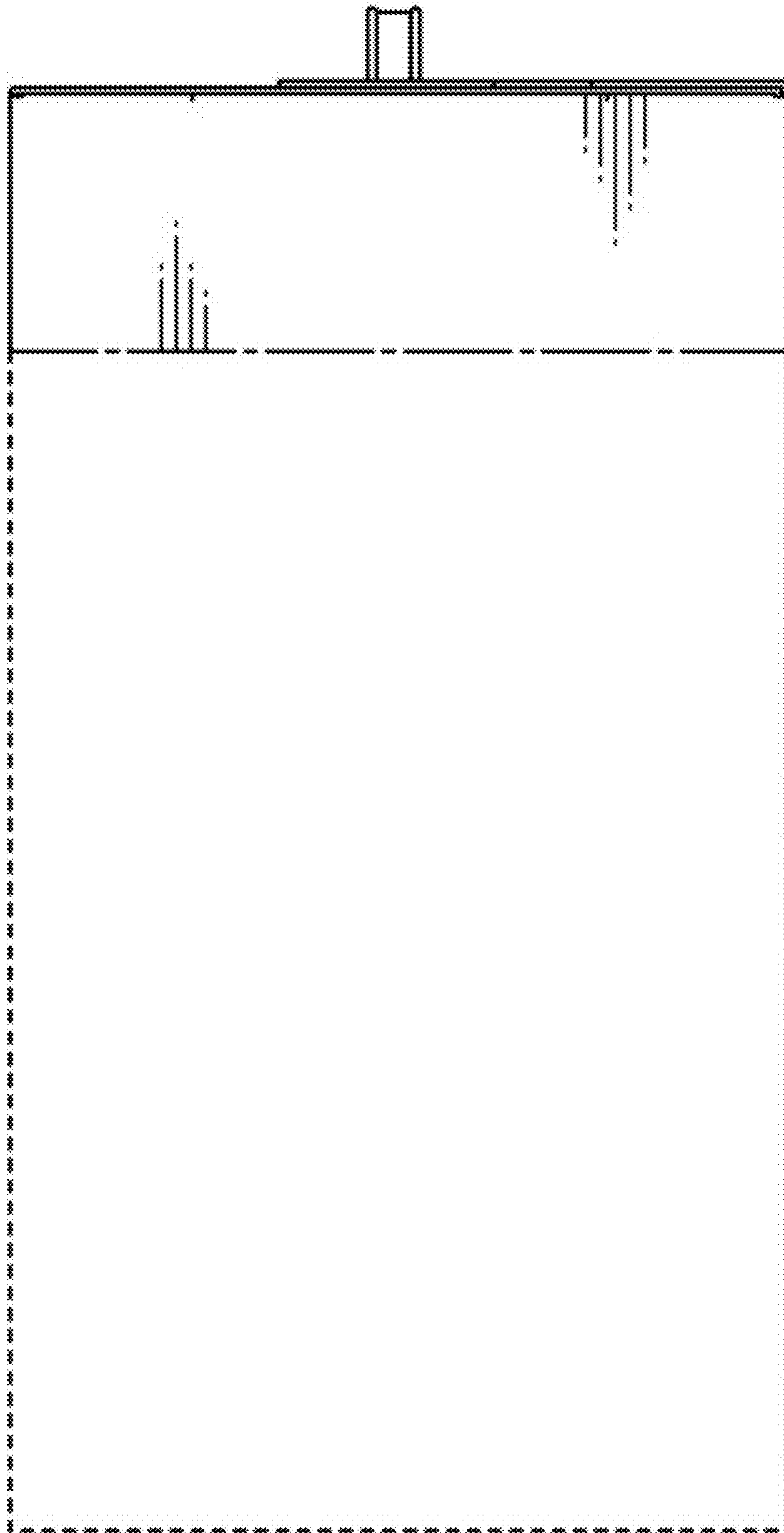
1.4



1.5

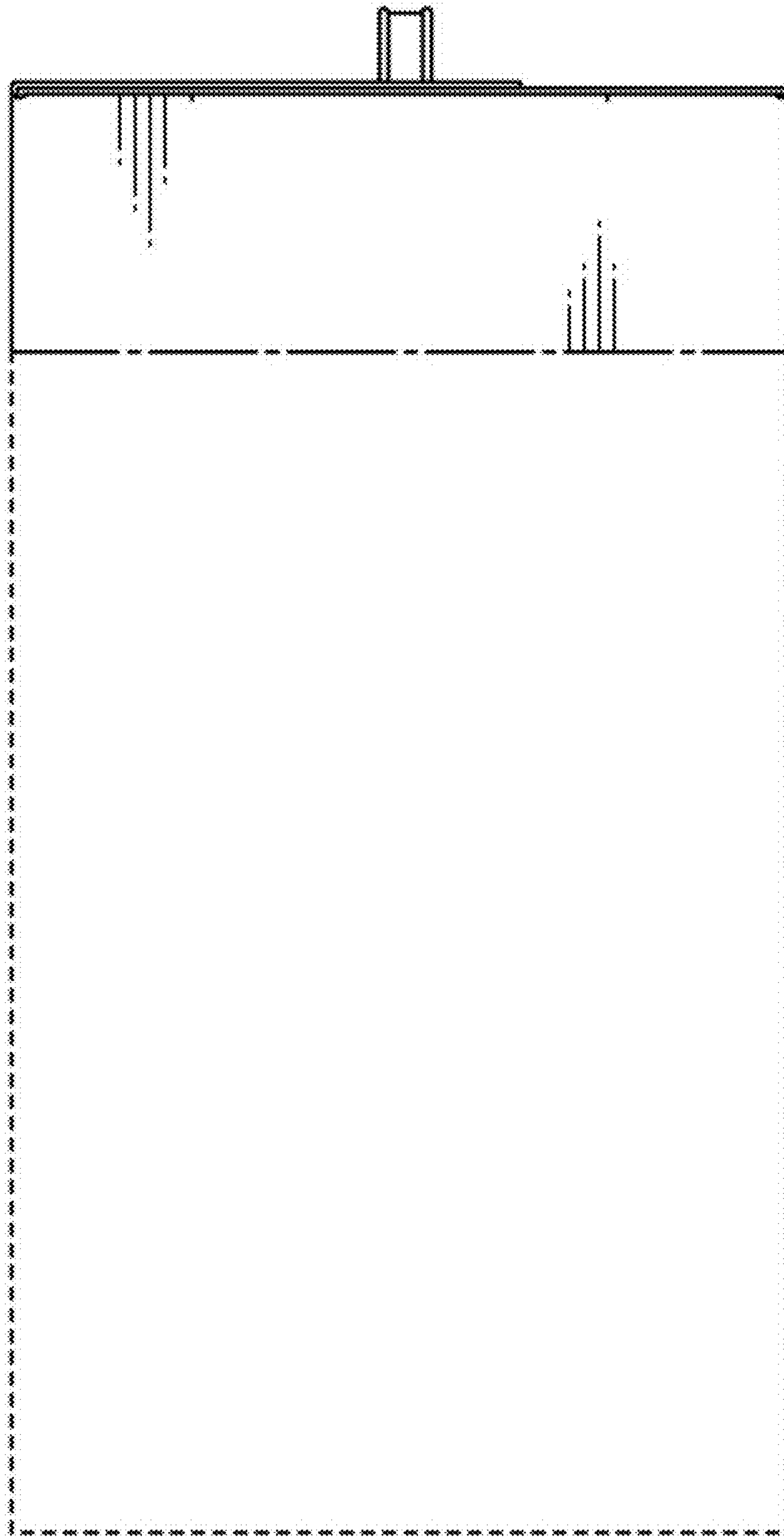


1.6





1.7



UNITED STATES PATENT AND TRADEMARK OFFICE  
**CERTIFICATE OF CORRECTION**

PATENT NO. : D820,078 S  
APPLICATION NO. : 35/501620  
DATED : June 12, 2018  
INVENTOR(S) : Masanori Uematsu

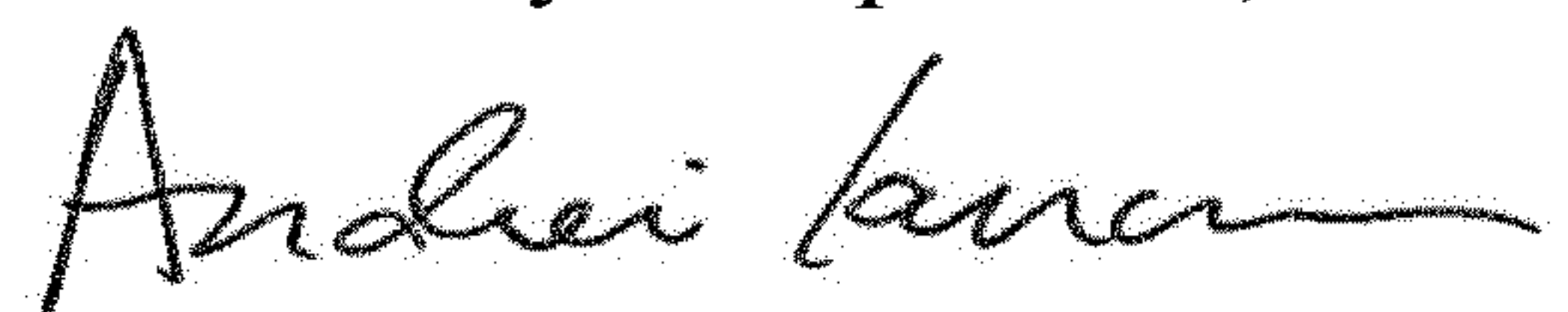
Page 1 of 1

It is certified that error appears in the above-identified patent and that said Letters Patent is hereby corrected as shown below:

On the Title Page

Page 2 Column 1 (56) References Cited section, Foreign Patent Documents, the following reference to be added:  
JP 2013-177152A 9/2013

Signed and Sealed this  
Fourth Day of September, 2018



Andrei Iancu  
*Director of the United States Patent and Trademark Office*