



US00D820077S

(12) **United States Design Patent**
Kellum, III

(10) **Patent No.:** **US D820,077 S**

(45) **Date of Patent:** **** Jun. 12, 2018**

(54) **TOP GUIDE FOR WINDOW BALANCE**

(71) Applicant: **Amesbury Group, Inc.**, Amesbury, MA (US)

(72) Inventor: **Wilbur James Kellum, III**, Garretson, SD (US)

(73) Assignee: **Amesbury Group, Inc.**, Amesbury, MA (US)

(**) Term: **15 Years**

(21) Appl. No.: **29/570,990**

(22) Filed: **Jul. 13, 2016**

(51) **LOC (11) Cl.** **08-09**

(52) **U.S. Cl.**
USPC **D8/400**

(58) **Field of Classification Search**
USPC D8/321, 380, 381, 400, 373, 354;
16/193, 197; 49/445, 447
CPC E05C 17/64; E05C 17/00; E05D 15/22;
E05D 15/16
See application file for complete search history.

(56) **References Cited**

U.S. PATENT DOCUMENTS

- 3,688,441 A * 9/1972 Rackard E05D 13/1253
49/446
- D313,170 S * 12/1990 Nye D8/382
- 6,622,342 B1 * 9/2003 Annes E05D 13/08
16/193
- 6,679,000 B2 * 1/2004 Uken E05D 13/08
16/197
- 7,191,562 B2 * 3/2007 Uken E05D 13/08
16/197
- 7,735,192 B2 * 6/2010 deNormand E05D 13/1207
16/193
- D719,437 S * 12/2014 Atkins D8/349
- D735,726 S * 8/2015 Chen D14/432
- D735,770 S * 8/2015 Schaffert D15/28
- 9,482,016 B2 * 11/2016 Kelley E04F 21/0007
- 9,580,950 B2 * 2/2017 Uken E05D 13/08

(Continued)

OTHER PUBLICATIONS

Spring balance window channel-2740 BS1, Swisco, posted at www.swisco.com on Mar. 14, 2013, © 2017 SWISCO.com, [online], site visited Jul. 17, 2017. Available from Internet, <URL:http://www.swisco.com/discussions/Spring-balance-window-channel-2740-BS1-77-25553>.*

(Continued)

Primary Examiner — Lakiya G Rogers
Assistant Examiner — Altaira J Swangin

(57) **CLAIM**

The ornamental design for a top guide for window balance, as shown and described.

DESCRIPTION

FIG. 1 is a perspective view of a top guide for window balance, as incorporated into a window balance, showing our new design.

FIG. 2 is a perspective view of the top guide for window balance of FIG. 1.

FIG. 3 is a front elevation view of the top guide for window balance of FIG. 1.

FIG. 4 is a back elevation view of the top guide for window balance of FIG. 1.

FIG. 5 is a right elevation view of the top guide for window balance of FIG. 1.

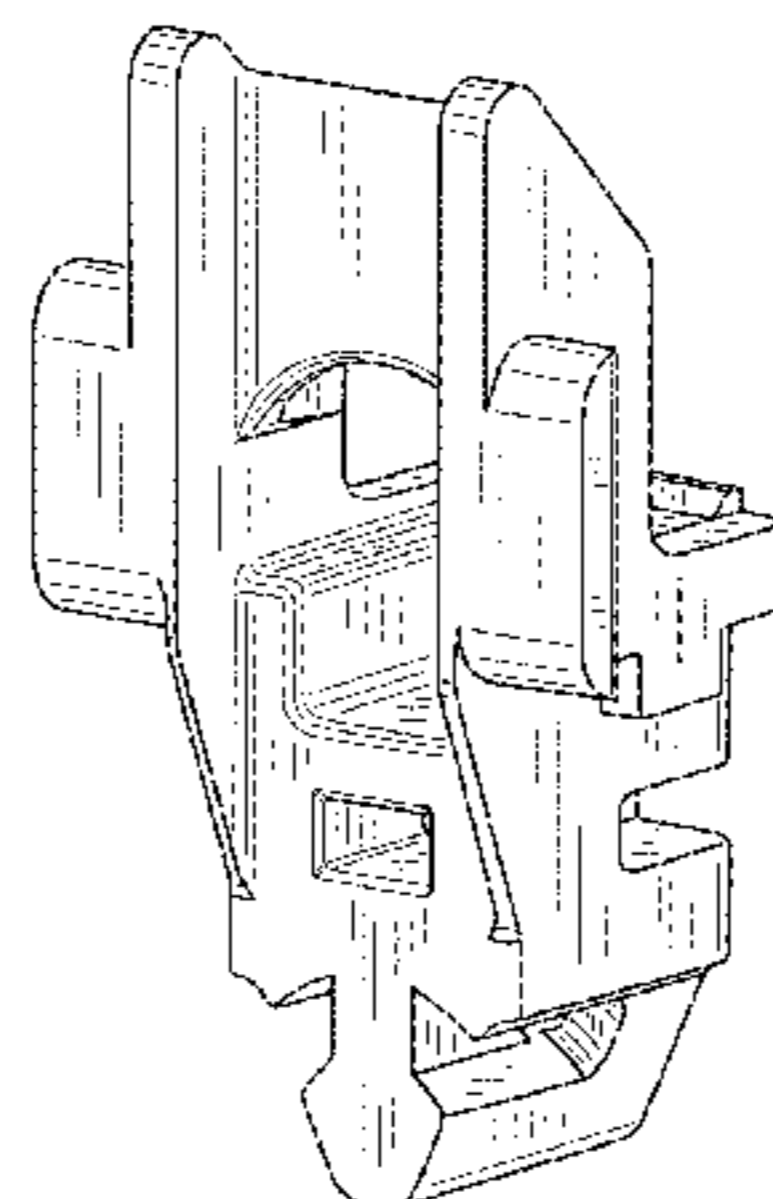
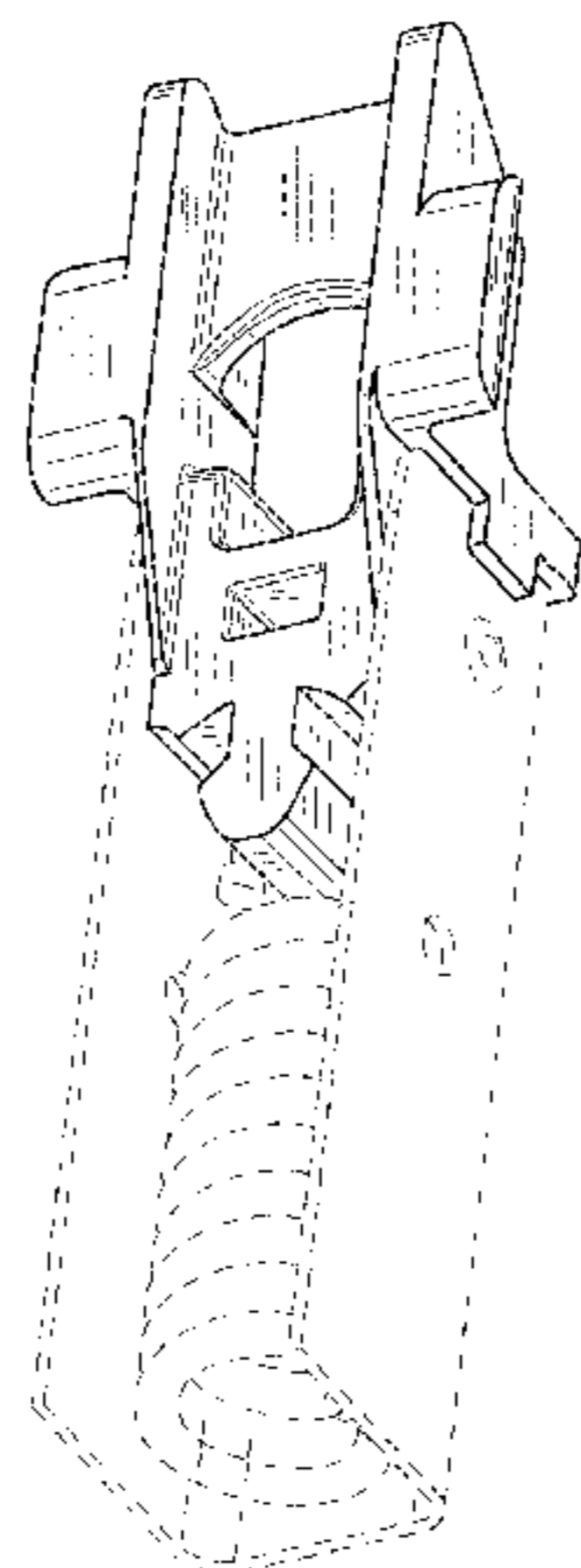
FIG. 6 is a left elevation view of the top guide for window balance of FIG. 1.

FIG. 7 is a top plan view of the top guide for window balance of FIG. 1; and,

FIG. 8 is a bottom plan view of the top guide for window balance of FIG. 1.

The broken lines illustrate the environment in which the article embodying the top guide for window balance is used and forms no part of the claimed design.

1 Claim, 7 Drawing Sheets



(56)

References Cited

U.S. PATENT DOCUMENTS

D781,137	S *	3/2017	Ezra	D8/400
D789,191	S *	6/2017	Webb	D8/400
D789,192	S *	6/2017	Webb	D8/400
D804,487	S *	12/2017	Theis	D14/447
9,856,685	B1 *	1/2018	Kelley	E05D 15/242
9,863,176	B2 *	1/2018	Kellum, III	E05D 13/14
2017/0211305	A1 *	7/2017	Uken	E05D 13/08
2017/0370138	A1 *	12/2017	Uken	E05D 13/1207
2018/0002960	A1 *	1/2018	Kelley	E05D 15/242

OTHER PUBLICATIONS

Top Bracket 60-508, 61 Series, Window Balances.com, catalog cut sheet posted at www.window-balances.com, posting date not given, © 2017 Window-Balances.com, [online], site visited Jul. 17, 2017.

Available from Internet, <URL: <http://www.window-balances.com/wp-content/uploads/2015/09/61-series1.pdf>>.*

Top Guide 57-500, 57 Series Non-Tilt Balances, Window Balances.com, catalog cut sheet posted at www.window-balances.com, posting date not given, © 2017 Window-Balances.com, [online], site visited Jul. 17, 2017. Available from Internet, <URL:<http://www.window-balances.com/wp-content/uploads/2015/09/57-and-58-series.pdf>>.*

Take-Out Balance—Side load B&T, 130 Series, Amesbury, catalog cut sheet posted at amesbury.com, posting date not given, © 2013 Amesbury Group, [online], site visited Jul. 17, 2017. Available from Internet, <URL: <http://www.amesbury.com/divisions/hardware-products/parts/49/4177>>.*

Take-Out Balance—Top Guides (winged), Side Load Take Out, 130 Series, Amesbury, catalog cut sheet posted at amesbury.com, posting date not given, © 2013 Amesbury Group, [online], site visited Jul. 17, 2017. Available from Internet, <URL:<http://www.amesbury.com/downloads/pdf/side-load-take-out.pdf>>.*

* cited by examiner

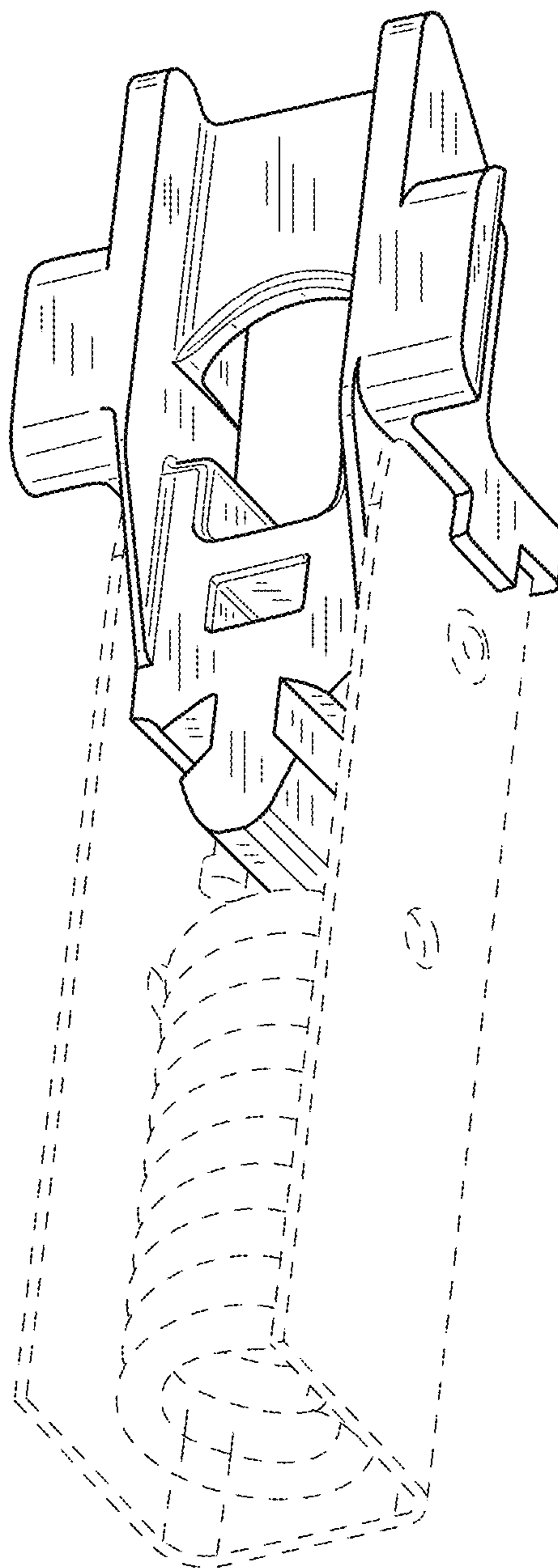


FIG. 1

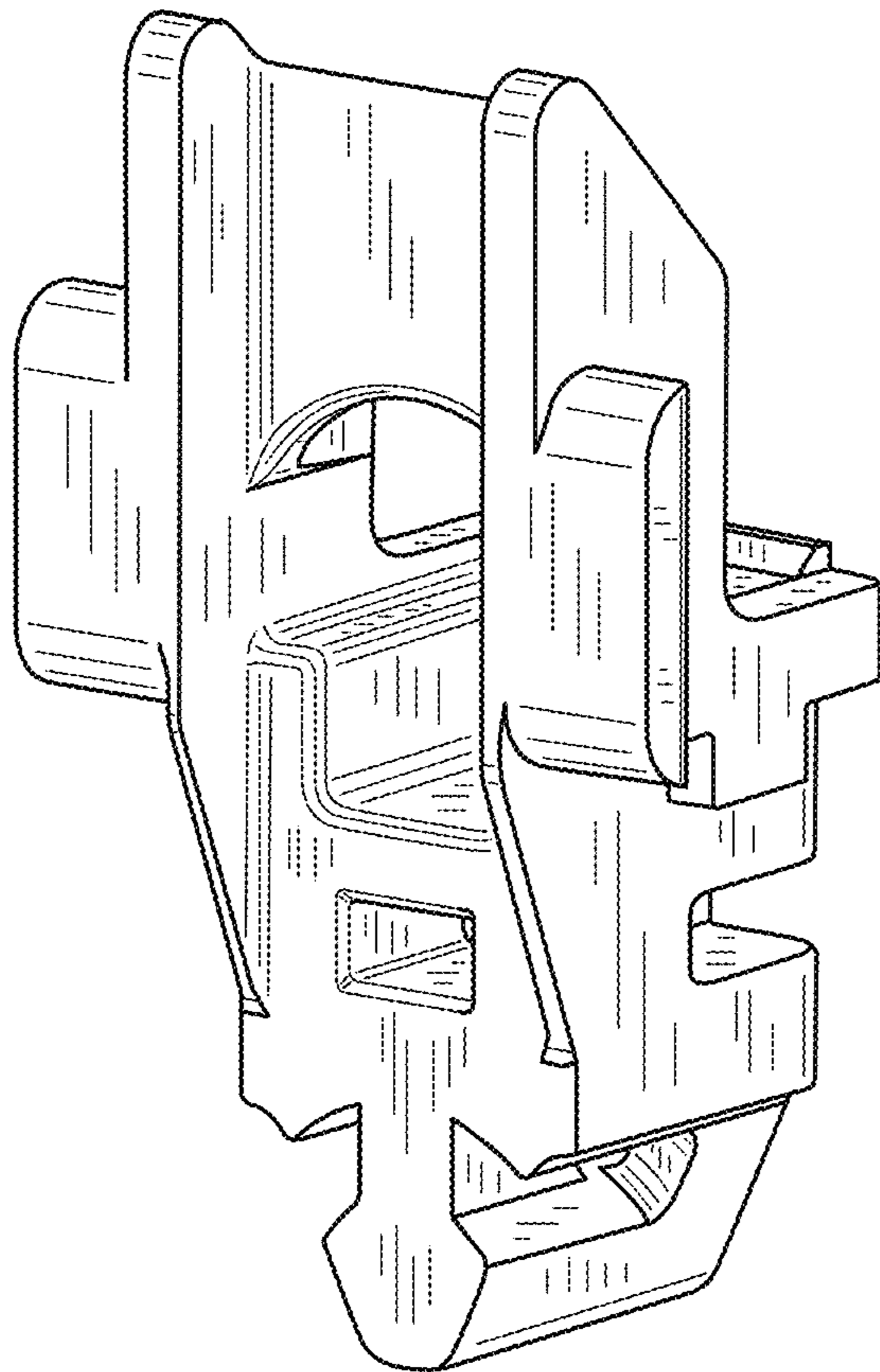


FIG.2

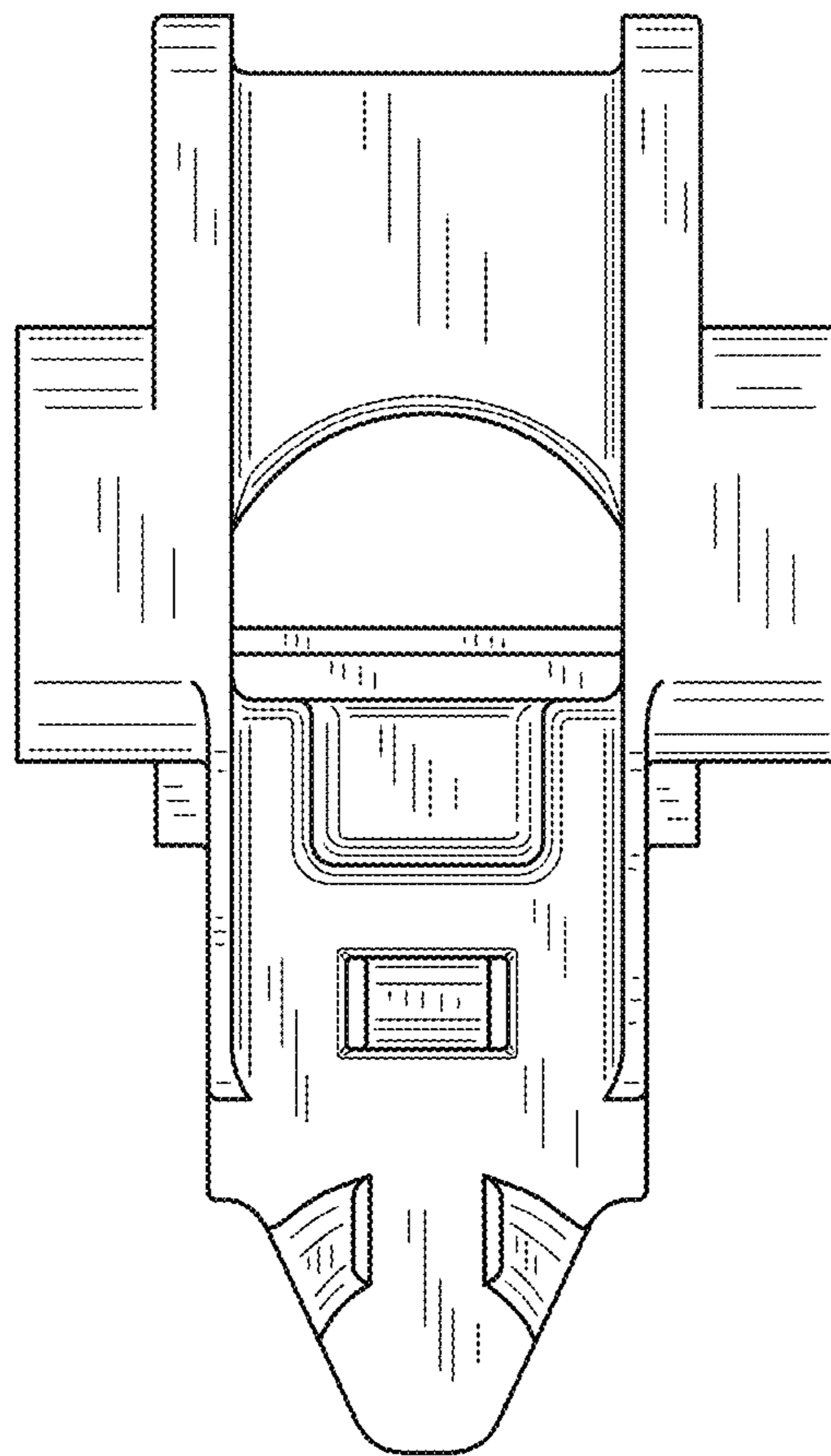


FIG.3

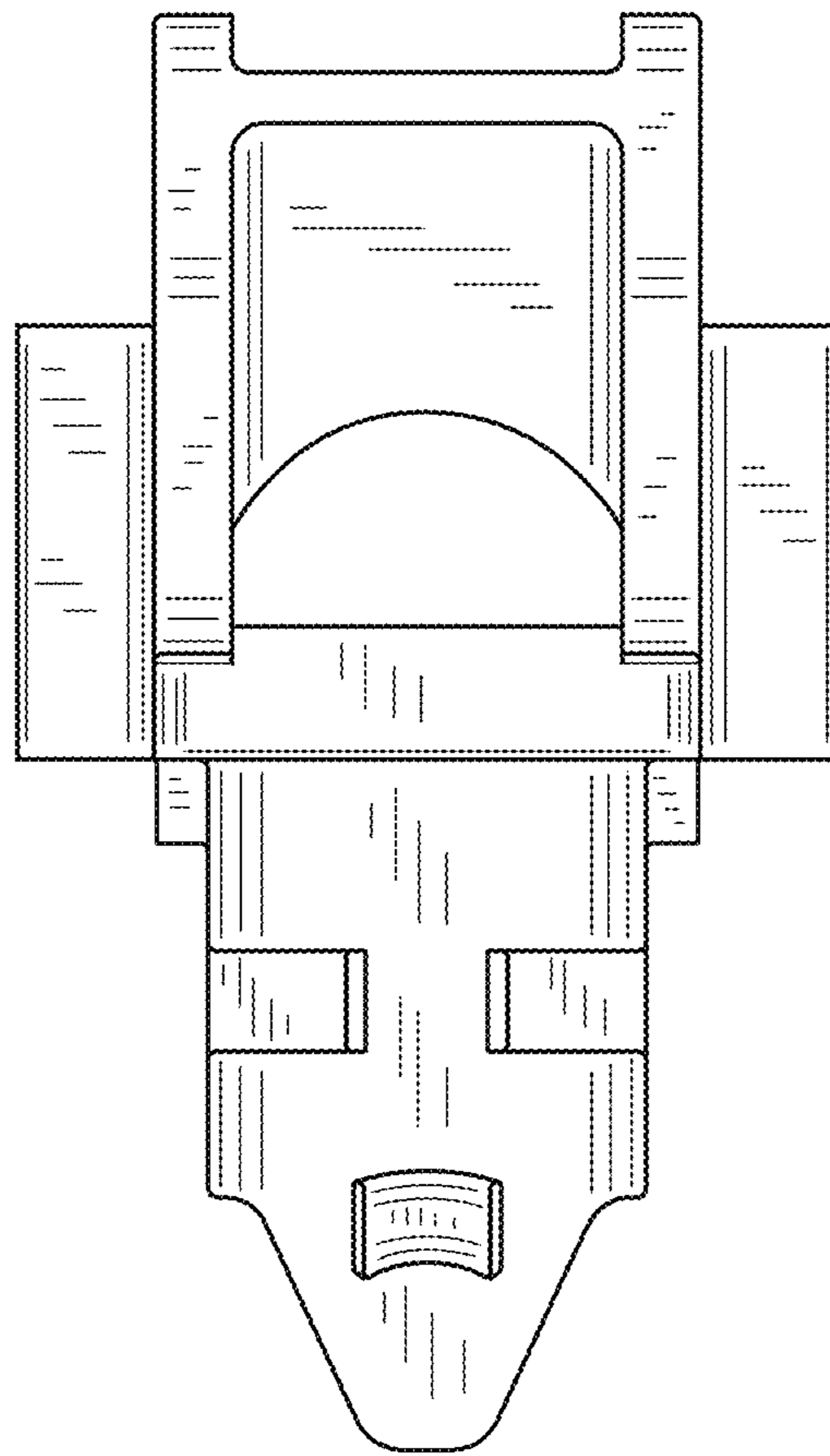


FIG.4

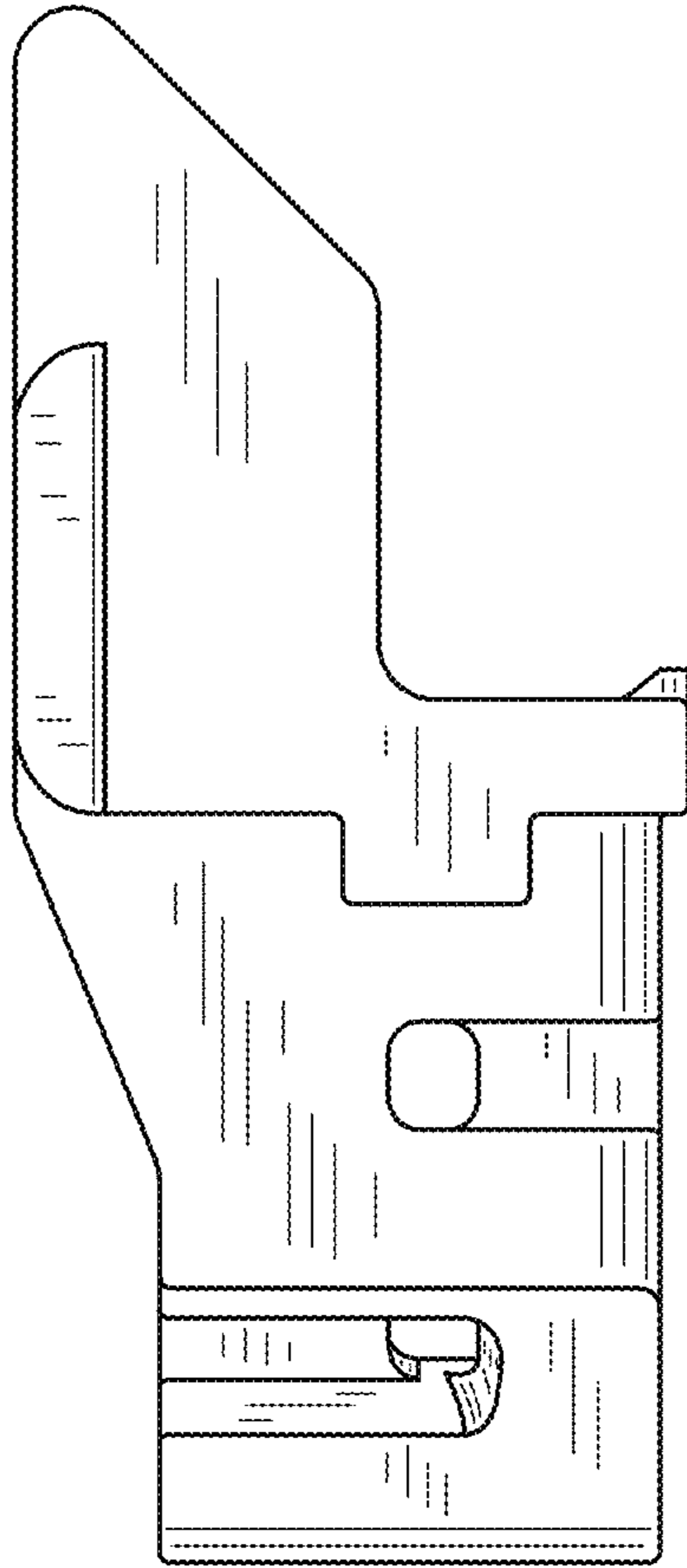


FIG.5

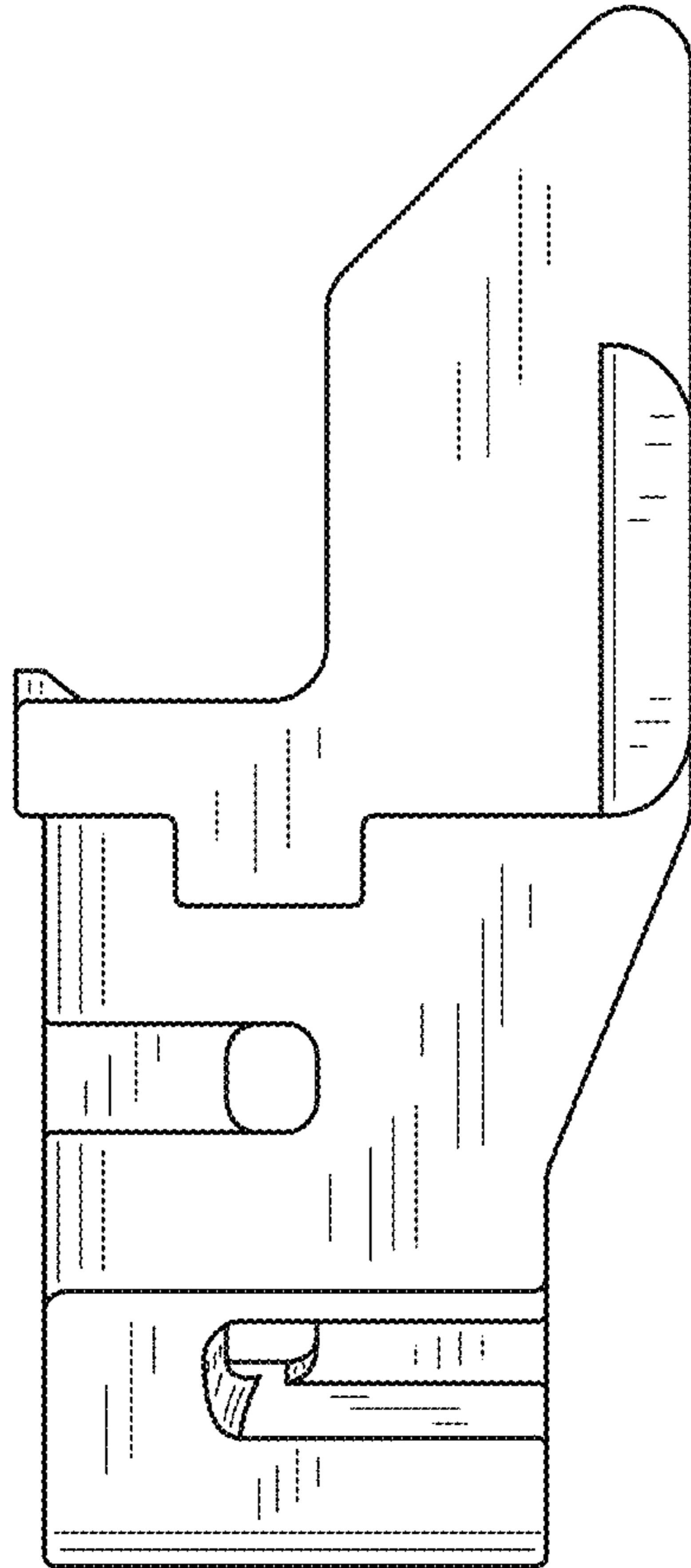


FIG.6

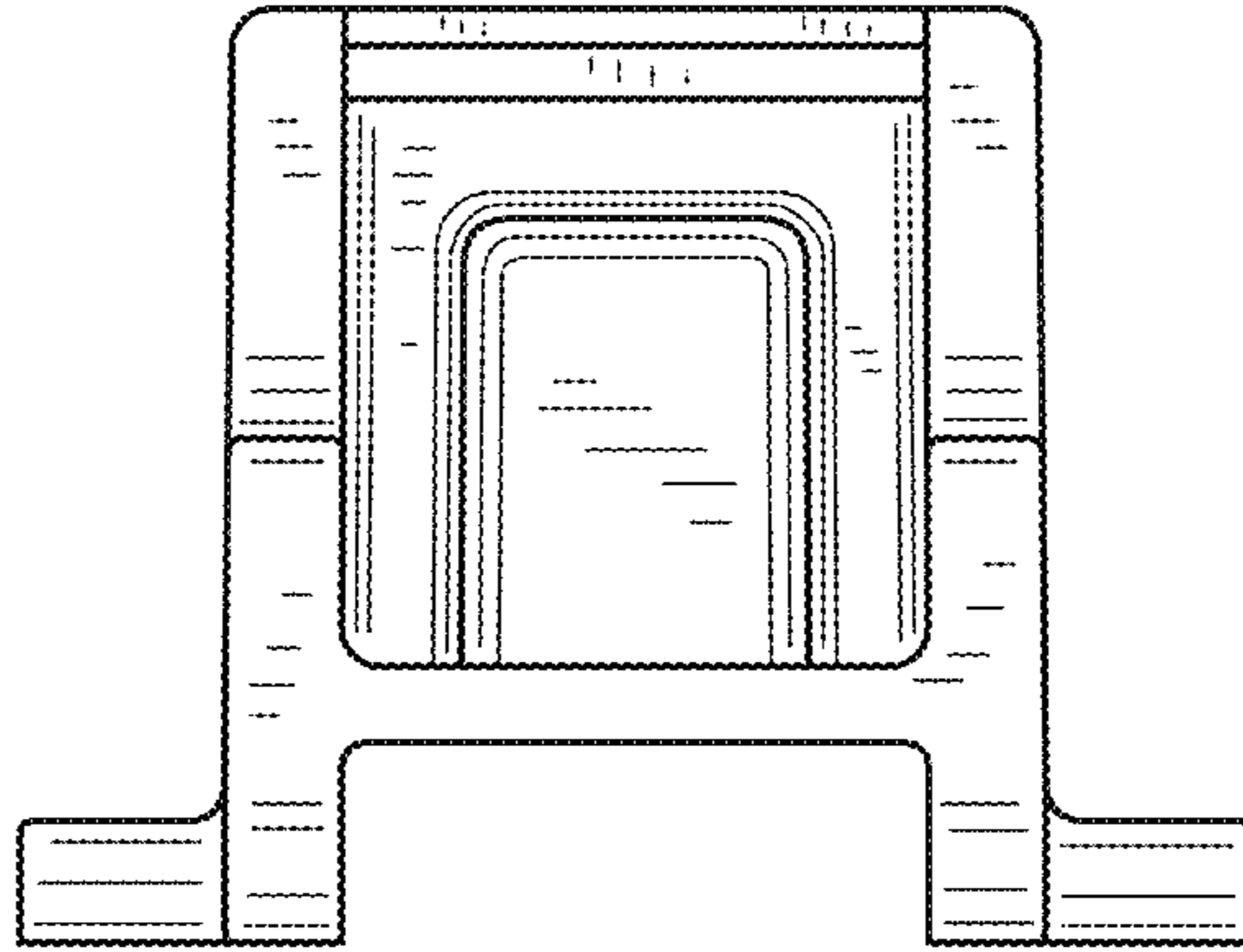


FIG. 7

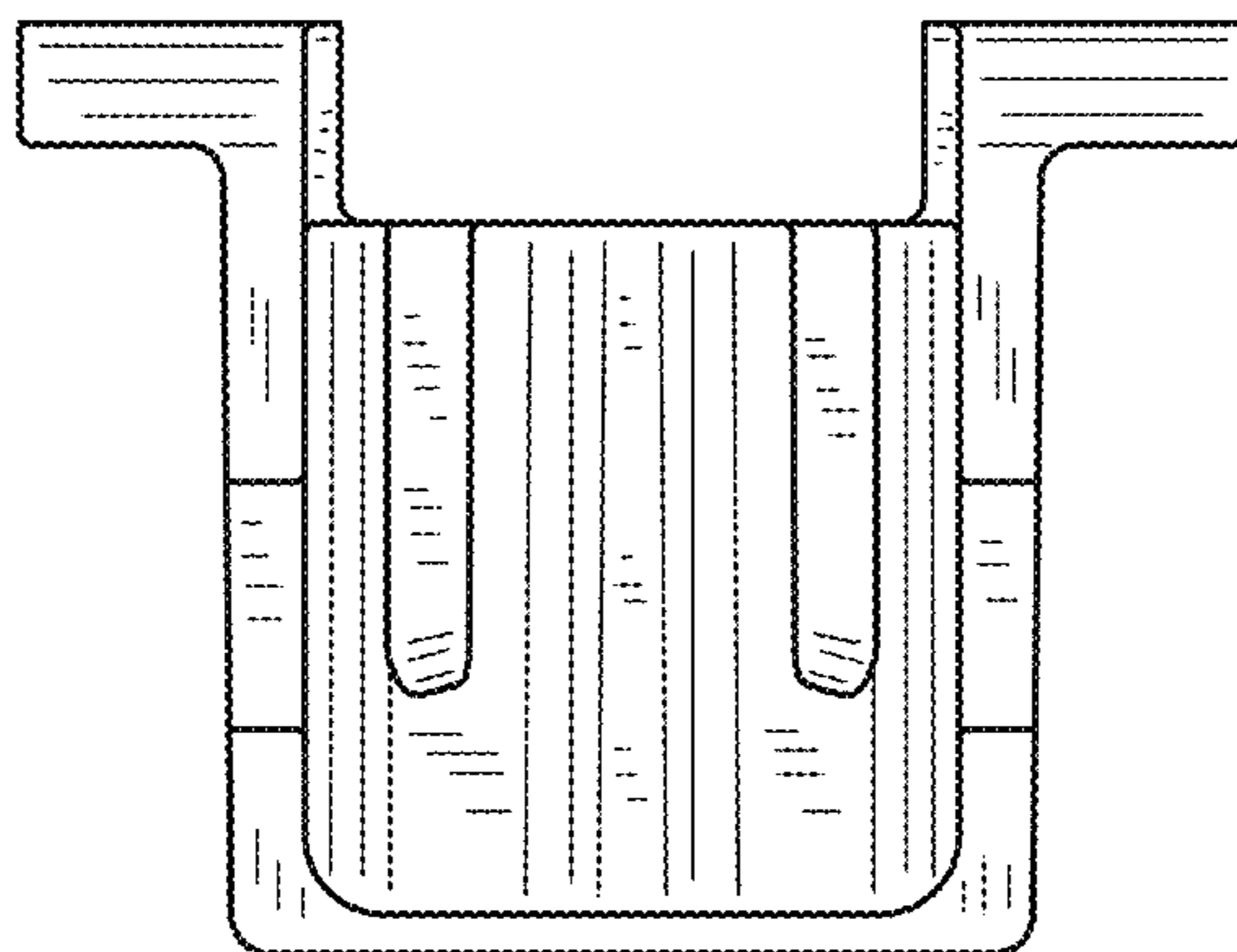


FIG. 8