



US00D820076S

(12) **United States Design Patent**
Ramirez et al.

(10) **Patent No.:** **US D820,076 S**
(45) **Date of Patent:** **** Jun. 12, 2018**

- (54) **PIPE COUPLING**
- (71) Applicant: **Victaulic Company**, Easton, PA (US)
- (72) Inventors: **Joseph C. Ramirez**, Breinigsville, PA (US); **Philip W. Bancroft**, Belvidere, NJ (US); **Matthew K. Huettemann**, Allentown, PA (US)
- (73) Assignee: **Victaulic Company**, Easton, PA (US)
- (**) Term: **15 Years**
- (21) Appl. No.: **29/598,954**
- (22) Filed: **Mar. 30, 2017**
- (51) **LOC (11) Cl.** **08-08**
- (52) **U.S. Cl.**
USPC **D8/396**
- (58) **Field of Classification Search**
USPC D8/394-396; D11/222
CPC B42F 1/00; A47G 25/80; B65D 63/00;
A63B 57/60; F16L 3/13
See application file for complete search history.

D629,076 S *	12/2010	Madara	D23/262
D629,496 S *	12/2010	Madara	D23/262
D653,103 S *	1/2012	Tomasi	D8/396
D681,440 S *	5/2013	Yu	D8/396
D692,294 S *	10/2013	Koeniger	D8/396
D755,621 S *	5/2016	Madara	D23/262
D756,212 S *	5/2016	Wilk, Jr.	D23/262

(Continued)

FOREIGN PATENT DOCUMENTS

CN	302854805	*	6/2014
KR	300881898.0000	*	11/2016

OTHER PUBLICATIONS

Victaulic has developed a grooved piping system, Contracting Business article 2016, site visited Mar. 15, 2018, [http://www.contractingbusiness.com/residential-hvac/2016-ahr-expo-victaulic-brings-pipin . . .](http://www.contractingbusiness.com/residential-hvac/2016-ahr-expo-victaulic-brings-pipin...) (Year: 2016).*

Primary Examiner — John Windmuller
Assistant Examiner — John R Yeh
(74) *Attorney, Agent, or Firm* — Ballard Spahr LLP

(57) **CLAIM**

We claim the ornamental design for a pipe coupling, as shown and described.

DESCRIPTION

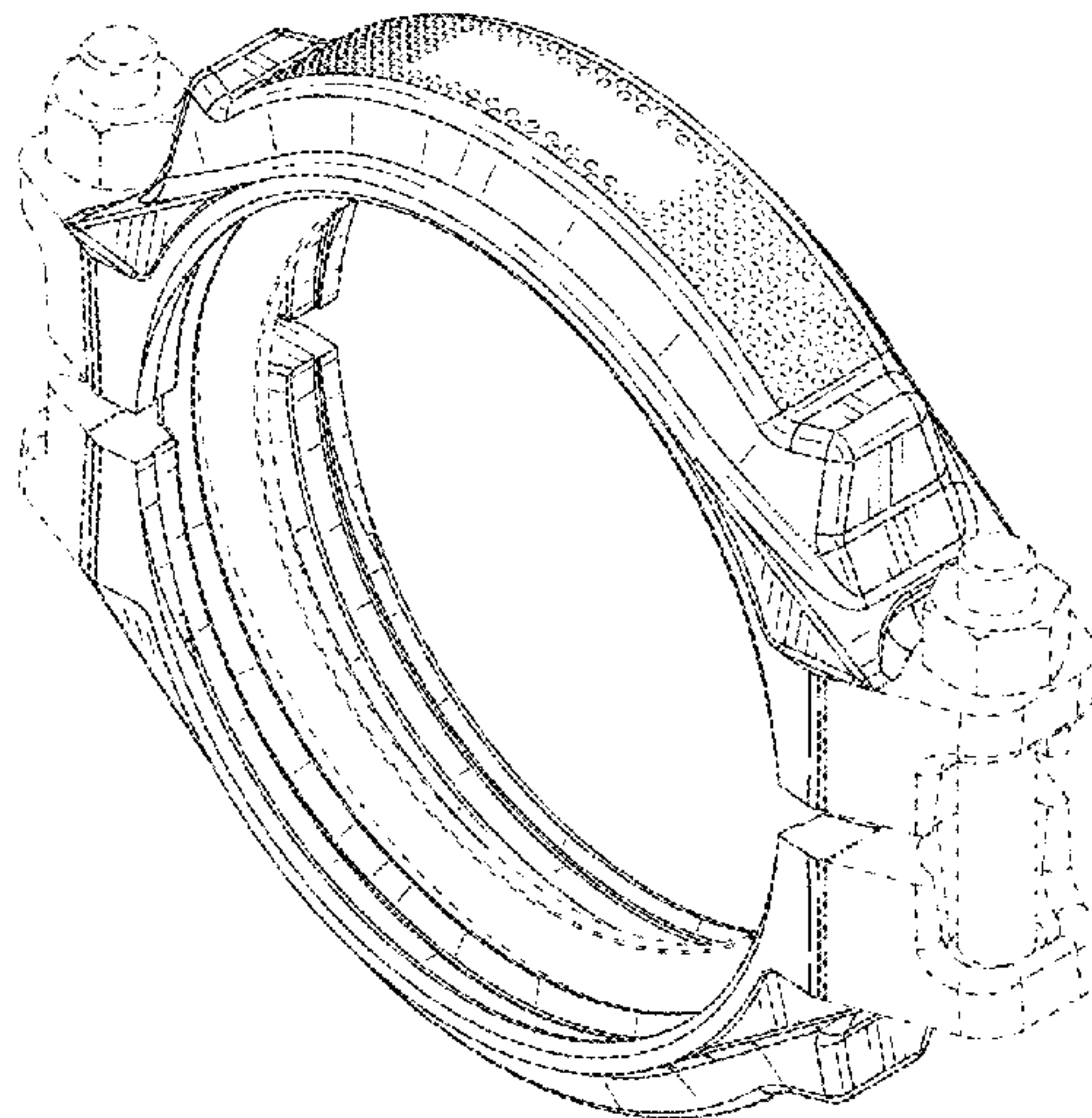
FIG. 1 is an isometric view for our design for a pipe coupling;
FIG. 2 is a front view thereof;
FIG. 3 is a left side view thereof, the right side view being a mirror image thereof;
FIG. 4 is a top view thereof; and,
FIG. 5 is a bottom view thereof.
The broken lines represent portions of the pipe coupling that form no part of the claimed design. The pattern of circles on the top and bottom of the pipe coupling are in broken line and form no part of the claimed design.

1 Claim, 3 Drawing Sheets

(56) **References Cited**

U.S. PATENT DOCUMENTS

D142,057 S *	8/1945	Baxter	D23/265
4,784,363 A *	11/1988	Brown	F16L 55/035 248/610
D298,802 S *	12/1988	Tekirian	D8/396
5,058,931 A *	10/1991	Bowsher	F16L 17/04 285/112
5,230,537 A *	7/1993	Newman	F16L 21/005 24/279
D396,801 S *	8/1998	Petty	D8/356
D553,971 S *	10/2007	Krueger	D8/396
D568,970 S *	5/2008	Gibb	D23/262
D577,423 S *	9/2008	Dole	D23/265
D583,444 S *	12/2008	Nagle	D23/262
D587,349 S *	2/2009	Madara	D23/265
D597,635 S *	8/2009	Dole	D23/262
D629,074 S *	12/2010	Shah	D23/262



(56)

References Cited

U.S. PATENT DOCUMENTS

9,631,746 B2 * 4/2017 Beagen, Jr. F16L 17/025
D805,888 S * 12/2017 De Los Santos D8/396
2004/0036291 A1 * 2/2004 Dole F16L 17/04
285/367
2005/0242585 A1 * 11/2005 Dole B21D 17/04
285/367
2015/0369405 A1 * 12/2015 Vandal F16L 17/04
285/337

* cited by examiner

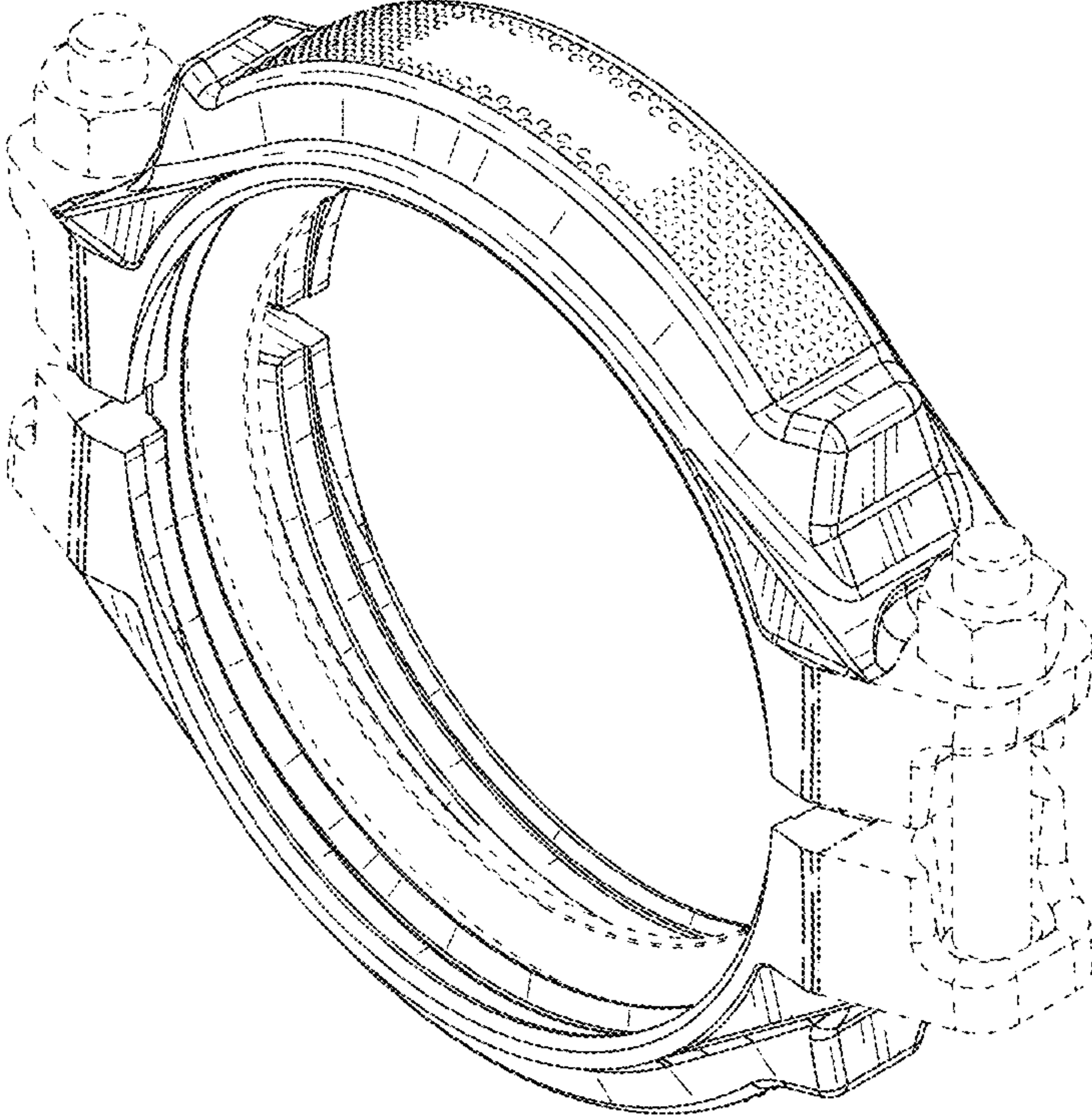


FIG. 1

FIG. 2

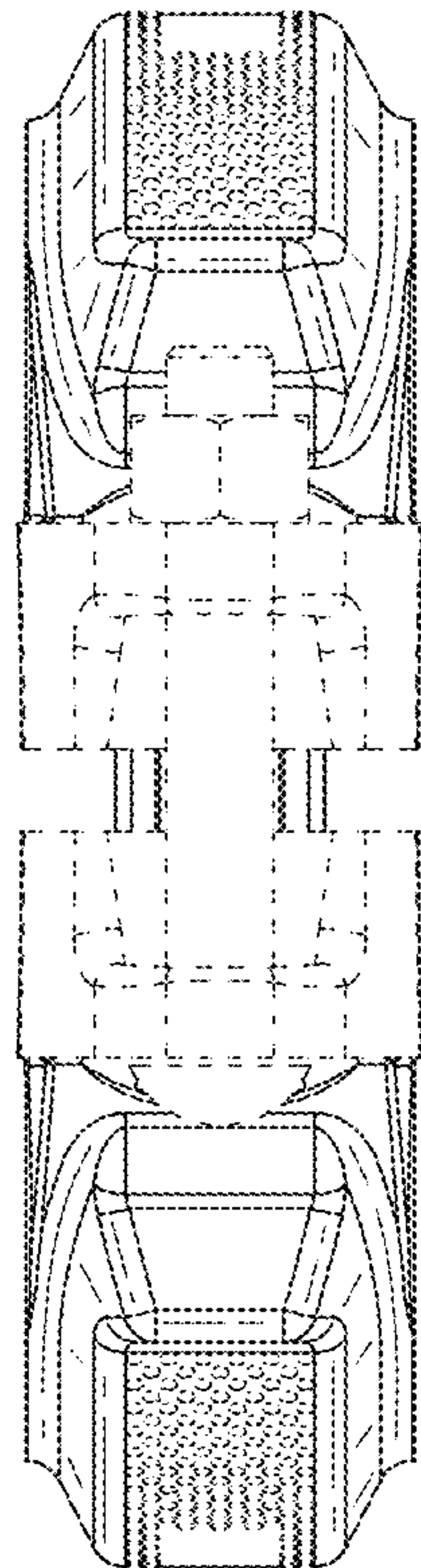
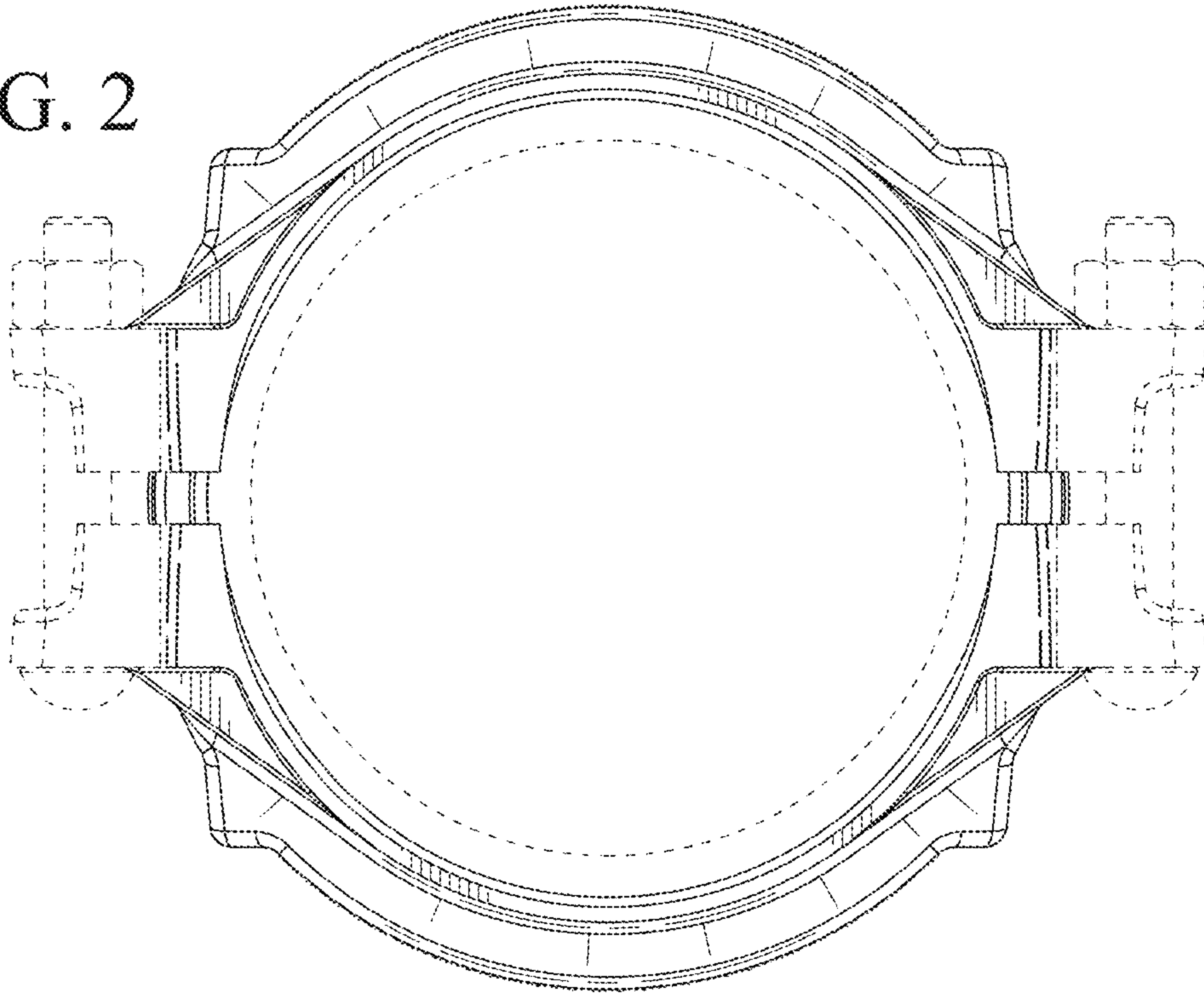


FIG. 3

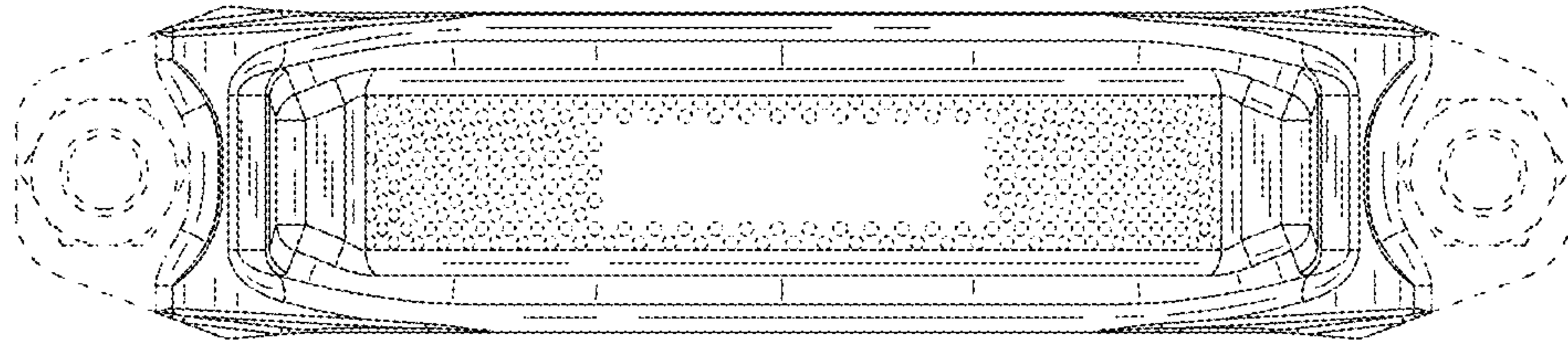


FIG. 4

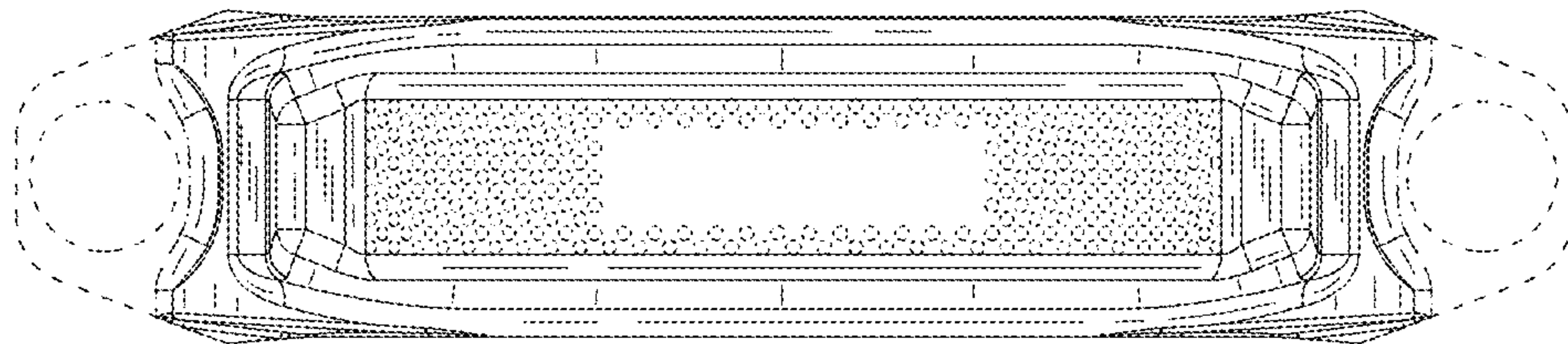


FIG. 5