



US00D820074S

(12) **United States Design Patent** (10) **Patent No.:** **US D820,074 S**
Huettemann et al. (45) **Date of Patent:** **** Jun. 12, 2018**

(54) **PIPE COUPLING**
(71) Applicant: **Victaulic Company**, Easton, PA (US)
(72) Inventors: **Matthew K. Huettemann**, Allentown, PA (US); **Joseph C. Ramirez**, Breinigsville, PA (US); **Philip W. Bancroft**, Belvidere, NJ (US)

D629,076 S * 12/2010 Madara D23/262
D629,496 S * 12/2010 Madara D23/262
D653,103 S * 1/2012 Tomasi D8/396
D681,440 S * 5/2013 Yu D8/396
D692,294 S * 10/2013 Koeniger D8/396
D755,621 S * 5/2016 Madara D23/262
D756,212 S * 5/2016 Wilk, Jr. D23/262

(Continued)

FOREIGN PATENT DOCUMENTS

CN 302854805 * 6/2014
KR 300881898.0000 * 11/2016

(73) Assignee: **Victaulic Company**, Easton, PA (US)
(**) Term: **15 Years**

OTHER PUBLICATIONS

(21) Appl. No.: **29/598,952**
(22) Filed: **Mar. 30, 2017**
(51) **LOC (11) Cl.** **08-08**
(52) **U.S. Cl.**
USPC **D8/394**; D8/396
(58) **Field of Classification Search**
USPC D8/394-396; D11/222
CPC B42F 1/00; A47G 25/80; B65D 63/00;
A63B 57/60; F16L 3/13
See application file for complete search history.

Victaulic has developed a grooved piping system, Contracting Business article 2016, site visited Mar. 15, 2018, [http://www.contractingbusiness.com/residential-hvac/2016-ahr-expo-victaulic-brings-pipin . . .](http://www.contractingbusiness.com/residential-hvac/2016-ahr-expo-victaulic-brings-pipin...) (Year: 2016).*

Primary Examiner — John Windmuller
Assistant Examiner — John R Yeh
(74) *Attorney, Agent, or Firm* — Ballard Spahr, LLP

(56) **References Cited**

(57) **CLAIM**

We claim the ornamental design for a pipe coupling, as shown and described.

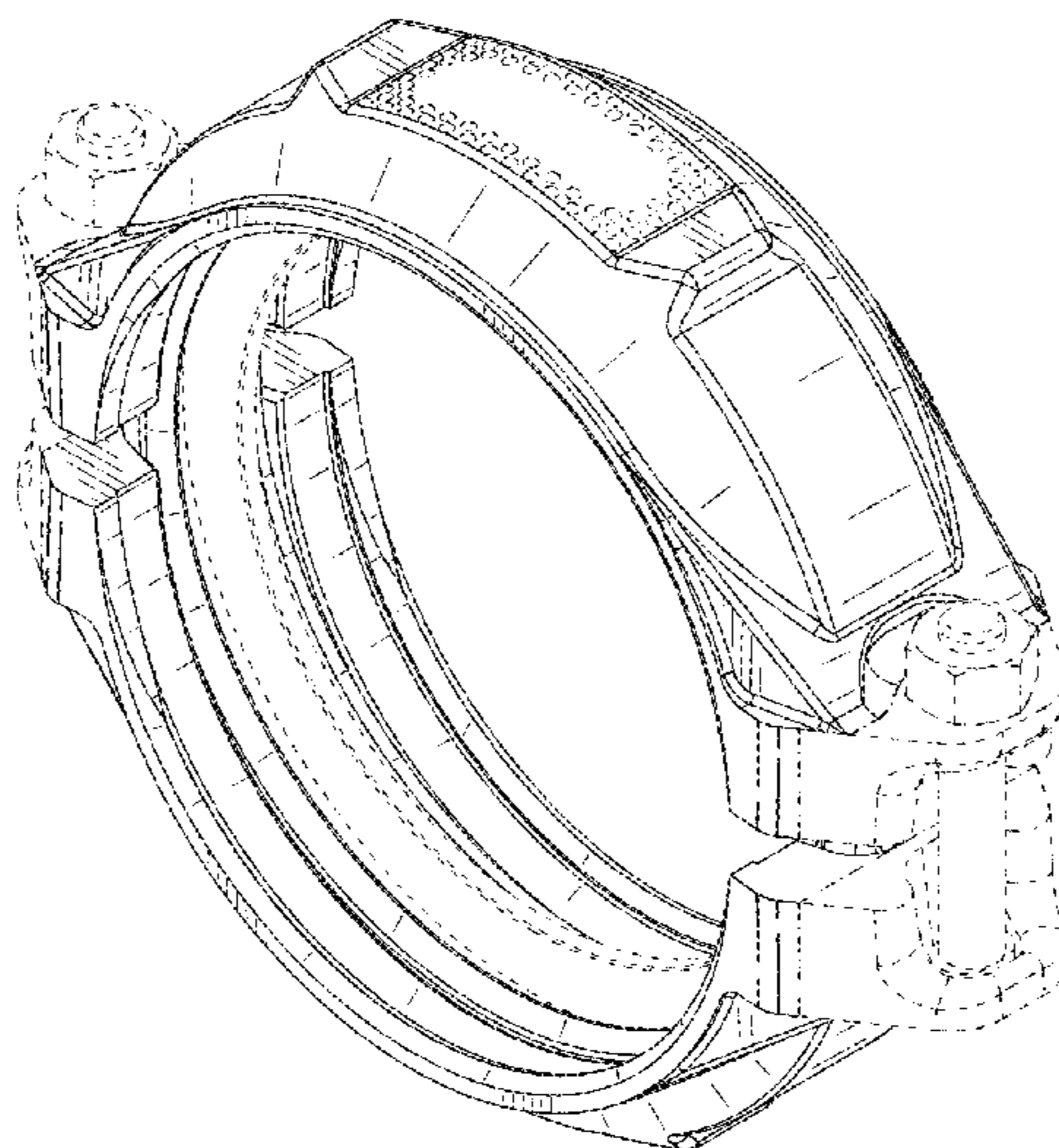
U.S. PATENT DOCUMENTS

DESCRIPTION

D142,057 S * 8/1945 Baxter D23/265
4,784,363 A * 11/1988 Brown F16L 55/035
248/610
D298,802 S * 12/1988 Tekirian D8/396
5,058,931 A * 10/1991 Bowsher F16L 17/04
285/112
5,230,537 A * 7/1993 Newman F16L 21/005
24/279
D396,801 S * 8/1998 Petty D8/356
D553,971 S * 10/2007 Krueger D8/396
D568,970 S * 5/2008 Gibb D23/262
D577,423 S * 9/2008 Dole D23/265
D583,444 S * 12/2008 Nagle D23/262
D587,349 S * 2/2009 Madara D23/265
D597,635 S * 8/2009 Dole D23/262
D629,074 S * 12/2010 Shah D23/262

FIG. 1 is an isometric view for our design for a pipe coupling;
FIG. 2 is a front view thereof;
FIG. 3 is a left side view thereof, the right side view being a mirror image thereof;
FIG. 4 is a top view thereof; and,
FIG. 5 is a bottom view thereof.
The broken lines represent portions of the pipe coupling that form no part of the claimed design. The pattern of circles on the top and bottom of the pipe coupling are in broken line and form no part of the claimed design.

1 Claim, 3 Drawing Sheets



(56)

References Cited

U.S. PATENT DOCUMENTS

9,631,746 B2 * 4/2017 Beagen, Jr. F16L 17/025
D805,888 S * 12/2017 De Los Santos D8/396
2004/0036291 A1 * 2/2004 Dole F16L 17/04
285/367
2005/0242585 A1 * 11/2005 Dole B21D 17/04
285/367
2015/0369405 A1 * 12/2015 Vandal F16L 17/04
285/337

* cited by examiner

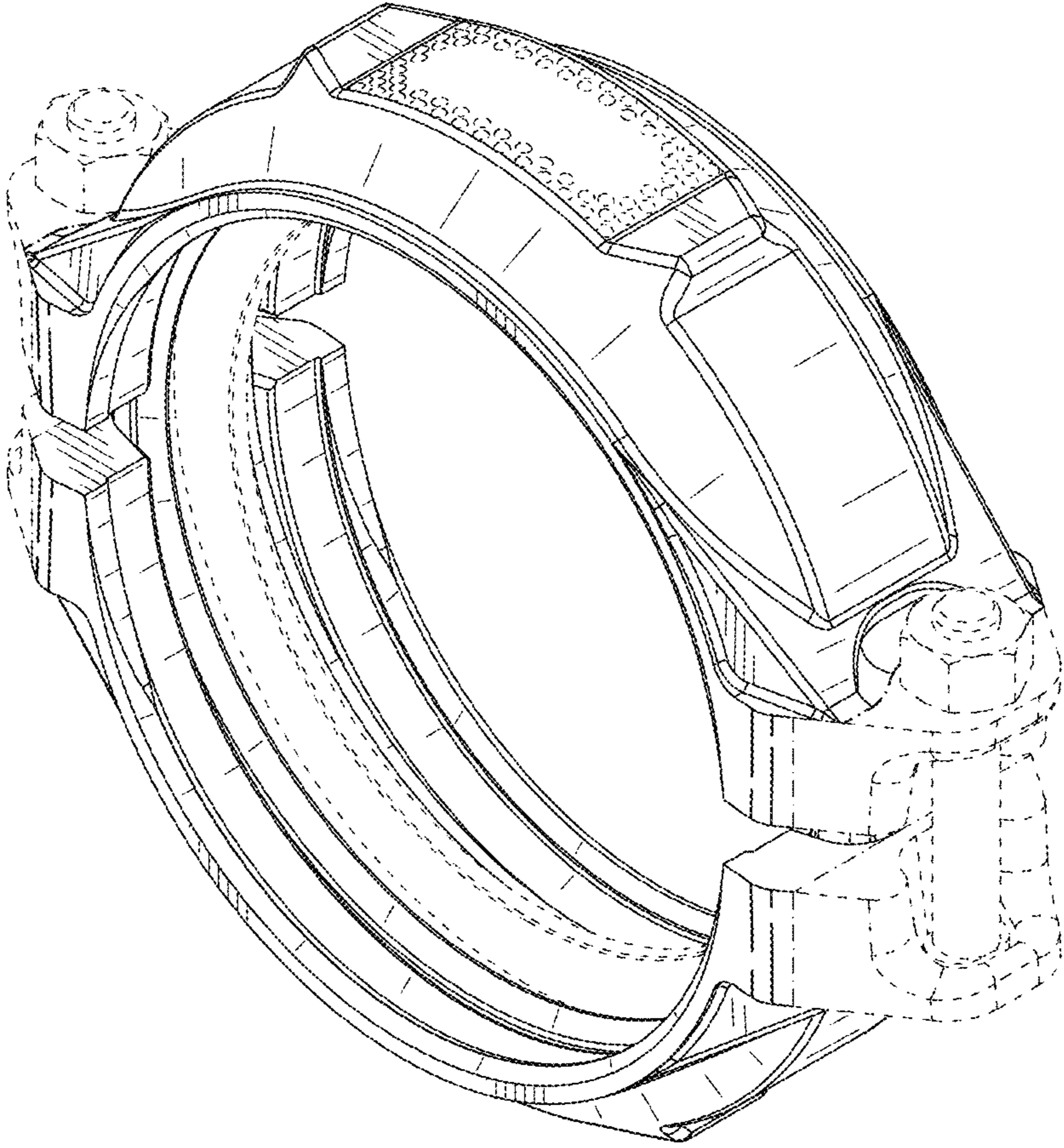


FIG. 1

FIG. 2

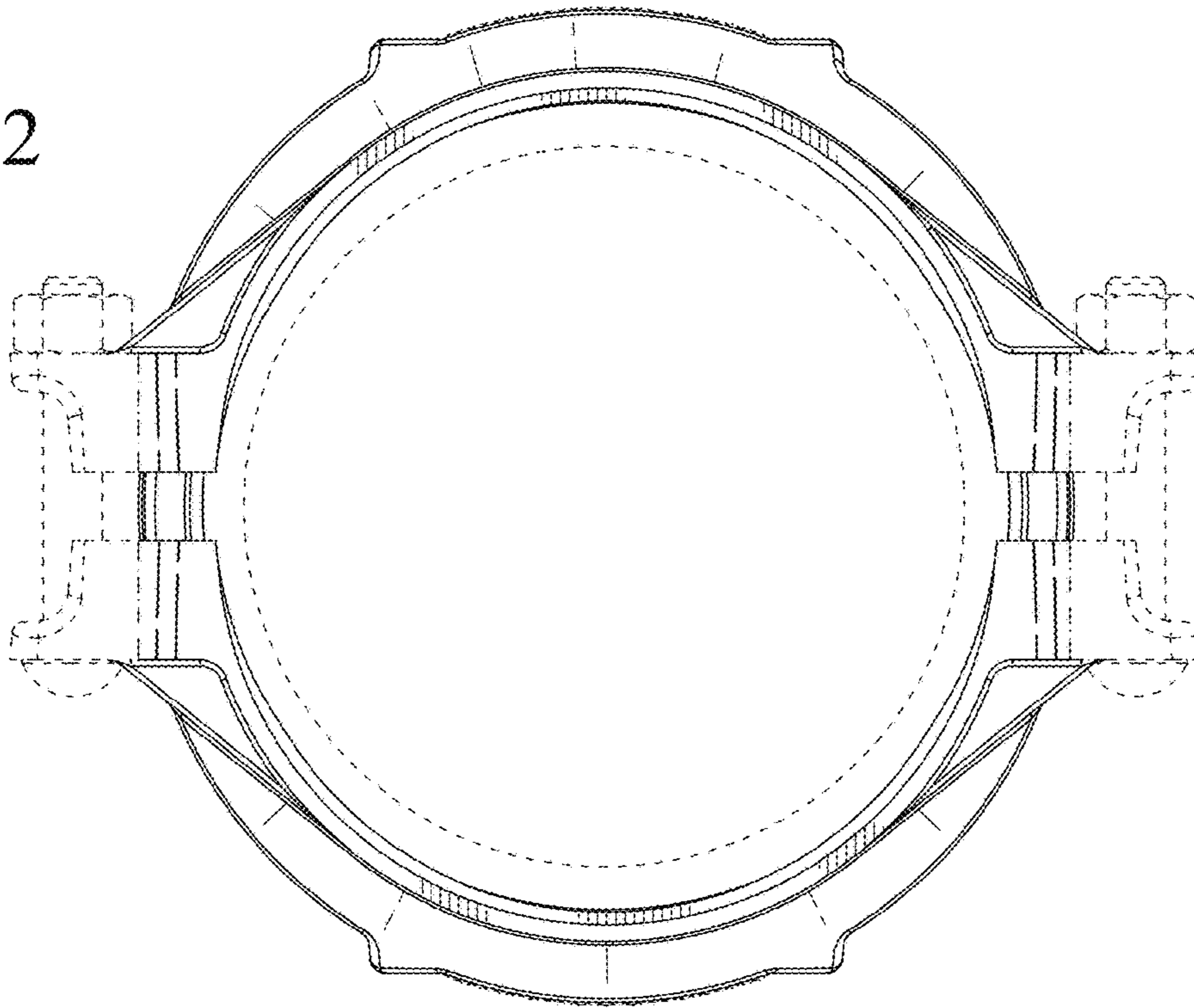
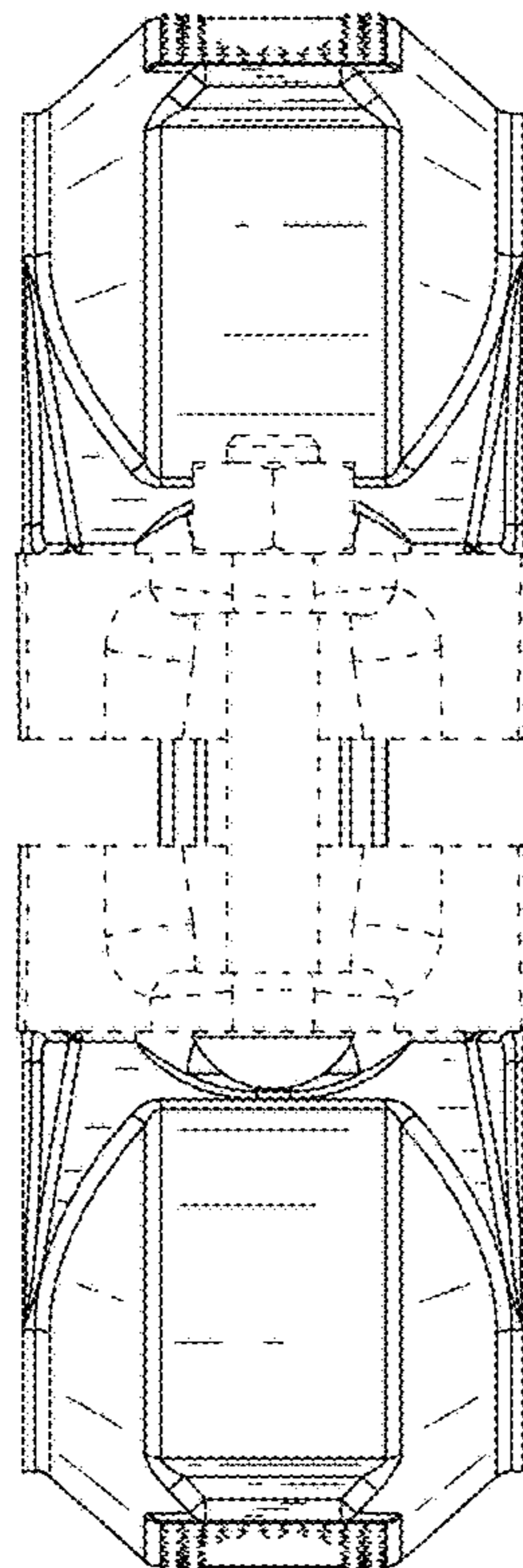


FIG. 3



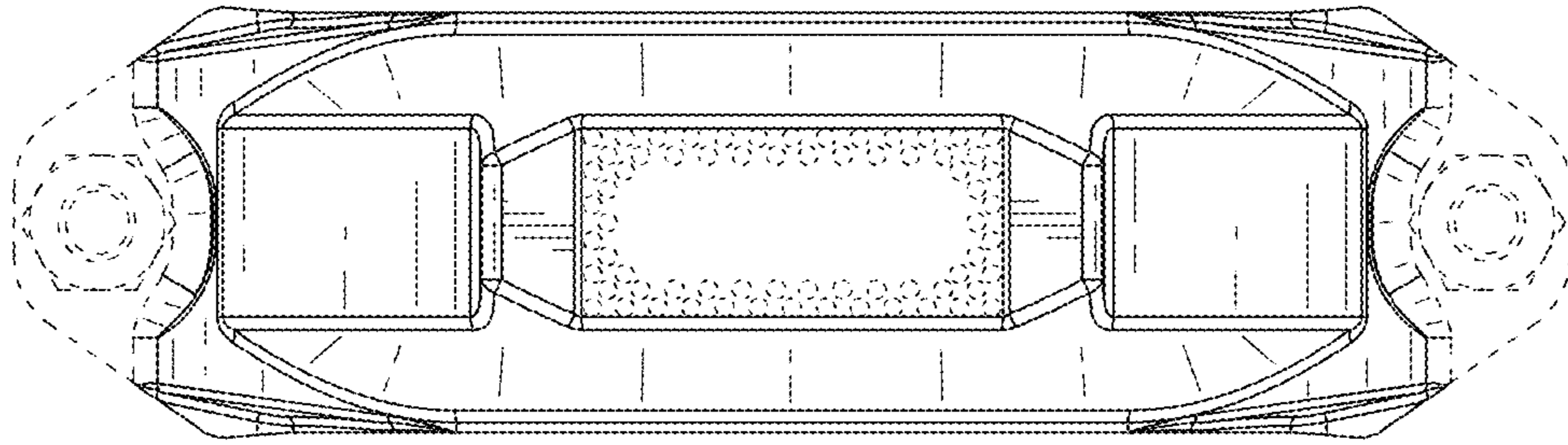


FIG. 4

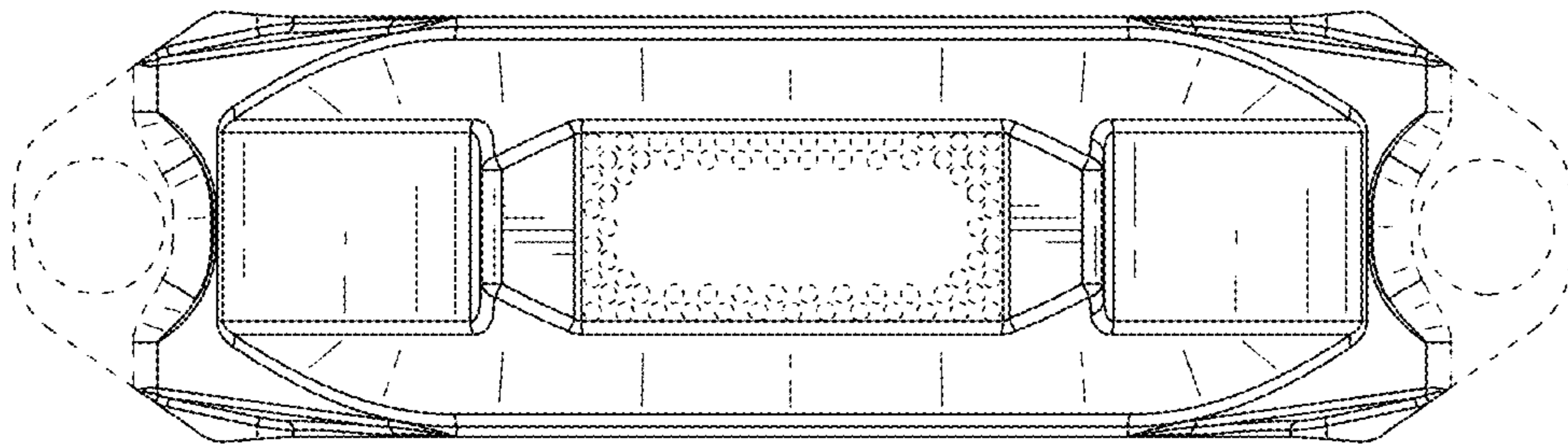


FIG. 5