



US00D820073S

(12) **United States Design Patent**
Iacono

(10) **Patent No.:** **US D820,073 S**
(45) **Date of Patent:** **** Jun. 12, 2018**

- (54) **DOWEL PIN**
- (71) Applicant: **Evolve Products Group, LLC**,
Oakbrook Terrace, IL (US)
- (72) Inventor: **John R. Iacono**, Elmhurst, IL (US)
- (73) Assignee: **EVOLVE PRODUCTS GROUP, LLC**,
Oakbrook Terrace, IL (US)
- (**) Term: **15 Years**
- (21) Appl. No.: **29/597,364**
- (22) Filed: **Mar. 16, 2017**
- (51) **LOC (11) Cl.** **08-08**
- (52) **U.S. Cl.**
USPC **D8/382; D23/262**
- (58) **Field of Classification Search**
USPC D8/349, 382, 385, 387, 388, 391, 393;
D23/258, 262
CPC F16B 2012/103; F16B 12/24; F16B 12/30;
F16B 12/36; F16B 2012/403; F16B
21/082; E05Y 2600/61; E05Y 2600/622
See application file for complete search history.

(56) **References Cited**

U.S. PATENT DOCUMENTS

- 509,458 A * 11/1893 Still F16L 37/091
285/251
- 928,237 A * 7/1909 Baird F16L 33/30
285/239
- 1,996,855 A * 4/1935 Cheswright F16L 33/30
285/239
- 3,405,592 A * 10/1968 Blodee F16B 12/24
403/292
- 3,736,834 A * 6/1973 MacDonald F16B 21/06
403/293
- 3,883,258 A * 5/1975 Hewson F16B 12/24
403/292
- 3,943,818 A * 3/1976 Pryor E01B 3/10
238/37

- 3,966,339 A * 6/1976 Nemecek F16B 12/24
403/292
- 4,454,699 A * 6/1984 Strobl F16B 21/082
403/298
- 4,597,594 A * 7/1986 Kacalief F16L 31/00
285/239
- 4,681,477 A * 7/1987 Fischer F16B 12/04
206/219
- D318,102 S * 7/1991 Papai 285/239
- D333,178 S * 2/1993 Novy 285/239
- 5,685,682 A * 11/1997 Glime F16B 5/0225
411/510
- 5,772,551 A * 6/1998 Mabie F16G 3/00
24/33 P
- 6,176,662 B1 * 1/2001 Champney F16B 19/1045
411/171
- 7,766,396 B1 * 8/2010 Elbaz F16L 33/24
285/151.1
- D654,150 S * 2/2012 Bonhag D23/259
- 8,511,962 B2 * 8/2013 Schuech F16B 21/082
411/388

(Continued)

Primary Examiner — Sandra S Snapp
Assistant Examiner — Ieisha N Price
(74) *Attorney, Agent, or Firm* — Daniel A. Tallitsch;
Baker McKenzie LLP

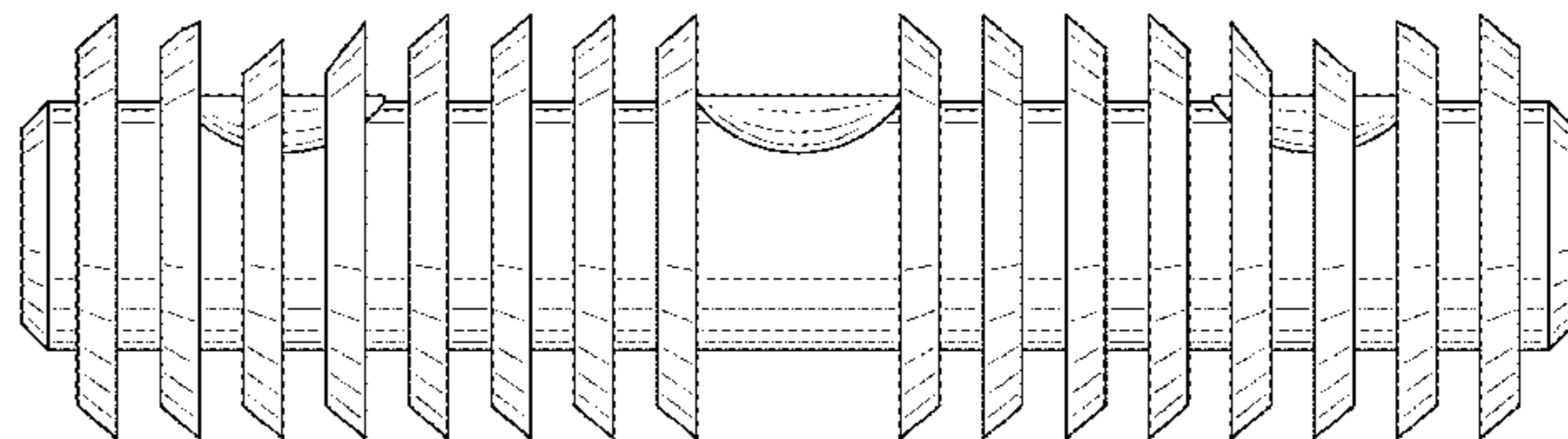
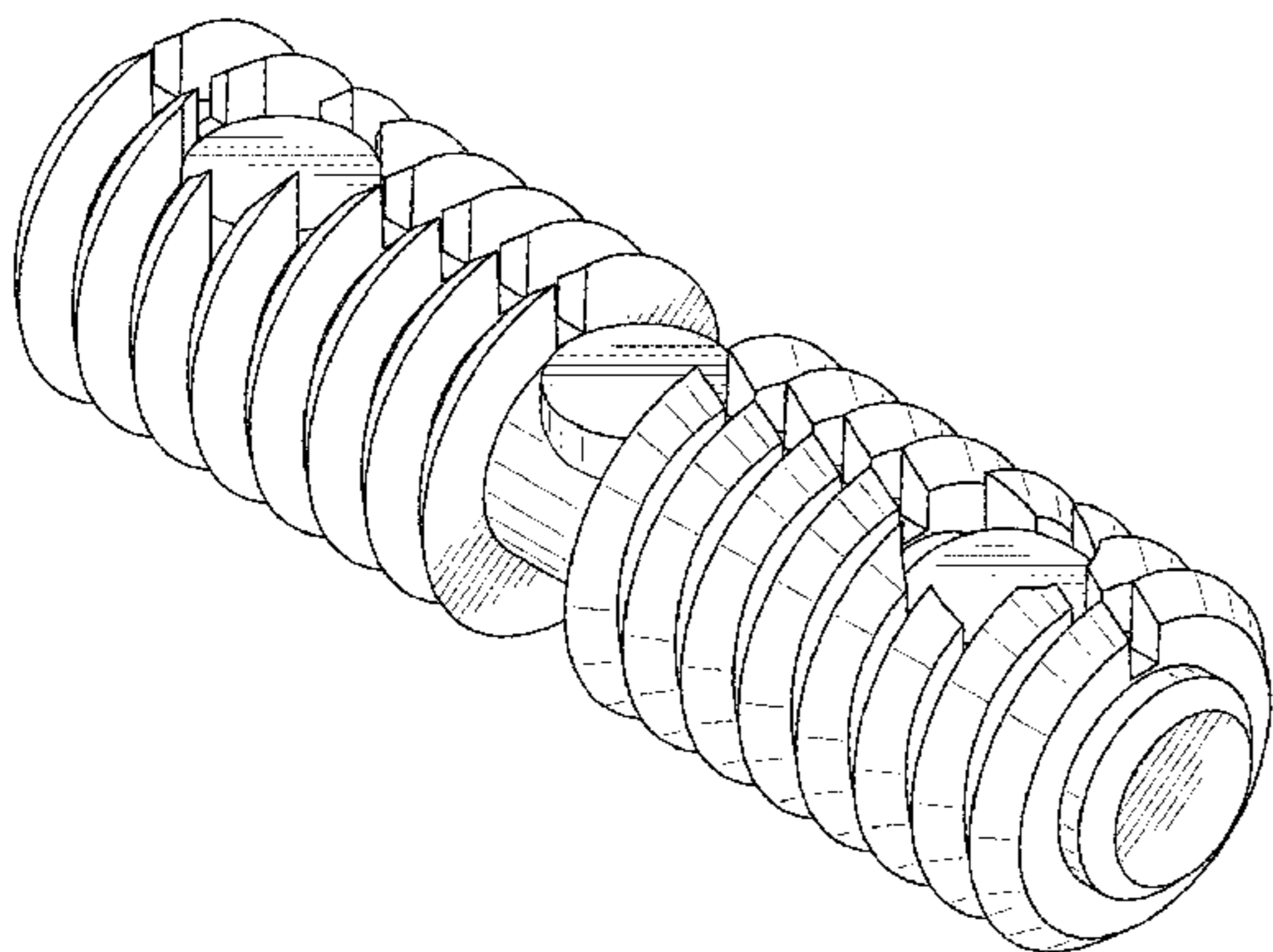
(57) **CLAIM**

The ornamental design for a dowel pin, as shown and described.

DESCRIPTION

FIG. 1 is a perspective view showing my new design;
FIG. 2 is a right elevational view thereof;
FIG. 3 is a left elevational view thereof;
FIG. 4 is an end elevational view thereof;
FIG. 5 is an opposite end elevational view thereof;
FIG. 6 is a top plan view thereof; and,
FIG. 7 is a bottom plan view thereof.

1 Claim, 4 Drawing Sheets



(56)

References Cited

U.S. PATENT DOCUMENTS

D774,628 S * 12/2016 Provenzano D23/262
2005/0067019 A1* 3/2005 Trueb F16B 21/082
137/375
2014/0081340 A1* 3/2014 McDaniel A61B 17/844
606/318
2014/0169912 A1* 6/2014 Sutterluetti E05D 5/02
411/389

* cited by examiner

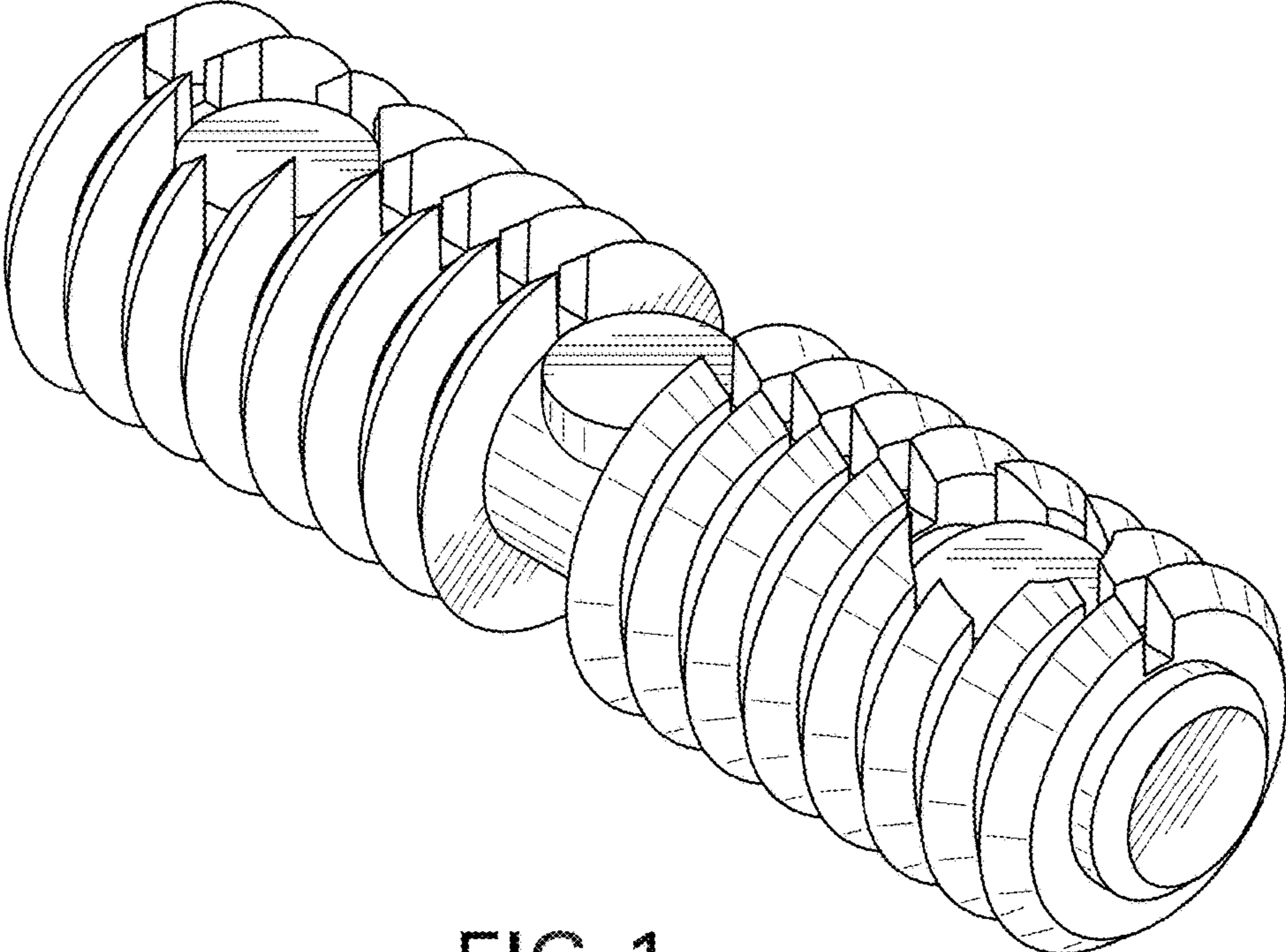


FIG. 1

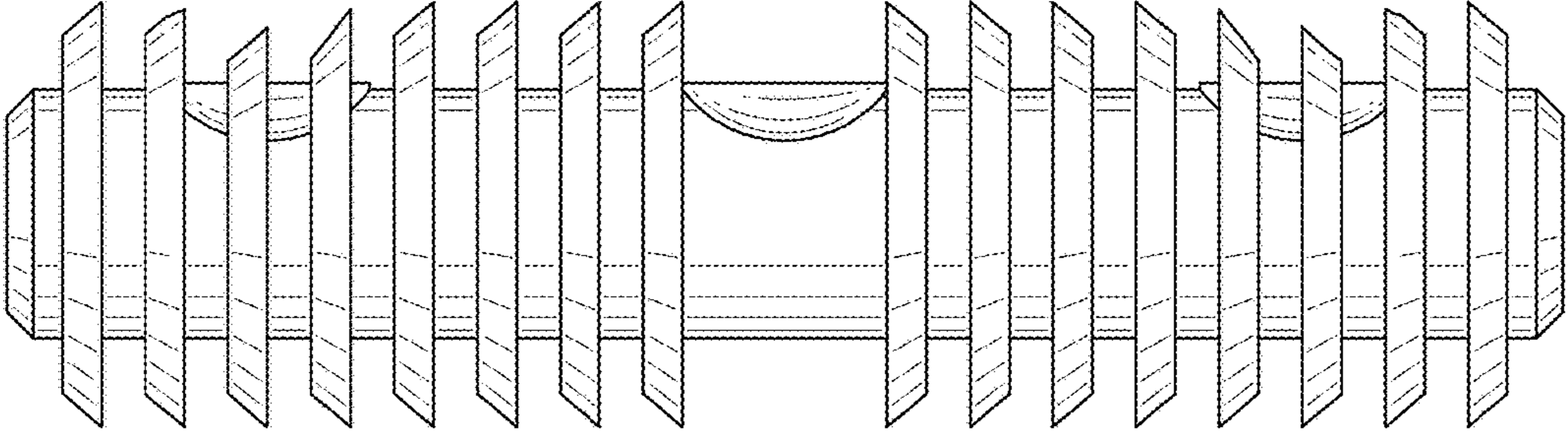


FIG. 2

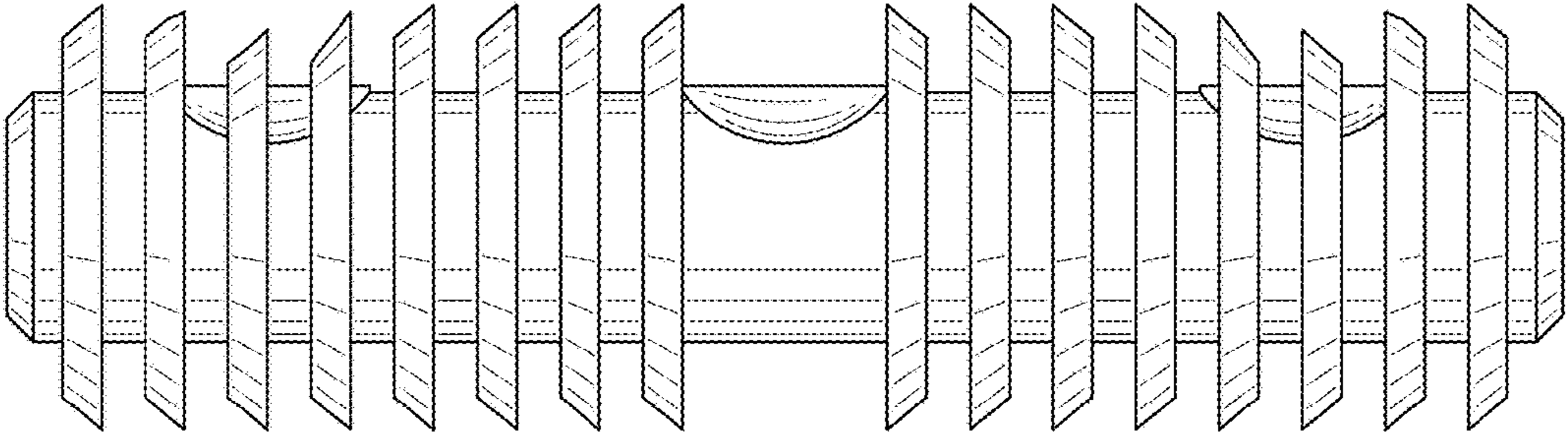


FIG. 3

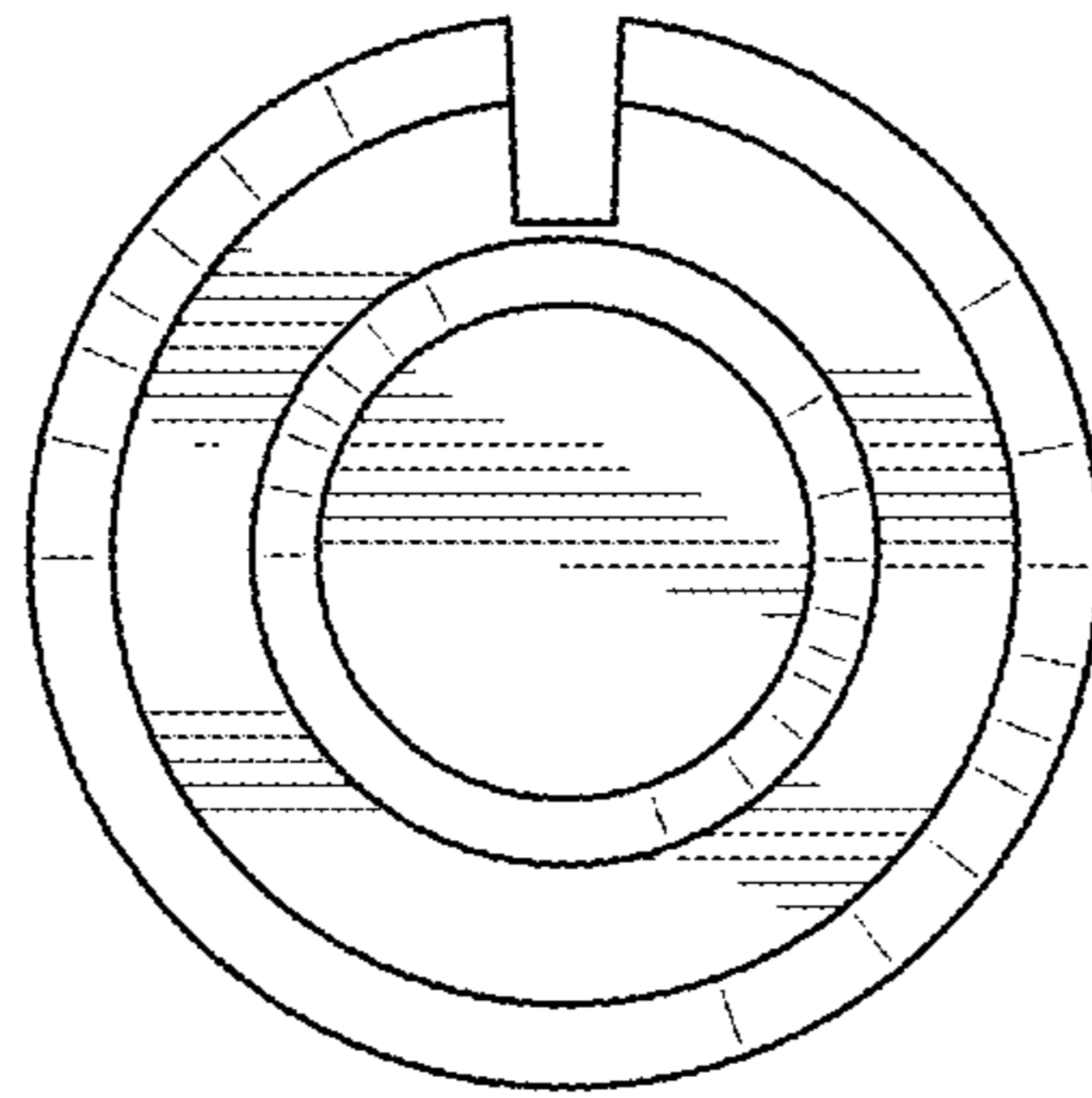


FIG. 4

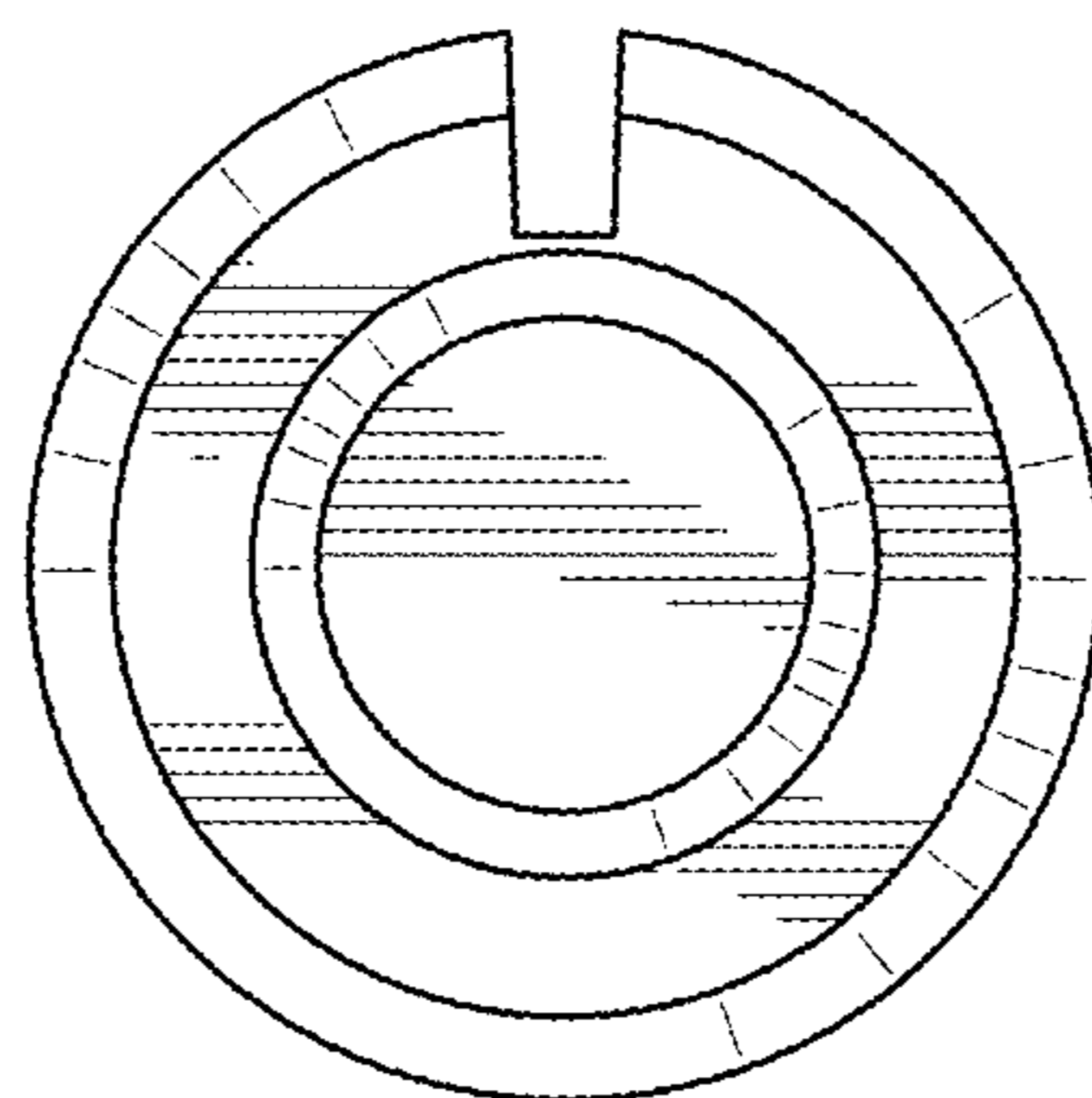


FIG. 5

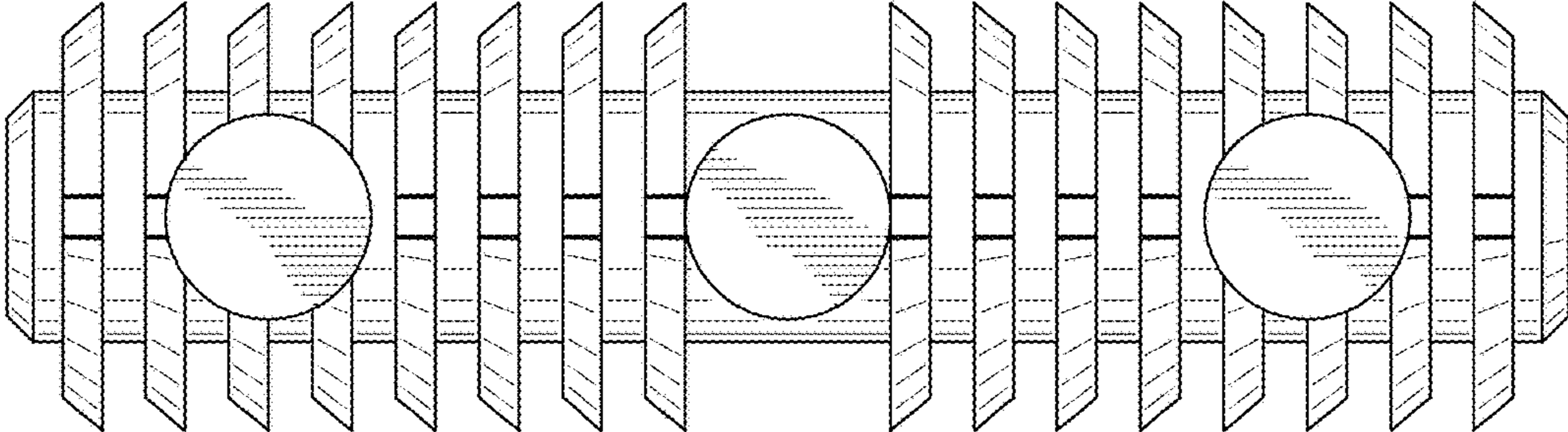


FIG. 6

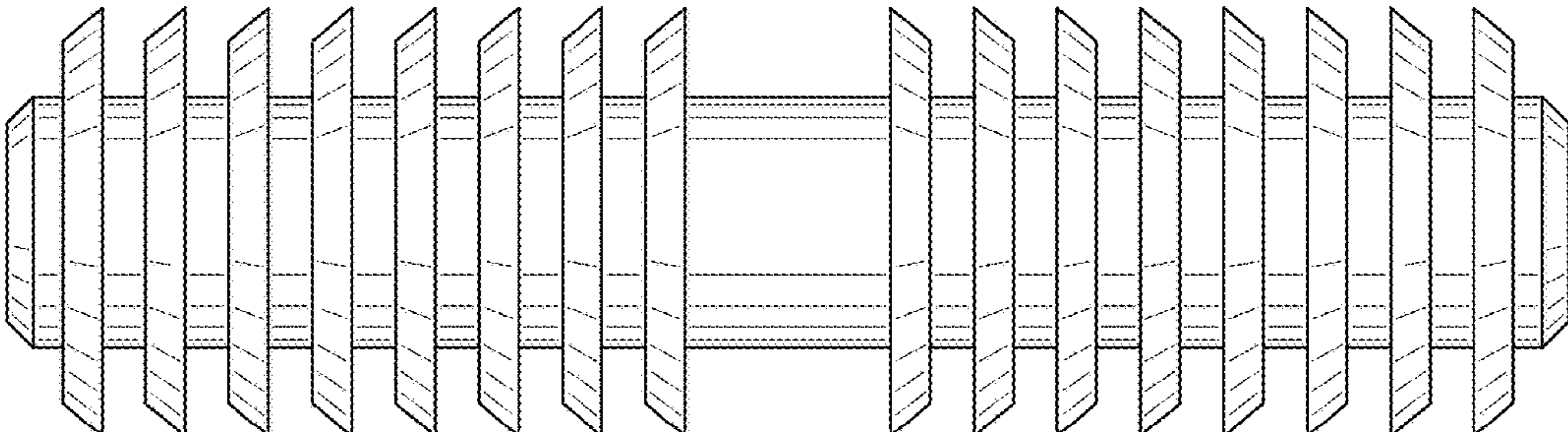


FIG. 7