



US00D820072S

(12) **United States Design Patent**
Choi

(10) **Patent No.:** **US D820,072 S**
(45) **Date of Patent:** **** Jun. 12, 2018**

(54) **FRAME FOR CHAIR**

(71) Applicant: **Jinhong Choi**, Pyeongtaek-si (KR)

(72) Inventor: **Jinhong Choi**, Pyeongtaek-si (KR)

(73) Assignee: **SNOWLINE CO., LTD.**,
Pyeongtaesk-si, Gyeonggi-Do (KR)

(**) Term: **15 Years**

(21) Appl. No.: **29/542,616**

(22) Filed: **Oct. 15, 2015**

(51) **LOC (11) Cl.** **08-08**

(52) **U.S. Cl.**
USPC **D8/382; D6/708.16**

(58) **Field of Classification Search**
USPC D8/349, 354, 355, 373, 374, 380, 382,
D8/387, 388, 394, 399, 499; D6/334,
D6/335, 702, 710, 708.16, 708
CPC A47C 4/00; A47C 4/04; A47C 4/08; A47C
4/18; A47C 4/28; A47C 4/283; A47C
4/286; A47C 4/32; A47C 4/42; A47C
1/14; A47C 4/30; A47C 9/10; A47C
9/105

See application file for complete search history.

(56) **References Cited**

U.S. PATENT DOCUMENTS

615,476 A * 12/1898 Chapman A47B 3/02
108/118

RE25,623 E * 7/1964 Bristle A01K 13/004
119/652

3,148,539 A * 9/1964 Cook G09B 25/04
403/175

3,914,063 A * 10/1975 Papayoti E04B 1/1903
403/171

D258,743 S * 3/1981 Ruga D21/484

4,605,261 A * 8/1986 Lee A47C 4/286
297/16.1

4,637,748 A * 1/1987 Beavers E04B 1/1903
135/147

D327,211 S * 6/1992 Tarshis D14/229

D364,554 S * 11/1995 Seo D8/382

7,568,253 B2 * 8/2009 de la Chevrotiere E01D 6/00
14/14

7,641,276 B1 * 1/2010 Chen A47C 4/286
297/35

8,528,291 B2 * 9/2013 Allred, III E04C 3/08
135/909

8,899,686 B1 * 12/2014 Kim A47C 4/02
297/16.1

D720,954 S * 1/2015 Lah D6/708.16

D745,372 S * 12/2015 Peterson D6/716

9,351,578 B2 * 5/2016 Homans A47C 4/30

D771,986 S * 11/2016 Lee D6/708.16

D773,221 S * 12/2016 Lee D6/708.16

D774,813 S * 12/2016 Lah D6/708.16

D775,885 S * 1/2017 Lah D6/708.16

(Continued)

Primary Examiner — Sandra S Snapp
Assistant Examiner — Ieisha N Price
(74) *Attorney, Agent, or Firm* — Lucas & Mercanti, LLP

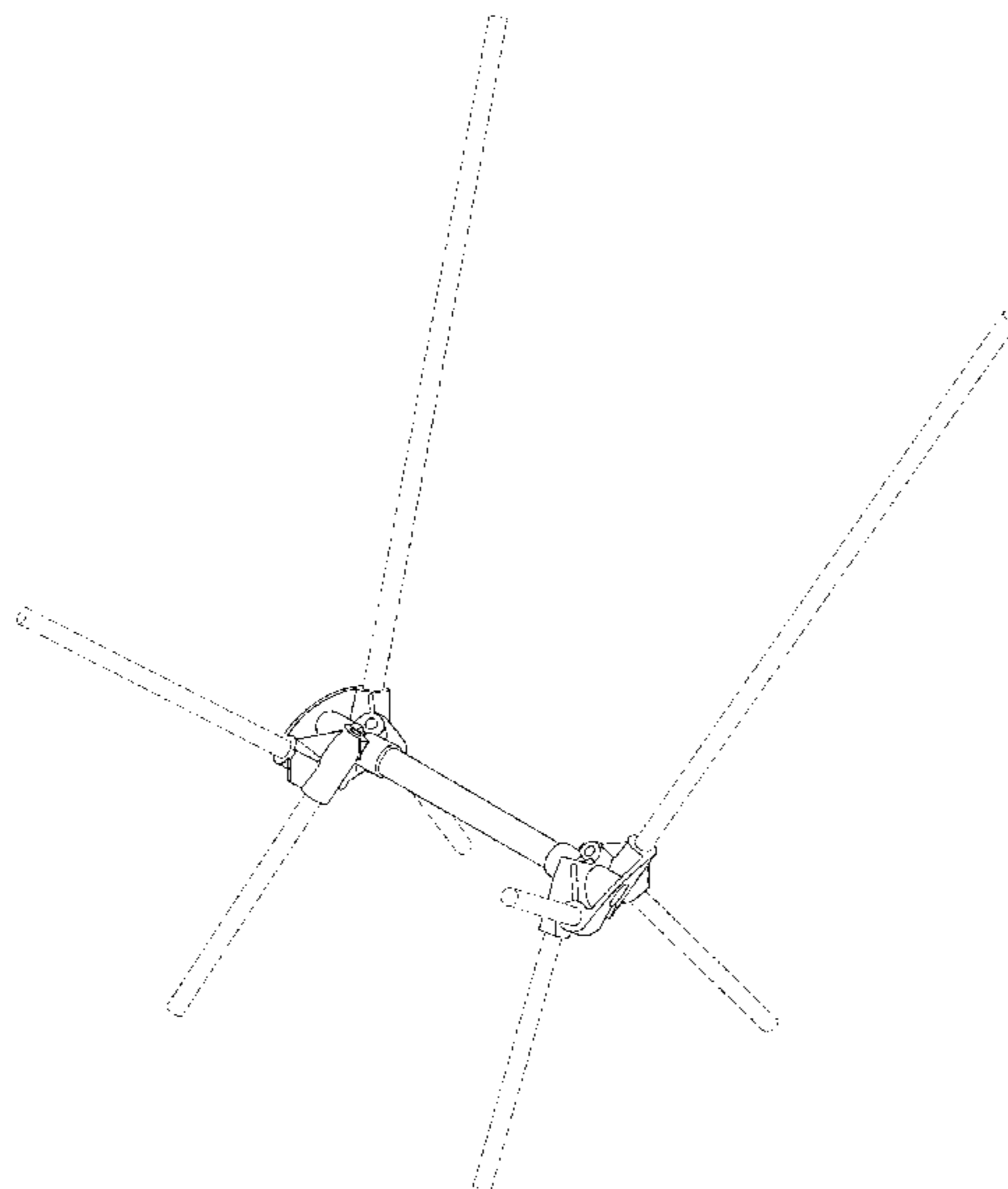
(57) **CLAIM**

I claim the ornamental design for a frame for chair, as shown and described.

DESCRIPTION

FIG. 1 is a front perspective view of a frame for chair showing my new design;
FIG. 2 is a front view thereof;
FIG. 3 is a rear view thereof;
FIG. 4 is a left-side view thereof;
FIG. 5 is a right-side view thereof;
FIG. 6 is a top view thereof; and,
FIG. 7 is a bottom view thereof.
The broken lines illustrating portions of the frame for chair are for environmental purposes only and form no part of the claimed design.

1 Claim, 7 Drawing Sheets



(56)

References Cited

U.S. PATENT DOCUMENTS

2004/0046428 A1* 3/2004 Hwang A47C 7/70
297/188.2
2012/0104805 A1* 5/2012 Lah A47C 9/105
297/16.1
2012/0326470 A1* 12/2012 Homans A47C 4/02
297/16.1
2016/0113402 A1* 4/2016 Lee A47C 4/42
297/16.2
2017/0311723 A1* 11/2017 Lenhart A47C 4/28

* cited by examiner

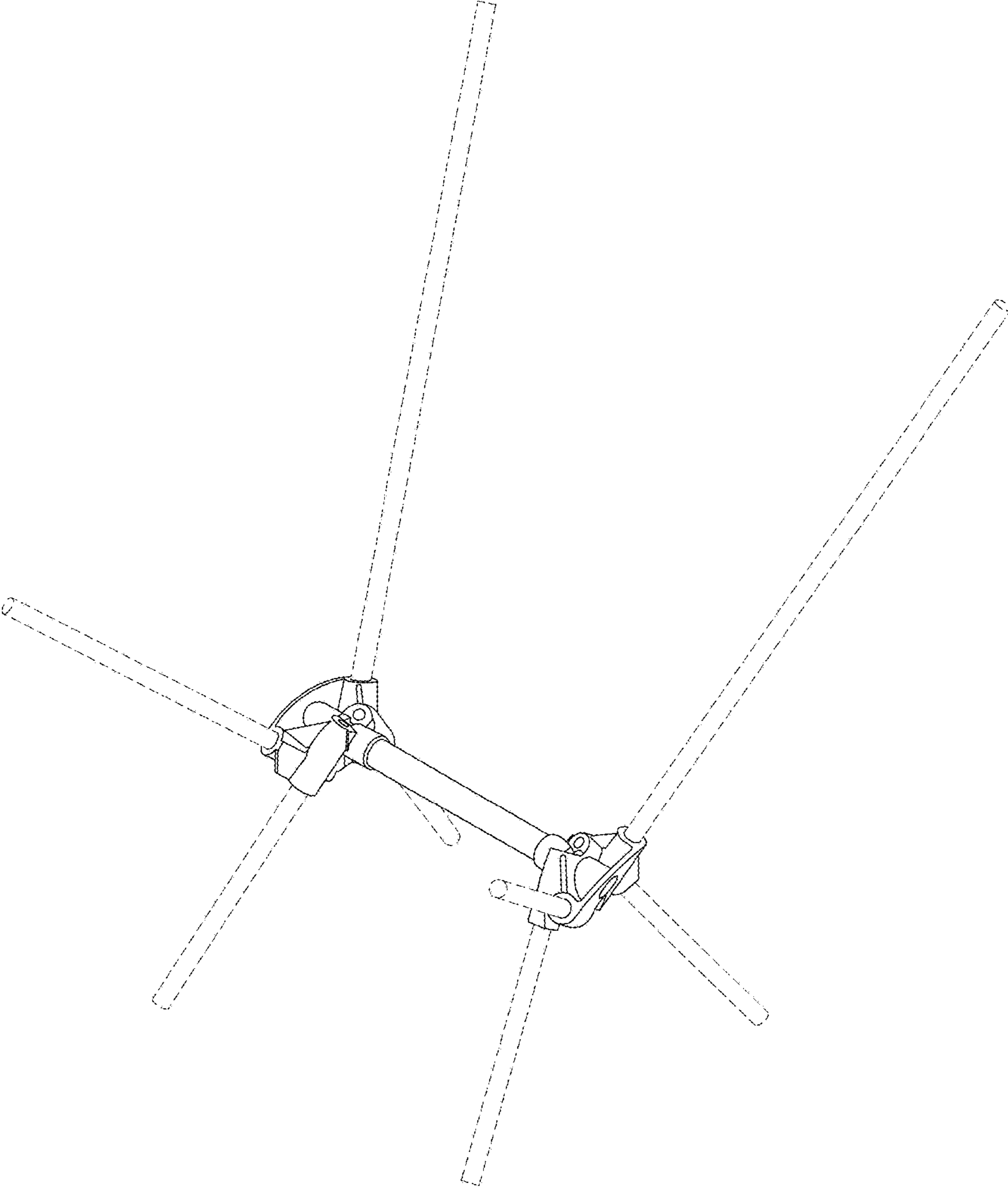


FIG. 1

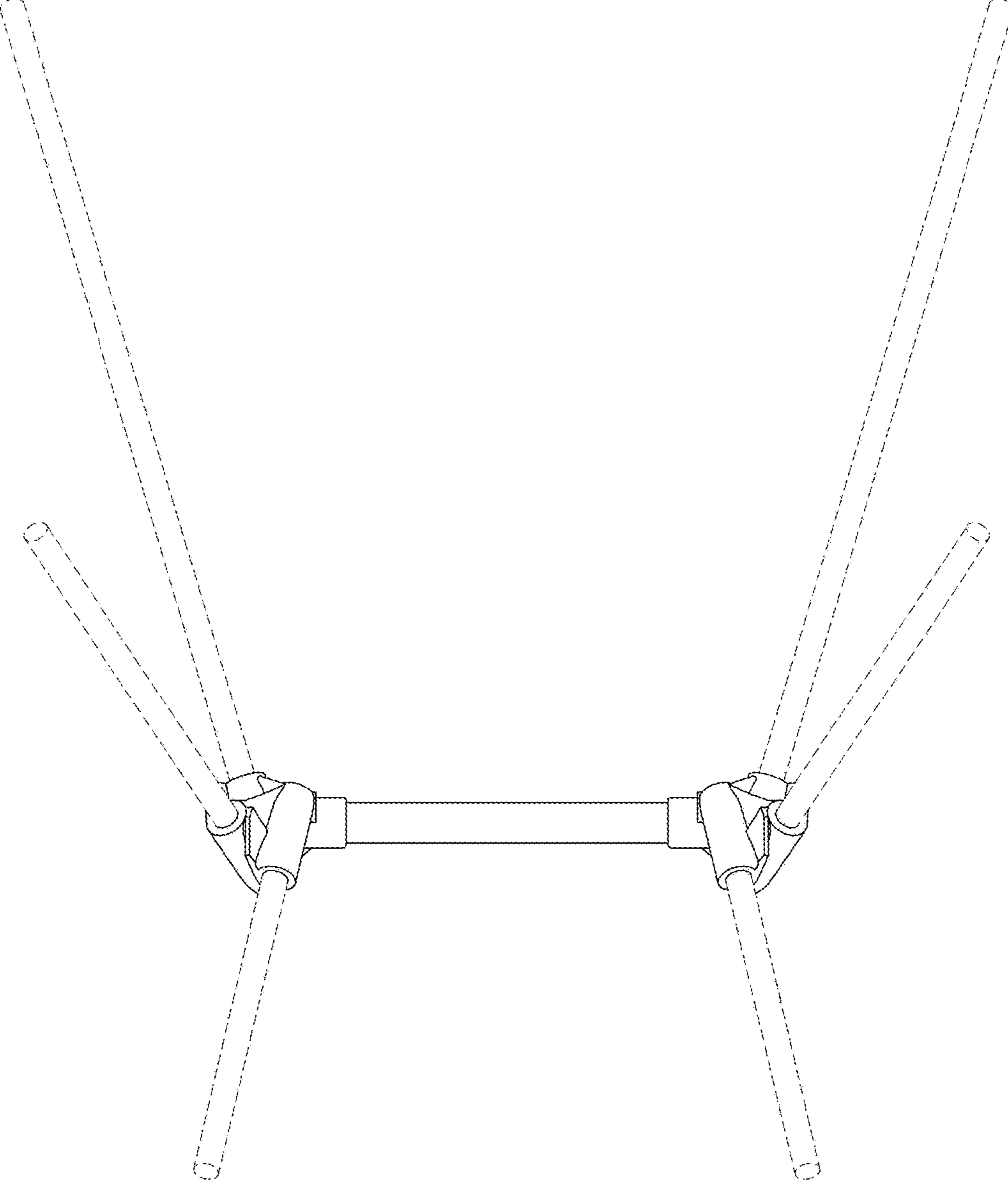


FIG. 2

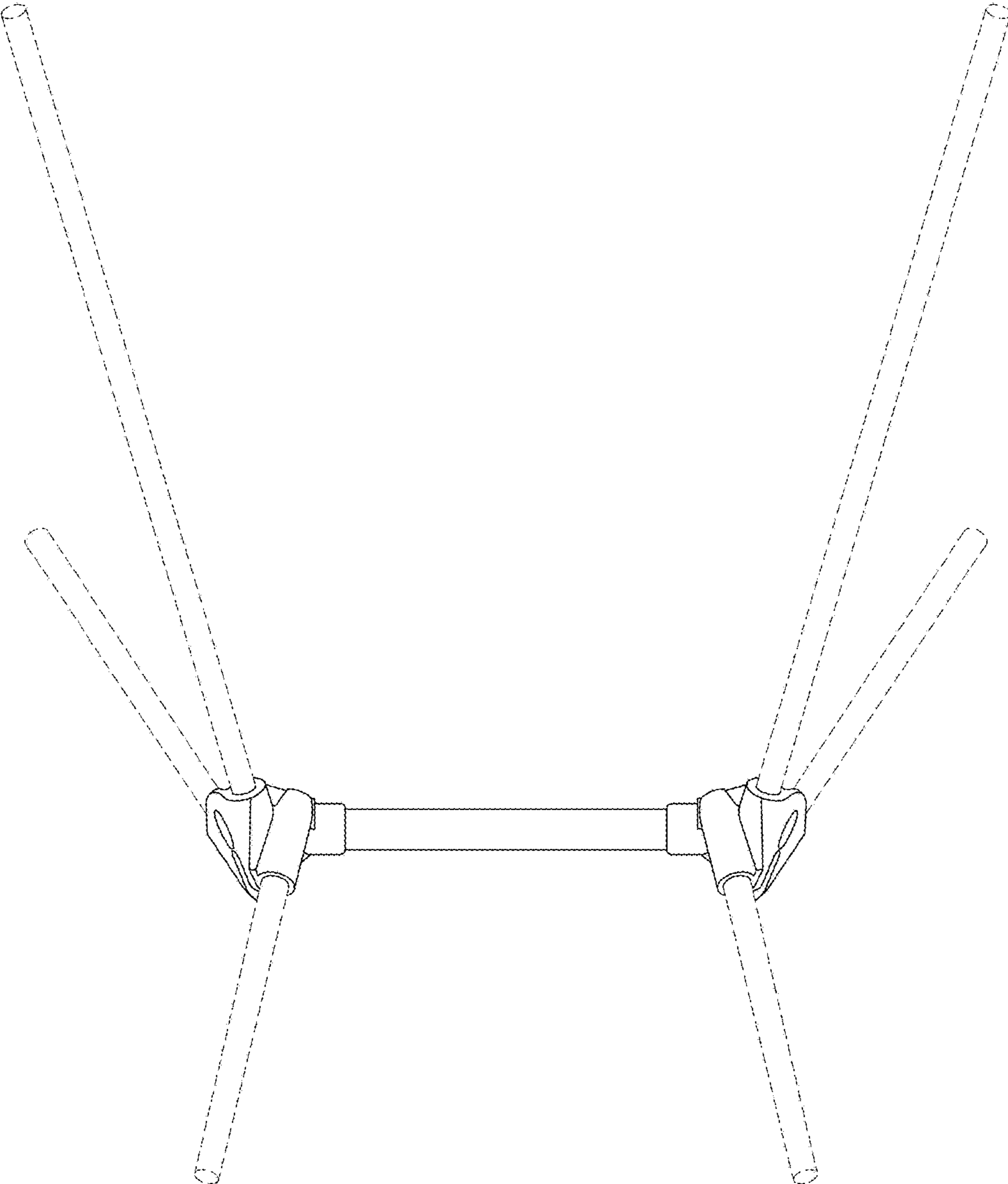


FIG. 3

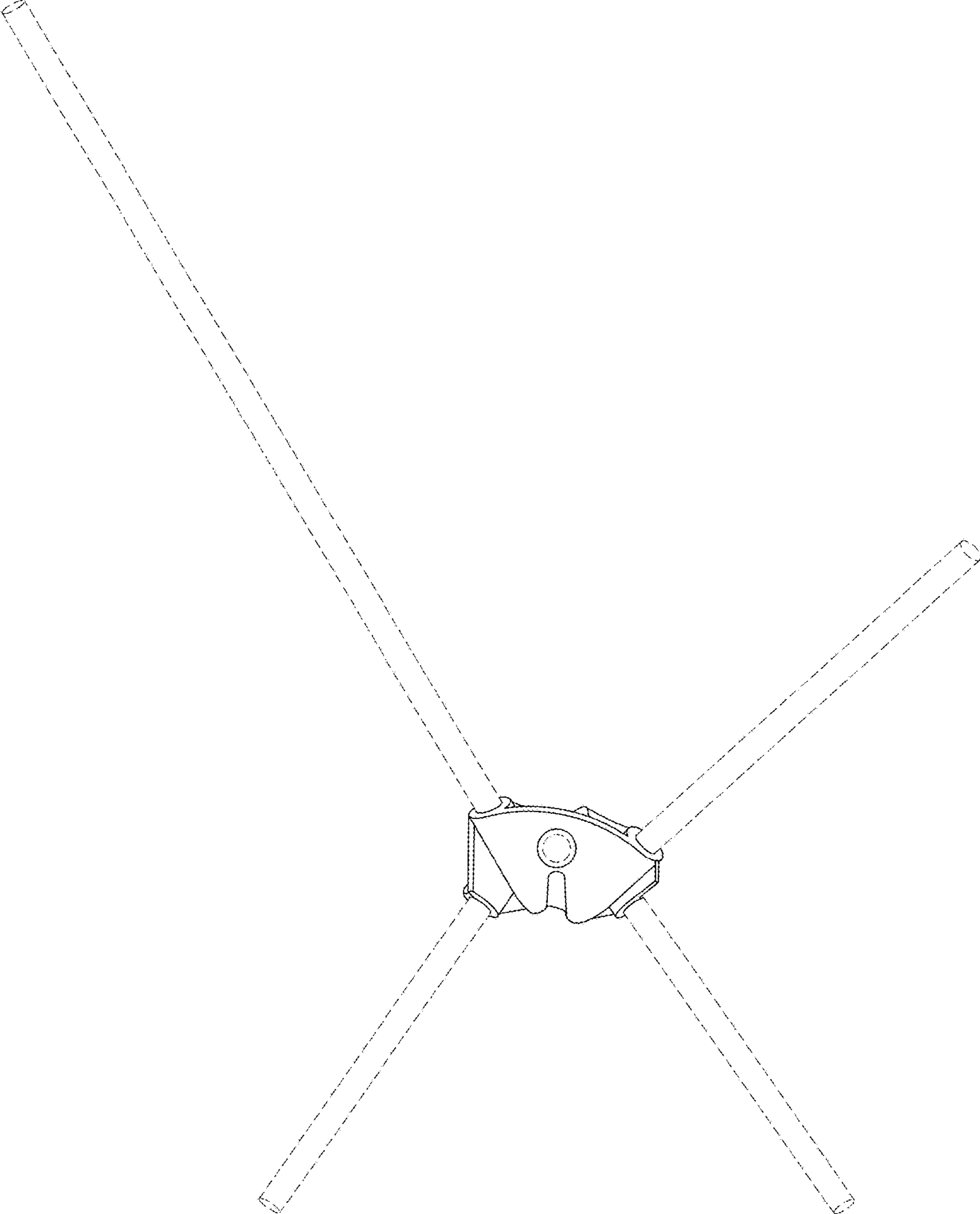


FIG. 4

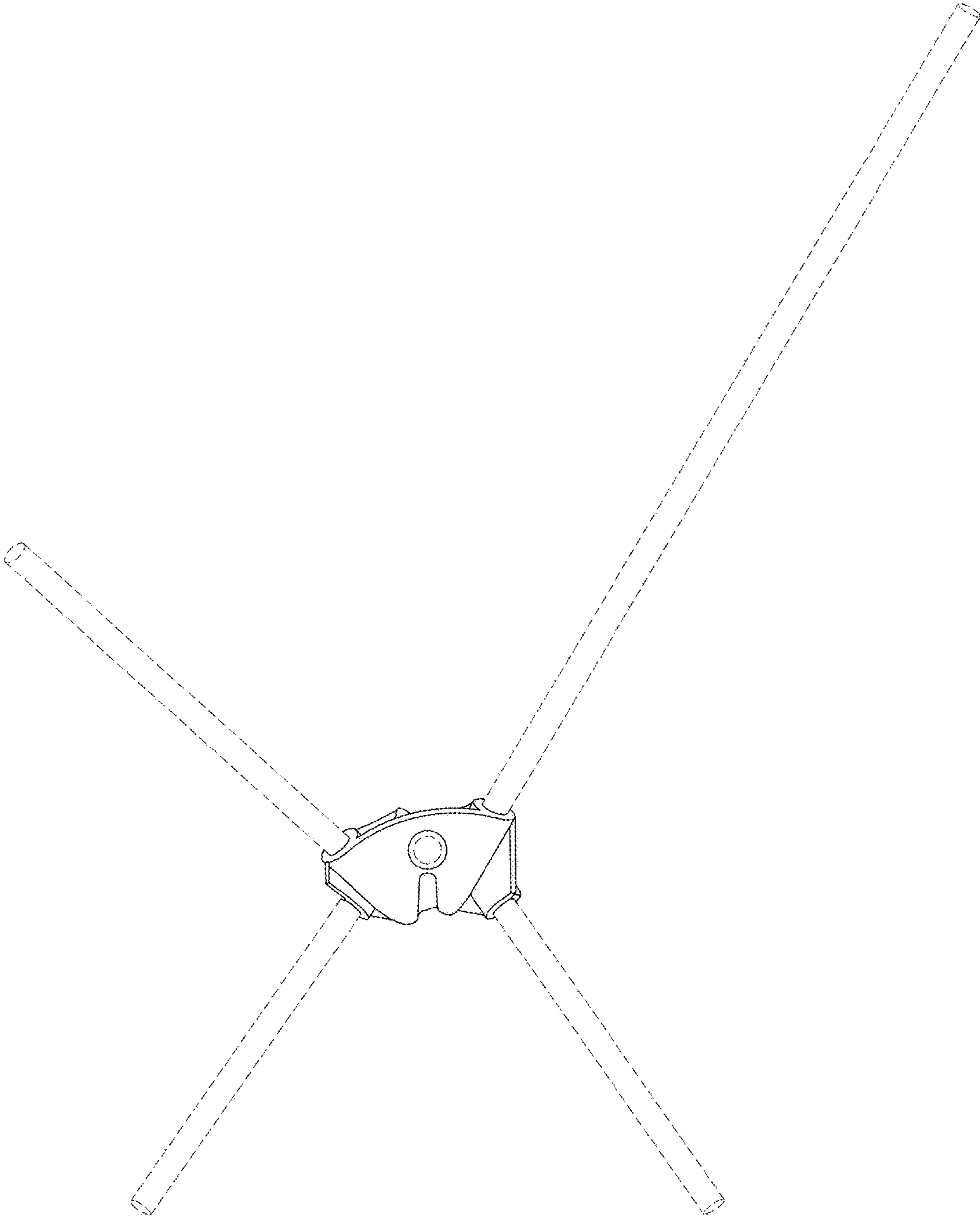


FIG. 5

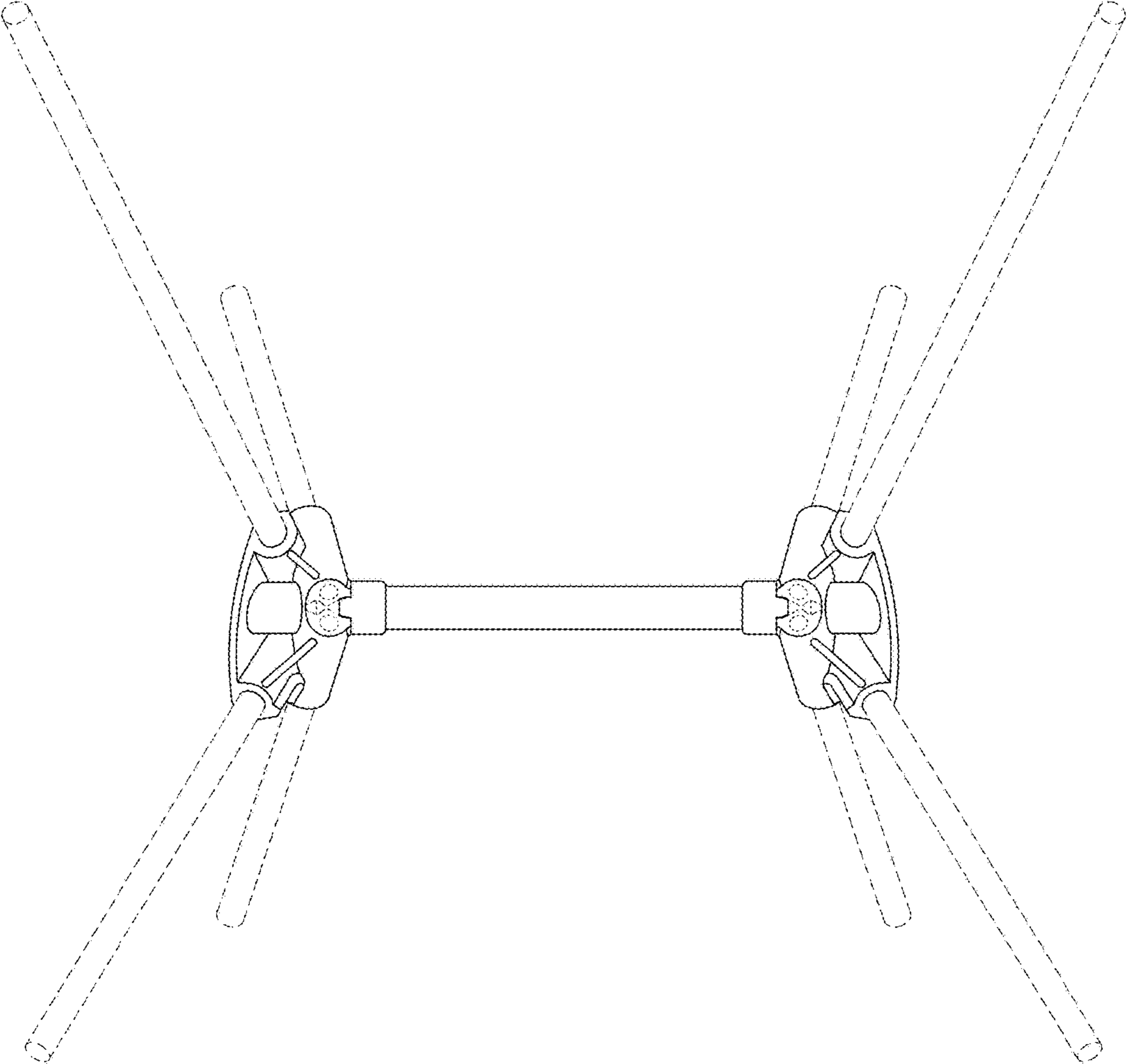


FIG. 6

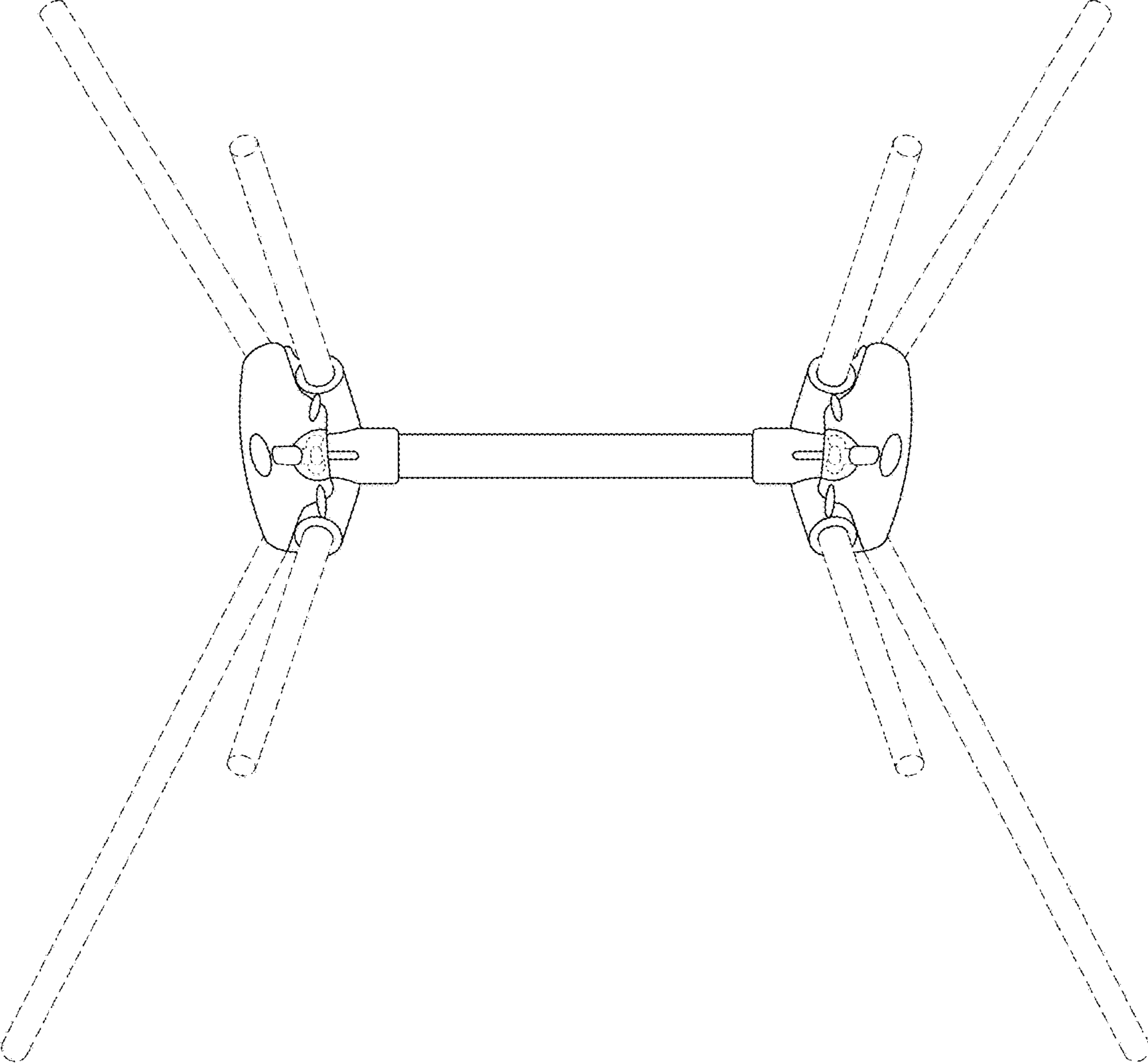


FIG. 7