



US00D820071S

(12) **United States Design Patent**
Rassat

(10) **Patent No.:** **US D820,071 S**
(45) **Date of Patent:** **** Jun. 12, 2018**

- (54) **BULB FURNITURE LEG LEVELER**
- (71) Applicant: **ATTITUDE LLC**, Minneapolis, MN
(US)
- (72) Inventor: **David F. Rassat**, Minneapolis, MN
(US)
- (**) Term: **15 Years**
- (21) Appl. No.: **35/001,141**
- (22) Filed: **Jan. 13, 2016**
- (80) **Hague Agreement Data**
Int. Filing Date: **Jan. 13, 2016**
Int. Reg. No.: **DM/089707**
Int. Reg. Date: **Jan. 13, 2016**
Int. Reg. Pub. Date: **Jul. 15, 2016**
- (51) **LOC (11) Cl.** **08-05**
- (52) **U.S. Cl.**
USPC **D8/374**
- (58) **Field of Classification Search**
USPC D8/16, 17, 18, 19, 20, 363, 366, 370,
D8/380, 381, 356; D6/542, 543;
D15/143, 199; D20/42; D34/39
CPC F16C 19/364; F16C 27/04; F16C 19/30;
F16C 19/305; A47H 15/04; A47H 15/00;
A47G 23/0225; A47G 29/083; A47B
91/06; A47B 91/066; A47C 7/002
See application file for complete search history.

- (56) **References Cited**
U.S. PATENT DOCUMENTS
D30,425 S * 3/1899 Watt 16/108
972,287 A 10/1910 Swift
1,348,441 A 8/1920 Perry
2,644,978 A 7/1953 Becker
4,034,436 A * 7/1977 Ginder B60B 33/0052
16/18 A

4,327,460 A *	5/1982	Wolff	B60B 33/0052	16/18 A
D298,215 S *	10/1988	Davis	D8/373	
5,249,767 A	10/1993	Mellen			
D463,732 S *	10/2002	MacDonald	D8/374	
D487,392 S	3/2004	Chase			
D498,412 S *	11/2004	Pehta	D8/374	
D517,401 S *	3/2006	Carnevali	D8/374	
D527,617 S *	9/2006	Powell	D8/374	
D548,576 S *	8/2007	Bushey	D8/374	
7,404,232 B2	7/2008	Chase			
D596,306 S *	7/2009	Levine	D24/214	
D596,481 S *	7/2009	Yamamoto	D8/374	
D616,289 S *	5/2010	Frankel	D8/374	
8,360,375 B2	1/2013	Jones			
D682,078 S *	5/2013	Chase	D8/374	
D712,726 S *	9/2014	Perrin	D8/374	
2002/0109054 A1 *	8/2002	Burr	F16M 7/00	248/188.4
					16/42 R
2003/0163894 A1 *	9/2003	Jones	A47B 91/066	

(Continued)

Primary Examiner — Darlington Ly
(74) *Attorney, Agent, or Firm* — Leydig, Voit & Mayer, Ltd.

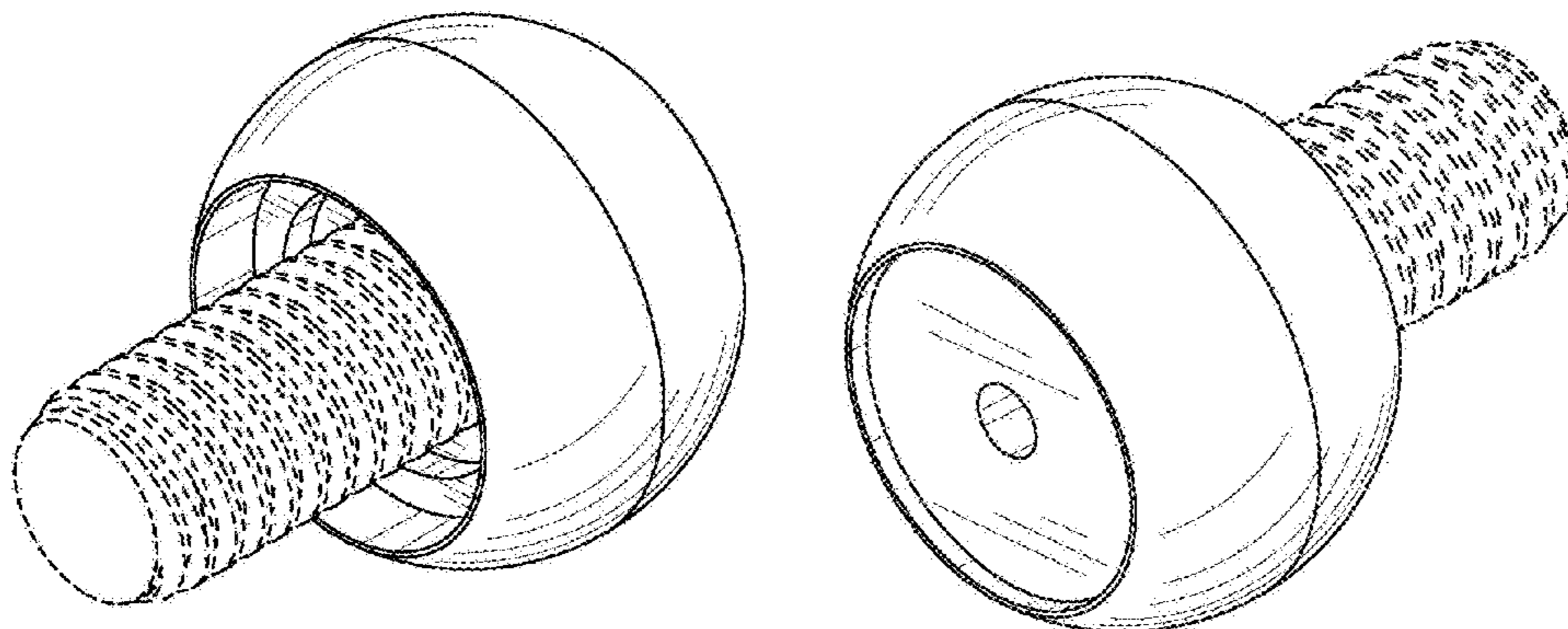
(57) **CLAIM**

The ornamental design for a bulb furniture leg leveler, as shown and described.

DESCRIPTION

1. Bulb furniture leg leveler
1.1 is a top perspective view of a bulb furniture leg leveler showing my new design;
1.2 is a bottom perspective view thereof;
1.3 is a side elevation view thereof, of which the opposing side and adjacent sides are identical in elevation;
1.4 is a bottom plan view thereof; and
1.5 is a top plan view thereof.
The broken lines in the reproductions illustrate portions of the bulb furniture leg leveler and form no part of the claimed design.

1 Claim, 5 Drawing Sheets



(56)

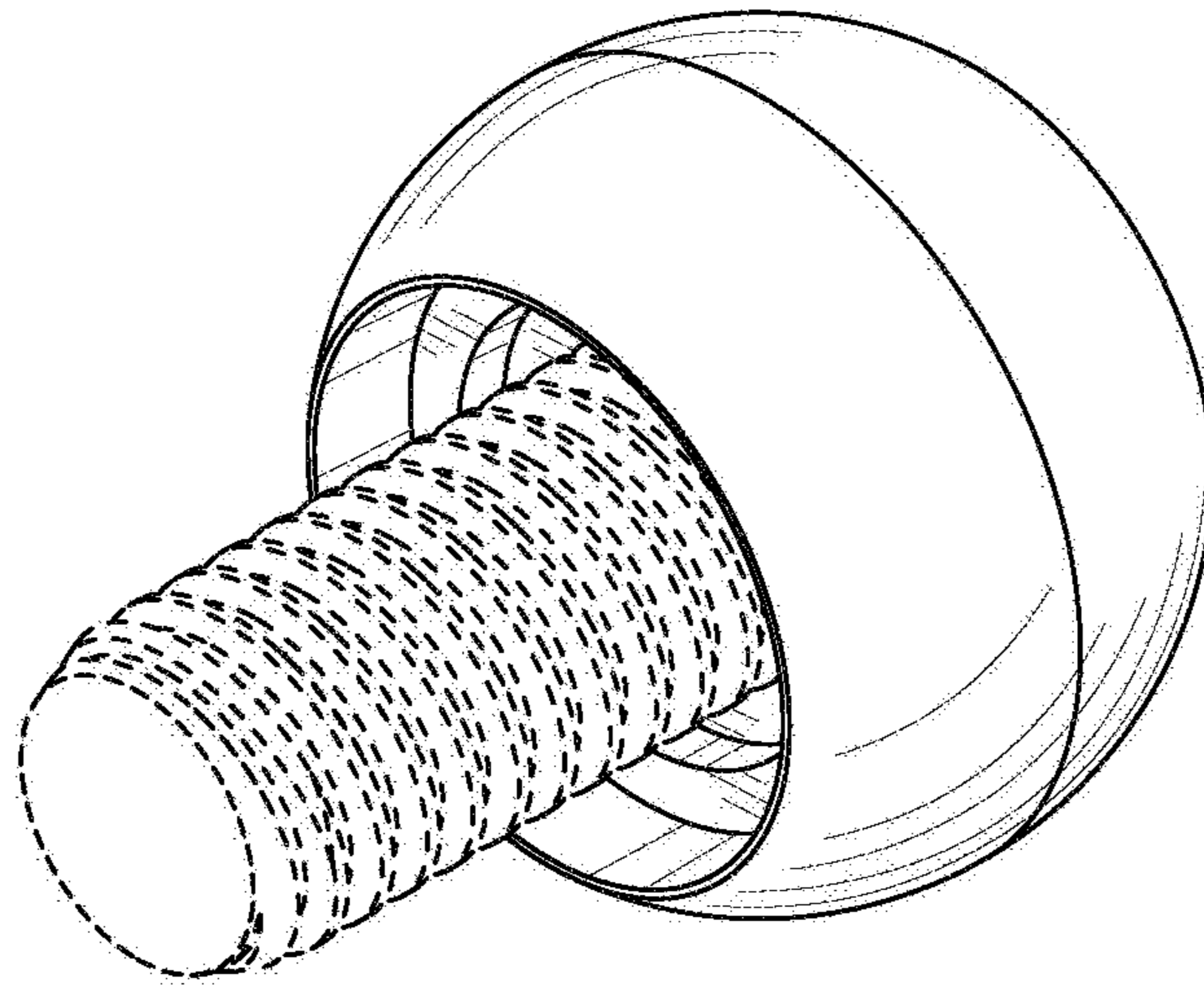
References Cited

U.S. PATENT DOCUMENTS

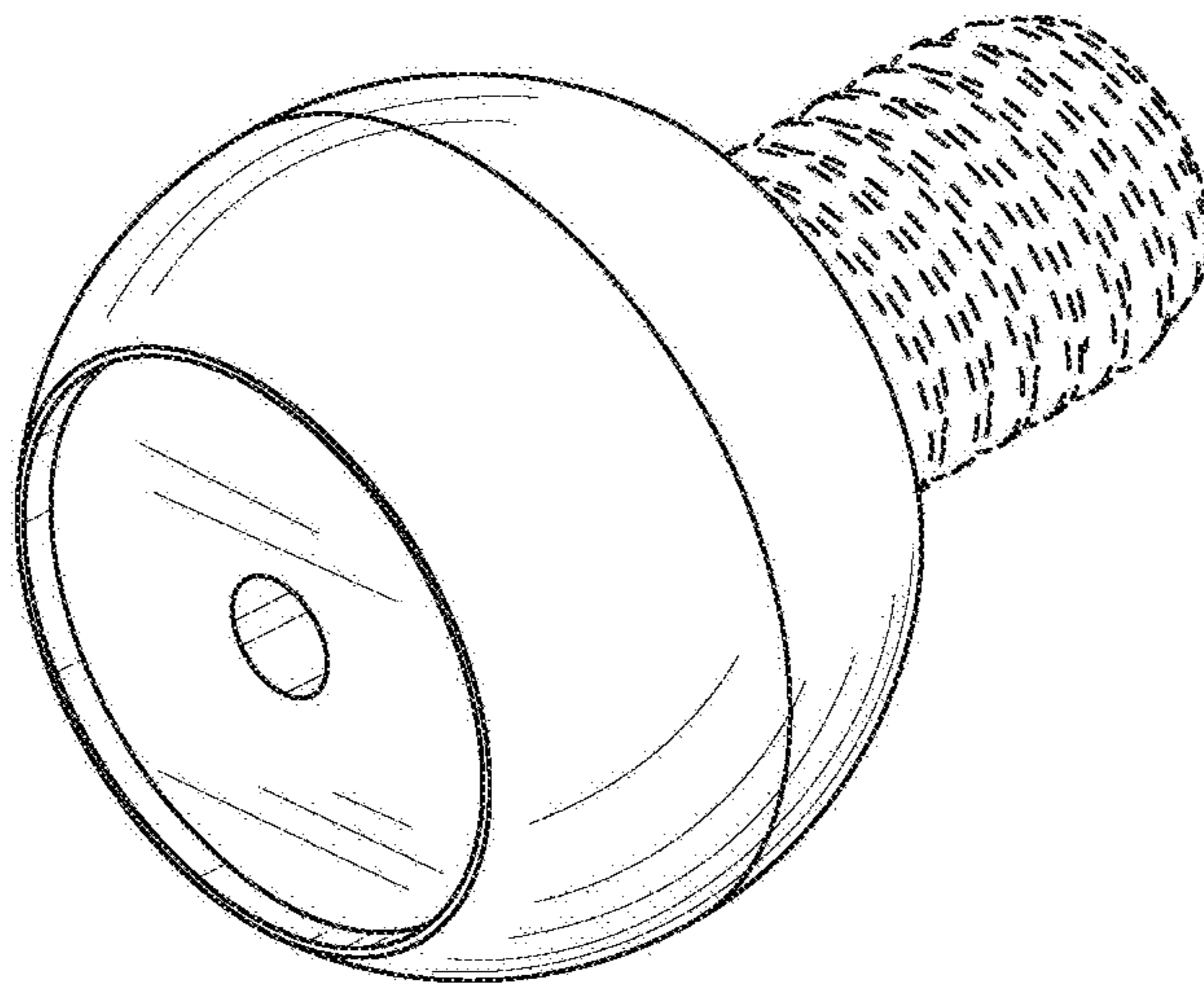
2006/0053586 A1* 3/2006 Chase A47B 91/06
16/42 R

* cited by examiner

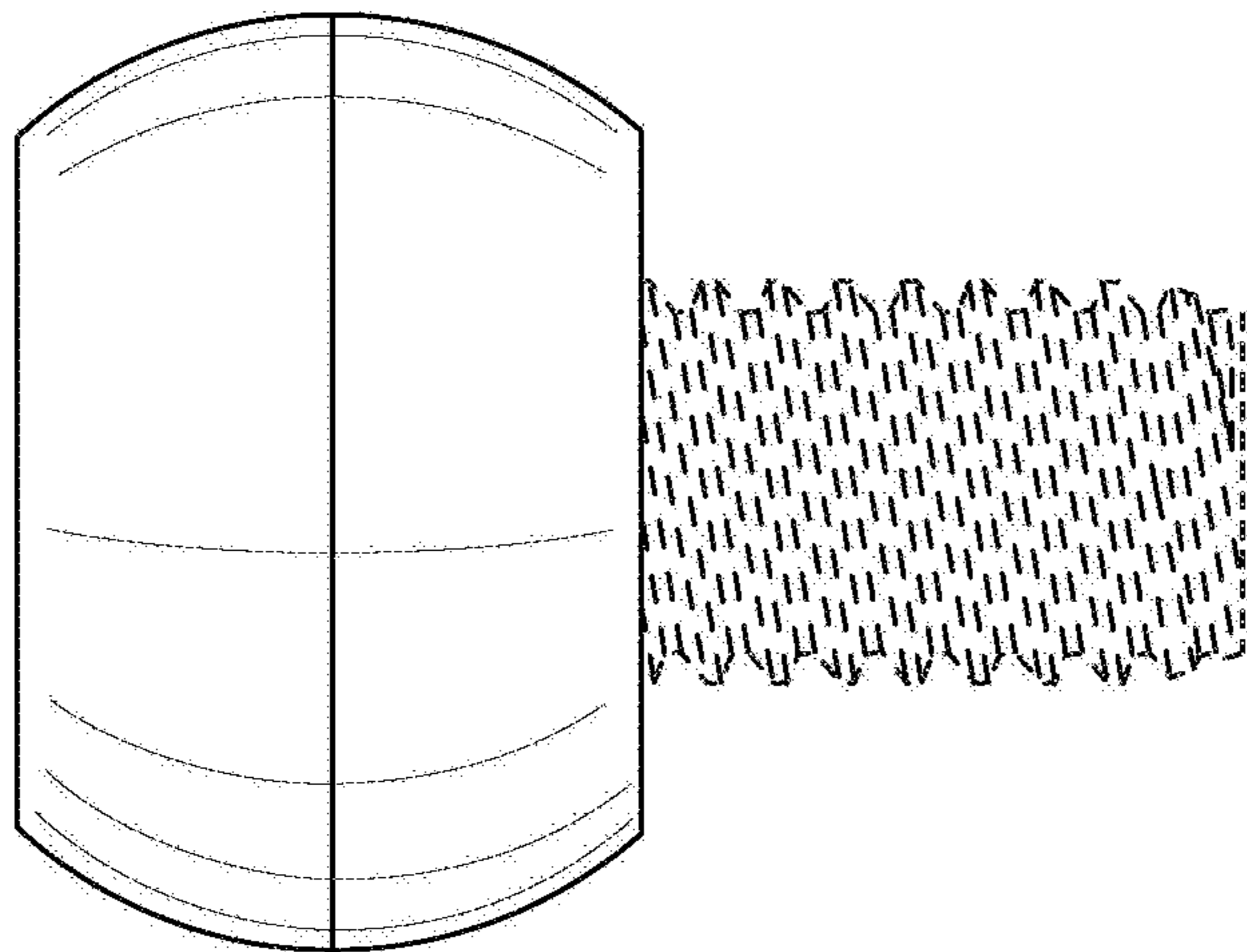
1.1



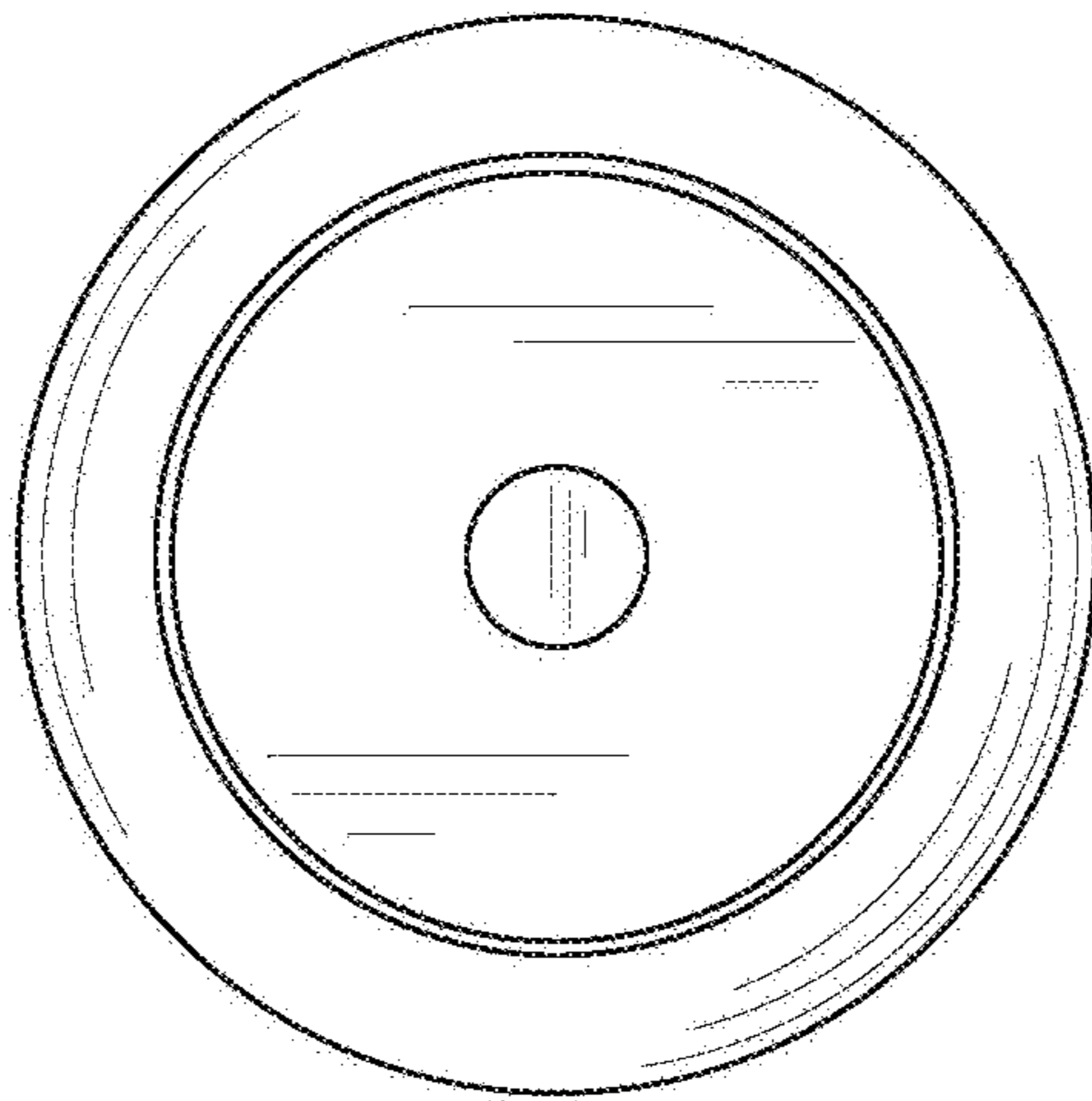
1.2



1.3



1.4



1.5

