



US00D820070S

(12) **United States Design Patent**  
**Cutler**

(10) **Patent No.:** **US D820,070 S**

(45) **Date of Patent:** **\*\* \*Jun. 12, 2018**

(54) **PORTABLE SUPPORT DEVICE**

(76) Inventor: **Jeffrey Cutler**, Queen Creek, AZ (US)

(\*) Notice: This patent is subject to a terminal disclaimer.

(\*\*) Term: **14 Years**

(21) Appl. No.: **29/409,221**

(22) Filed: **Dec. 21, 2011**

(51) **LOC (11) Cl.** ..... **08-05**

(52) **U.S. Cl.**  
USPC ..... **D8/374**

(58) **Field of Classification Search**  
USPC ..... D3/5-17; D12/128, 130, 131, 133;  
D6/495; 135/16, 17, 65, 66, 68, 71-73,  
135/76, 77, 82; 248/519, 523, 539;  
D8/374; D14/253

See application file for complete search history.

(56) **References Cited**

**U.S. PATENT DOCUMENTS**

D245,742 S \* 9/1977 Sullivan ..... D8/374  
4,125,243 A \* 11/1978 Liptak ..... A47F 7/142  
248/205.3

4,830,320 A \* 5/1989 Bellows ..... A47B 91/12  
248/188.2  
D393,633 S \* 4/1998 Jacobson ..... D14/451  
D419,602 S \* 1/2000 Mori ..... D19/65  
D477,672 S \* 7/2003 Opeka ..... D25/68  
D490,437 S \* 5/2004 Miao ..... D14/447

\* cited by examiner

*Primary Examiner* — Randall H Gholson

(74) *Attorney, Agent, or Firm* — Mark V. Loen

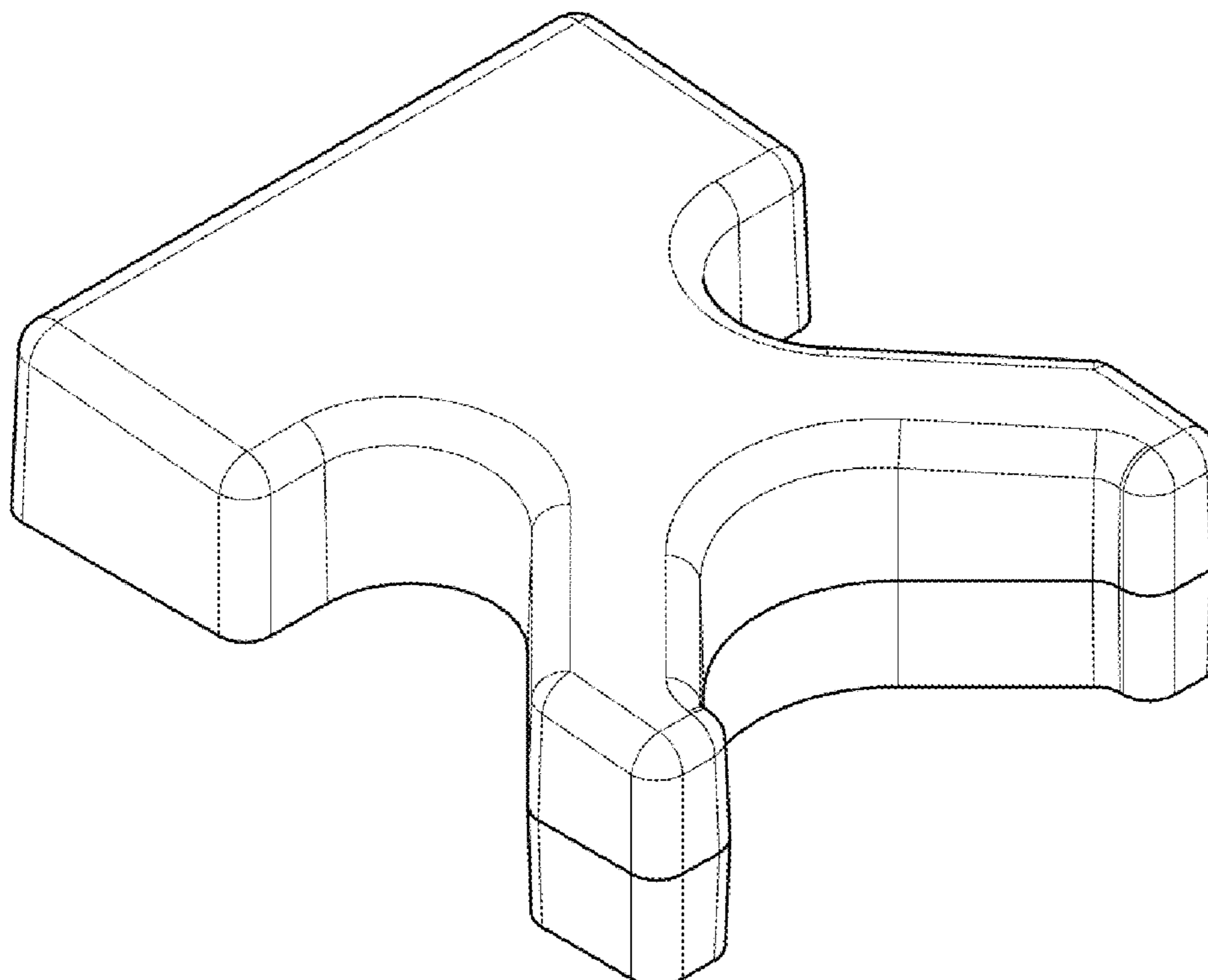
(57) **CLAIM**

The ornamental design for a portable support device, as shown and described.

**DESCRIPTION**

FIG. 1 is a top perspective view of a portable support device showing my new design;  
FIG. 2 is a top plan view thereof;  
FIG. 3 is a left side elevation view thereof, the right side elevation view being a mirror image of the left side elevation view;  
FIG. 4 is a front elevation view thereof;  
FIG. 5 is a bottom perspective view thereof; and,  
FIG. 6 is a bottom plan view thereof.

**1 Claim, 1 Drawing Sheet**



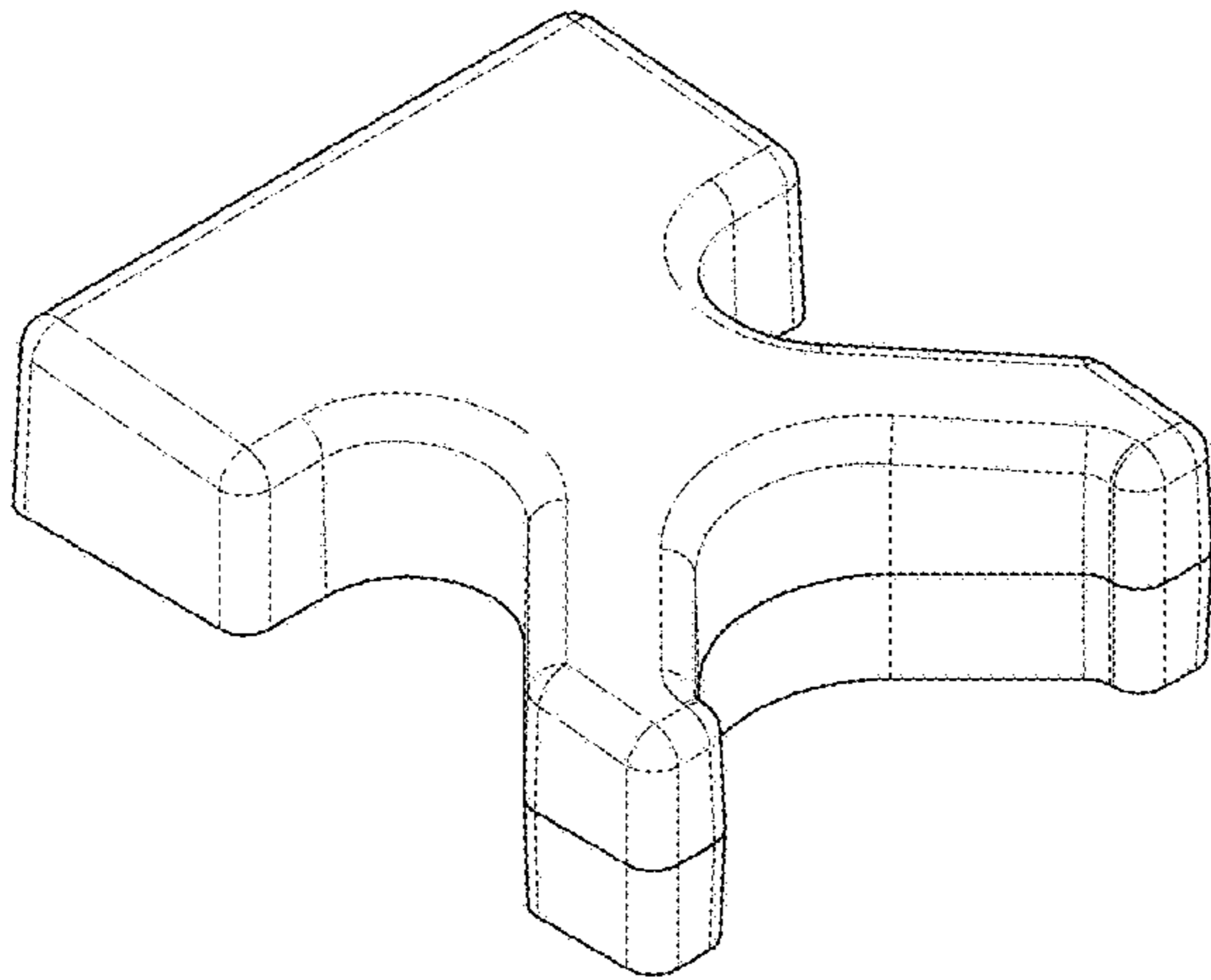


Fig. 1

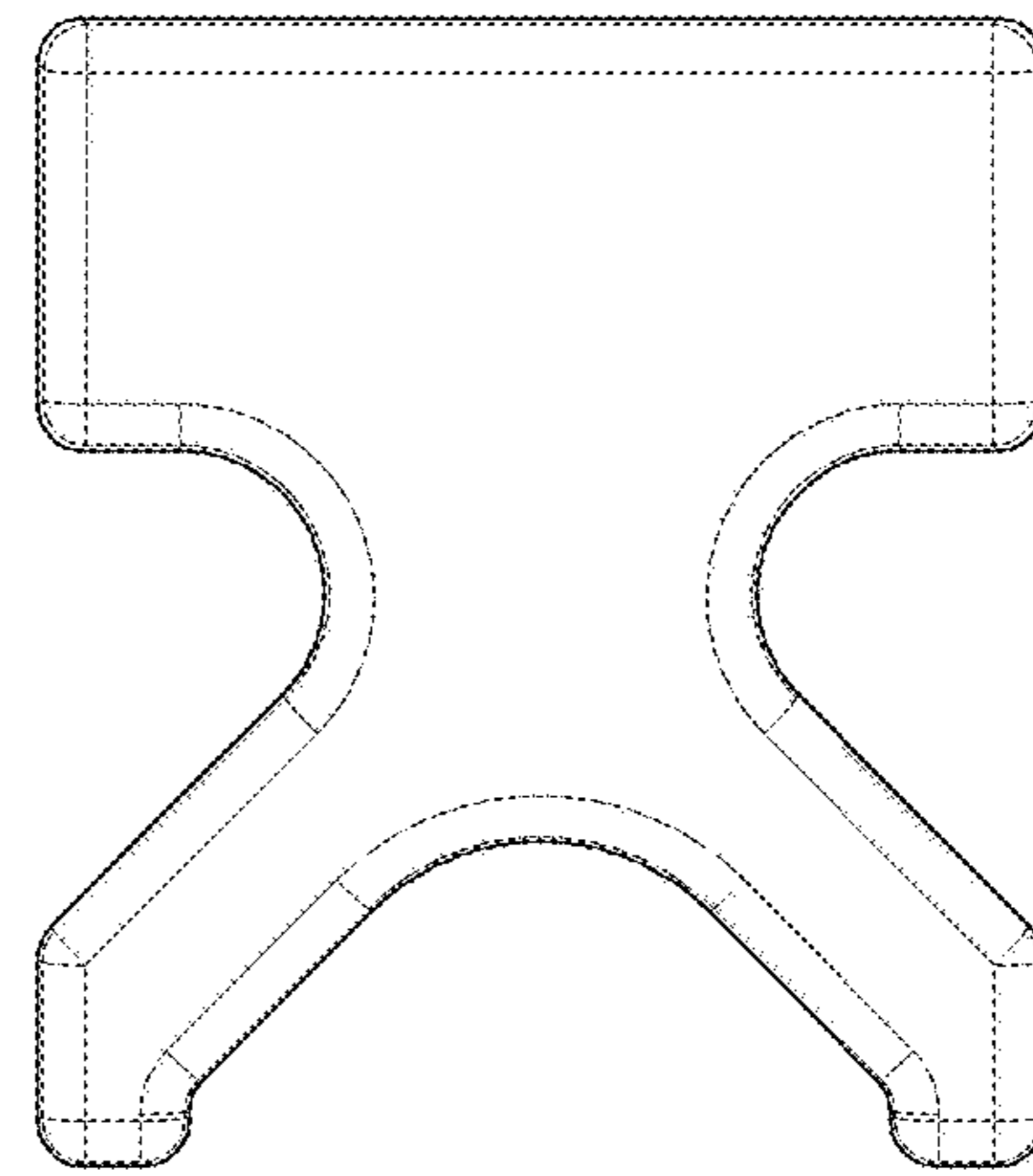


Fig. 2

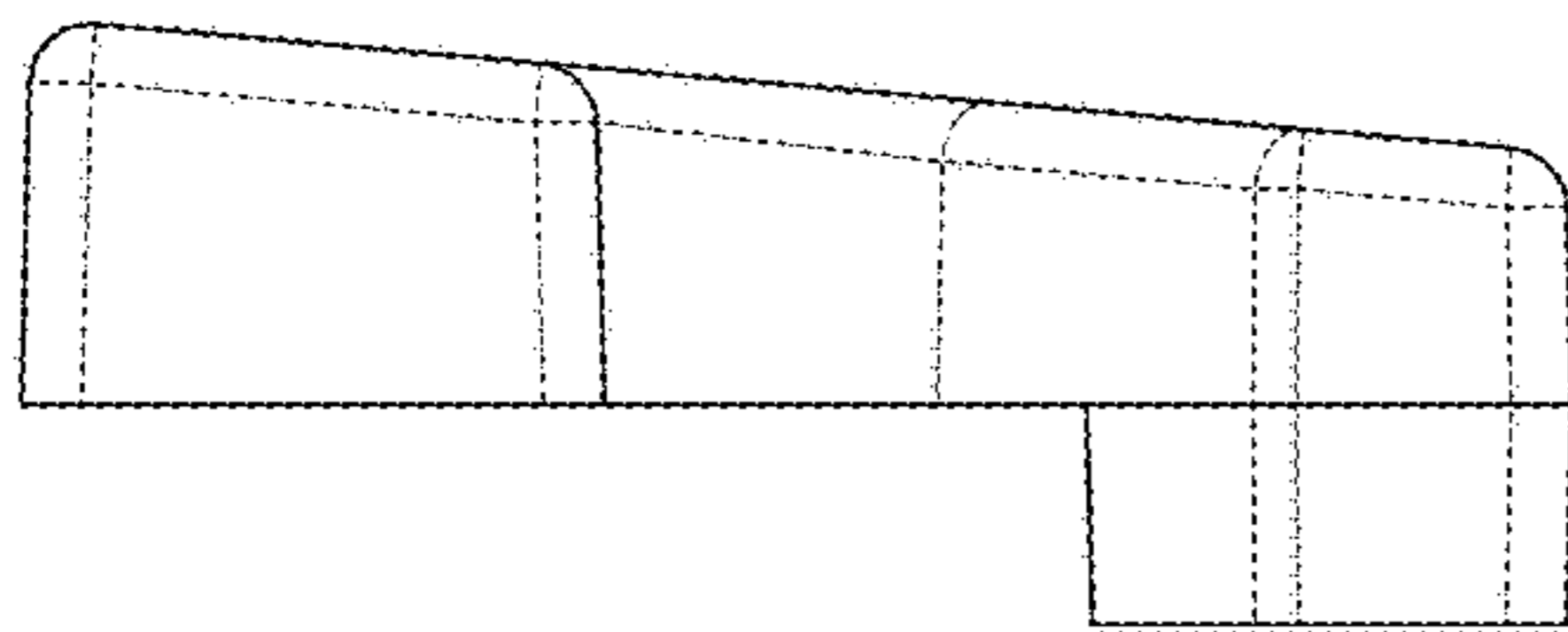


Fig. 3

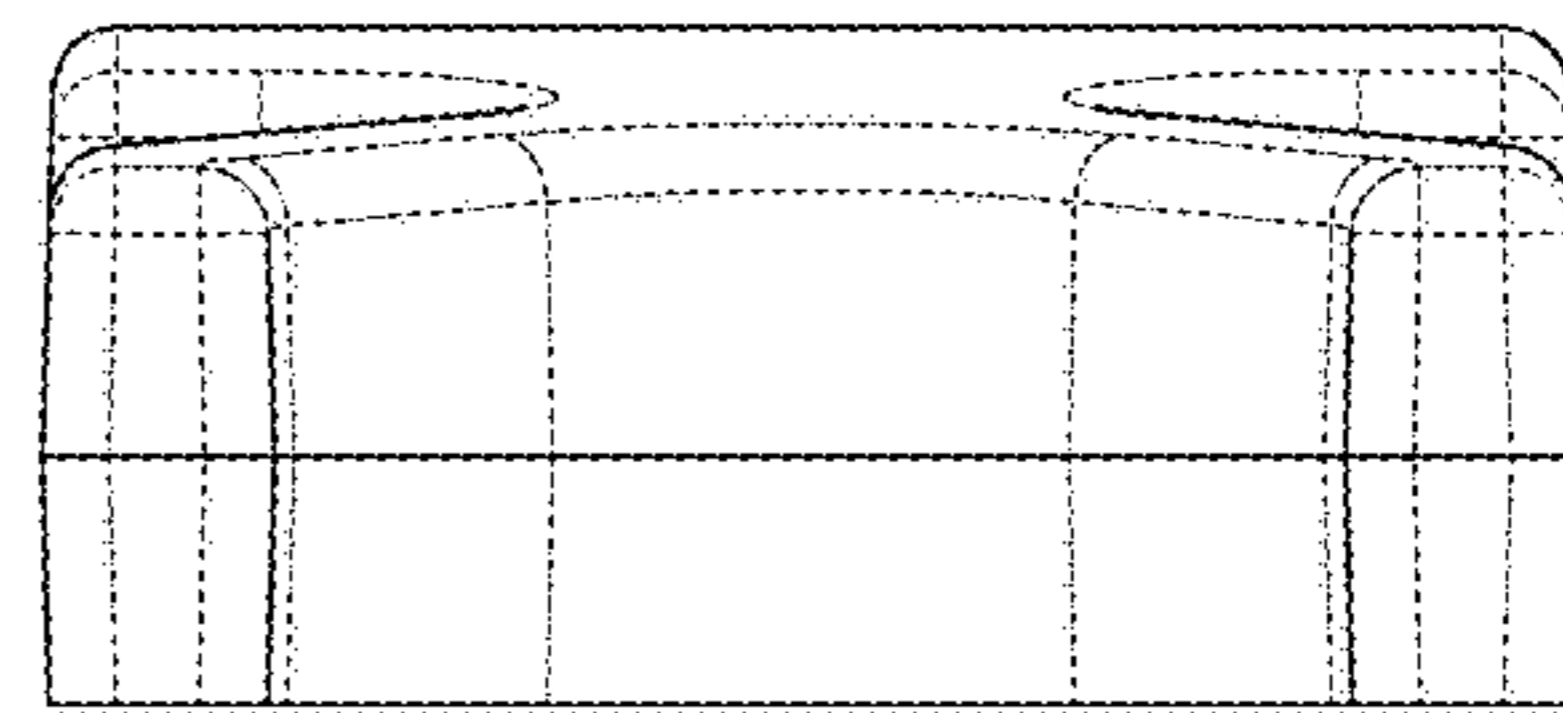


Fig. 4

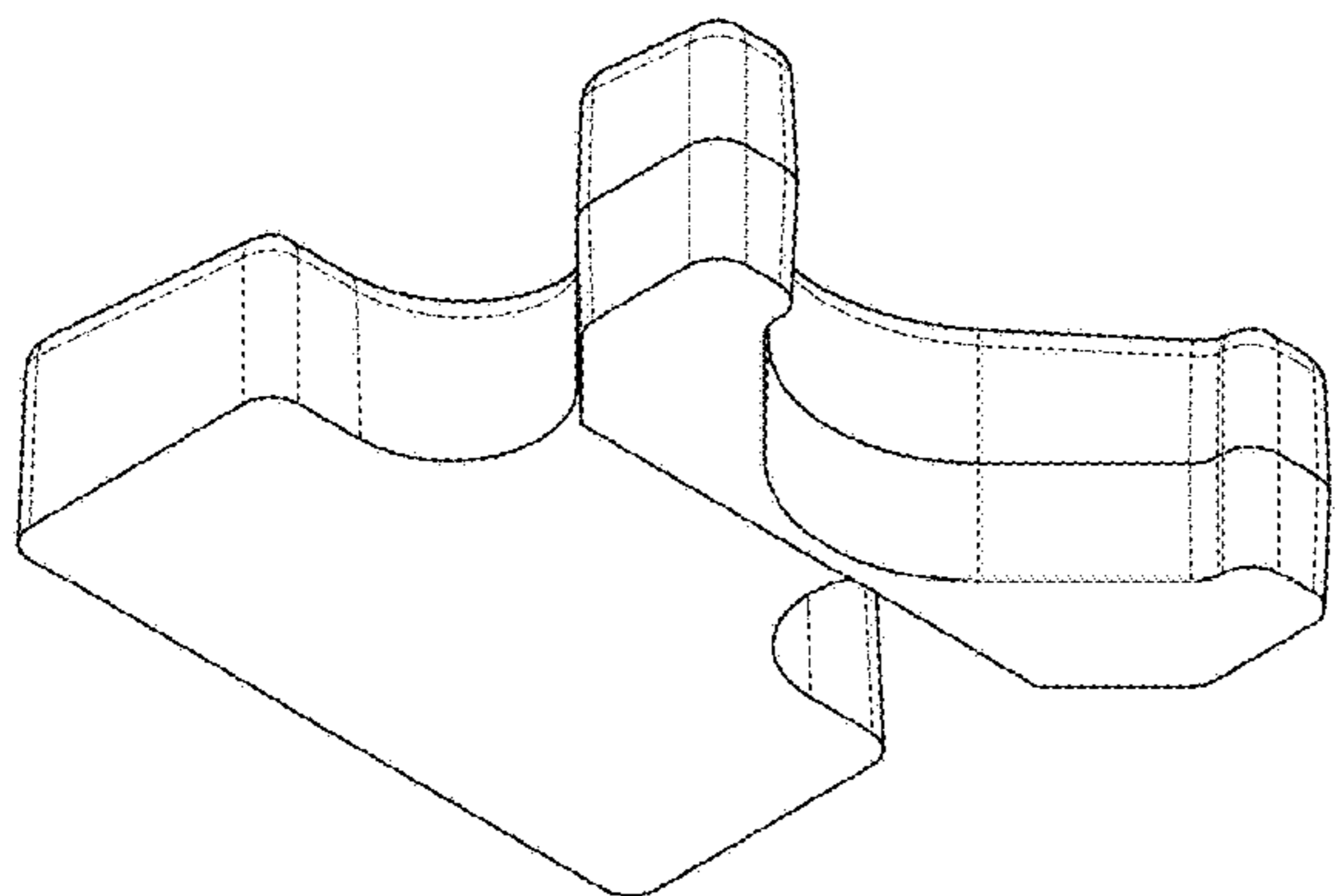


Fig. 5

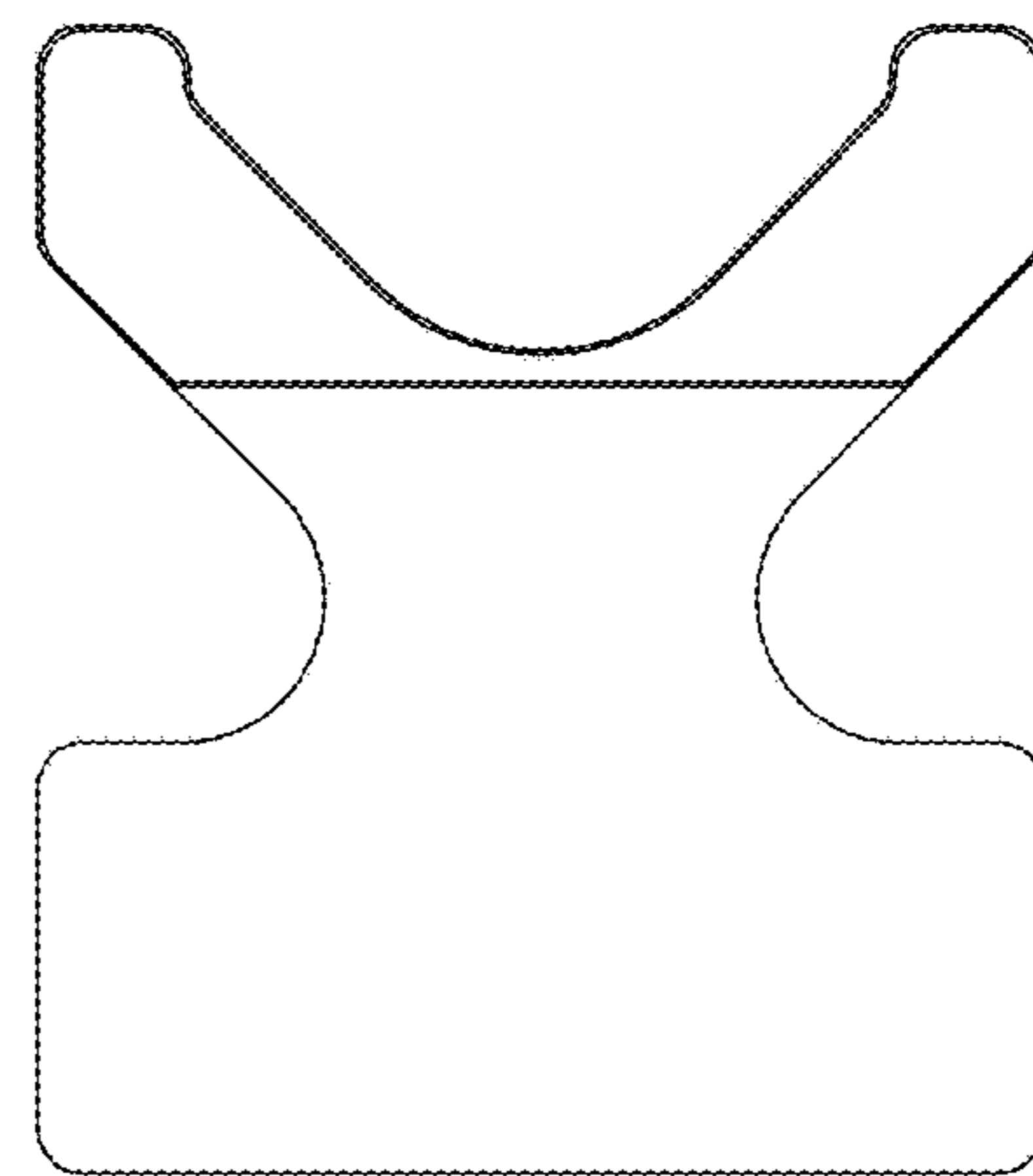


Fig. 6