



US00D820068S

(12) **United States Design Patent**
Brooks

(10) **Patent No.:** **US D820,068 S**

(45) **Date of Patent:** **** Jun. 12, 2018**

(54) **SHELF BRACKET**

(71) Applicant: **Christopher Brooks**, Barrington, RI
(US)

(72) Inventor: **Christopher Brooks**, Barrington, RI
(US)

(73) Assignee: **Plastics Plus Inc.**, Cumberland, RI
(US)

(**) Term: **15 Years**

(21) Appl. No.: **29/620,588**

(22) Filed: **Mar. 7, 2017**

(51) **LOC (11) Cl.** **08-05**

(52) **U.S. Cl.**
USPC **D8/363**

(58) **Field of Classification Search**
USPC D8/349-356, 358, 359, 363, 365, 366,
D8/371, 373, 374, 375, 380, 381, 382,
D8/387, 391, 393, 394, 396, 370, 367;
D14/239, 126, 451
CPC .. F16B 7/0466; F16B 7/04; F16B 1/00; F16L
3/00; E04B 2001/405; B60B 33/0089;
B60B 33/0097; F16M 13/02; F16M
13/025

See application file for complete search history.

(56) **References Cited**

U.S. PATENT DOCUMENTS

D345,906 S *	4/1994	Schmidt	D8/373
5,799,803 A *	9/1998	Muller	A47F 5/0043 108/108
D410,192 S *	5/1999	Giese	D8/354
D684,033 S *	6/2013	Preda	D8/354
D752,954 S *	4/2016	Lax	D8/354
D760,066 S *	6/2016	Krenek	D8/354
D769,174 S *	10/2016	Badillo	D12/223

* cited by examiner

Primary Examiner — Rosemary K Tarcza

Assistant Examiner — Christy M Nemeth

(74) *Attorney, Agent, or Firm* — Robert J Doherty

(57) **CLAIM**

The ornamental design for a shelf bracket, as shown.

DESCRIPTION

FIG. 1 is a front perspective view of a shelf bracket showing my new design;

FIG. 2 is a top plan view thereof;

FIG. 3 is a bottom plan view thereof;

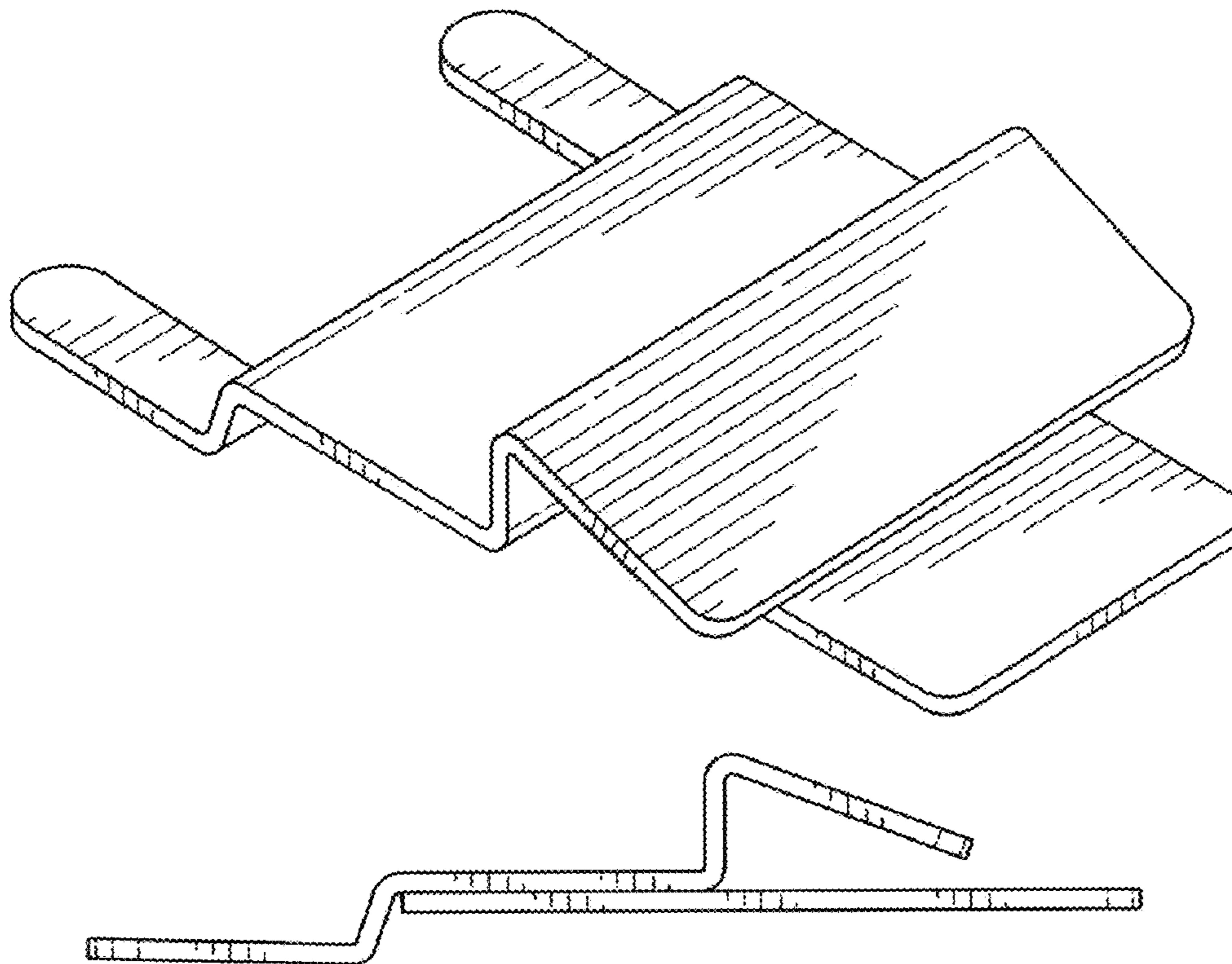
FIG. 4 is a front elevation view thereof;

FIG. 5 is a rear elevation view thereof;

FIG. 6 is a right side elevation view thereof; and,

FIG. 7 is a left side elevation view thereof.

1 Claim, 4 Drawing Sheets



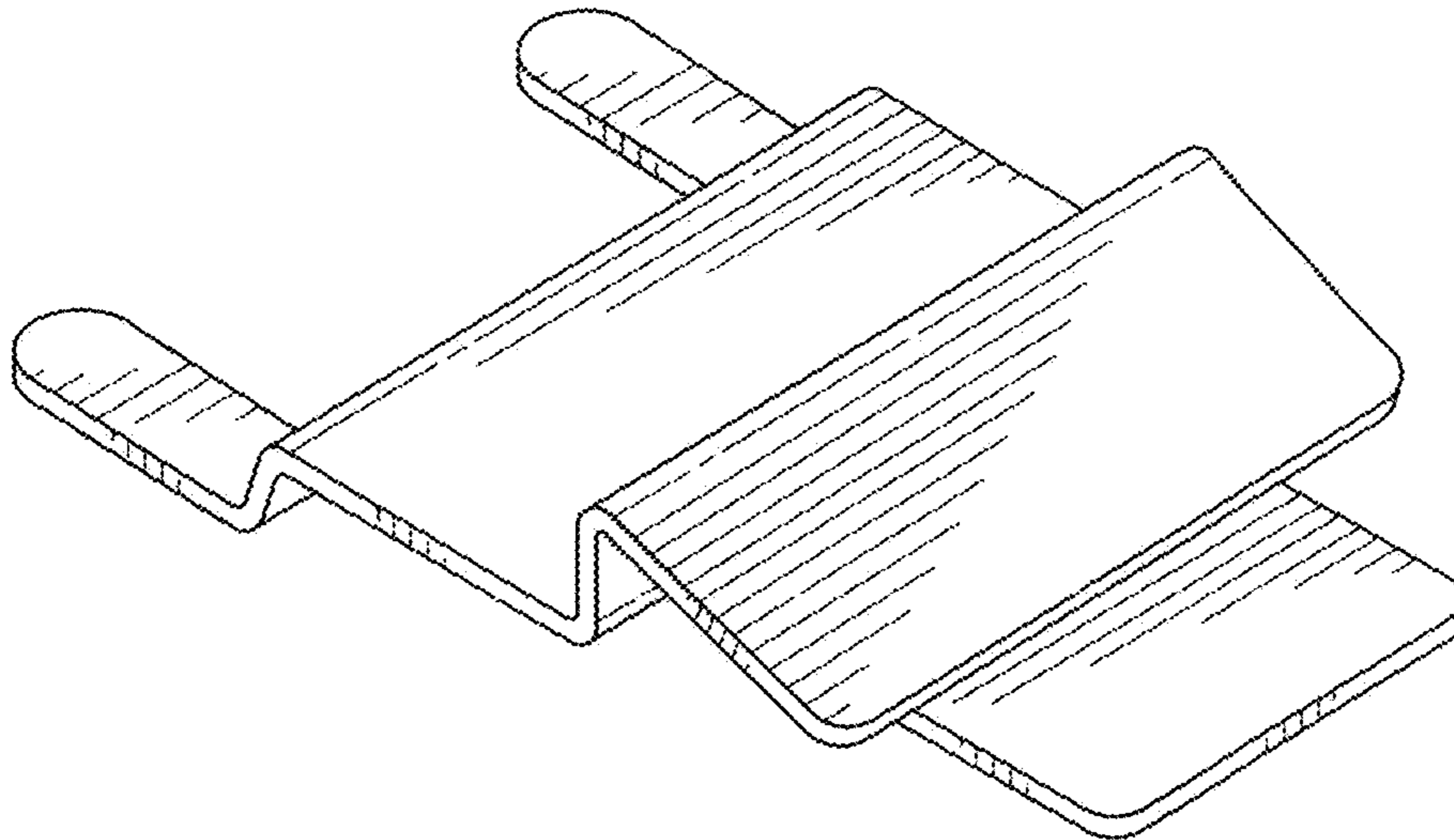


FIG. 1

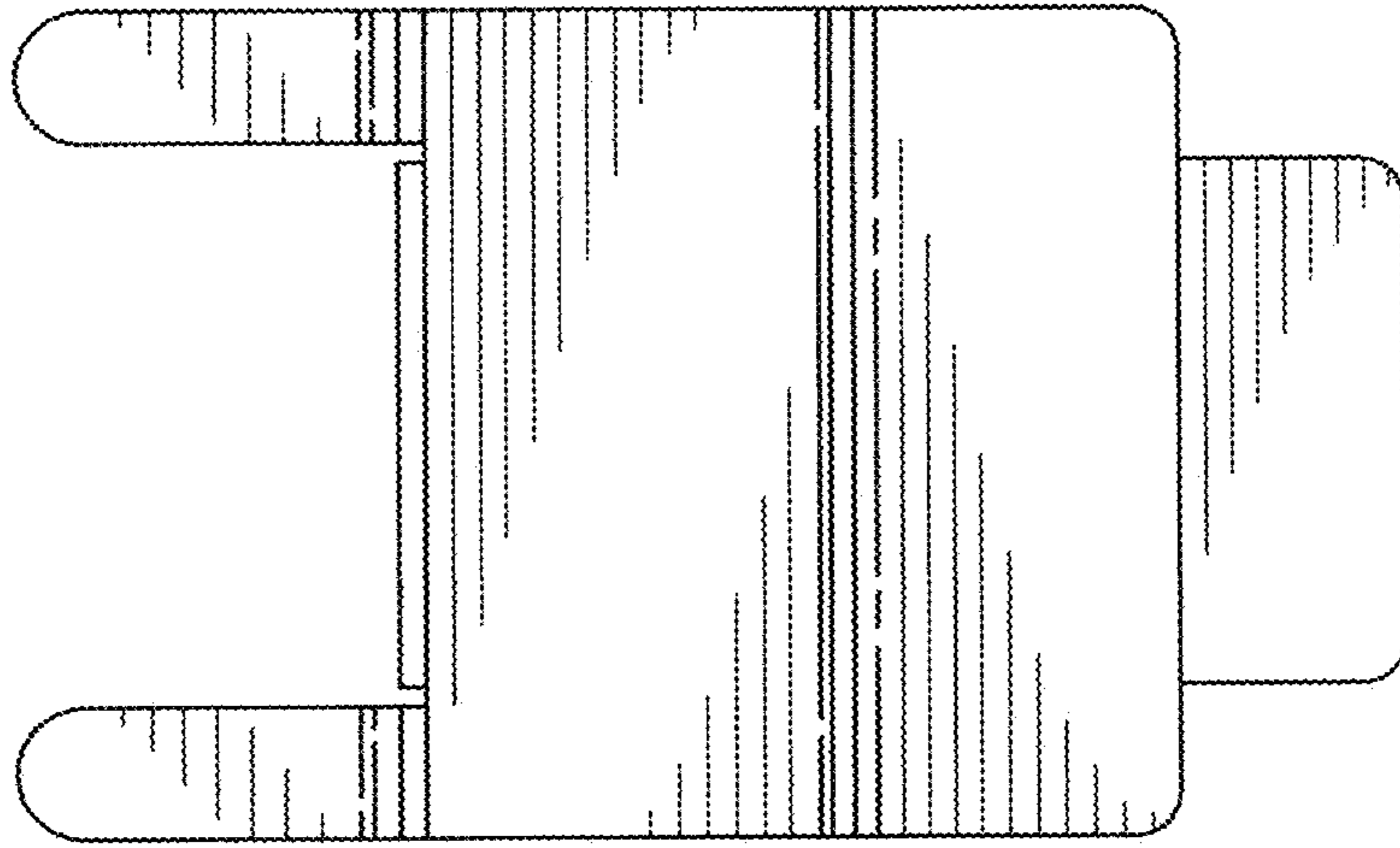


FIG. 2

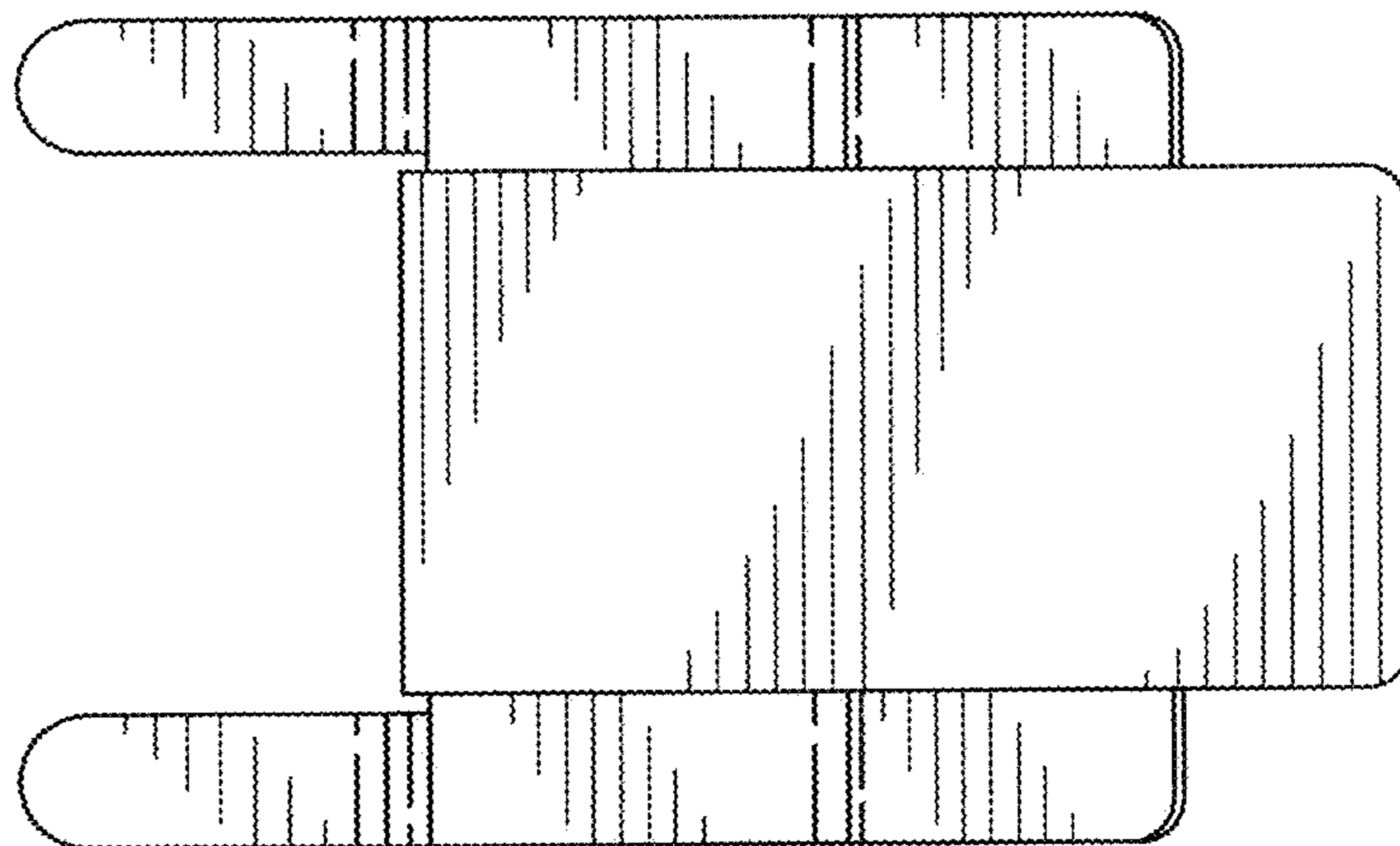


FIG. 3

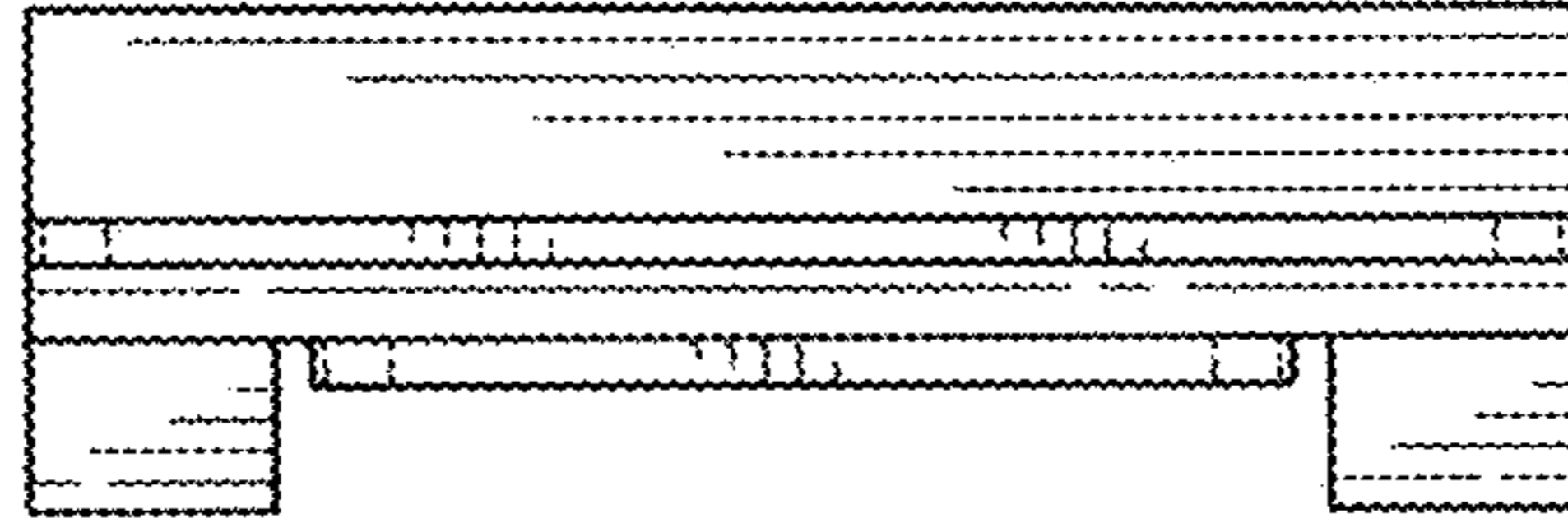


FIG. 4



FIG. 5

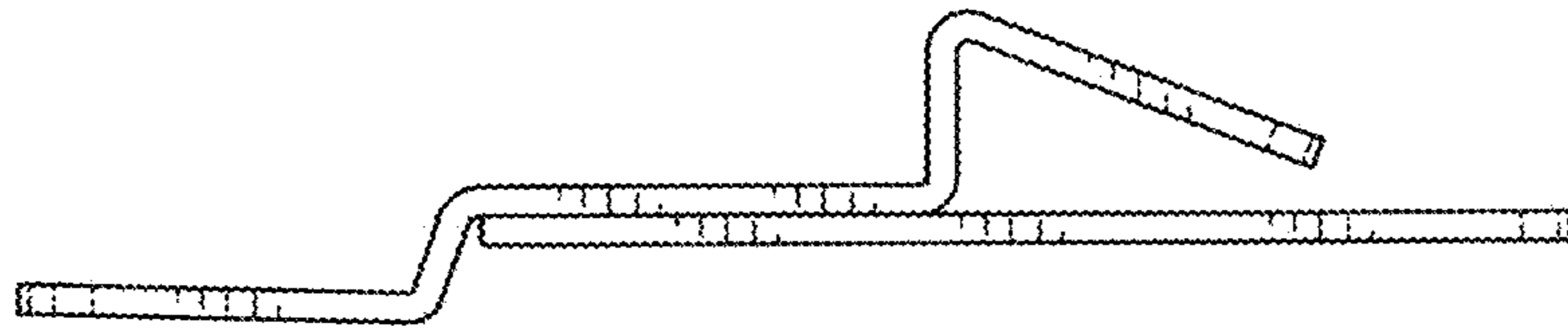


FIG. 6

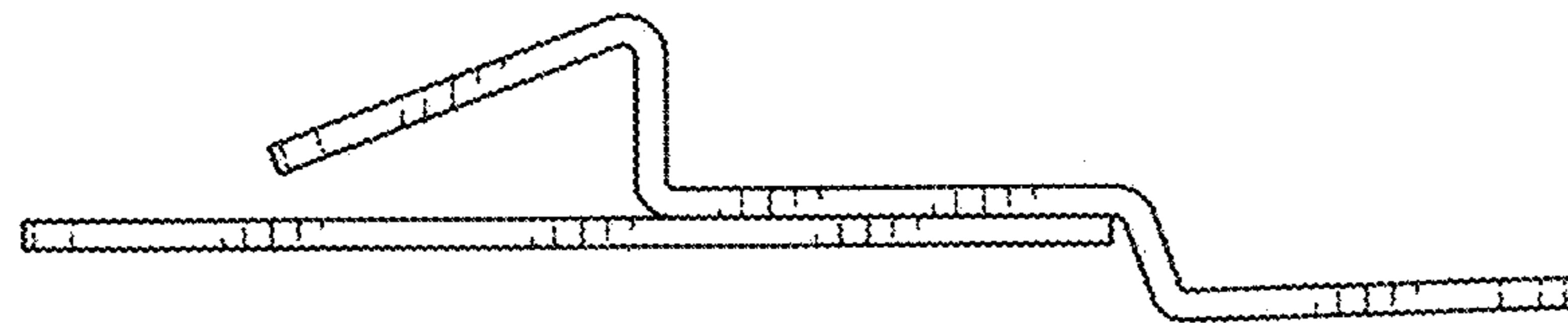


FIG. 7