



US00D820065S

(12) **United States Design Patent**
Chen

(10) **Patent No.:** **US D820,065 S**
(45) **Date of Patent:** **** Jun. 12, 2018**

(54) **PANEL FOR ELECTRONIC LOCK**

(71) Applicant: **NINGBO TATEX MECHTRONICS CO., LTD.**, Zhejiang (CN)

(72) Inventor: **Jiayan Chen**, Zhejiang (CN)

(73) Assignee: **NINGBO TATEX MECHTRONICS CO., LTD.**, Zhejiang (CN)

(**) Term: **15 Years**

(21) Appl. No.: **29/603,750**

(22) Filed: **May 11, 2017**

(51) **LOC (11) Cl.** **08-07**

(52) **U.S. Cl.**
USPC **D8/334; D8/343; D8/330**

(58) **Field of Classification Search**
USPC D8/330, 331, 334, 339, 30, 343, 346, D8/404; 70/277, 279.2, 286, 333 R, 70/333 A, 280, 282, 410, 485, 14, 20, 21, 70/22, 51, 52, 54; 292/2, 32, 37, 292/288-292
CPC G05B 19/00; G05B 15/00; E05B 49/00; E05B 9/00; E05B 17/00; E05B 37/00
See application file for complete search history.

(56) **References Cited**

U.S. PATENT DOCUMENTS

4,665,727	A *	5/1987	Uyeda	E05B 37/00
					70/277
5,033,282	A *	7/1991	Gartner	E05B 47/0012
					70/119
D438,447	S *	3/2001	Gartner	D8/331
D484,390	S *	12/2003	Abernethy	D8/331
D498,895	S *	11/2004	Lynch	D99/28
D513,582	S *	1/2006	Osiecki	D8/331
7,336,150	B2 *	2/2008	Gokcebay	E05B 47/06
					340/5.2

D701,745	S *	4/2014	Stevens	D8/333
D734,125	S *	7/2015	Kodama	D8/330
D734,650	S *	7/2015	Kodama	D8/330
D771,472	S *	11/2016	Gartner	D8/331
D774,871	S *	12/2016	Gartner	D8/331
9,665,178	B2 *	5/2017	Bukurak	G06F 3/017

* cited by examiner

Primary Examiner — Prabhakar G Deshmukh

(74) *Attorney, Agent, or Firm* — JCIPRNET

(57) **CLAIM**

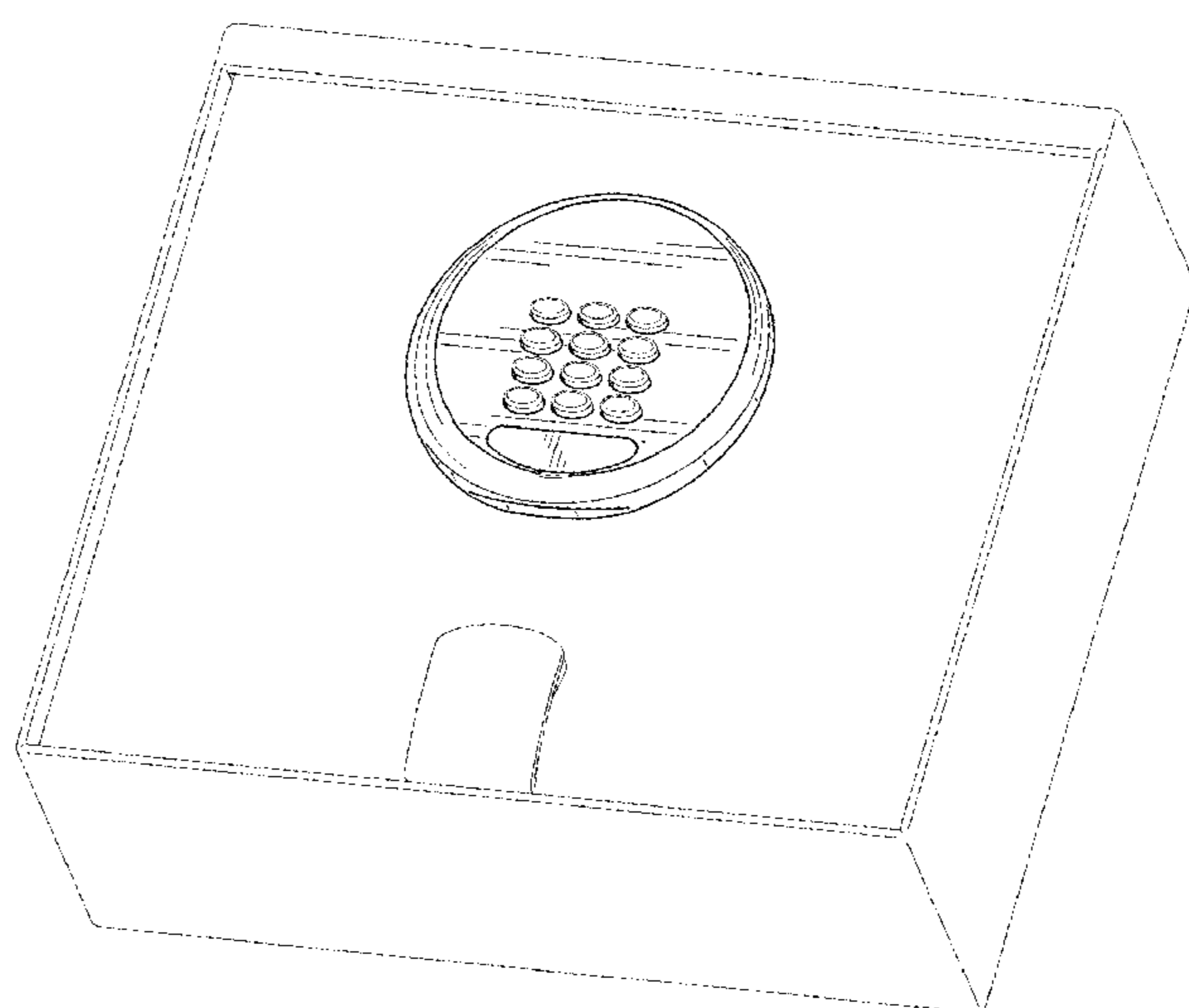
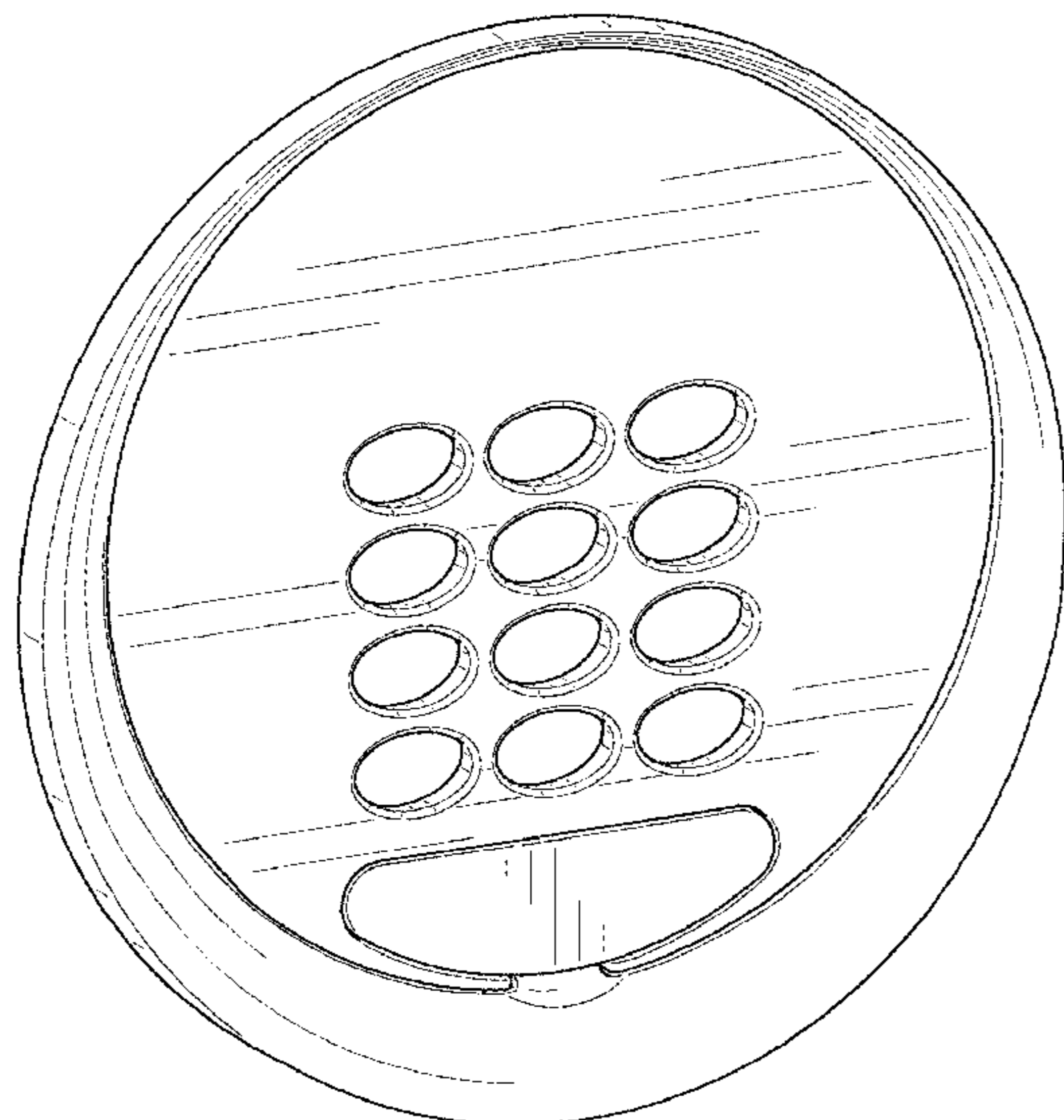
The ornamental design for a panel for electronic lock, as shown and described.

DESCRIPTION

FIG. 1 is a perspective view of a panel for electronic lock showing my new design;
FIG. 2 is a front view thereof;
FIG. 3 is a left side view thereof;
FIG. 4 is a right side view thereof;
FIG. 5 is a top view thereof;
FIG. 6 is a bottom view thereof;
FIG. 7 is another perspective view thereof, mounted on a front door of a safe; and,
FIG. 8 is another perspective view thereof, mounted on an upper door of another safe.

A rear view thereof is omitted since it does not contain ornamental features. The dashed lines in FIGS. 3-6 illustrate portions of the panel for electronic lock and form no part of the claimed design. The dot-dash lines showing of the buttons in FIGS. 7 and 8 illustrate environmental structure and form no part of the claimed design. The dot-dot-dash lines showing of the safes in FIGS. 7 and 8 illustrate environmental structure and form no part of the claimed design.

1 Claim, 6 Drawing Sheets



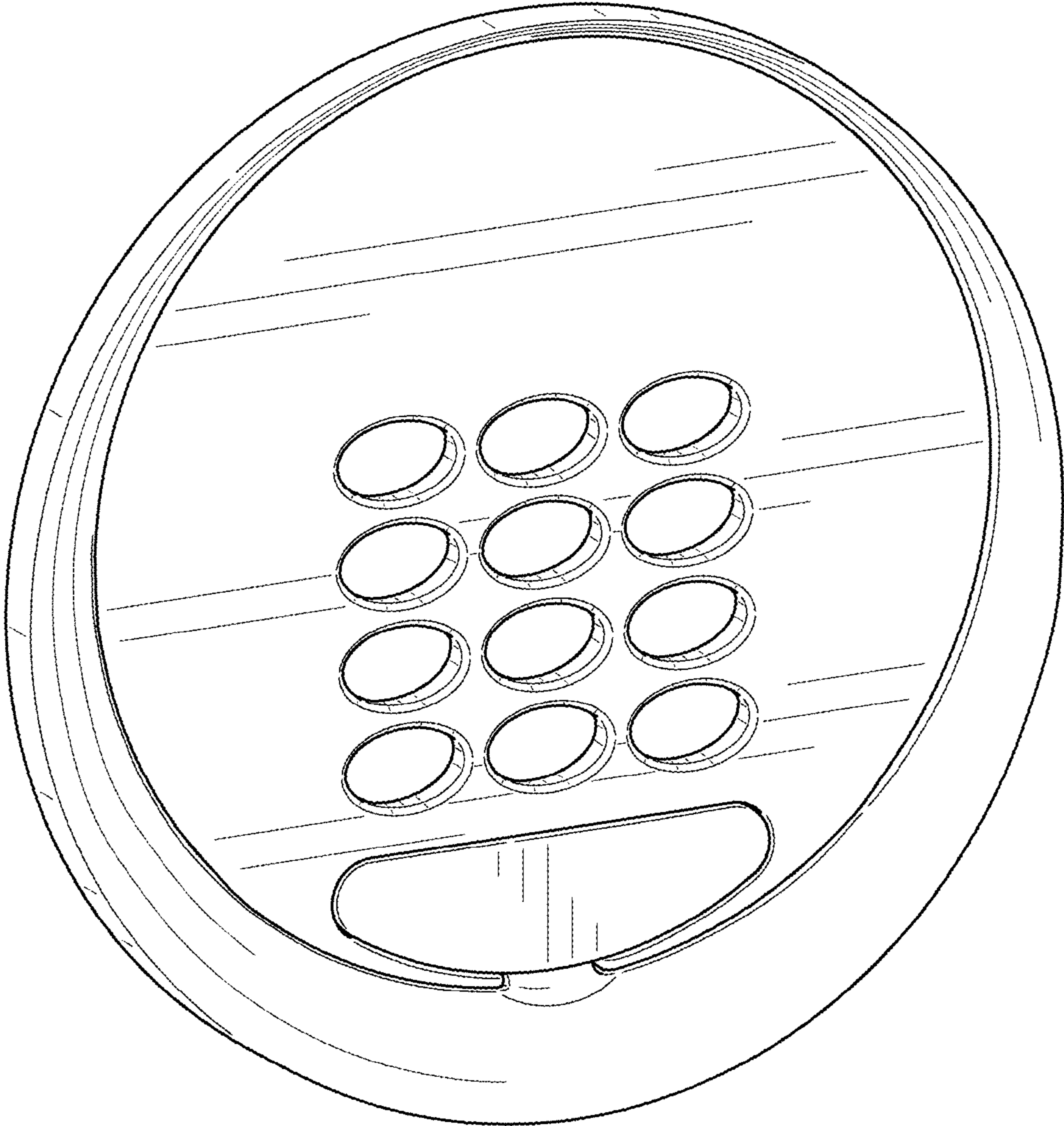


FIG. 1

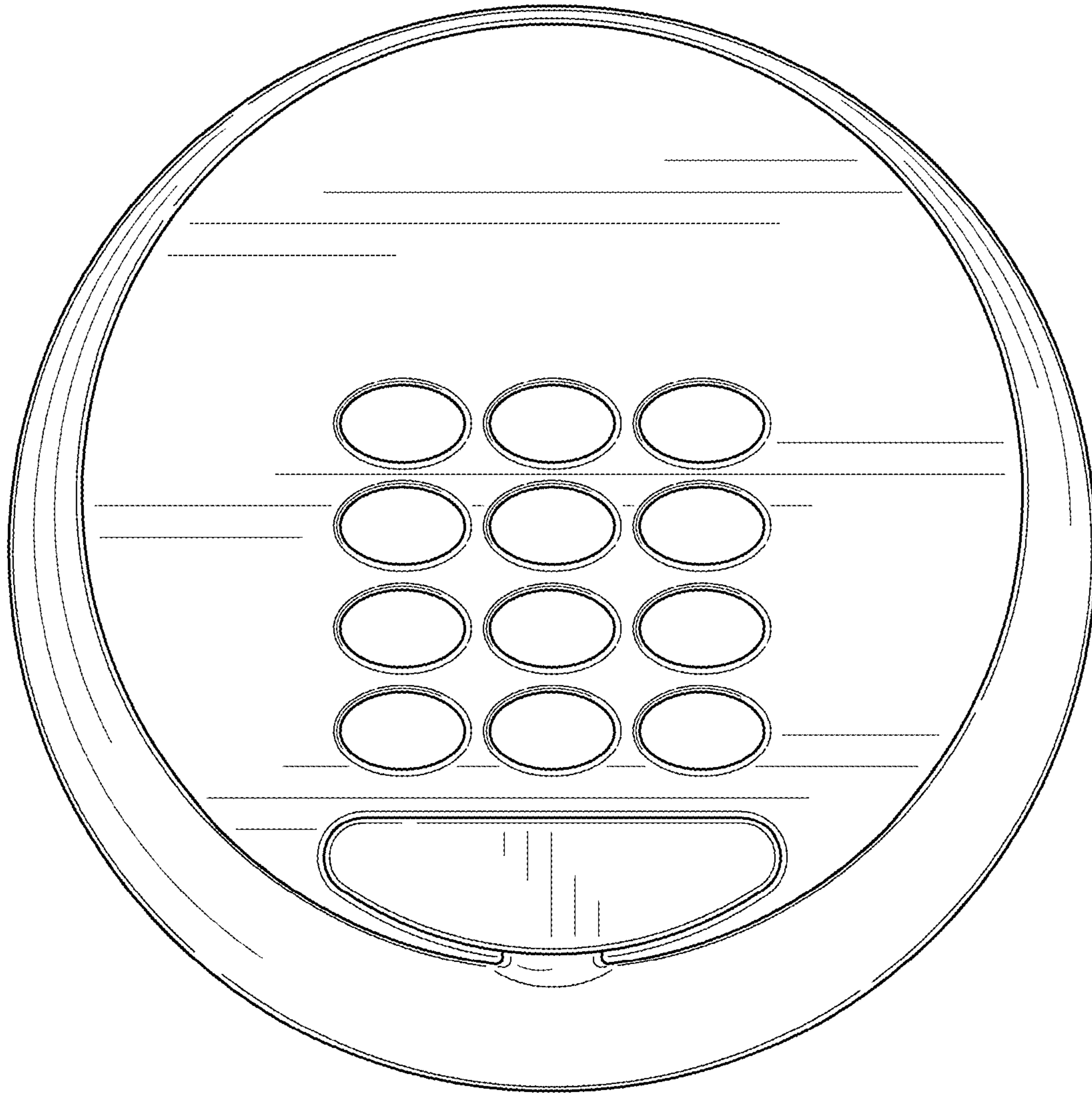


FIG. 2

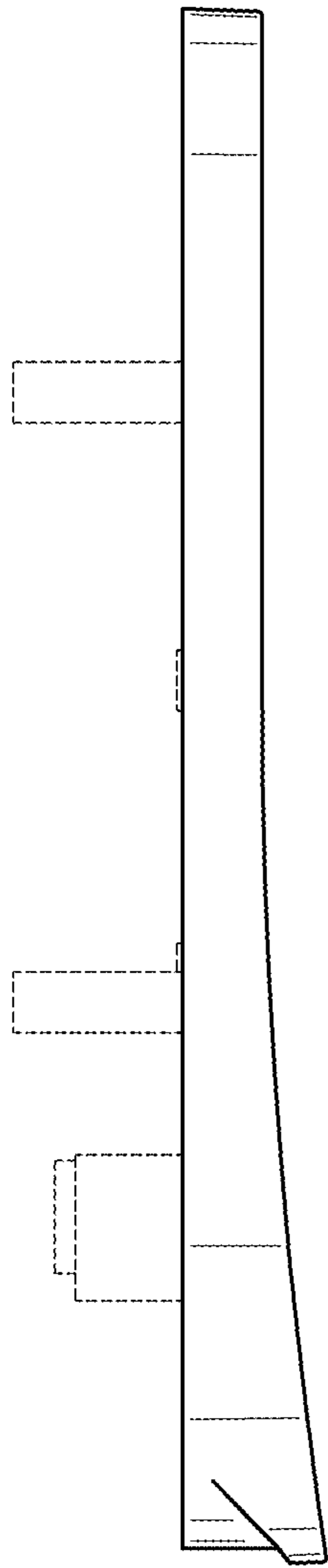


FIG. 3

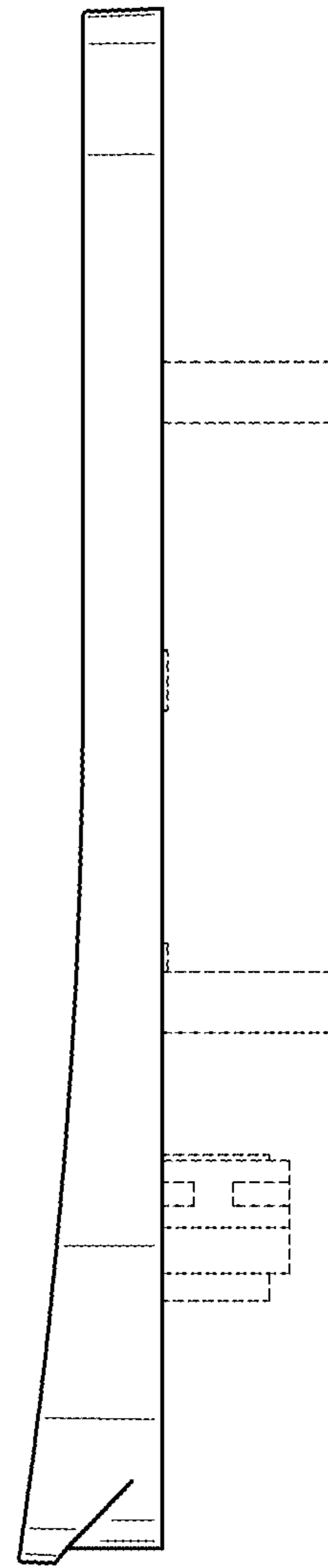


FIG. 4

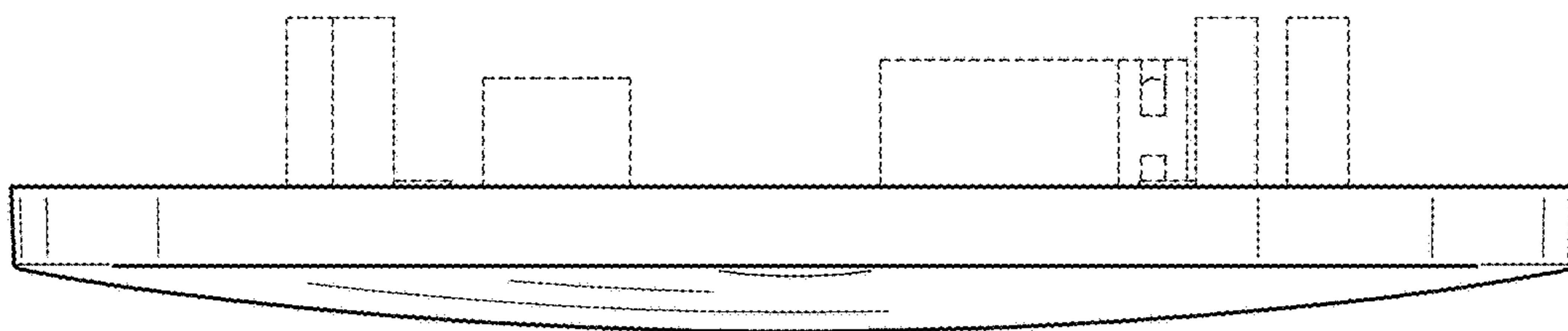


FIG. 5

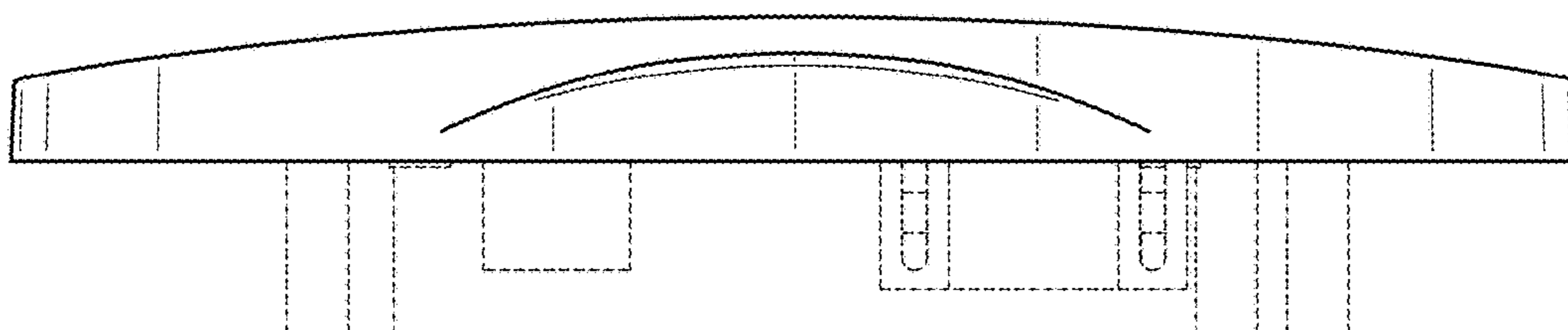


FIG. 6

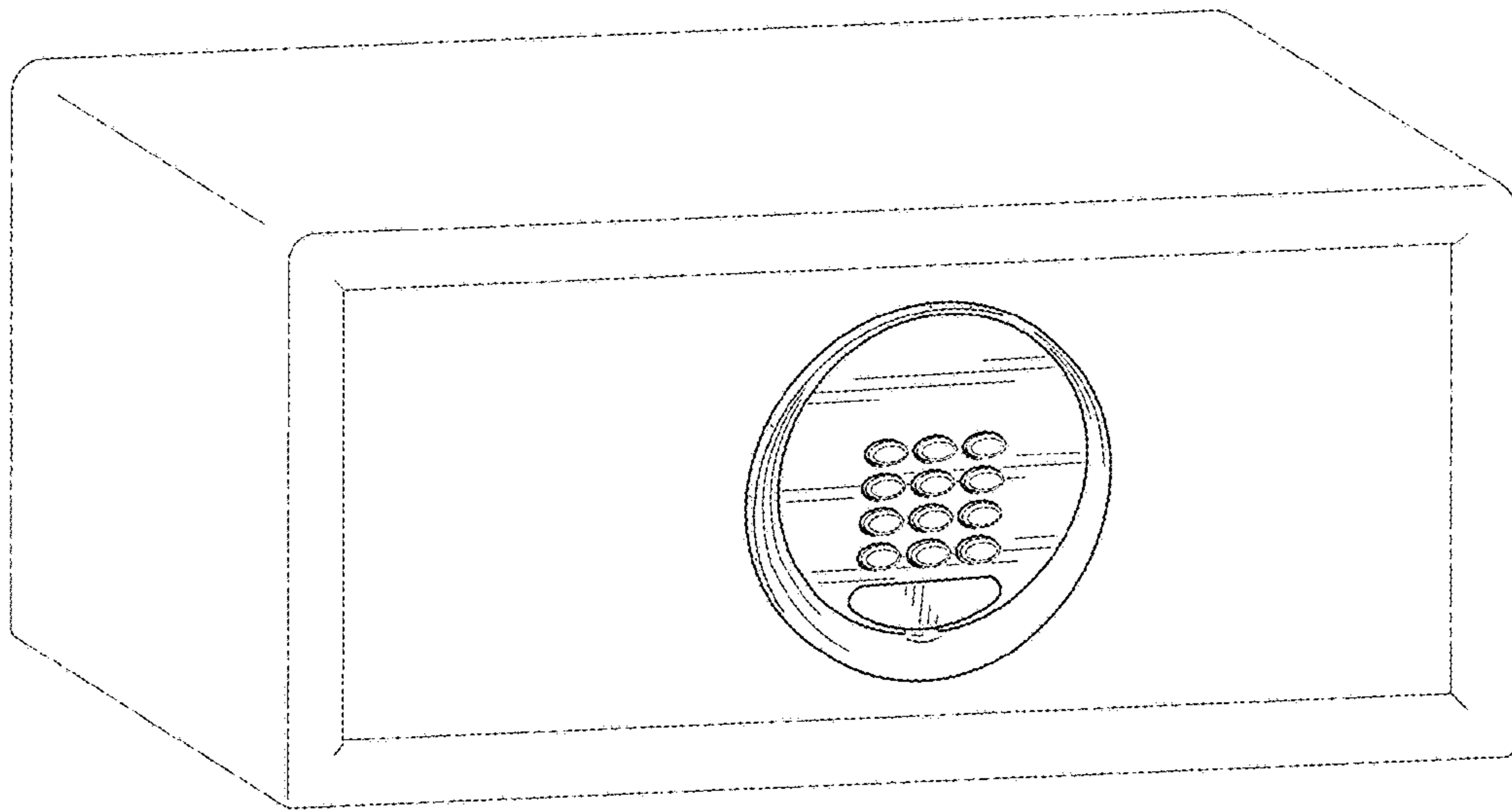


FIG. 7

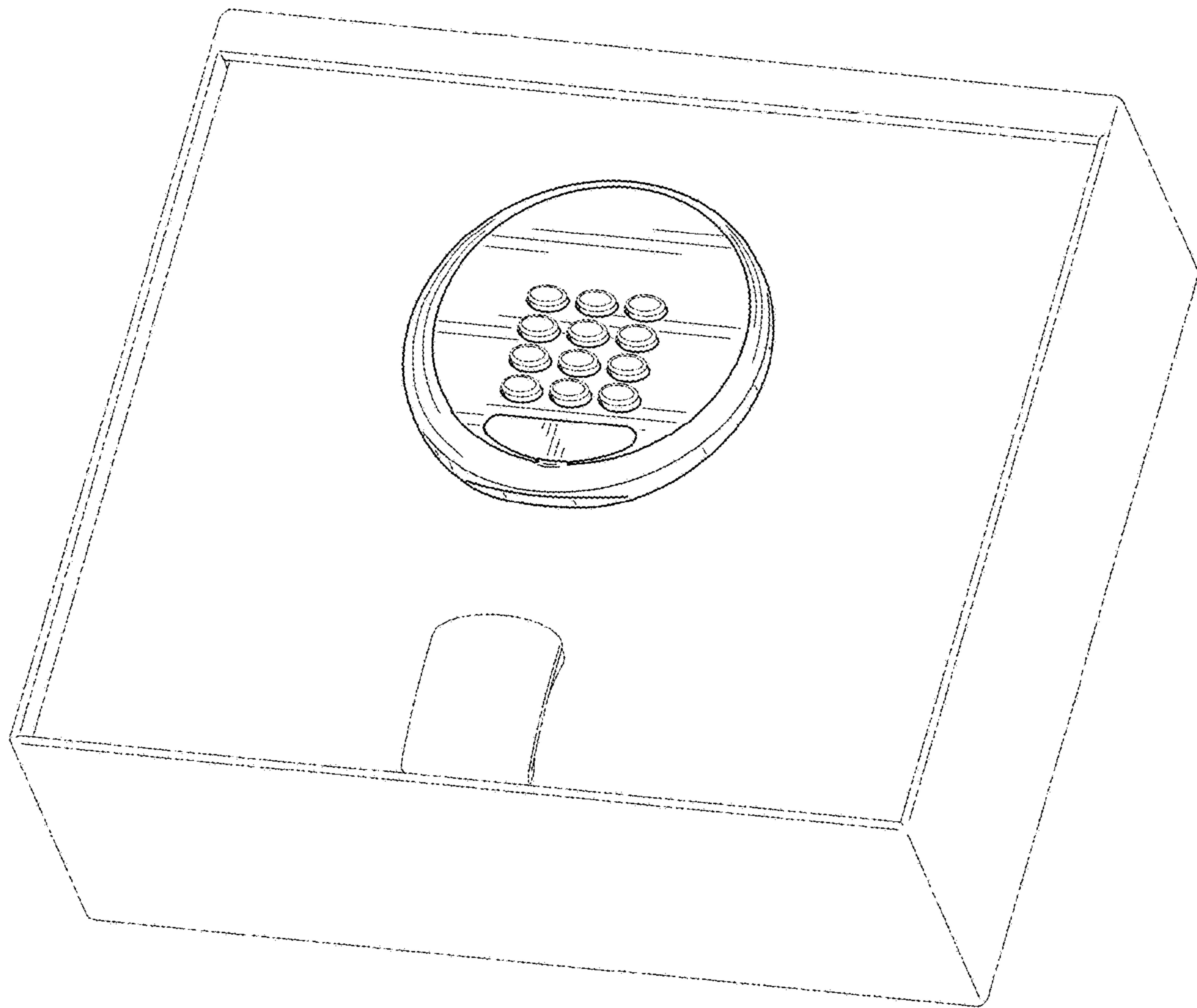


FIG. 8