



US00D820064S

(12) **United States Design Patent**
Thompson

(10) **Patent No.:** **US D820,064 S**
(45) **Date of Patent:** **** Jun. 12, 2018**

- (54) **LATCH EXTENDER**
- (71) Applicant: **Mailin Lola Thompson**, Denver, CO
(US)
- (72) Inventor: **Mailin Lola Thompson**, Denver, CO
(US)
- (**) Term: **15 Years**
- (21) Appl. No.: **29/603,245**
- (22) Filed: **May 8, 2017**
- (51) **LOC (11) Cl.** **08-07**
- (52) **U.S. Cl.**
USPC **D8/331**; D8/339; D8/343
- (58) **Field of Classification Search**
USPC D8/330, 331, 333, 339, 343, 344, 345,
D8/349, 354, 355, 356, 367, 382; 70/14,
70/49, 58, DIG. 63, DIG. 35, 30, 51, 52,
70/57, 57.1, 141, 431, 465, 466, 29;
292/256, 262, 281, 285, 288, DIG. 30,
292/340, 341.13, 341.18, 339; 24/458,
24/455, 572.1, 573.09, 265 R, 307 R
CPC E05C 19/10; E05C 19/18; E05B 73/00;
B25G 3/00; B25G 3/12; E04C 17/30;
E04C 17/04
See application file for complete search history.

- 6,962,394 B2 * 11/2005 Anthony B60N 2/2806
24/633
- 7,172,224 B2 * 2/2007 Carter E05C 17/042
292/262
- 7,617,707 B2 * 11/2009 Chiang E05B 13/10
292/336.3
- D610,036 S * 2/2010 Balensiefer, II D11/201
- 7,810,220 B2 * 10/2010 Anthony A01K 27/005
24/599.1
- 7,862,124 B2 * 1/2011 Dingman A44B 11/10
24/171
- D649,432 S * 11/2011 Main D8/331
- D732,370 S * 6/2015 Pittman D8/330
- D779,306 S * 2/2017 Finkelstein D8/331
- D804,282 S * 12/2017 Schweiss D8/339

* cited by examiner

Primary Examiner — Prabhakar Deshmukh
(74) *Attorney, Agent, or Firm* — Reilly Intellectual
Property Law Firm

(57) **CLAIM**

The ornamental design for a latch extender, as shown and described.

DESCRIPTION

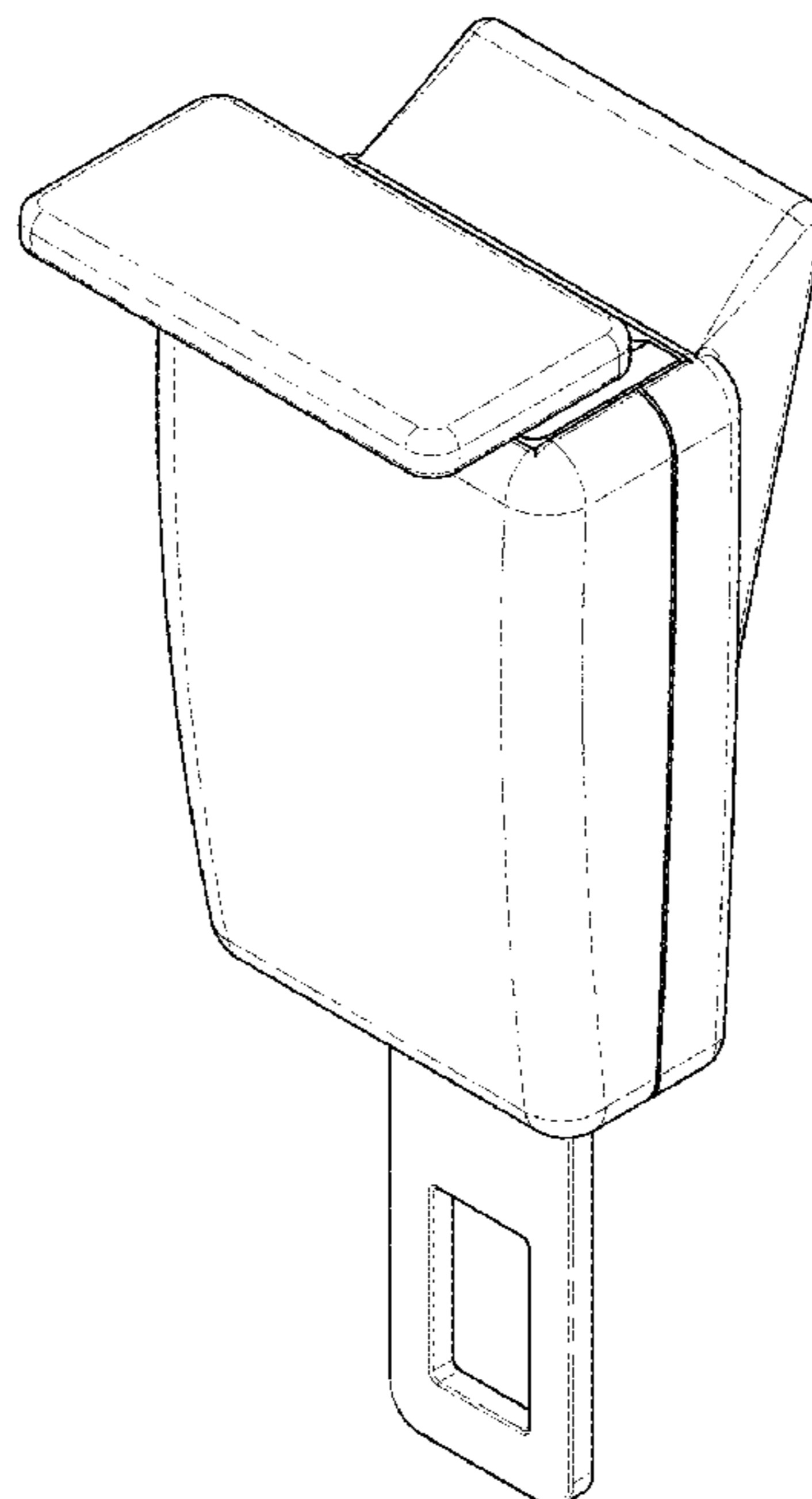
FIG. 1 is a front perspective view of a latch extender showing my new design;
FIG. 2 is a rear perspective view;
FIG. 3 is a top view of FIG. 1;
FIG. 4 is a left side view of FIG. 1;
FIG. 5 is a front view of FIG. 1;
FIG. 6 is a right side view of FIG. 1;
FIG. 7 is rear view of FIG. 5; and,
FIG. 8 is a bottom view of FIG. 1.
The broken lines in the drawings are intended to show the contours of the surfaces of the claimed design.

1 Claim, 3 Drawing Sheets

(56) **References Cited**

U.S. PATENT DOCUMENTS

- 1,447,846 A * 3/1923 Hill E05C 19/08
292/262
- 5,551,738 A * 9/1996 Thorlton E05C 17/042
24/598.6
- D468,994 S * 1/2003 Votruba D8/343



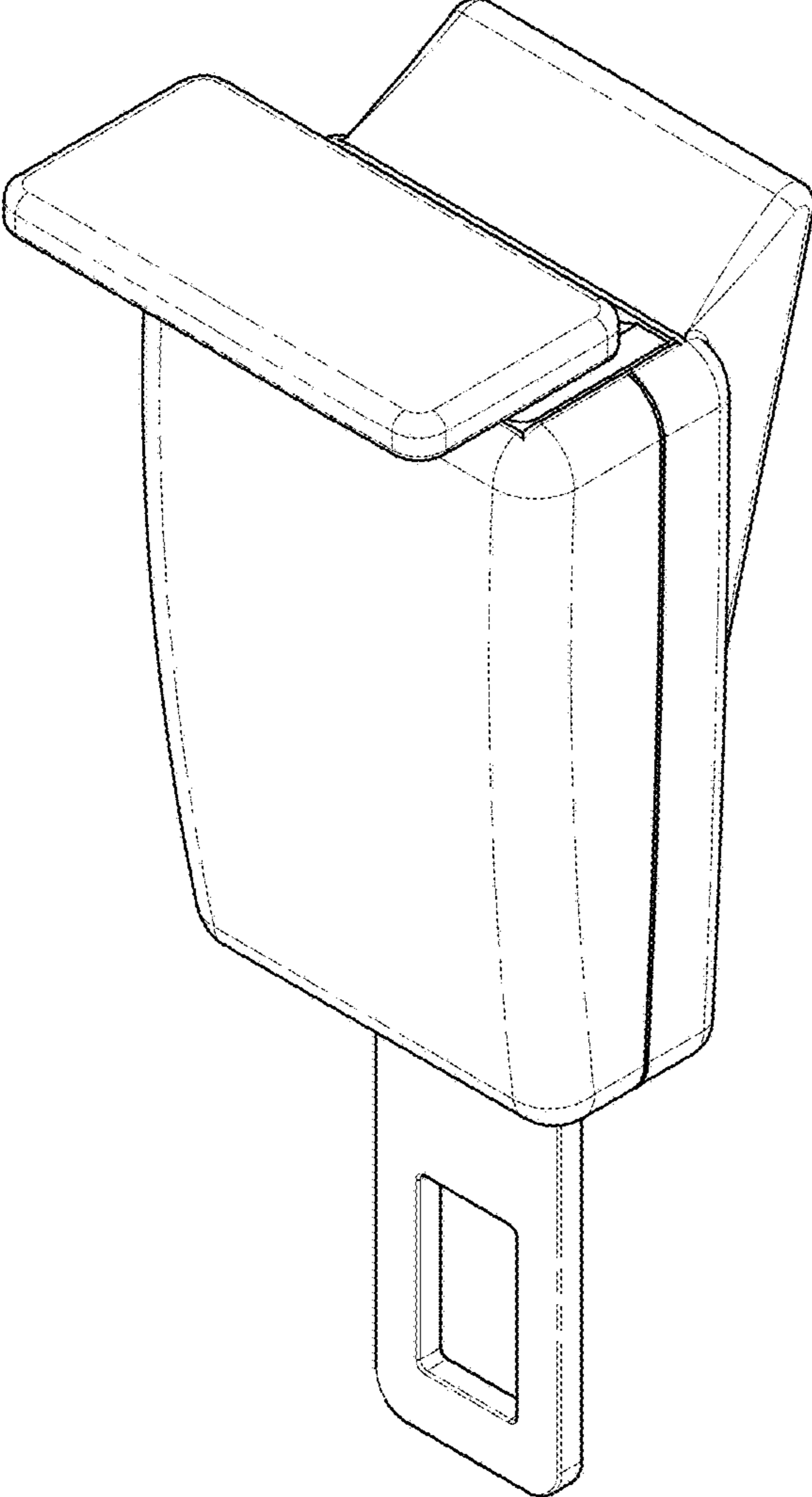


Fig. 1

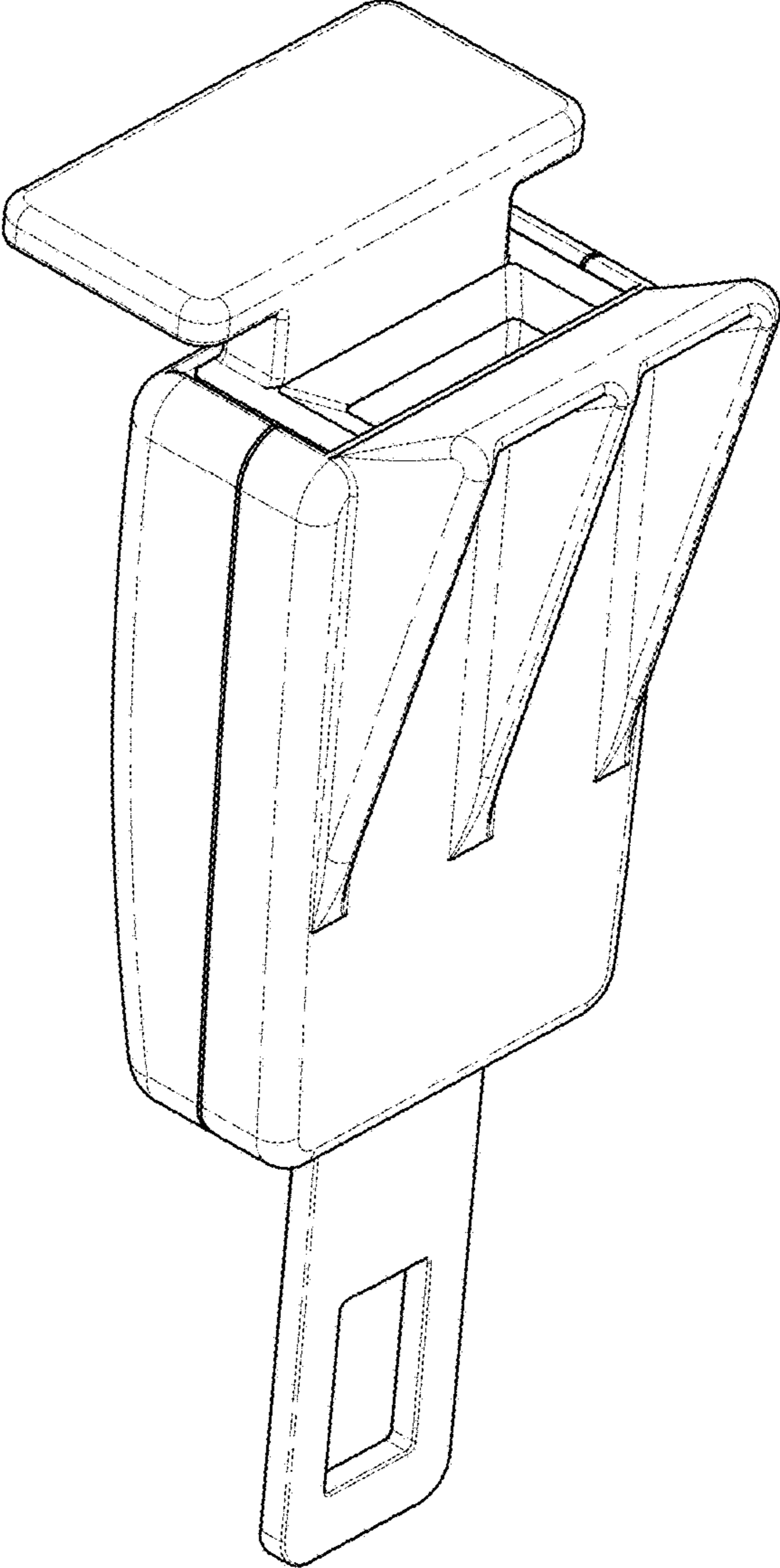


Fig. 2

Fig. 3

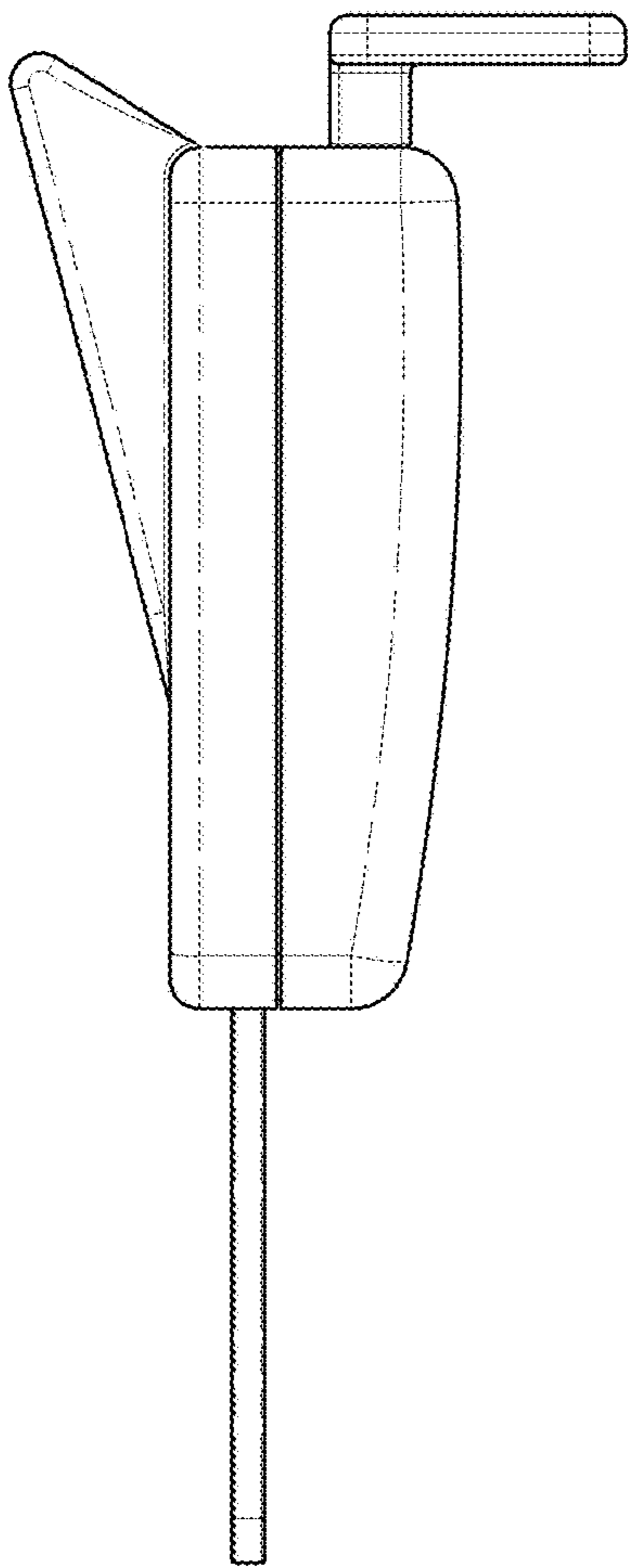
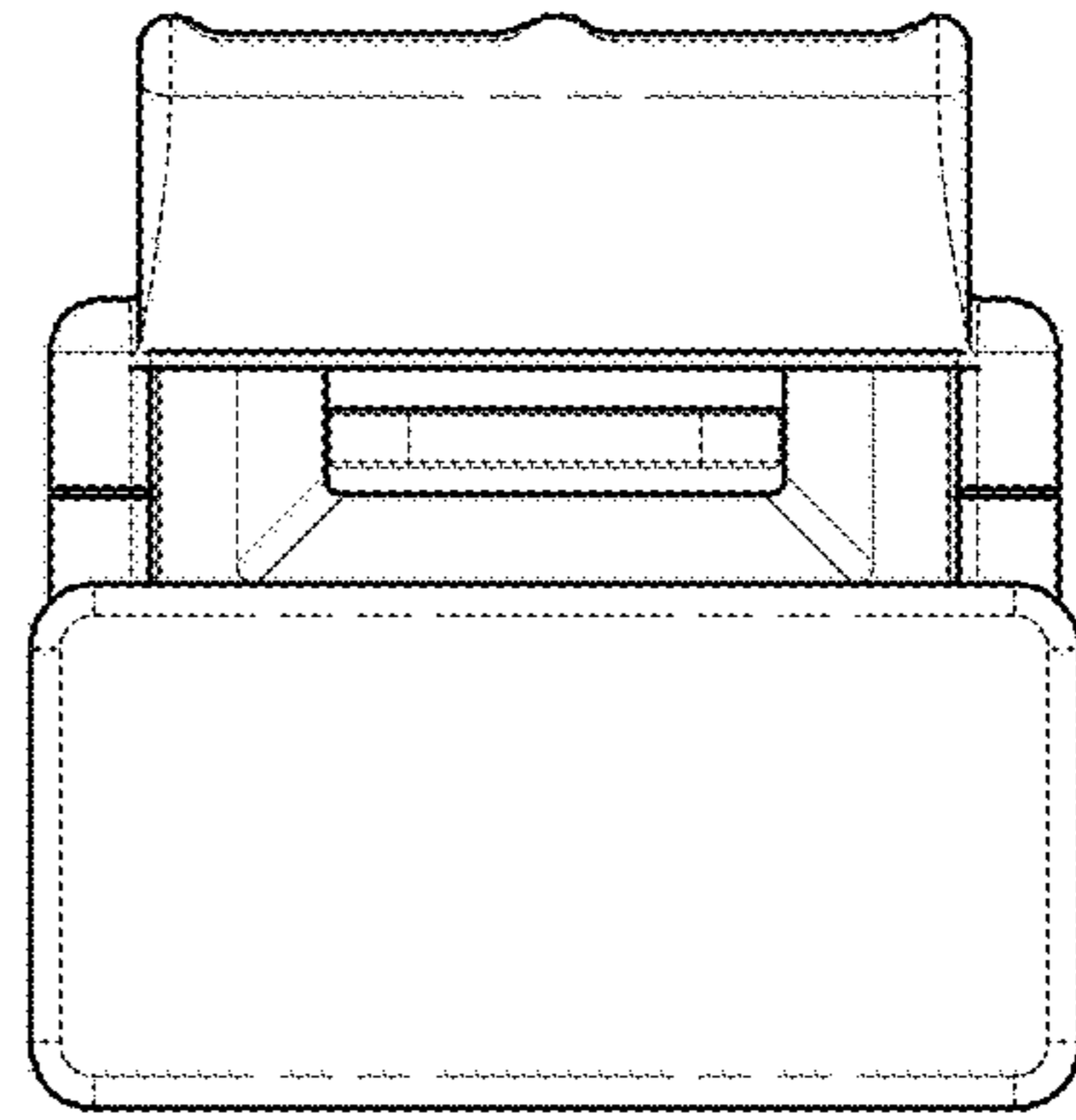


Fig. 4

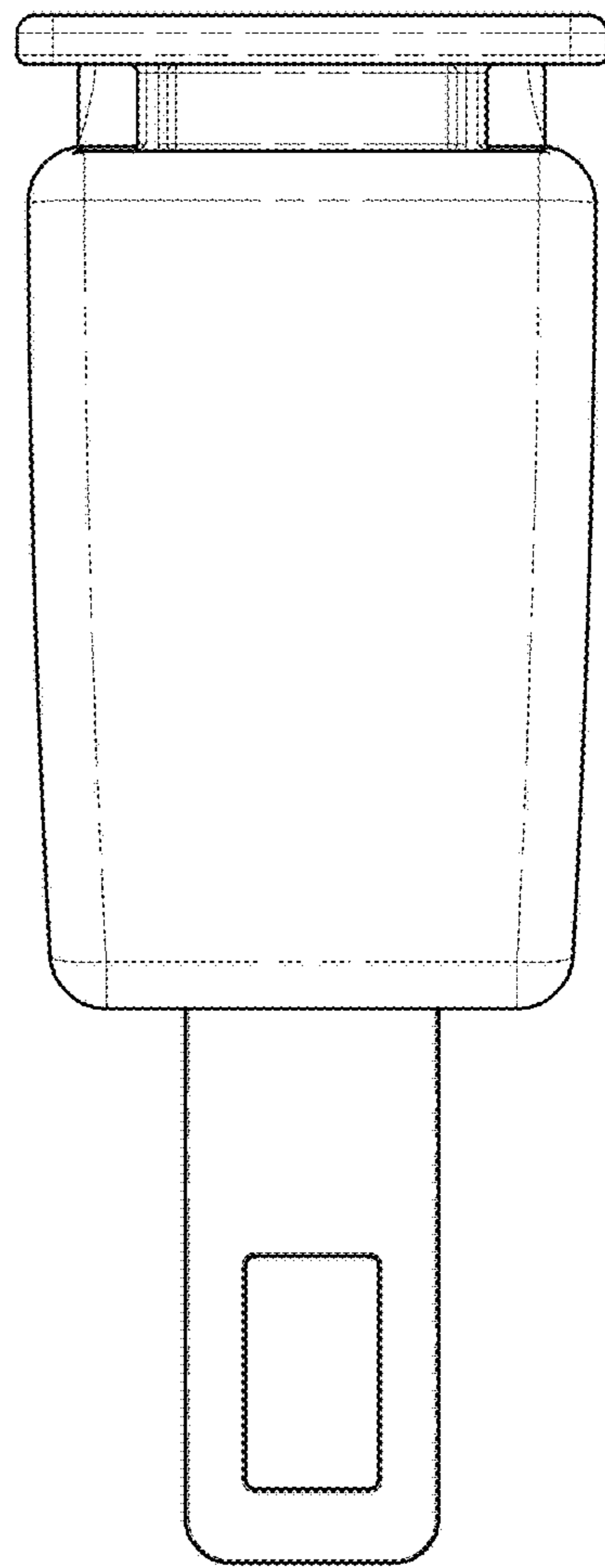


Fig. 5

Fig. 6

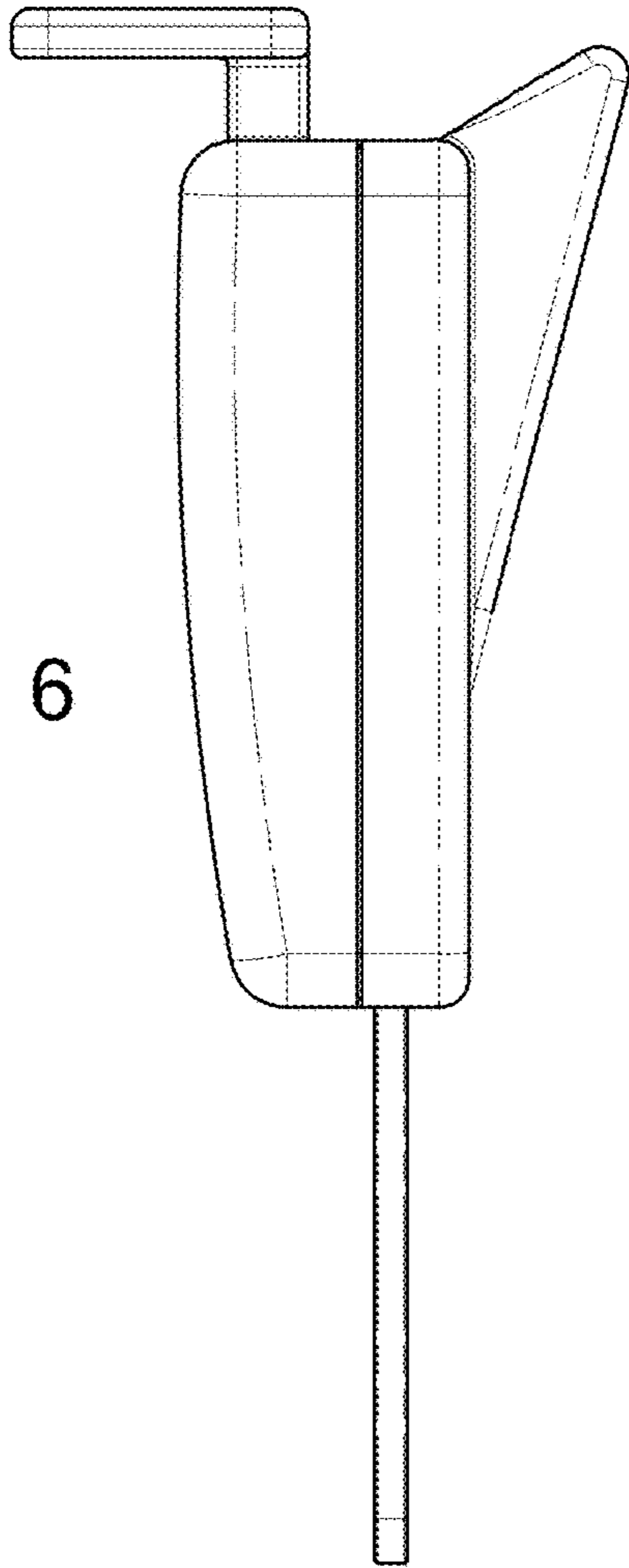


Fig. 7

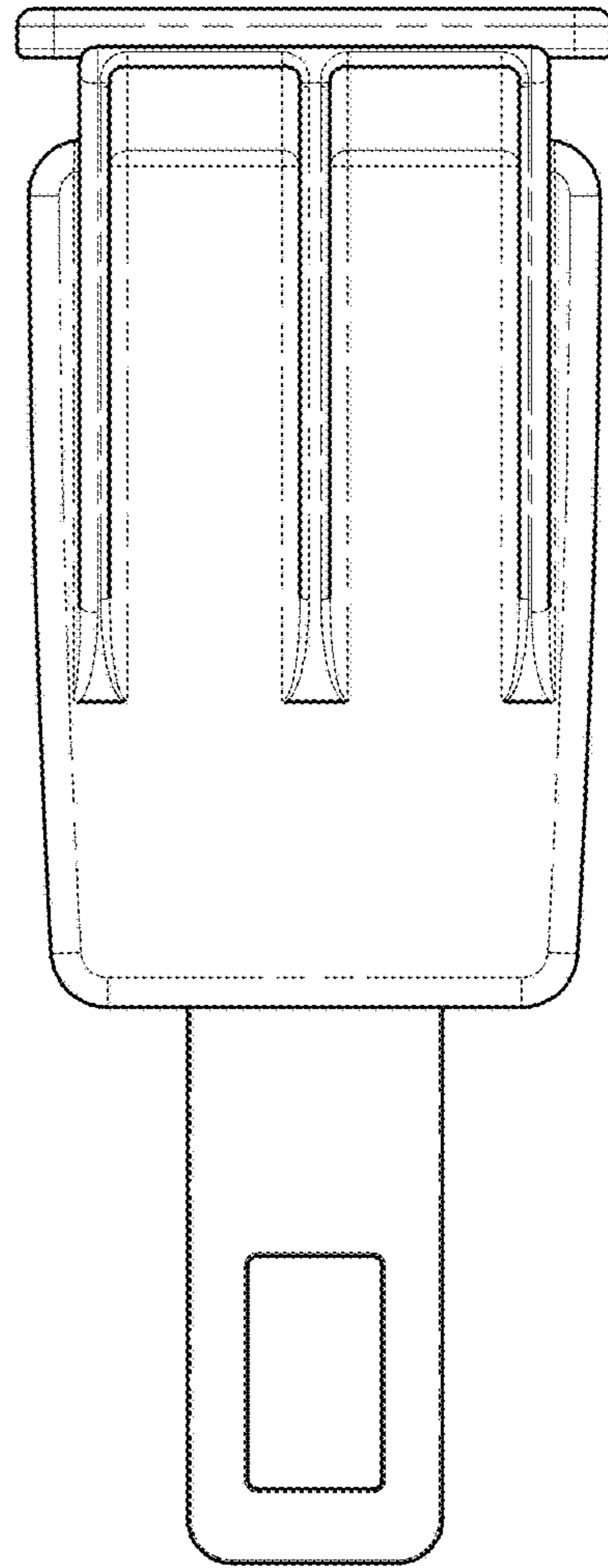


Fig. 8

