

US00D820062S

(12) **United States Design Patent** (10) **Patent No.:** **US D820,062 S**  
**Martin et al.** (45) **Date of Patent:** **\*\* Jun. 12, 2018**

(54) **CLAMPS**

(71) Applicants: **Byron Scott Martin**, Gilbert, SC (US);  
**William Anthony Henson**, Lexington, SC (US)

(72) Inventors: **Byron Scott Martin**, Gilbert, SC (US);  
**William Anthony Henson**, Lexington, SC (US)

(\*\*) Term: **15 Years**

(21) Appl. No.: **35/001,269**

(22) Filed: **Sep. 27, 2016**

(80) **Hague Agreement Data**

Int. Filing Date: **Sep. 27, 2016**

Int. Reg. No.: **DM/095382**

Int. Reg. Date: **Sep. 27, 2016**

Int. Reg. Pub. Date: **Mar. 31, 2017**

(51) **LOC (11) Cl.** ..... **08-05**

(52) **U.S. Cl.**  
USPC ..... **D8/73**

(58) **Field of Classification Search**  
USPC ..... D8/71-75, 394; D24/143

(Continued)

(56) **References Cited**

**U.S. PATENT DOCUMENTS**

D226,799 S \* 5/1973 Rumble ..... D8/394

D226,801 S \* 5/1973 Rumble ..... D8/394

(Continued)

*Primary Examiner* — Manpreet S Matharu

*Assistant Examiner* — Eliza Z Bennett-Hattan

(74) *Attorney, Agent, or Firm* — Nexsen Pruet, LLC;  
Michael A. Mann

(57) **CLAIM**

The ornamental design for the clamps, as shown and described.

**DESCRIPTION**

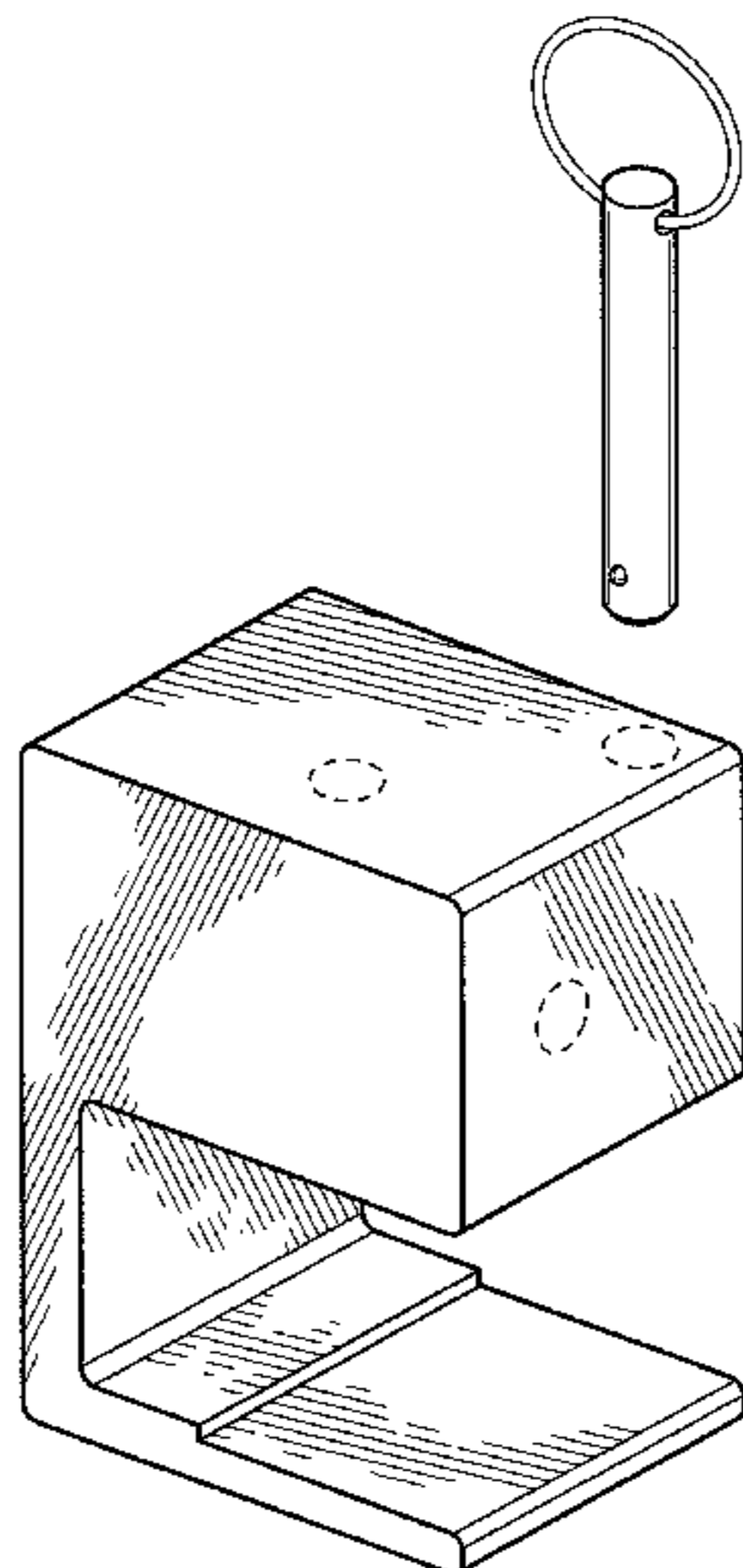
International Registration No. DM/095 382, registered 27 Sep. 2016.

FIG. 1.1 is an exploded perspective view of a clamp, according to a first embodiment of our design; FIG. 1.2 is a perspective view of the clamp of FIG. 1.1, according to a first embodiment our design; FIG. 1.3 is left side view of the clamp of FIG. 1.1, according to a first embodiment our design; FIG. 1.4 is right side view of the clamp of FIG. 1.1, according to a first embodiment of our design; FIG. 1.5 is a front view of the clamp of FIG. 1.1, according to a first embodiment of our design; FIG. 1.6 is a back view of the clamp of FIG. 1.1, according to a first embodiment of my design; FIG. 1.7 is a top view of the clamp of FIG. 1.1, according to a first embodiment of my design; FIG. 1.8 is a bottom view of the clamp of FIG. 1.1, according to a first embodiment of our design; FIG. 2.1 is an exploded perspective view of a clamp, according to a second embodiment of our design; FIG. 2.2 is a perspective view of the clamp of FIG. 2.1, according to a second embodiment of our design; FIG. 2.3 is a left side view of the clamp of FIG. 2.1, according to a second embodiment of our design; FIG. 2.4 is a right side view of the clamp of FIG. 2.1, according to a second embodiment of our design; FIG. 2.5 is a front view of the clamp of FIG. 2.1, according to a second embodiment of our design; FIG. 2.6 is a back view of the clamp of FIG. 2.1, according to a second embodiment of our design; FIG. 2.7 is a top view of the clamp of FIG. 2.1, according to a second embodiment of our design; and, FIG. 2.8 is a bottom view of the clamp of FIG. 2.1, according to a second embodiment of our design.

The clamp in views 1.1-1.8 is used to secure a pontoon rope to a square member; the clamp includes a c-shaped member and a pin with a spring detent and finger pull; the clamp in views 2.1-2.8 is used to secure a flag pole to a square member and is otherwise similar to the clamp in views 1.1-1.8.

The portions of the clamps shown in broken lines form no part of the claimed design.

**1 Claim, 12 Drawing Sheets**



(58) **Field of Classification Search**

CPC ..... F16G 11/14; F16G 11/044; Y10T 24/39;  
Y10T 24/3958; Y10T 16/665; Y10T  
70/411; Y10T 24/142; Y10T 24/44598;  
Y10T 24/14; E04H 12/32; A61M 39/284;  
A61M 39/28

See application file for complete search history.

(56) **References Cited**

U.S. PATENT DOCUMENTS

D230,727 S \* 3/1974 Richman ..... D24/129  
D314,503 S \* 2/1991 Gilman ..... D8/394  
D616,276 S \* 5/2010 Friegang ..... D8/72  
D629,679 S \* 12/2010 Riddell ..... D8/394  
D793,851 S \* 8/2017 Mann ..... D8/394

\* cited by examiner

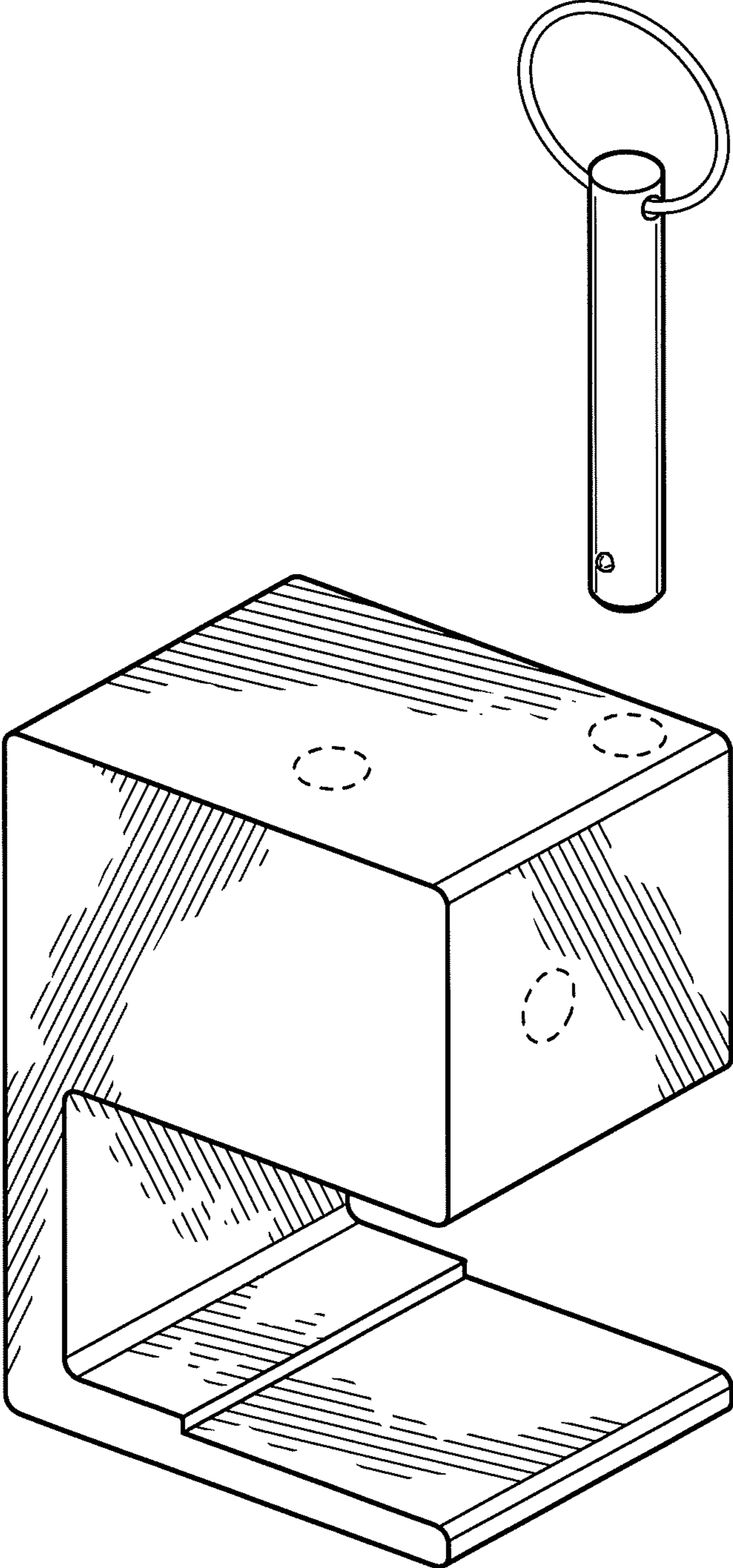


FIG.1.1

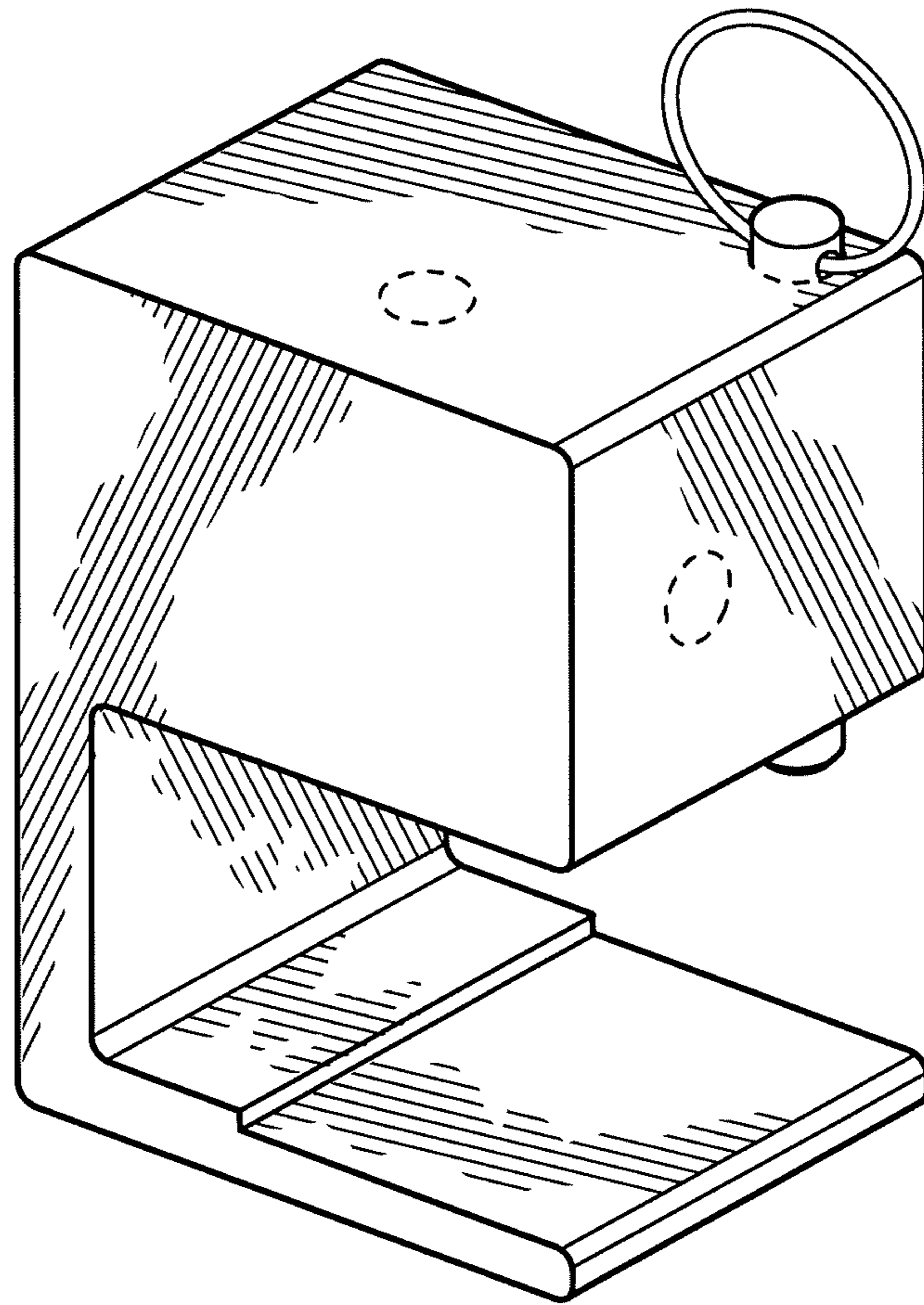


FIG.1.2

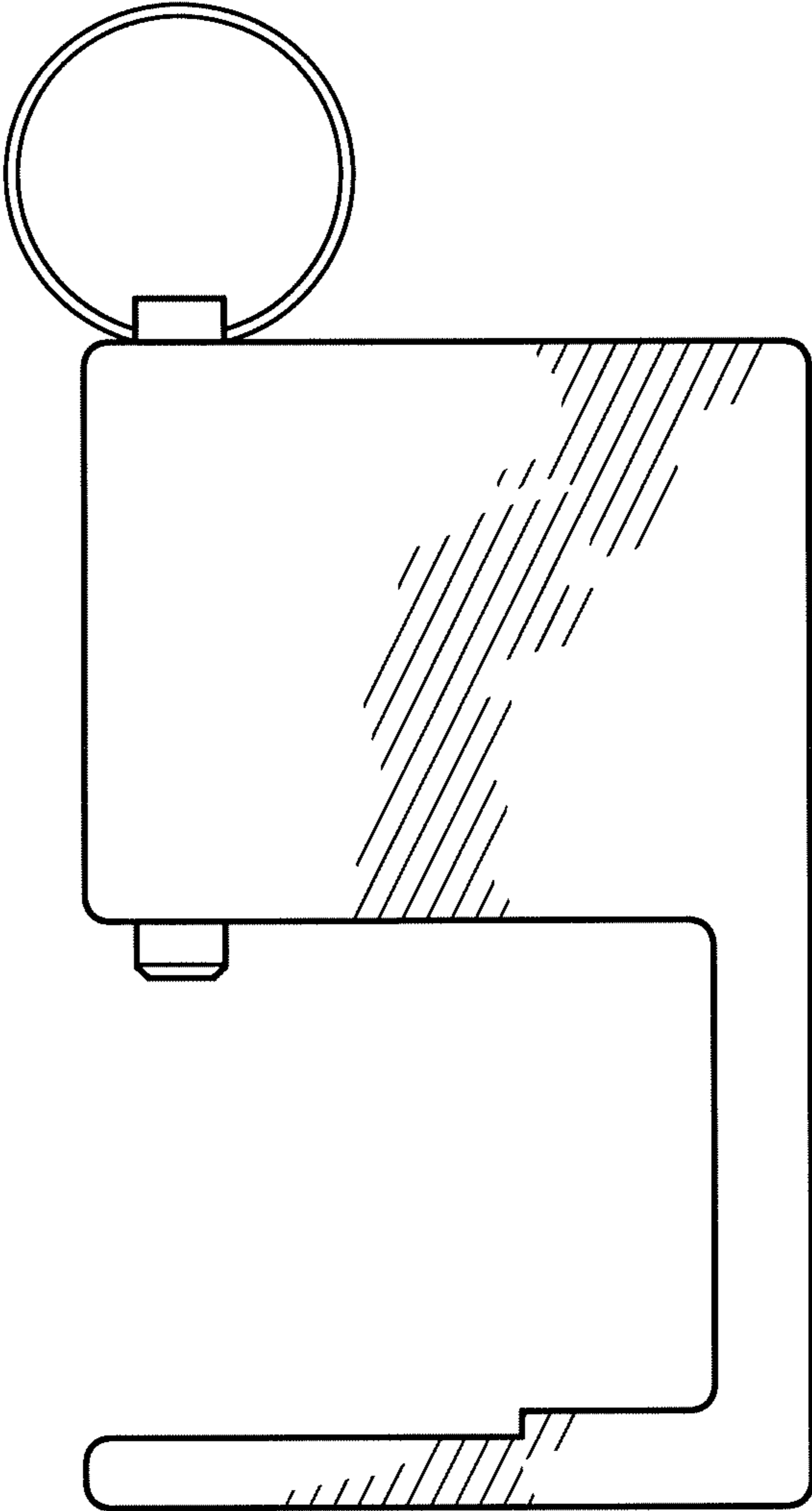


FIG.1.3



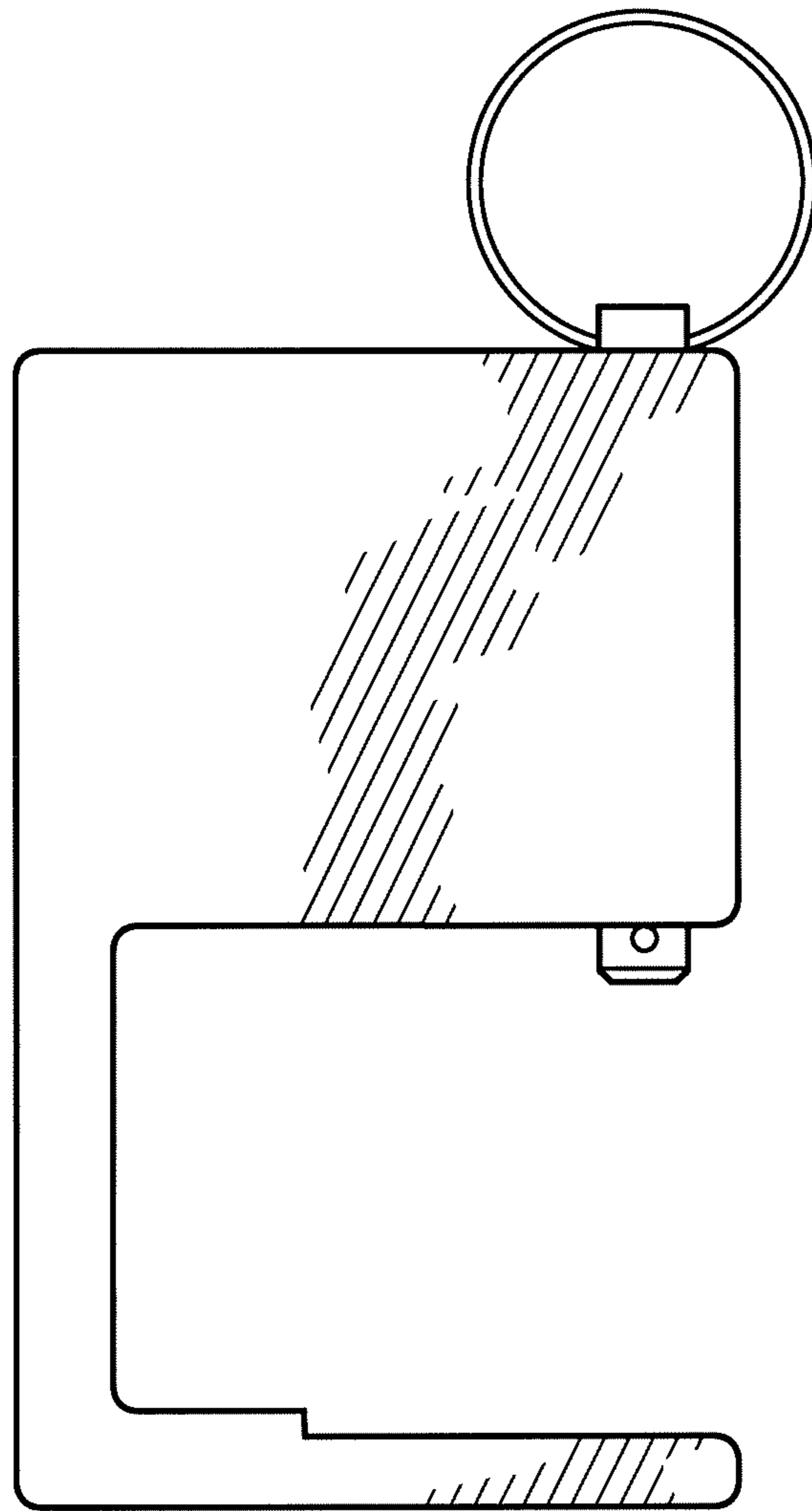


FIG.1.4

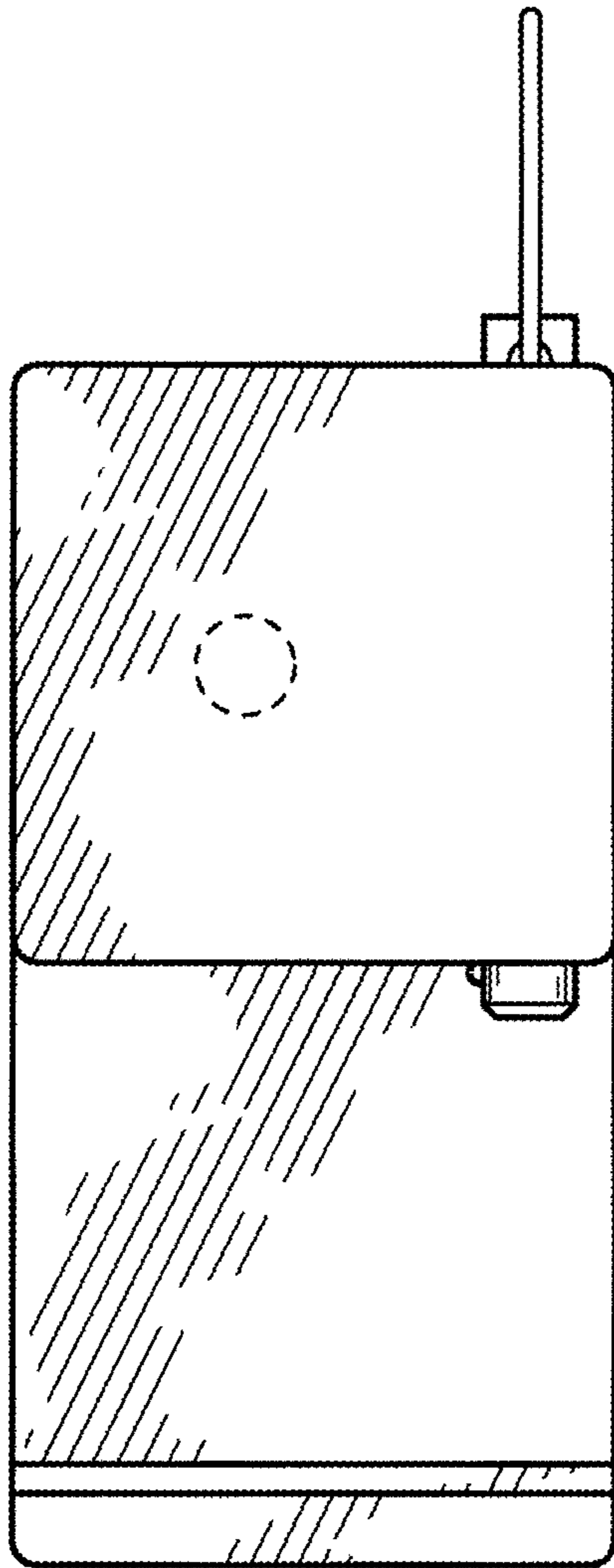


FIG.1.5

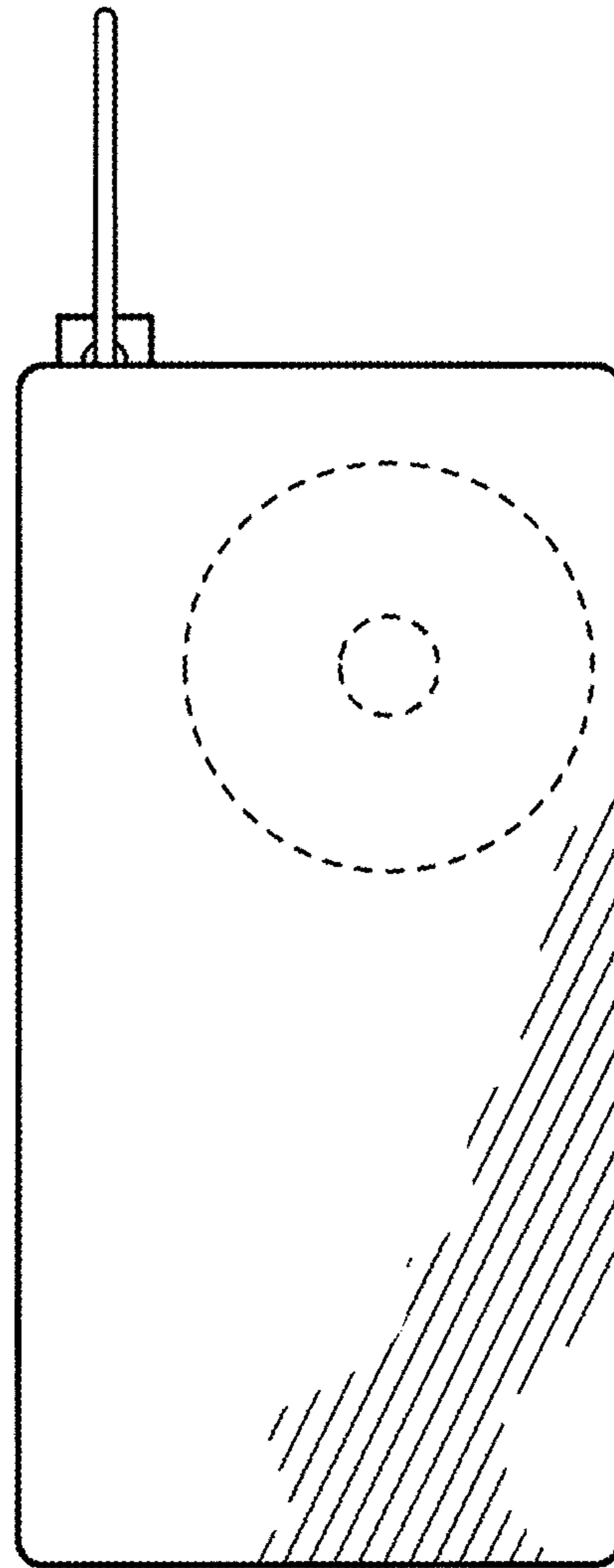


FIG.1.6

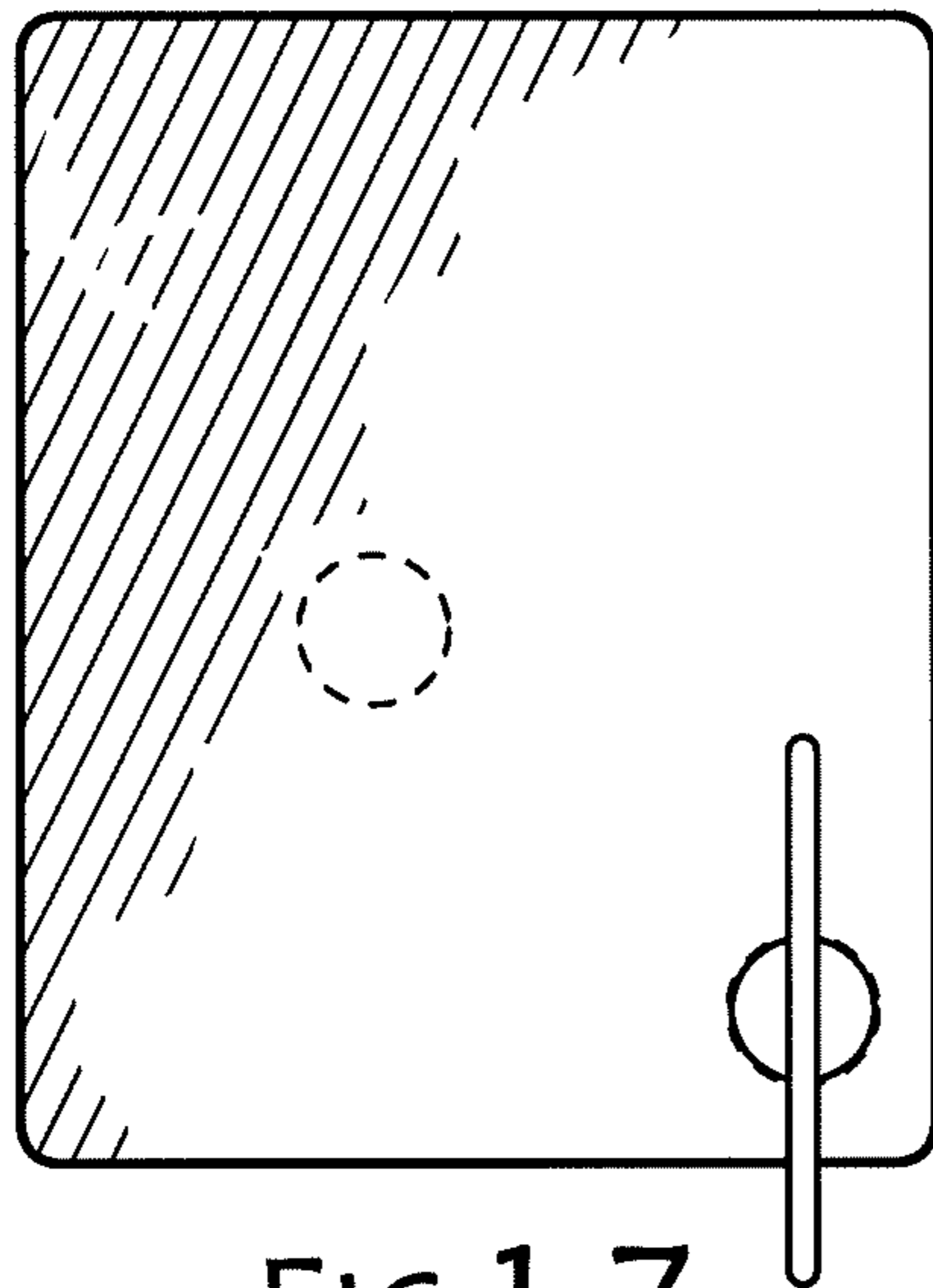


FIG.1.7

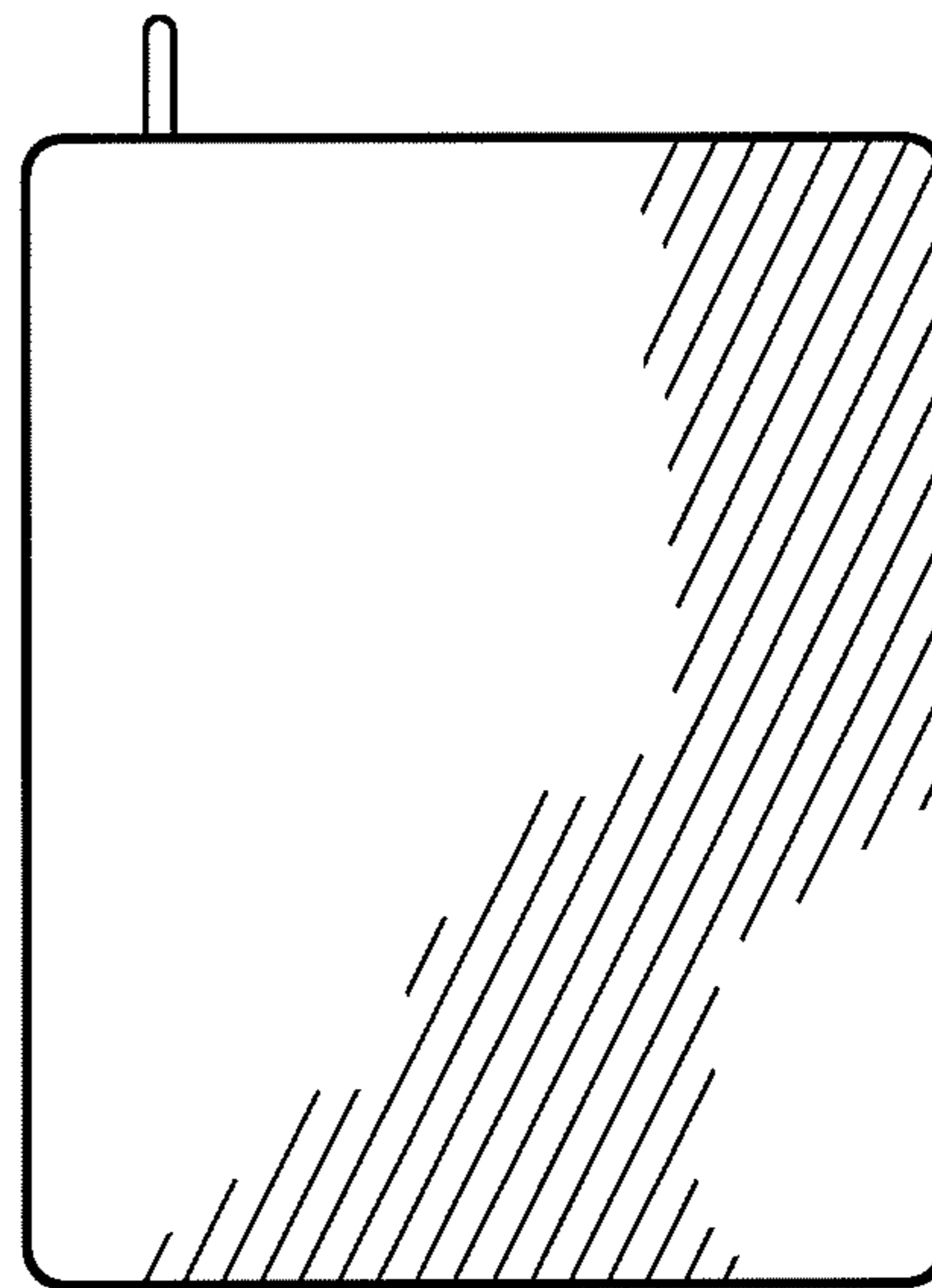


FIG.1.8



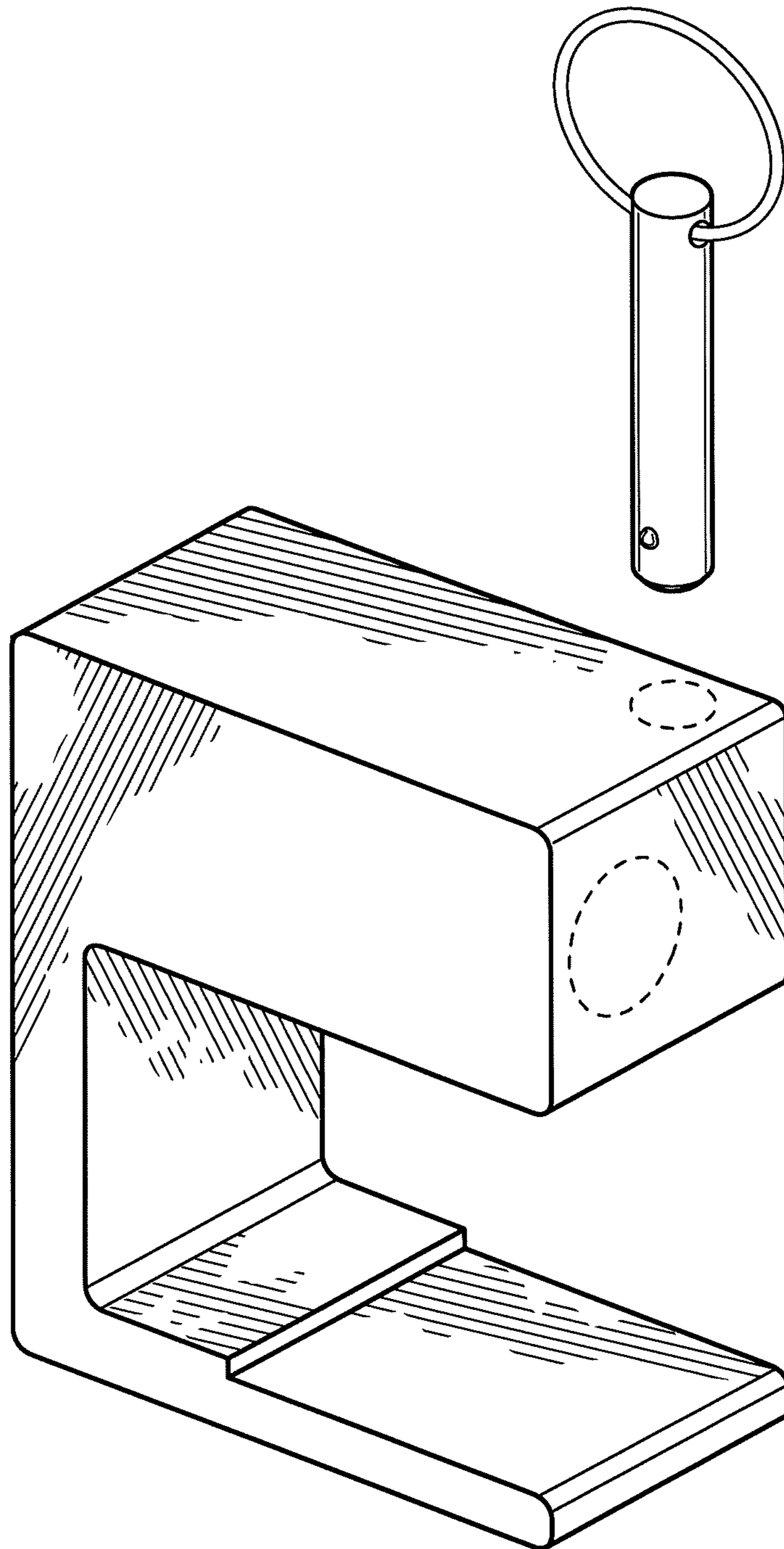


FIG.2.1

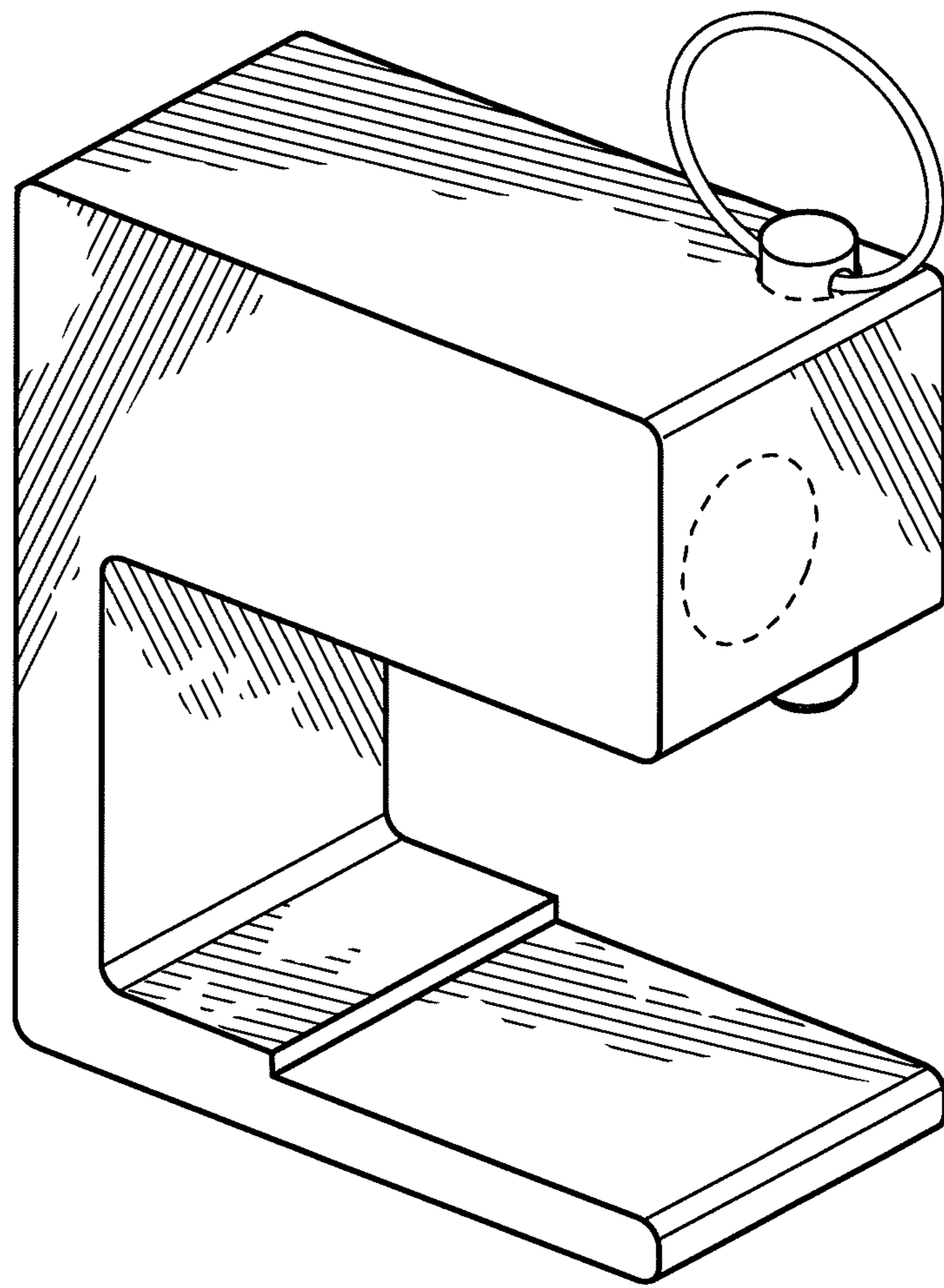


FIG.2.2

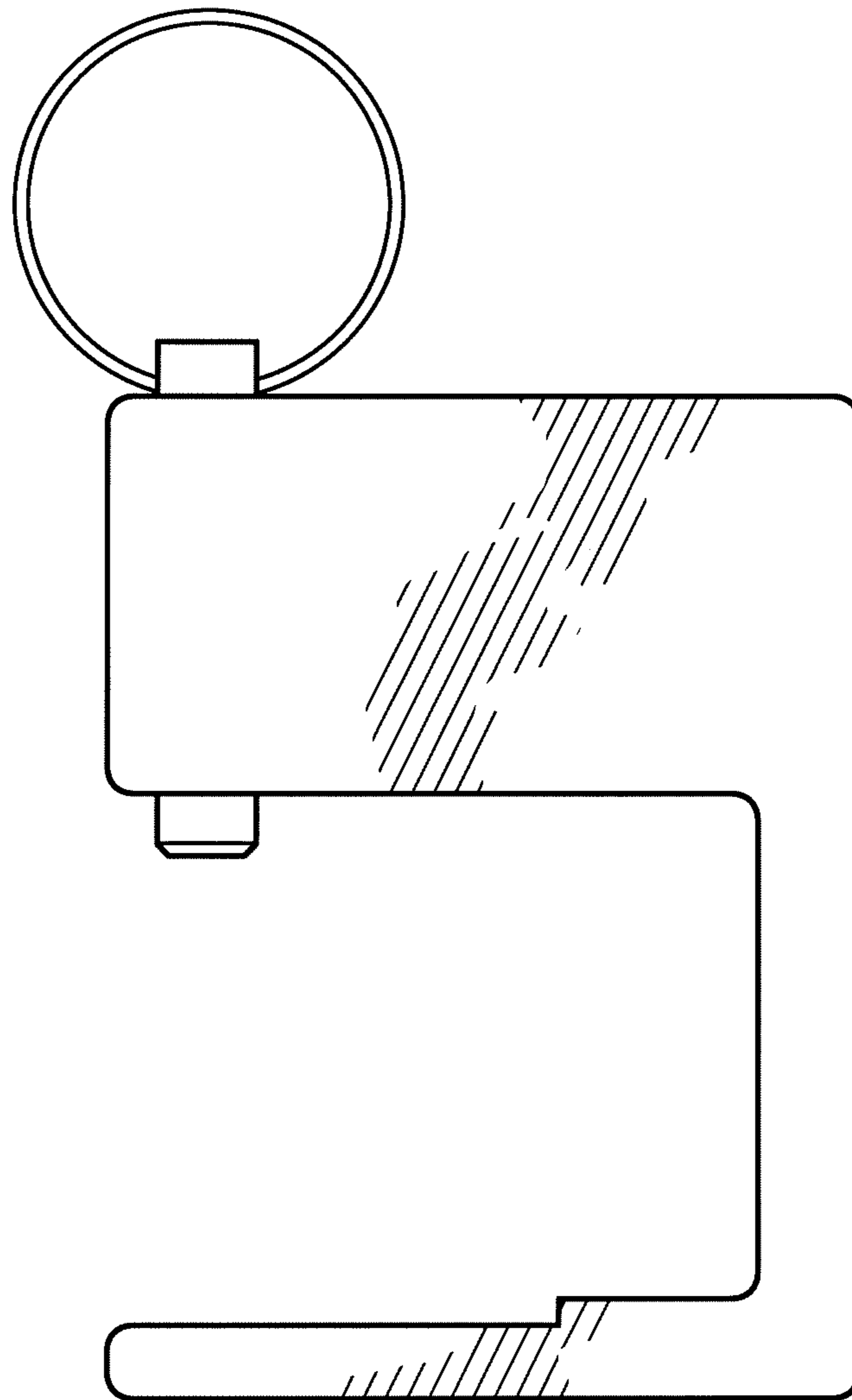


FIG.2.3

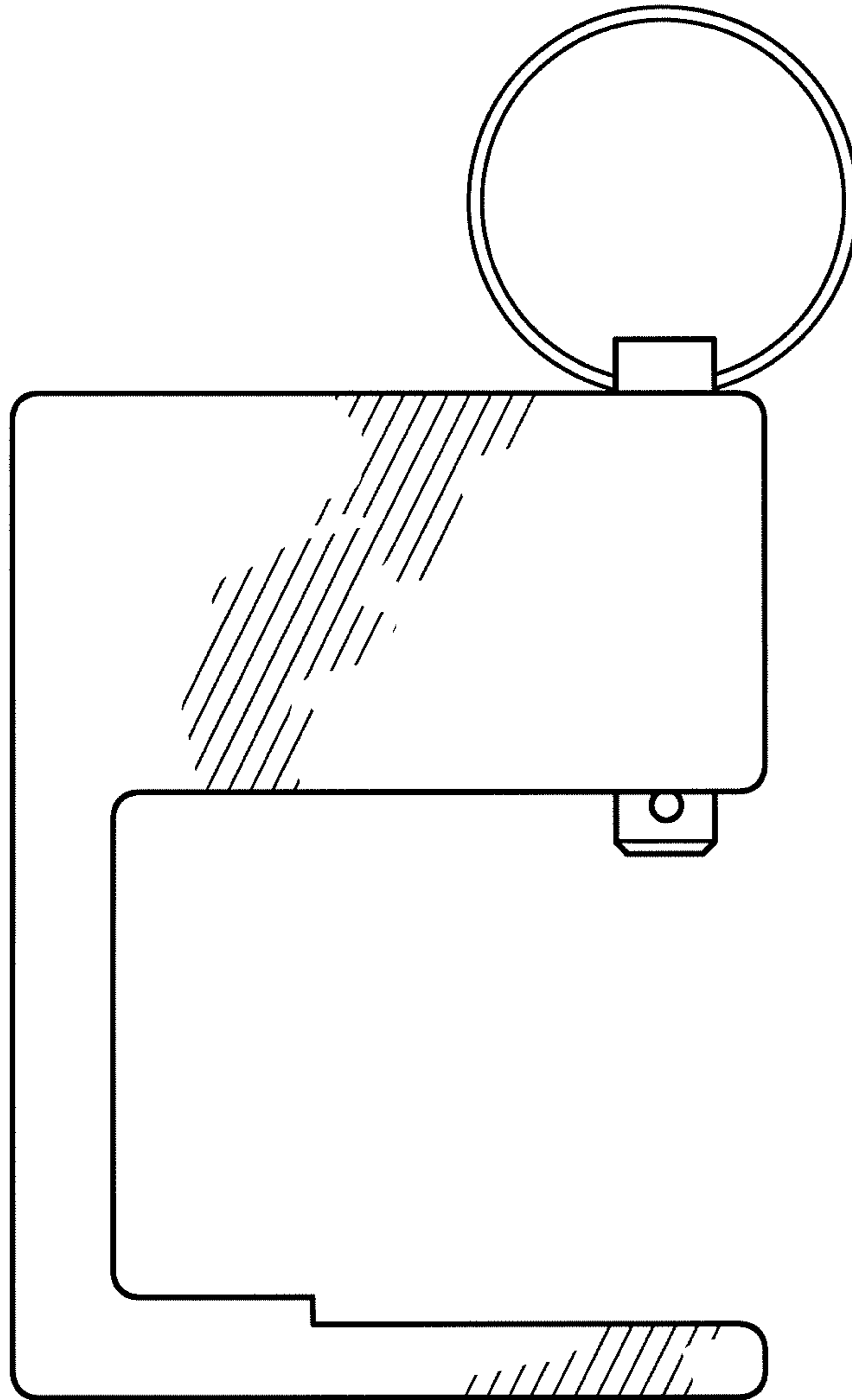


FIG. 2.4

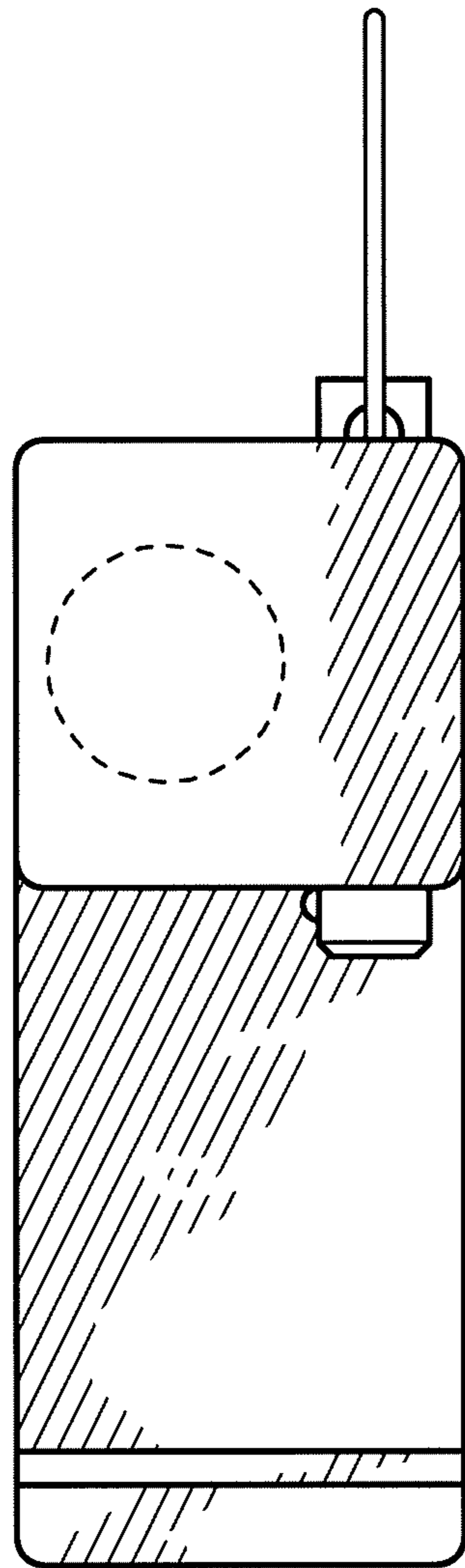


FIG. 2.5

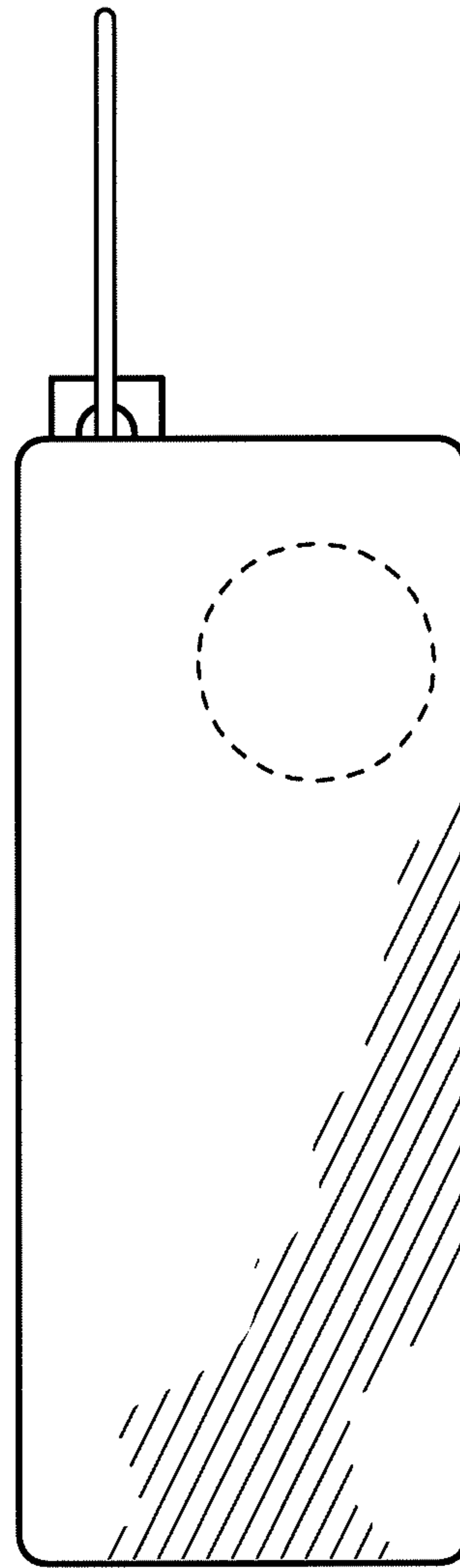


FIG. 2.6

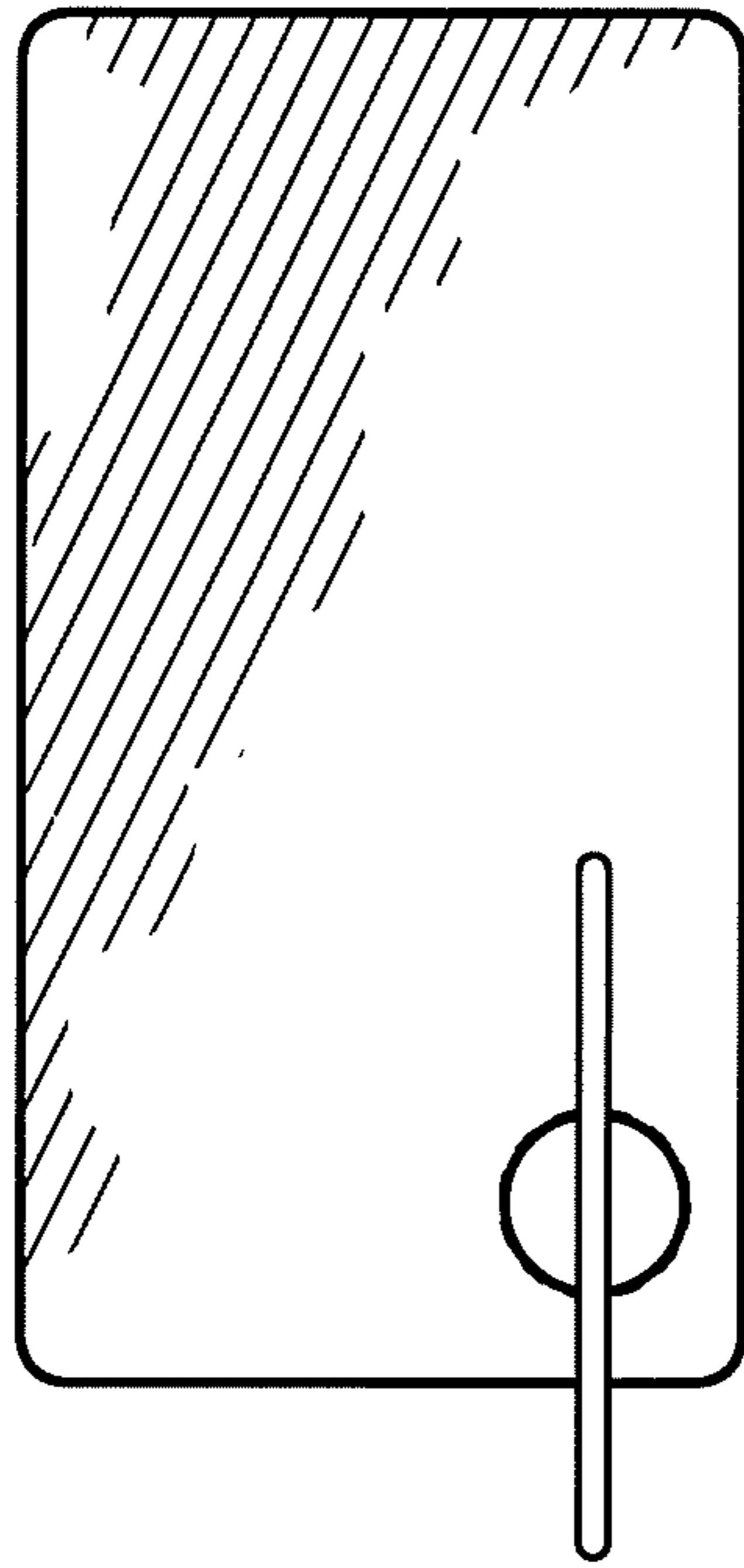


FIG. 2.7

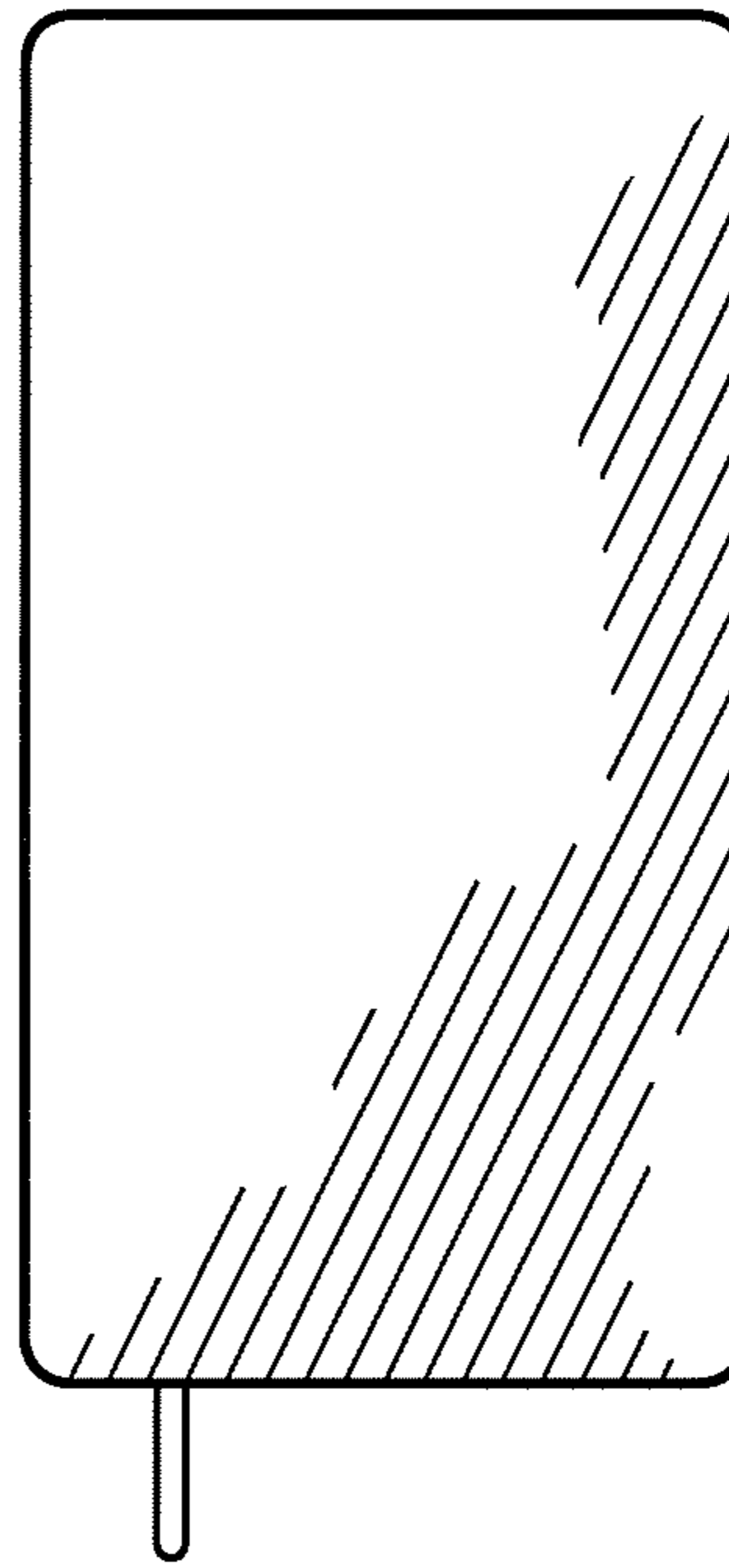


FIG. 2.8