



US00D820061S

(12) **United States Design Patent**
Ronan

(10) **Patent No.:** **US D820,061 S**

(45) **Date of Patent:** **** Jun. 12, 2018**

(54) **PIPE AND ROPE CUTTER**

(71) Applicant: **John Stanley Ronan**, Temecula, CA
(US)

(72) Inventor: **John Stanley Ronan**, Temecula, CA
(US)

(**) Term: **15 Years**

(21) Appl. No.: **29/608,597**

(22) Filed: **Jun. 22, 2017**

(51) **LOC (11) Cl.** **08-05**

(52) **U.S. Cl.**
USPC **D8/55; D8/60**

(58) **Field of Classification Search**
USPC D8/51-60, 107
CPC B26B 17/00; B26B 13/00; B26B 13/04;
B26B 13/06; B26D 3/169; B26D 7/27
See application file for complete search history.

(56) **References Cited**

U.S. PATENT DOCUMENTS

- 2,874,465 A * 2/1959 Sillak B23D 29/023
30/250
- D269,152 S * 5/1983 Nakamura D8/52
- D276,496 S * 11/1984 Yokoyama D8/52
- D412,095 S * 7/1999 Tally D8/60
- D455,329 S * 4/2002 Renner D8/5
- 8,327,548 B2 * 12/2012 Ronan B26B 17/00
30/175
- D679,564 S * 4/2013 Hong D8/60
- D690,176 S * 9/2013 Ronan D8/52
- D691,010 S * 10/2013 Ronan D8/52

- D796,288 S * 9/2017 Groten D8/60
- D796,289 S * 9/2017 Groten D8/60
- 2011/0185577 A1* 8/2011 Ronan B23D 21/10
30/92

* cited by examiner

Primary Examiner — Deanna L Pratt
(74) *Attorney, Agent, or Firm* — Quickpatents, LLC;
Kevin Prince

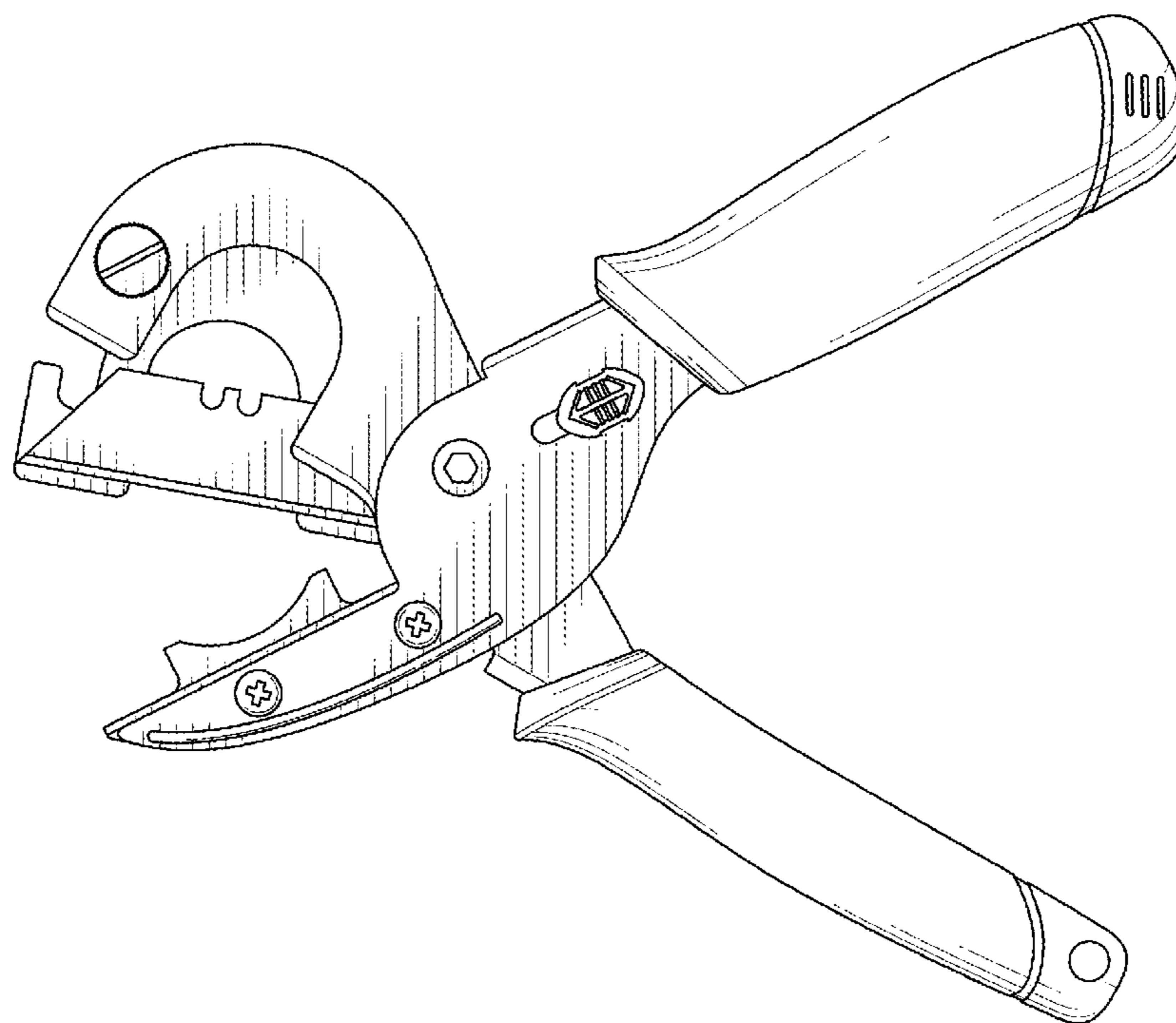
(57) **CLAIM**

I claim the ornamental design for a pipe and rope cutter, as shown and described.

DESCRIPTION

FIG. 1 is a left perspective view of a pipe and rope cutter, showing my new design in a closed configuration; FIG. 2 is a right perspective view of FIG. 1; FIG. 3 is a front elevational view of FIG. 1; FIG. 4 is a rear elevational view of FIG. 1; FIG. 5 is a right-side elevational view of FIG. 1; FIG. 6 is a left-side elevational view of FIG. 1; FIG. 7 is a top plan view of FIG. 1; FIG. 8 is a bottom plan view of FIG. 1; FIG. 9 is a perspective view thereof, illustrated in an open configuration; FIG. 10 is a right-side elevational view of FIG. 9; FIG. 11 is a left-side elevational view of FIG. 9; and, FIG. 12 is an exploded left-side elevational view of FIG. 9, further showing a blade holder in the handle in an open configuration.

1 Claim, 10 Drawing Sheets



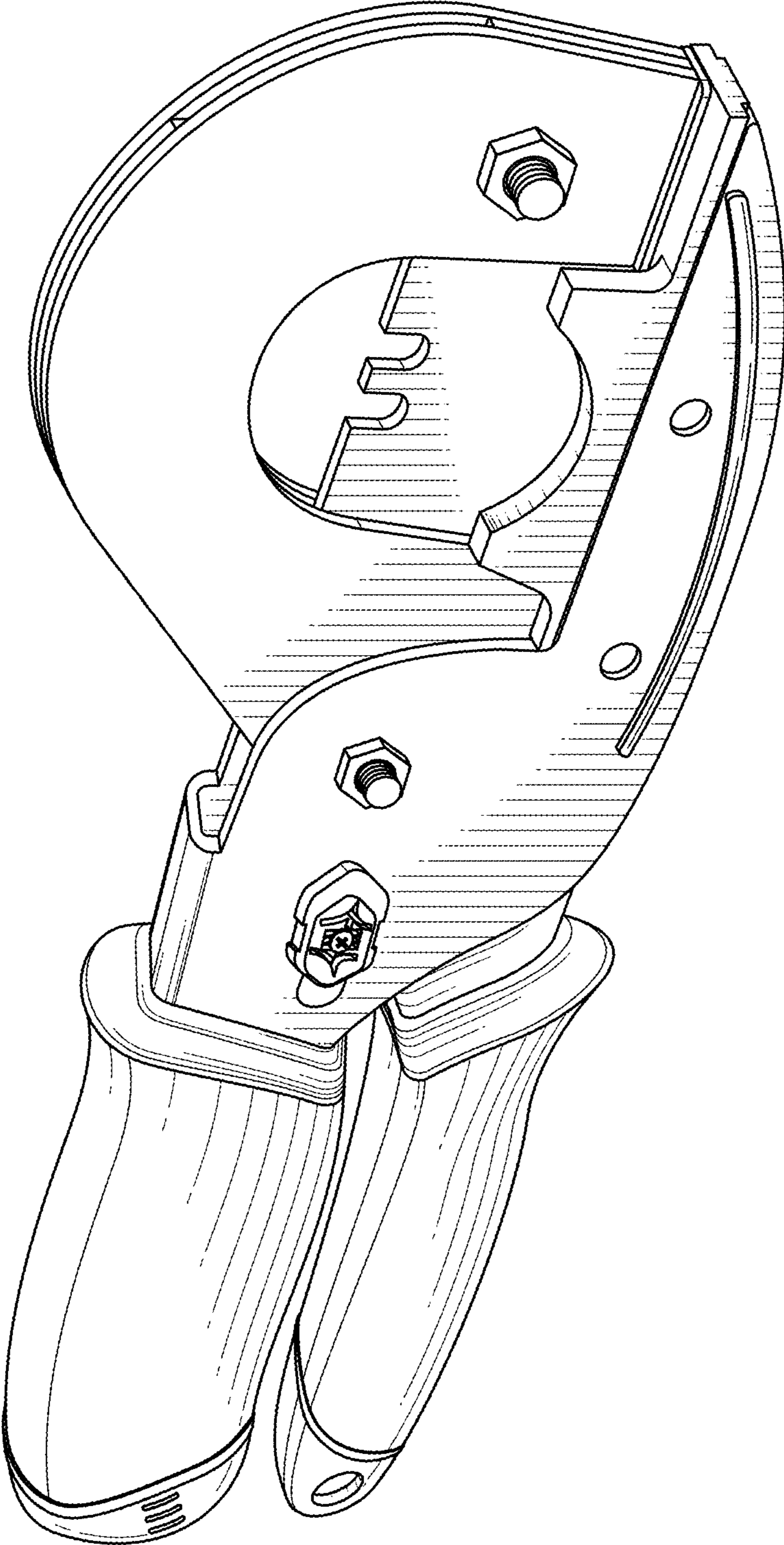


FIG. 1

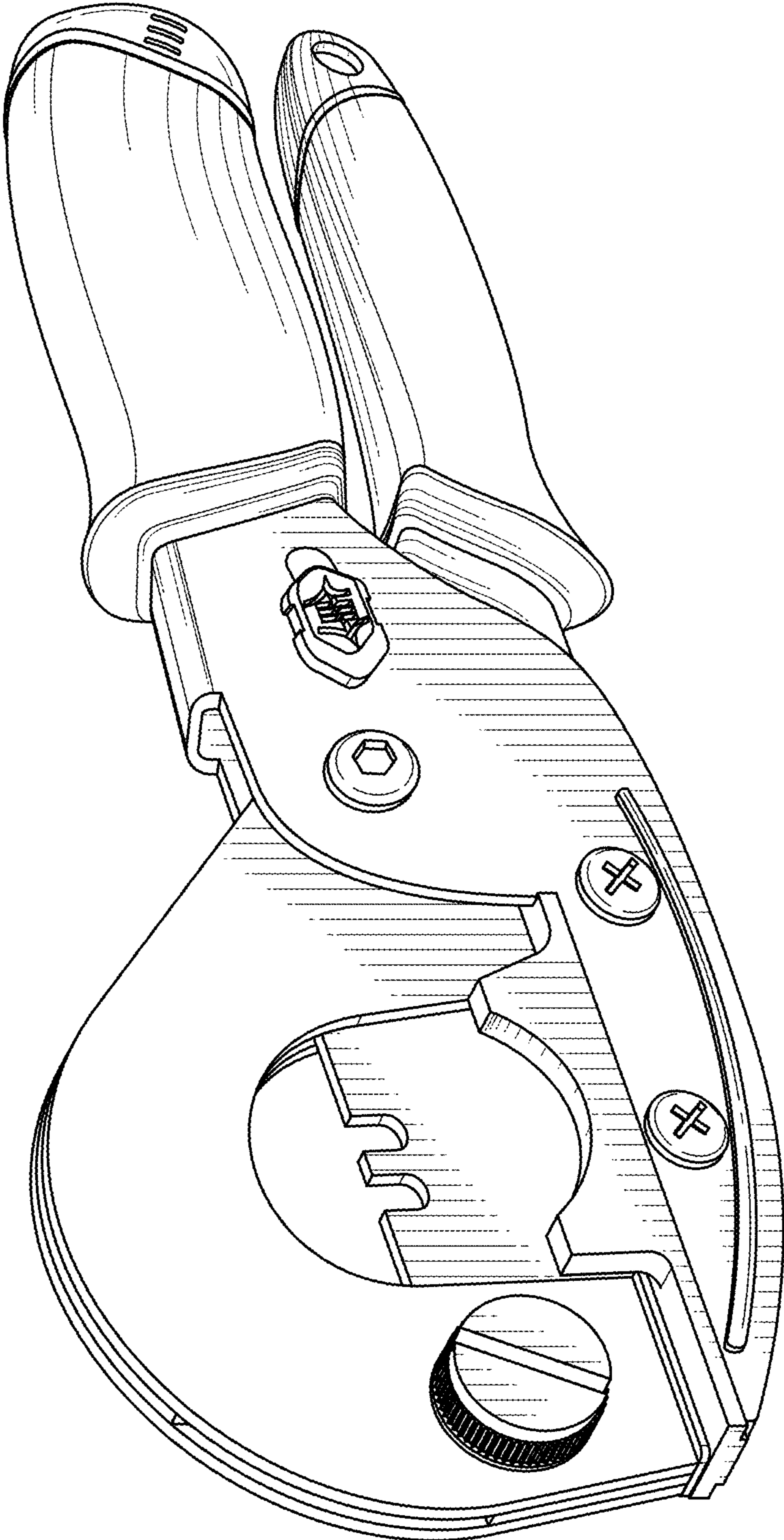


FIG. 2

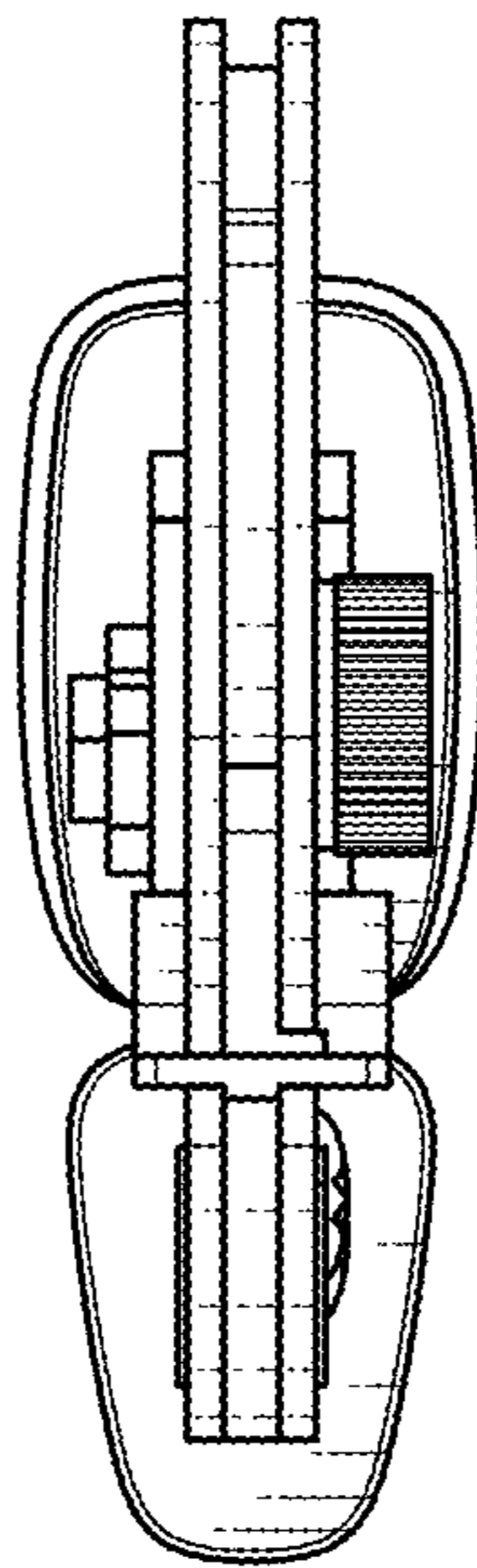


FIG. 3

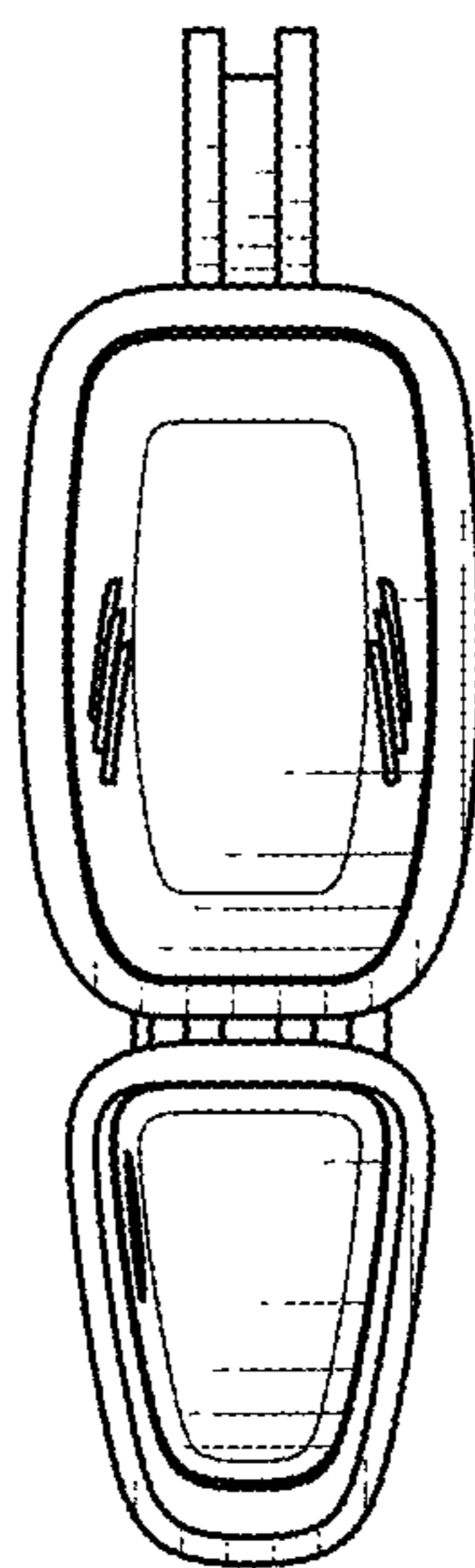


FIG. 4

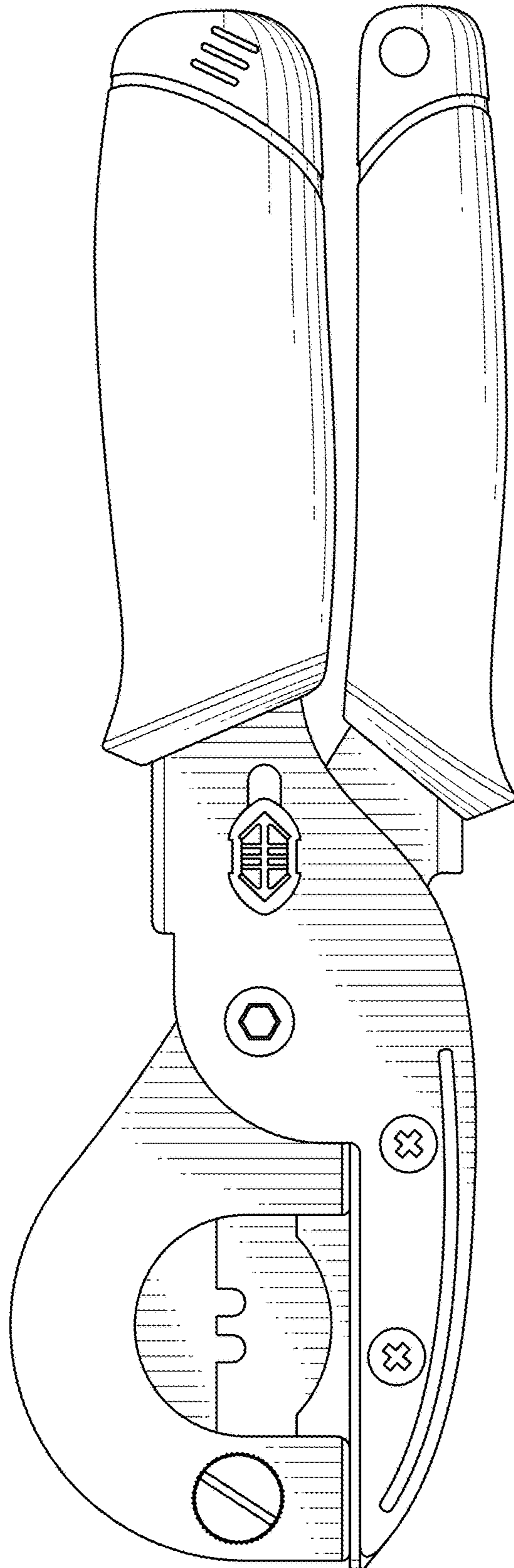


FIG. 5

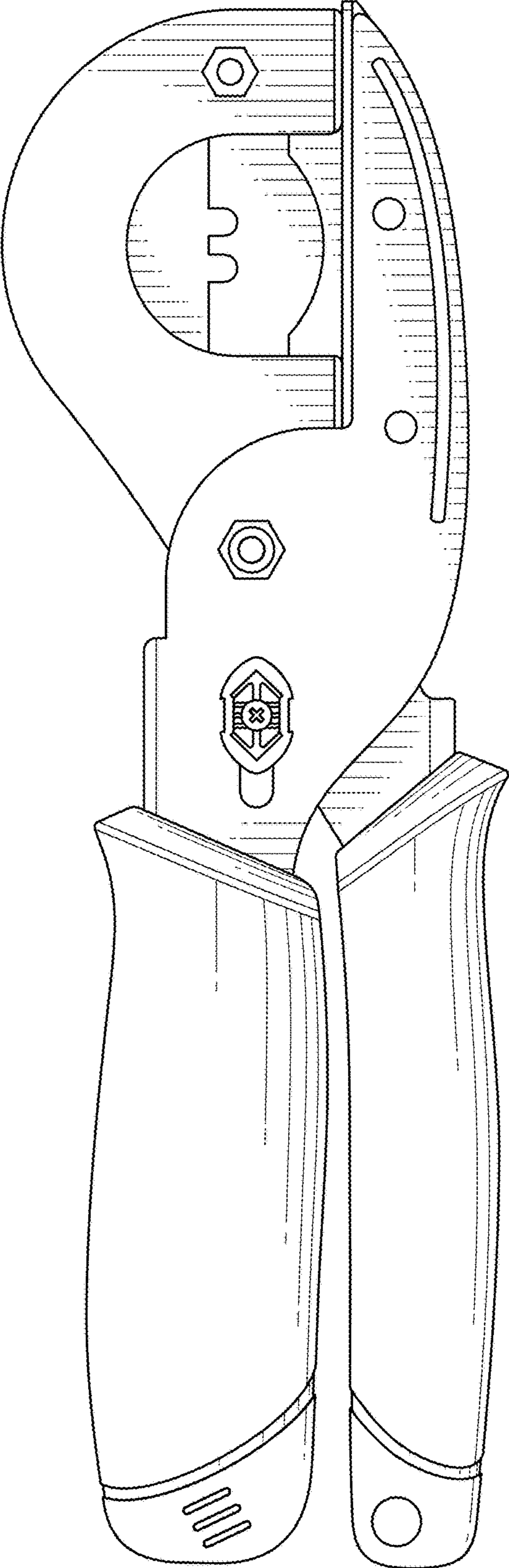


FIG. 6

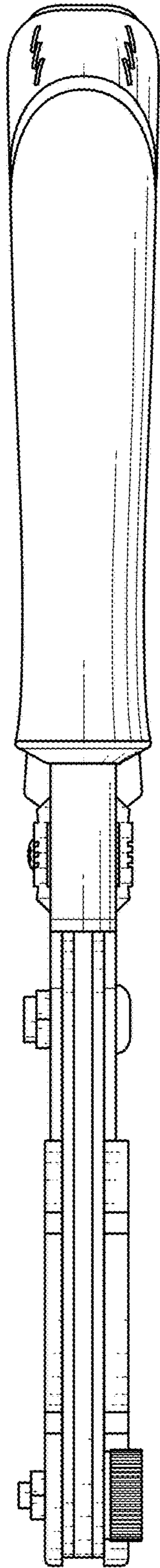


FIG. 7

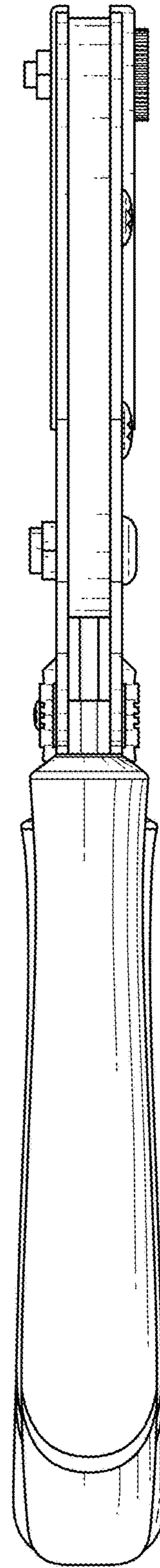


FIG. 8

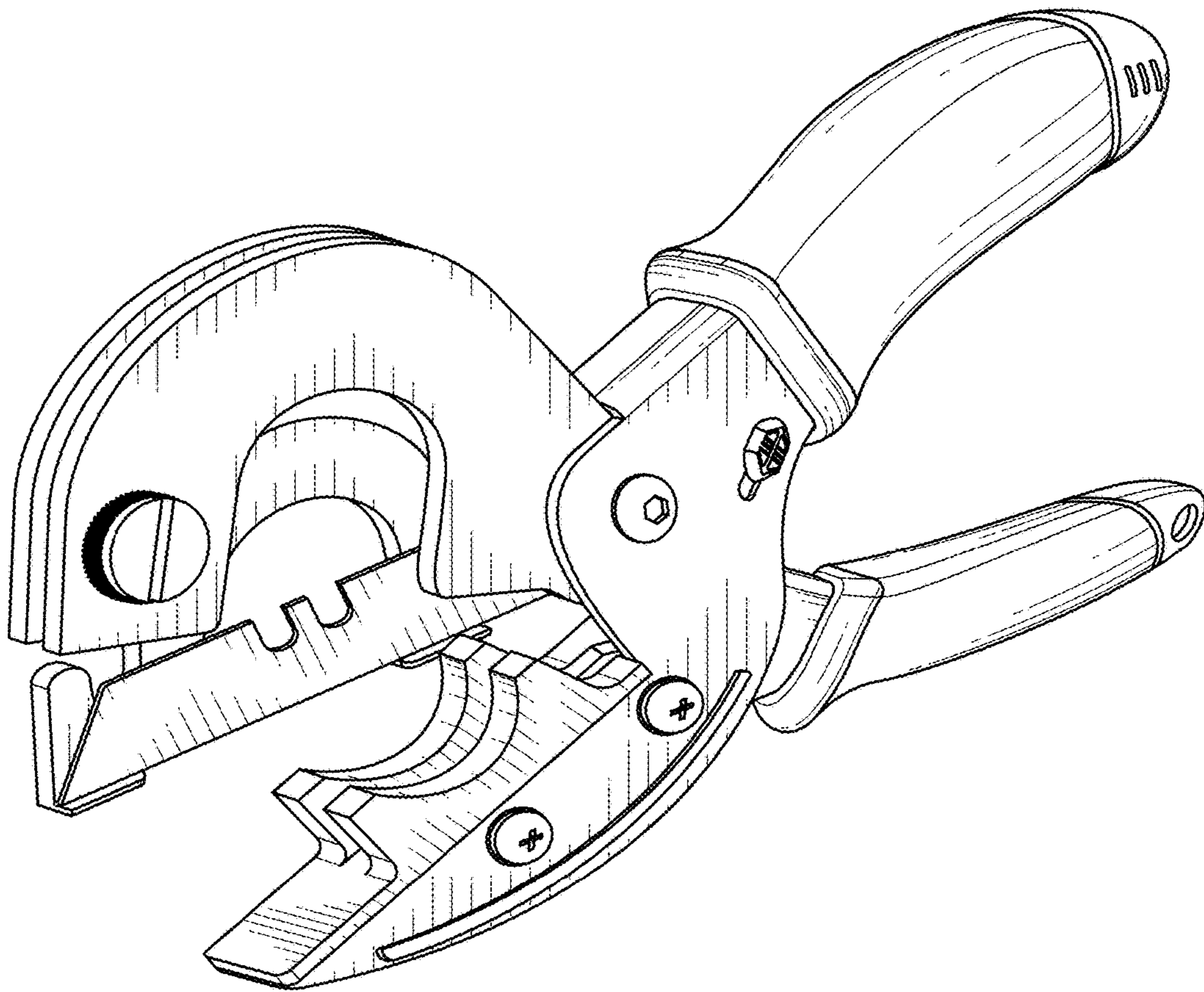


FIG. 9

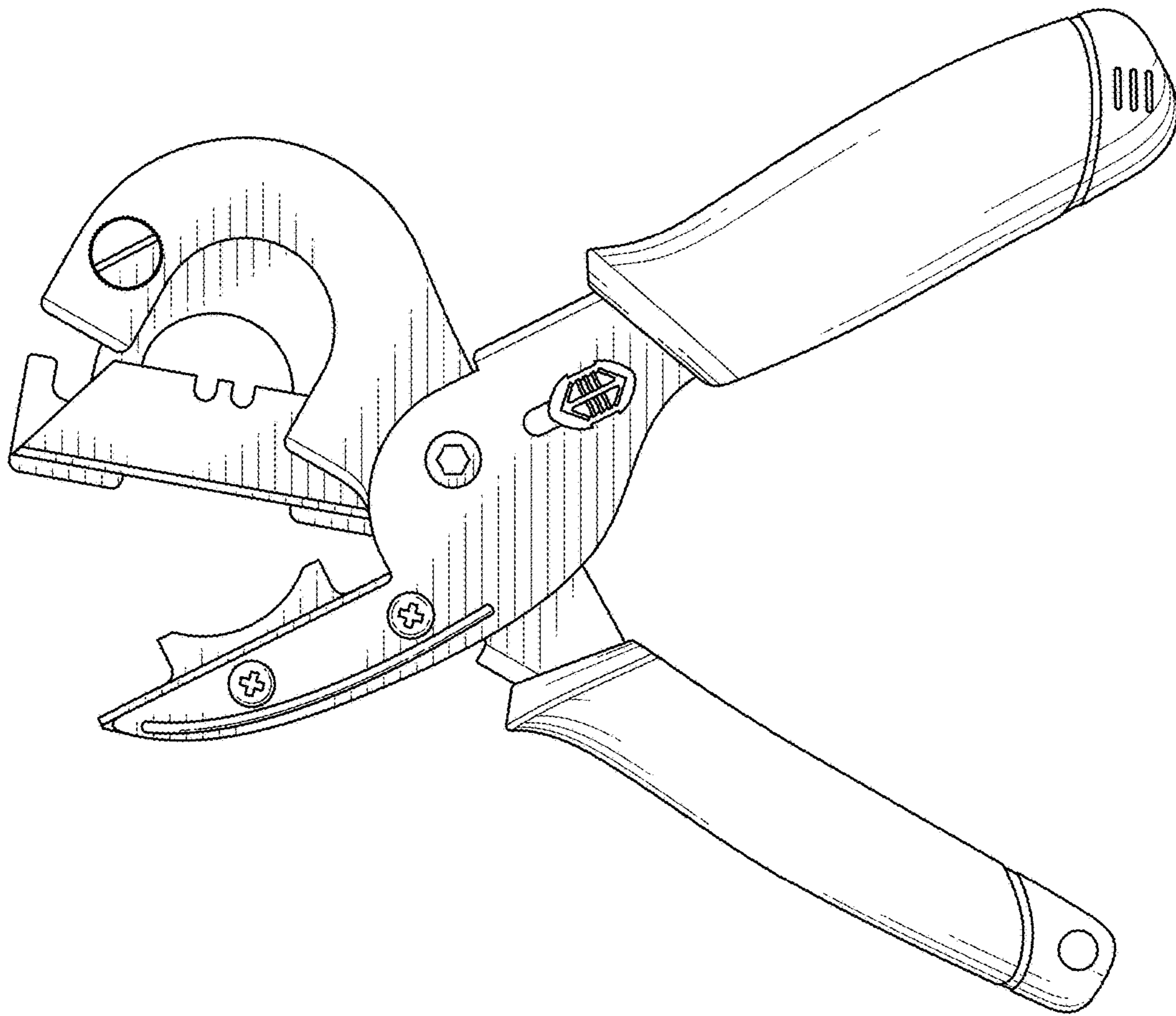


FIG. 10

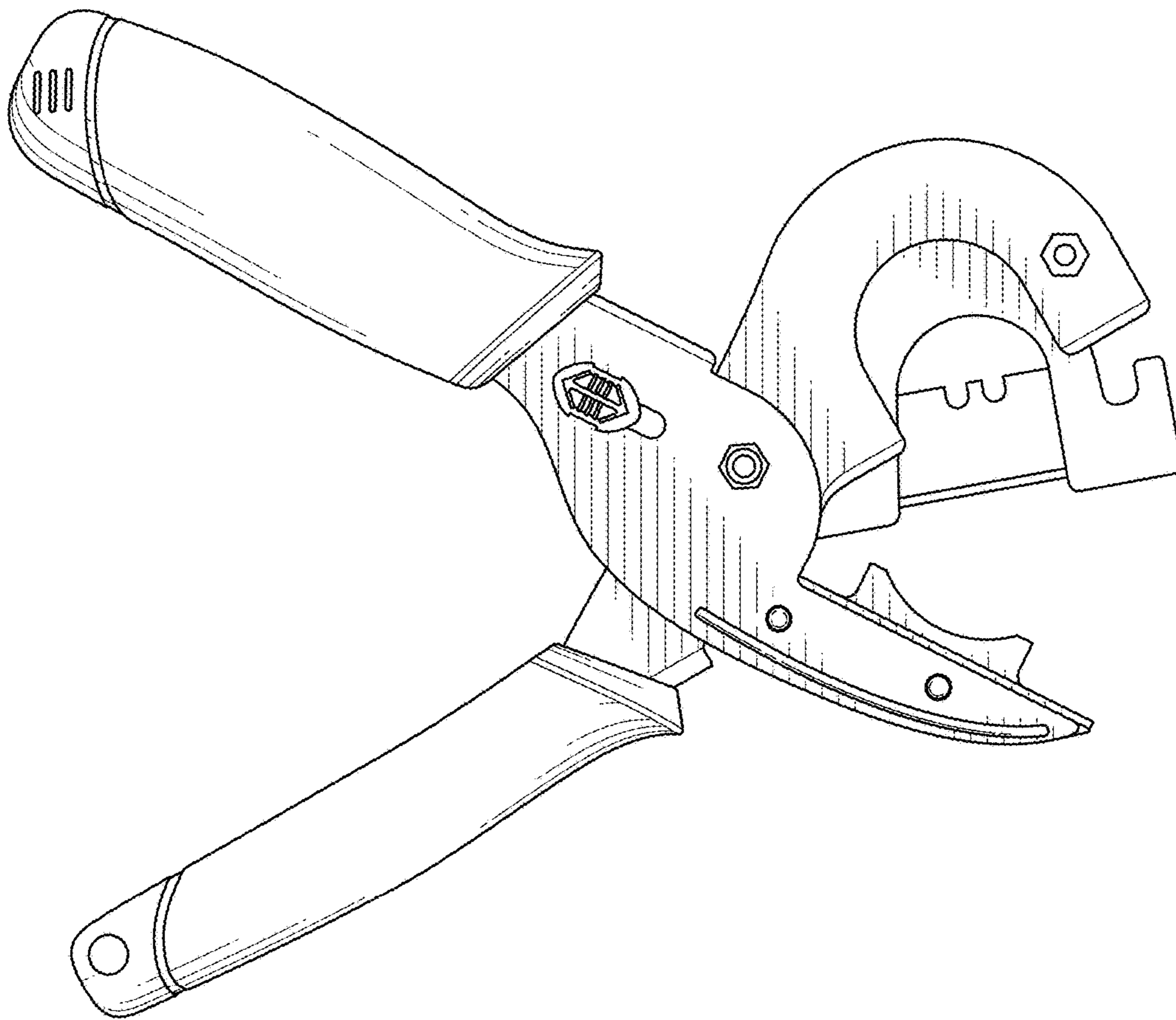


FIG. 11

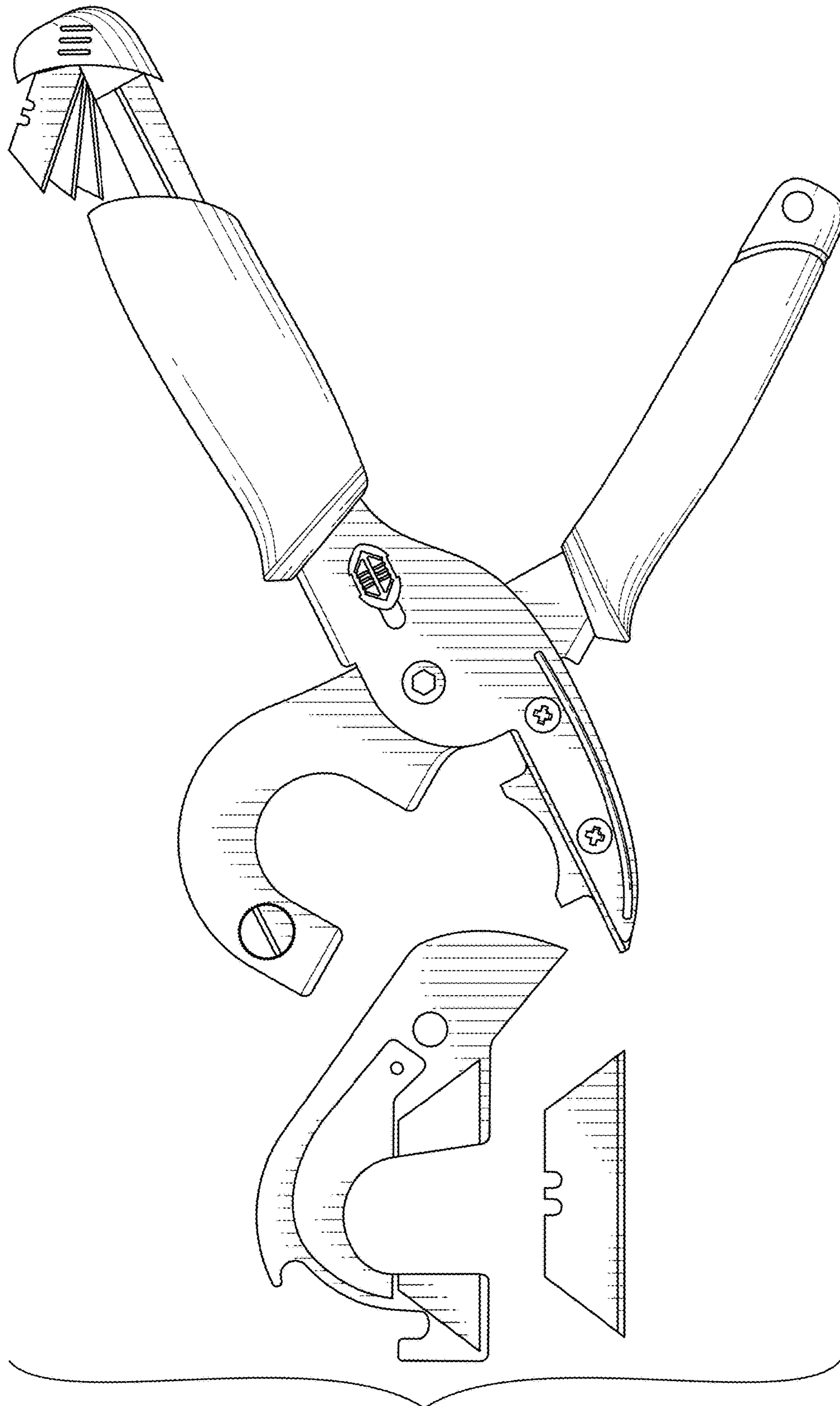


FIG. 12