



US00D820059S

(12) **United States Design Patent**
Biec

(10) **Patent No.:** **US D820,059 S**
(45) **Date of Patent:** **** Jun. 12, 2018**

(54) **CLIP**

(71) Applicant: **Edmund Biec**, Mississauga (CA)

(72) Inventor: **Edmund Biec**, Mississauga (CA)

(**) Term: **15 Years**

(21) Appl. No.: **29/569,813**

(22) Filed: **Jun. 30, 2016**

Related U.S. Application Data

(63) Continuation-in-part of application No. 14/720,054,
filed on May 22, 2015, now Pat. No. 9,534,403, and
(Continued)

(51) **LOC (11) Cl.** **08-05**

(52) **U.S. Cl.**
USPC **D8/47; D8/71**

(58) **Field of Classification Search**
USPC **D8/14, 47**
(Continued)

(56) **References Cited**

U.S. PATENT DOCUMENTS

3,328,065 A 6/1967 Arenson
3,836,118 A 9/1974 Meyer
(Continued)

FOREIGN PATENT DOCUMENTS

JP 2012167428 A 9/2012
WO 2011121476 A1 10/2011

Primary Examiner — Phillip S Hyder

(74) *Attorney, Agent, or Firm* — McCarter & English,
LLP

(57) **CLAIM**

The ornamental design for a clip, as shown and described.

DESCRIPTION

FIG. 1 is a perspective view of a first embodiment of a clip;
FIG. 2 is a bottom, left side perspective view of the clip of
FIG. 1;
FIG. 3 is a front view of the clip of FIG. 1;
FIG. 4 is a rear view of the clip of FIG. 1;
FIG. 5 is a top view of the clip of FIG. 1;
FIG. 6 is a bottom view of the clip of FIG. 1;
FIG. 7 is a right side view of the clip of FIG. 1; and
FIG. 8 is a left side view of the clip of FIG. 1;
FIG. 9 is a perspective view of a second embodiment of a
clip;
FIG. 10 is a bottom, left side perspective view of the clip of
FIG. 9;
FIG. 11 is a front view of the clip of FIG. 9;
FIG. 12 is a rear view of the clip of FIG. 9;
FIG. 13 is a top view of the clip of FIG. 9;
FIG. 14 is a bottom view of the clip of FIG. 9;
FIG. 15 is a right side view of the clip of FIG. 9; and
FIG. 16 is a left side view of the clip of FIG. 9;
FIG. 17 is a perspective view of a third embodiment of a
clip;
FIG. 18 is a bottom, left side perspective view of the clip of
FIG. 17;
FIG. 19 is a front view of the clip of FIG. 17;
FIG. 20 is a rear view of the clip of FIG. 17;
FIG. 21 is a top view of the clip of FIG. 17;
FIG. 22 is a bottom view of the clip of FIG. 17;
FIG. 23 is a right side view of the clip of FIG. 17; and
FIG. 24 is a left side view of the clip of FIG. 17;
FIG. 25 is a perspective view of a fourth embodiment of a
clip;
FIG. 26 is a bottom, left side perspective view of the clip of
FIG. 25;
FIG. 27 is a front view of the clip of FIG. 25;
FIG. 28 is a rear view of the clip of FIG. 25;
FIG. 29 is a top view of the clip of FIG. 25;
FIG. 30 is a bottom view of the clip of FIG. 25;
FIG. 31 is a right side view of the clip of FIG. 25; and
FIG. 32 is a left side view of the clip of FIG. 25;
FIG. 33 is a perspective view of a fifth embodiment of a clip;
FIG. 34 is a bottom, left side perspective view of the clip of
FIG. 33;
FIG. 35 is a front view of the clip of FIG. 33;
FIG. 36 is a rear view of the clip of FIG. 33;

(Continued)

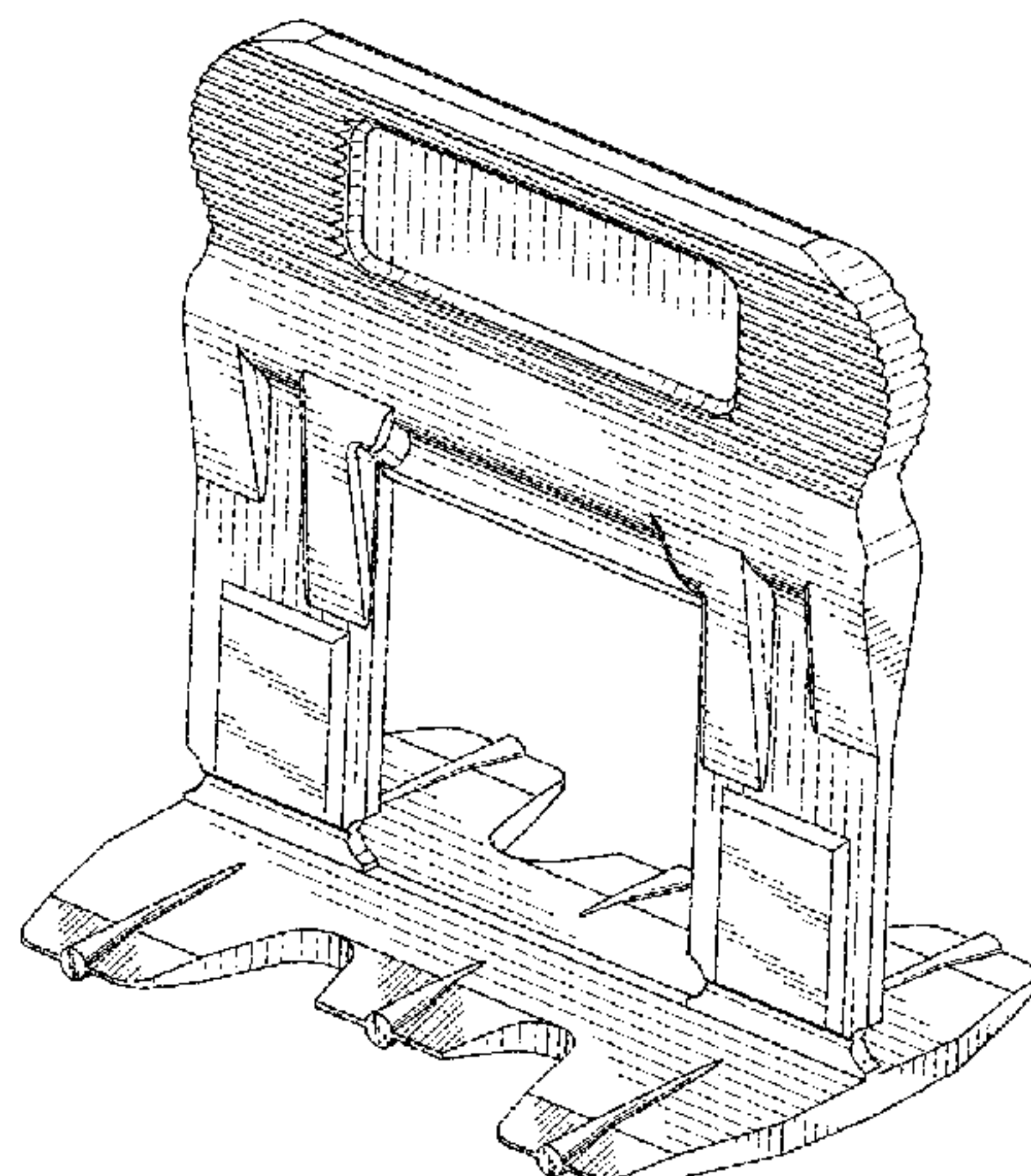


FIG. 37 is a top view of the clip of FIG. 33;
 FIG. 38 is a bottom view of the clip of FIG. 33;
 FIG. 39 is a right side view of the clip of FIG. 33; and
 FIG. 40 is a left side view of the clip of FIG. 33;
 FIG. 41 is a perspective view of a sixth embodiment of a clip;
 FIG. 42 is a bottom, left side perspective view of the clip of FIG. 41;
 FIG. 43 is a front view of the clip of FIG. 41;
 FIG. 44 is a rear view of the clip of FIG. 41;
 FIG. 45 is a top view of the clip of FIG. 41;
 FIG. 46 is a bottom view of the clip of FIG. 41;
 FIG. 47 is a right side view of the clip of FIG. 41; and
 FIG. 48 is a left side view of the clip of FIG. 41;
 FIG. 49 is a perspective view of a seventh embodiment of a clip;
 FIG. 50 is a bottom, left side perspective view of the clip of FIG. 49;
 FIG. 51 is a front view of the clip of FIG. 49;
 FIG. 52 is a rear view of the clip of FIG. 49;
 FIG. 53 is a top view of the clip of FIG. 49;
 FIG. 54 is a bottom view of the clip of FIG. 49;
 FIG. 55 is a right side view of the clip of FIG. 49; and
 FIG. 56 is a left side view of the clip of FIG. 49;
 FIG. 57 is a perspective view of a eighth embodiment of a clip;
 FIG. 58 is a bottom, left side perspective view of the clip of FIG. 57;
 FIG. 59 is a front view of the clip of FIG. 57;
 FIG. 60 is a rear view of the clip of FIG. 57;
 FIG. 61 is a top view of the clip of FIG. 57;
 FIG. 62 is a bottom view of the clip of FIG. 57;

FIG. 63 is a right side view of the clip of FIG. 57; and,
 FIG. 64 is a left side view of the clip of FIG. 57.

1 Claim, 32 Drawing Sheets

Related U.S. Application Data

a continuation-in-part of application No. 29/524,572, filed on Apr. 21, 2015, now Pat. No. Des. 760,566, and a continuation-in-part of application No. PCT/CA2015/050323, filed on Apr. 17, 2015.

(58) **Field of Classification Search**

CPC . E04F 21/00; E04F 21/18; E04F 21/22; E04F 21/1877

See application file for complete search history.

(56) **References Cited**

U.S. PATENT DOCUMENTS

D269,495 S	6/1983	Finn	
4,625,489 A	12/1986	Bögle	
4,688,363 A	8/1987	Sweeney et al.	
4,830,320 A	5/1989	Bellows	
4,908,952 A	3/1990	Joos	
D406,028 S	2/1999	Montgomery	
6,616,128 B2	9/2003	Selzer	
D538,150 S	3/2007	Burns et al.	
7,784,751 B1	8/2010	Bellows et al.	
7,992,354 B2	8/2011	Doda, Jr.	
8,429,878 B1	4/2013	Hoffman et al.	
8,429,879 B1	4/2013	Hoffman et al.	
8,671,628 B2	3/2014	Sighinolfi	
8,800,246 B2	8/2014	Gorton	
8,887,475 B2	11/2014	Ghelfi	
9,045,911 B2	6/2015	Hoffman et al.	
D760,566 S *	7/2016	Biec	D8/47

* cited by examiner

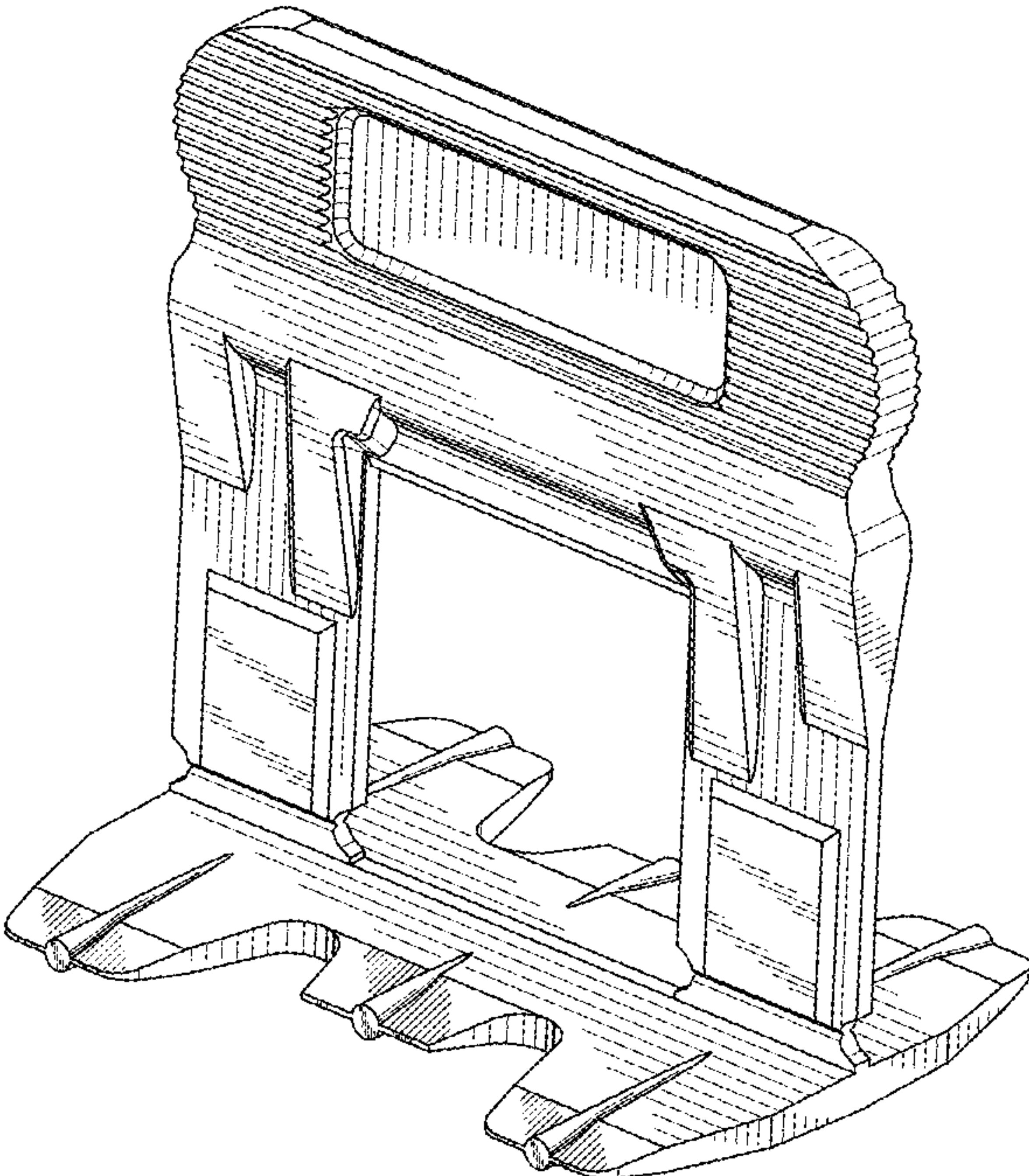


FIG. 1

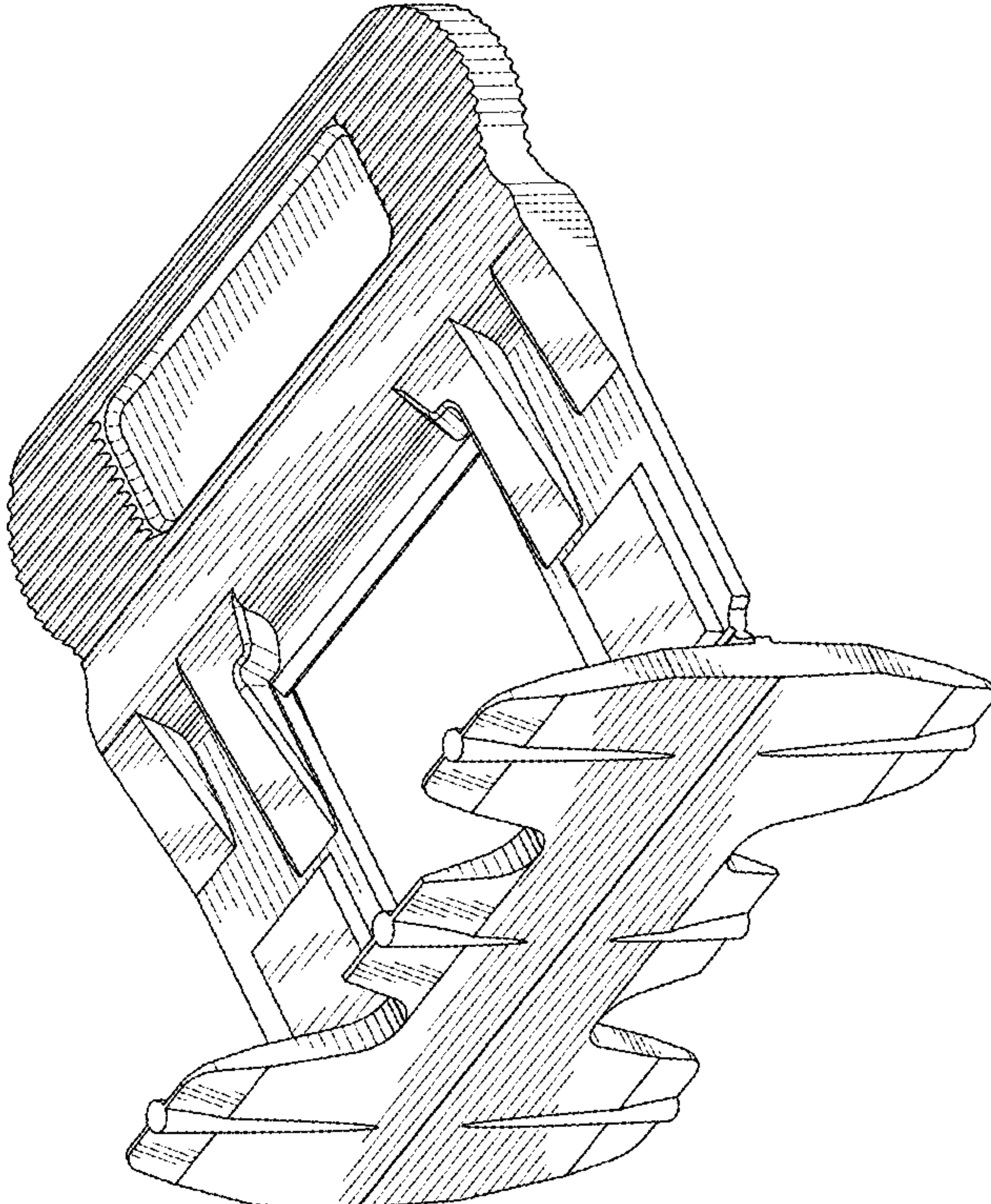


FIG. 2

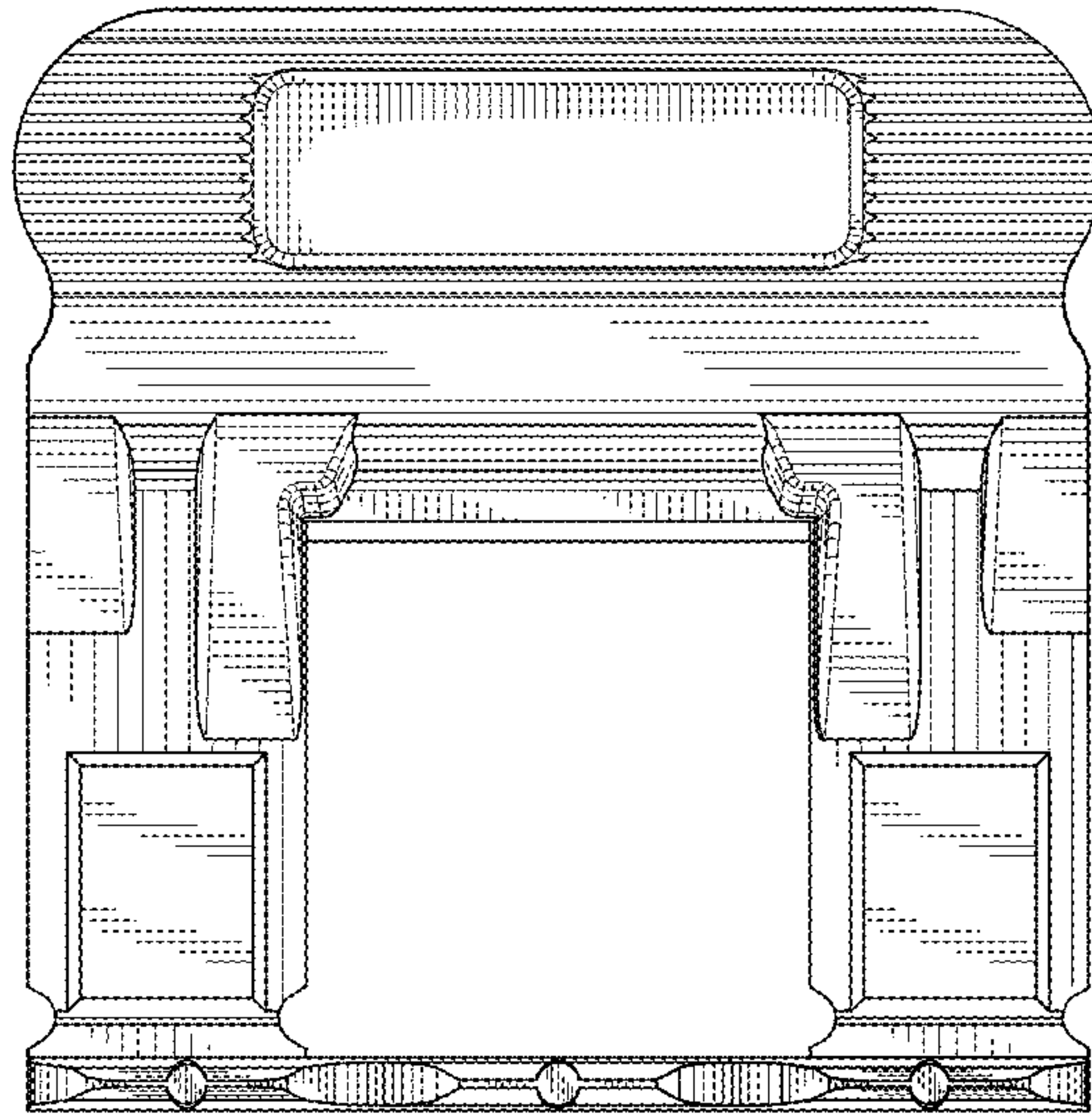


FIG. 3

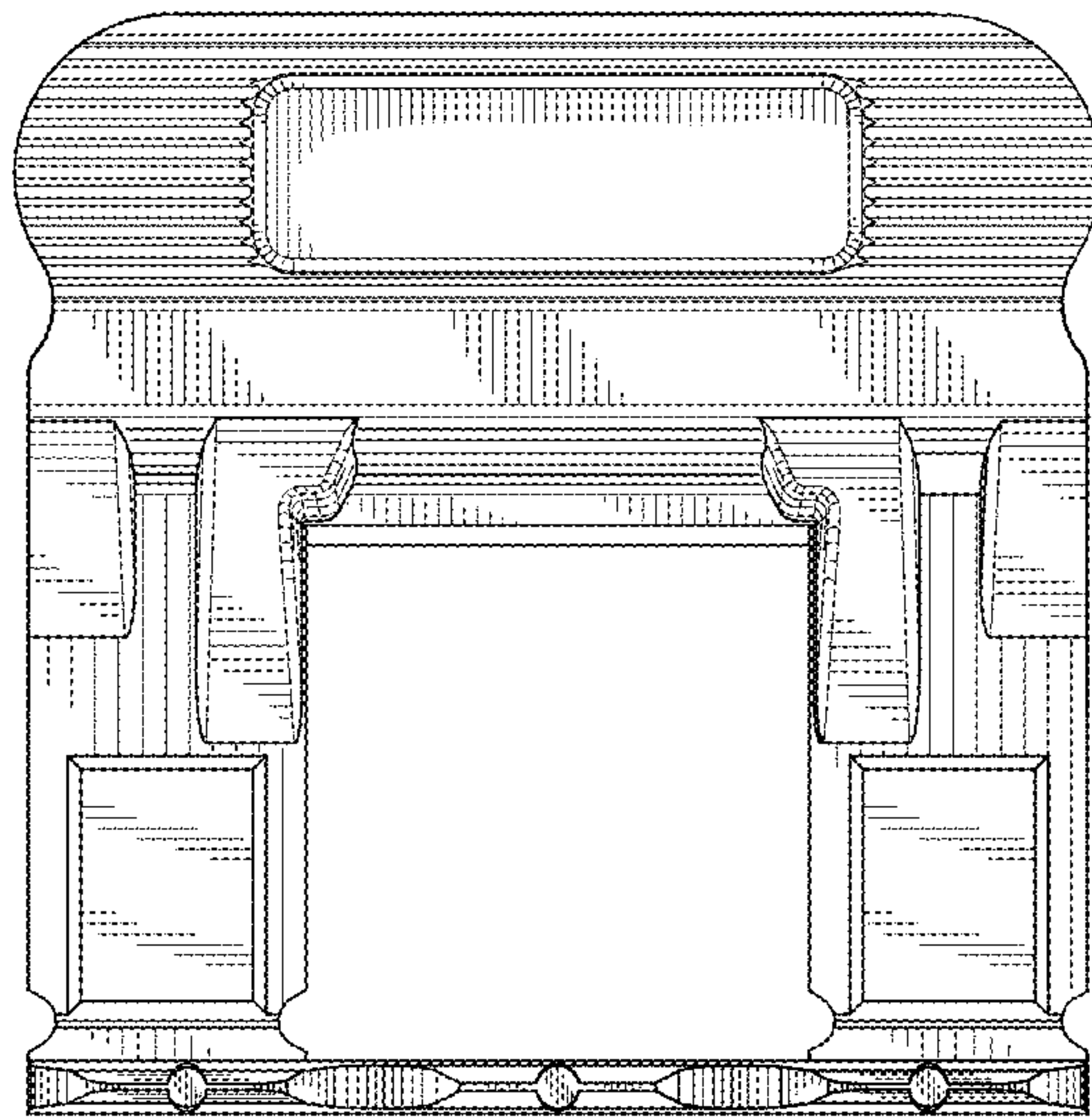


FIG. 4

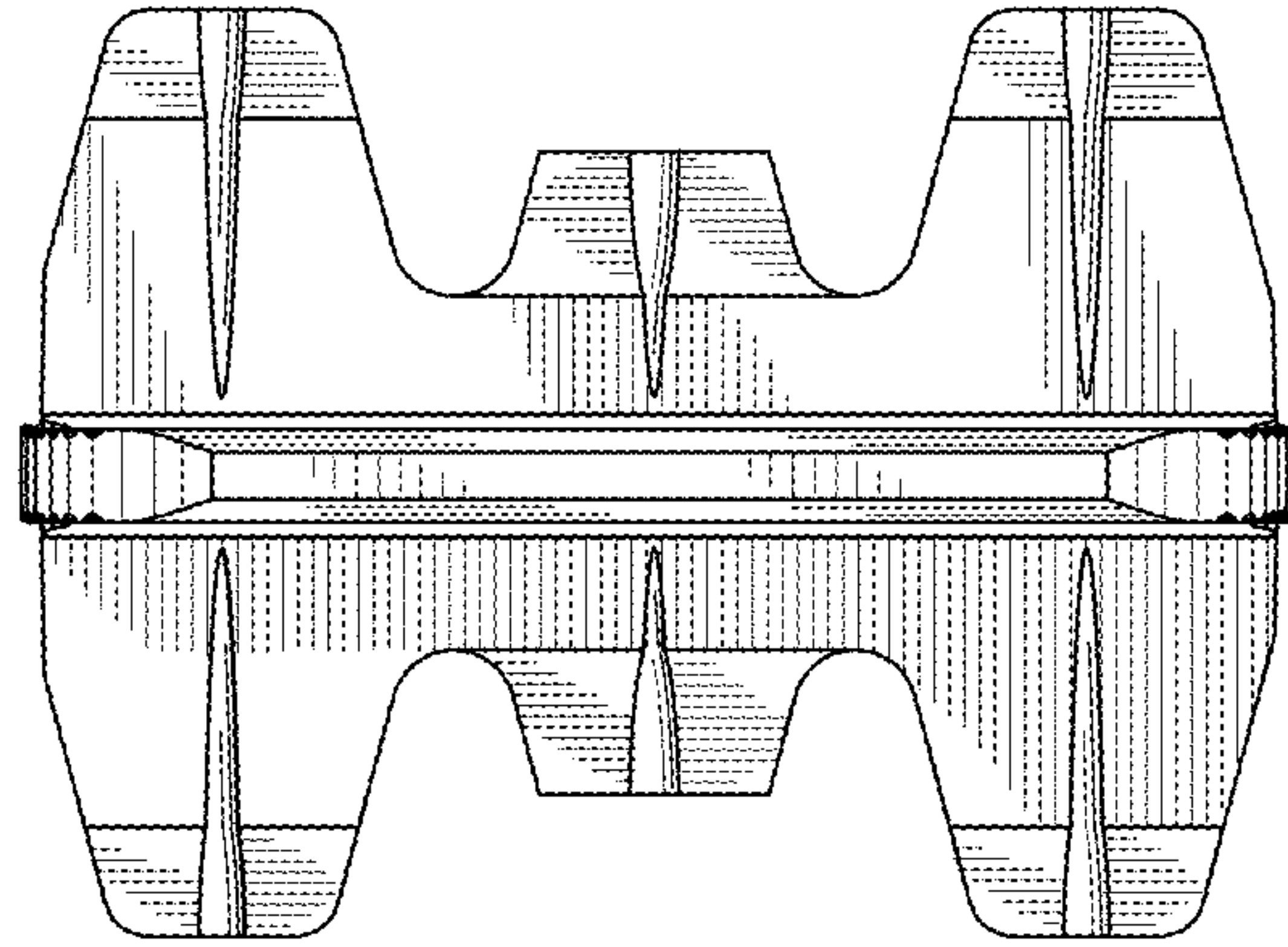


FIG. 5

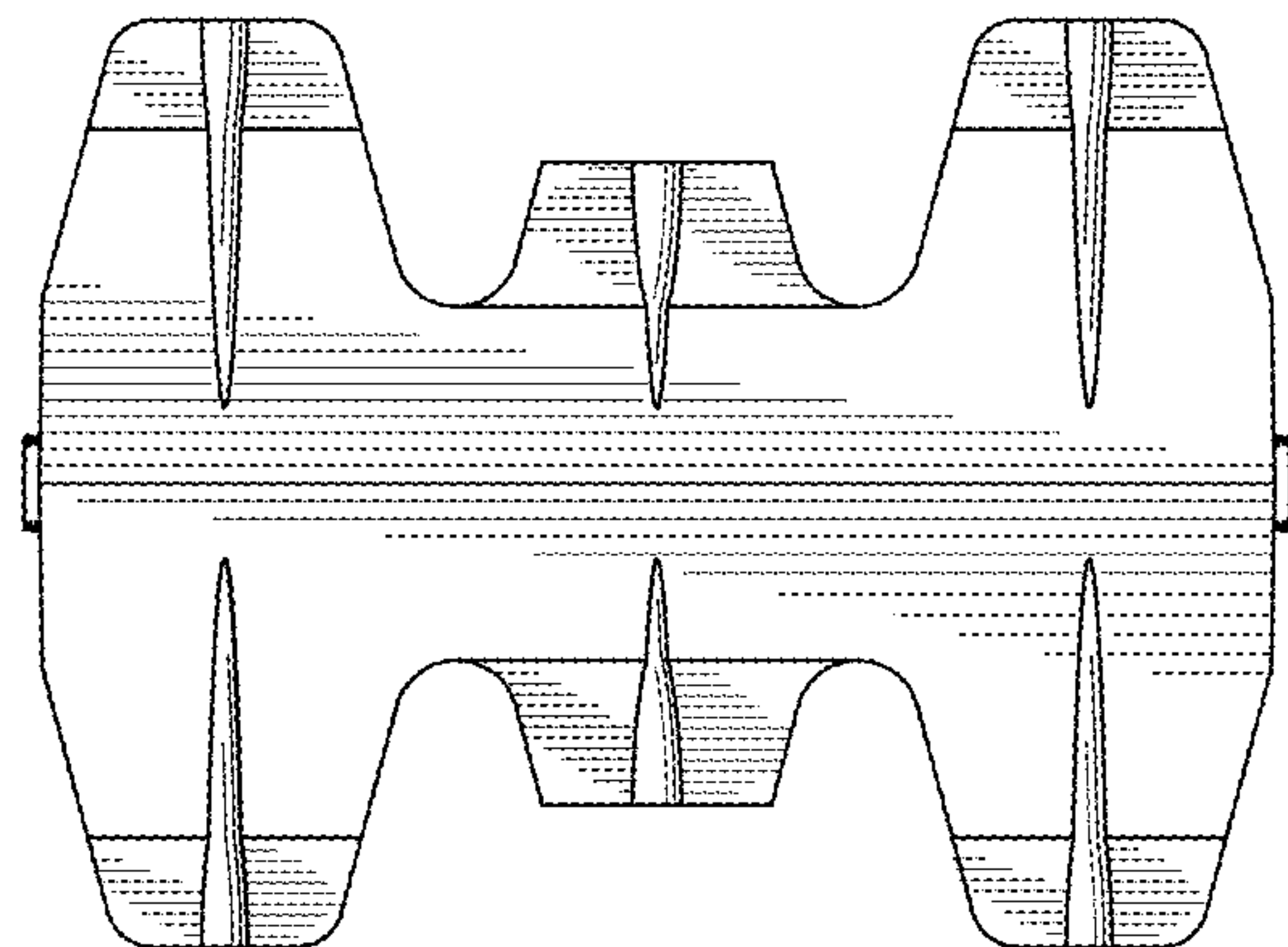


FIG. 6

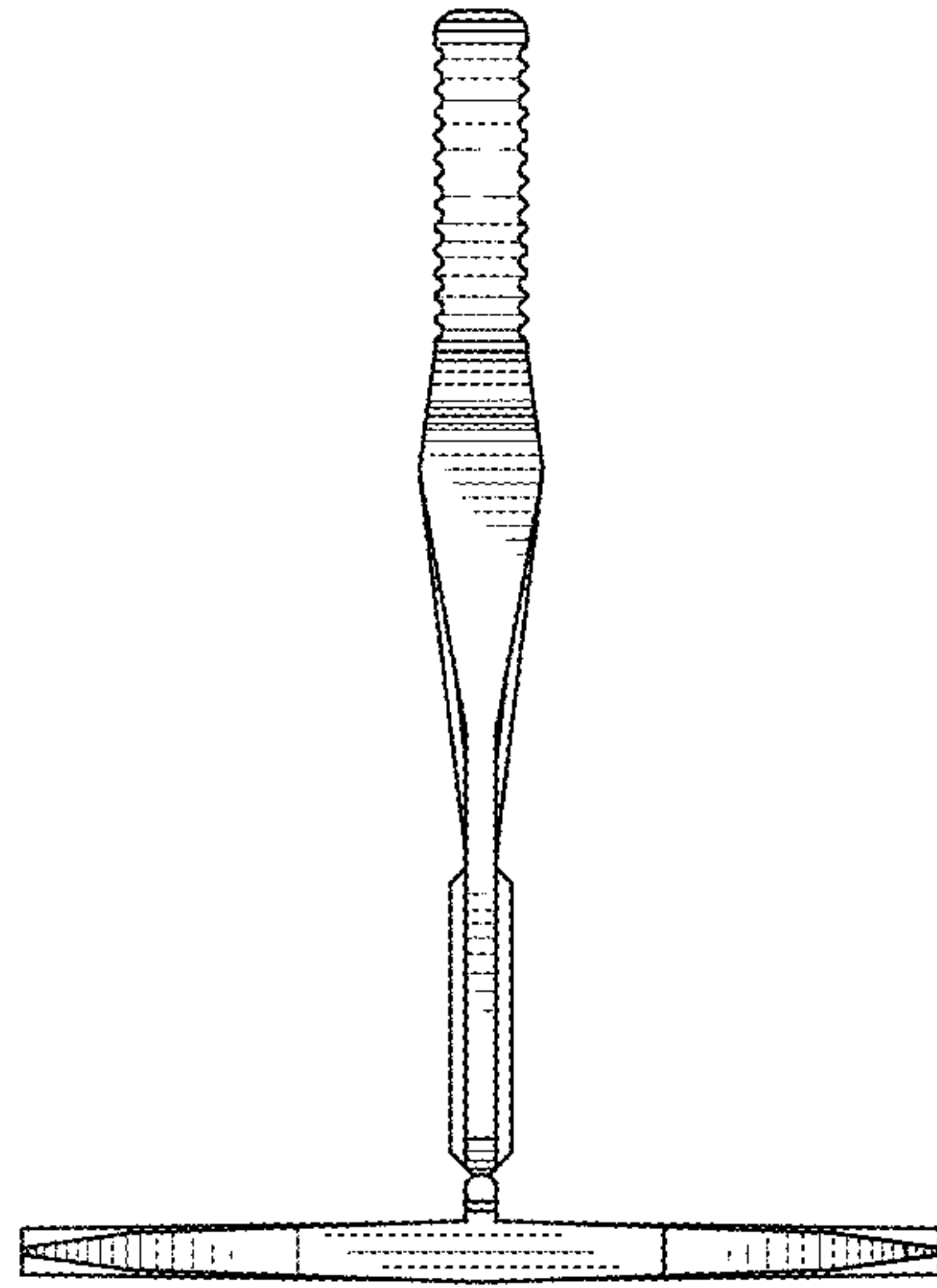


FIG. 7

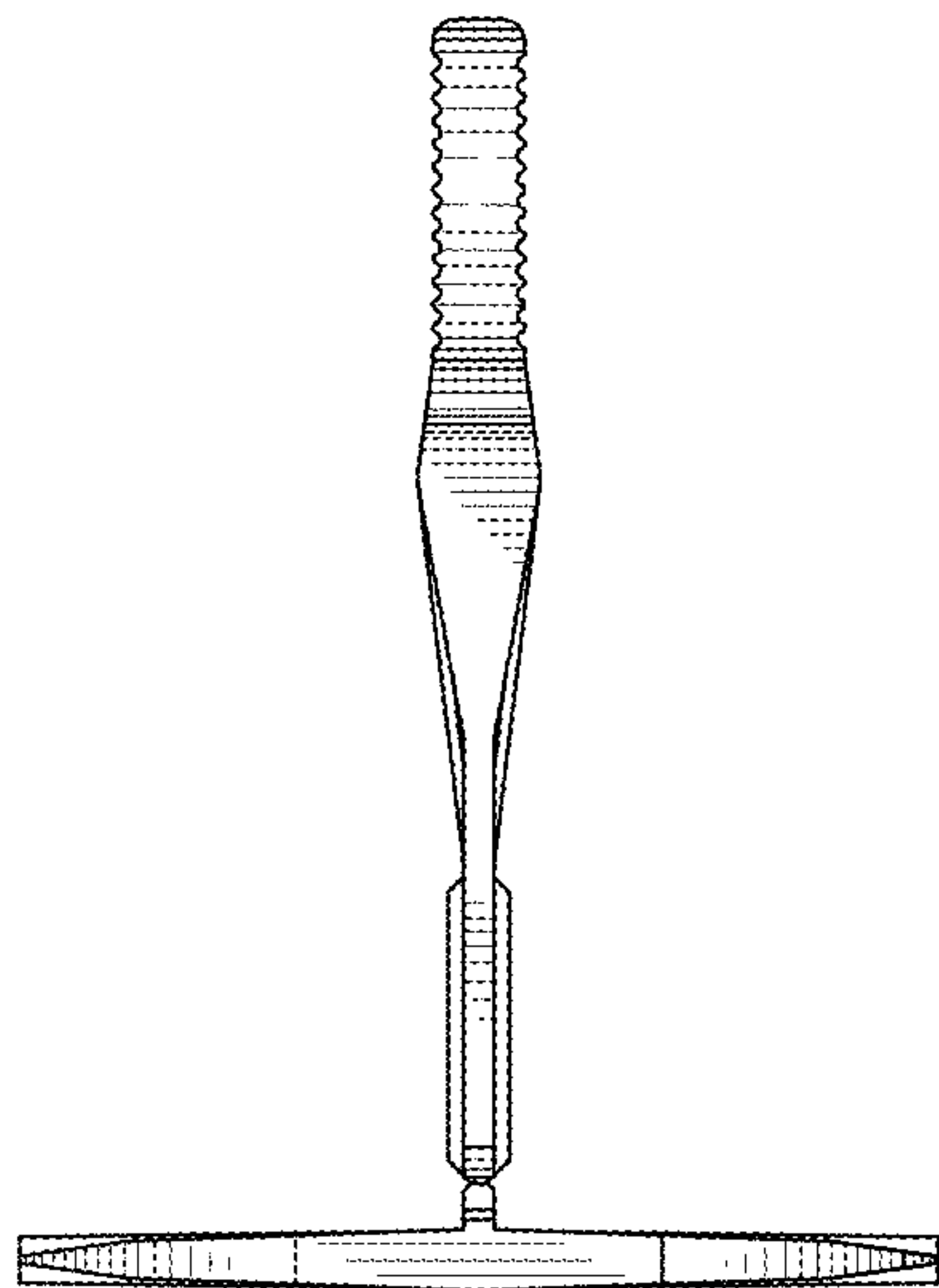


FIG. 8

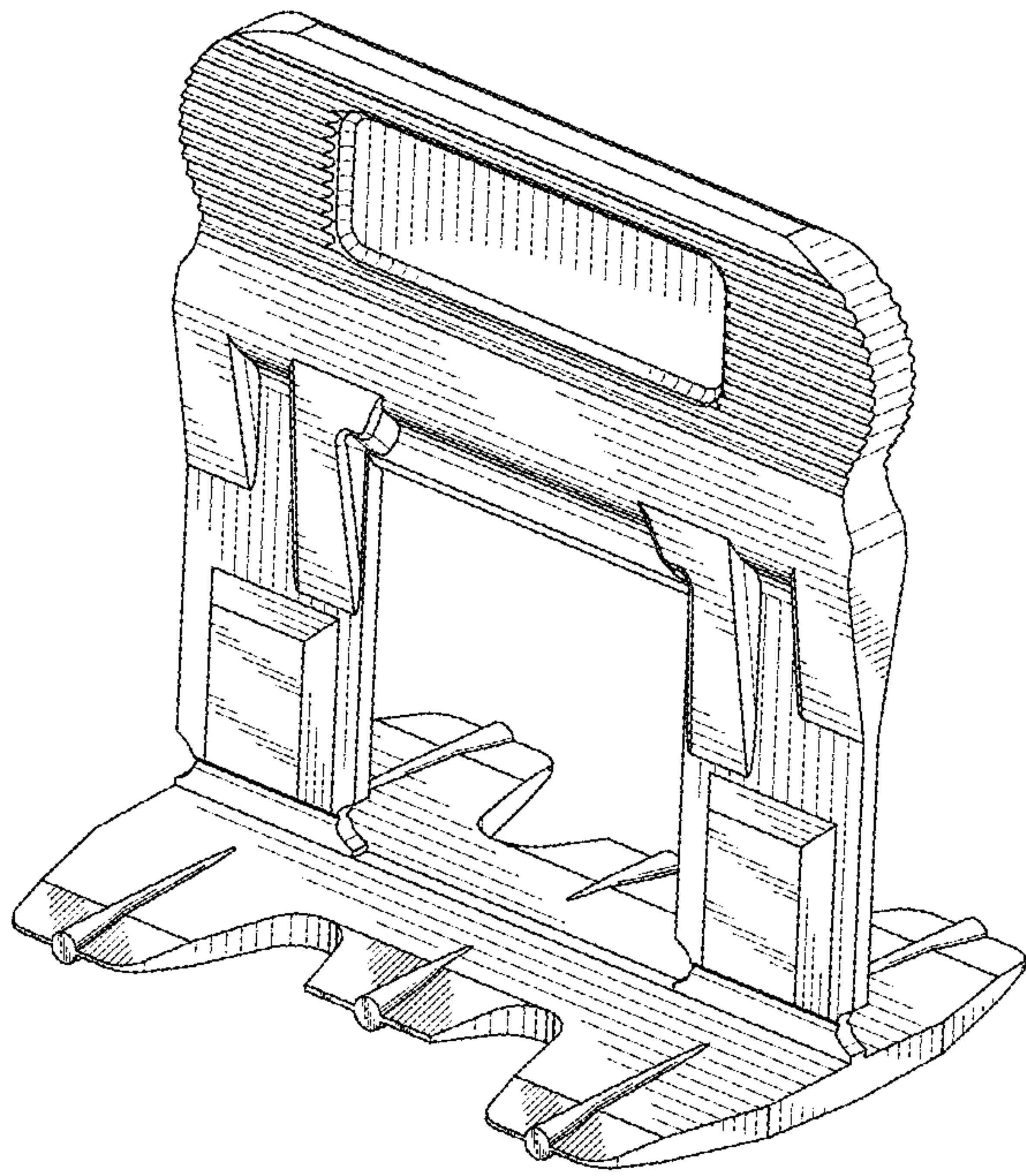


FIG. 9

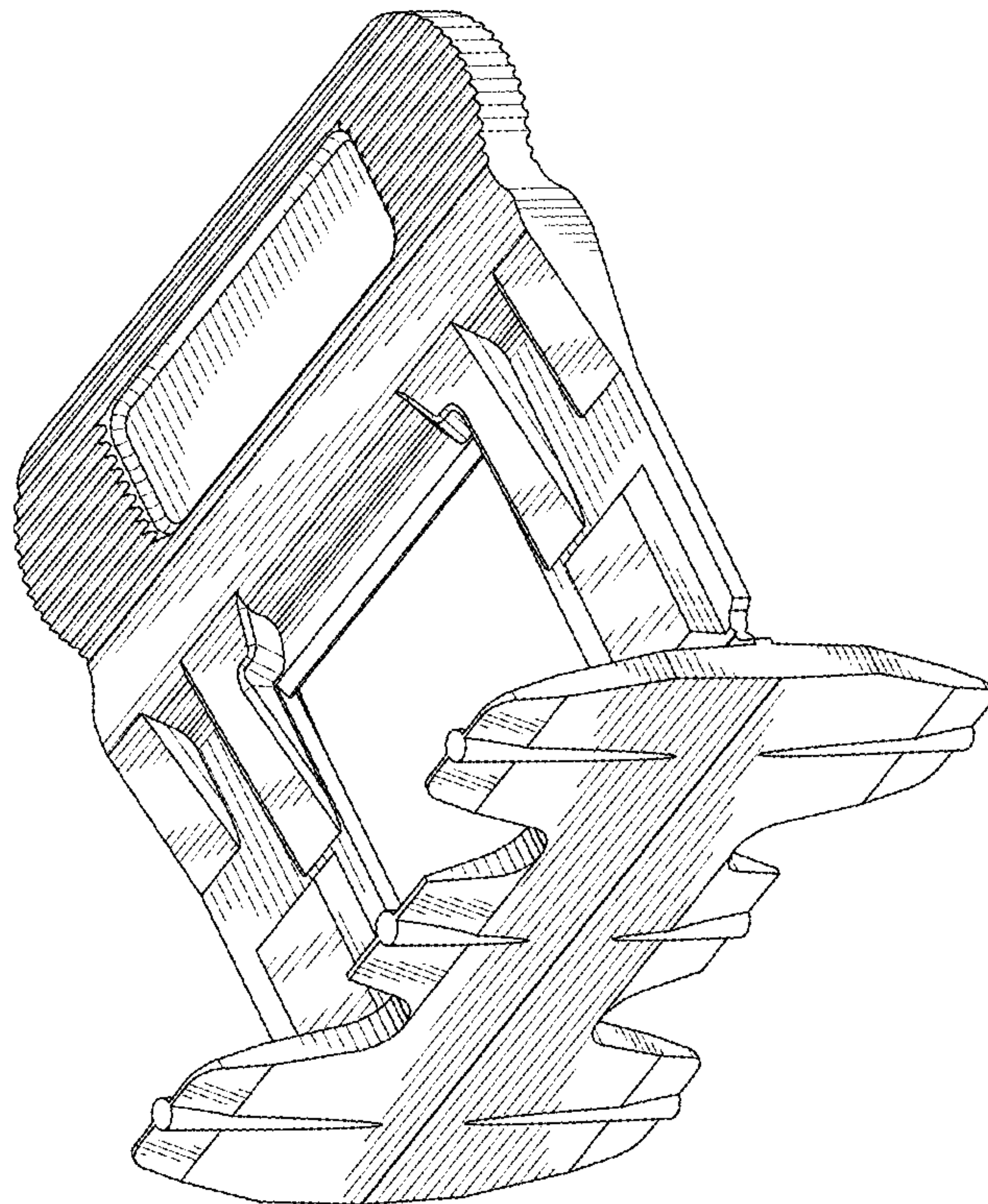


FIG. 10

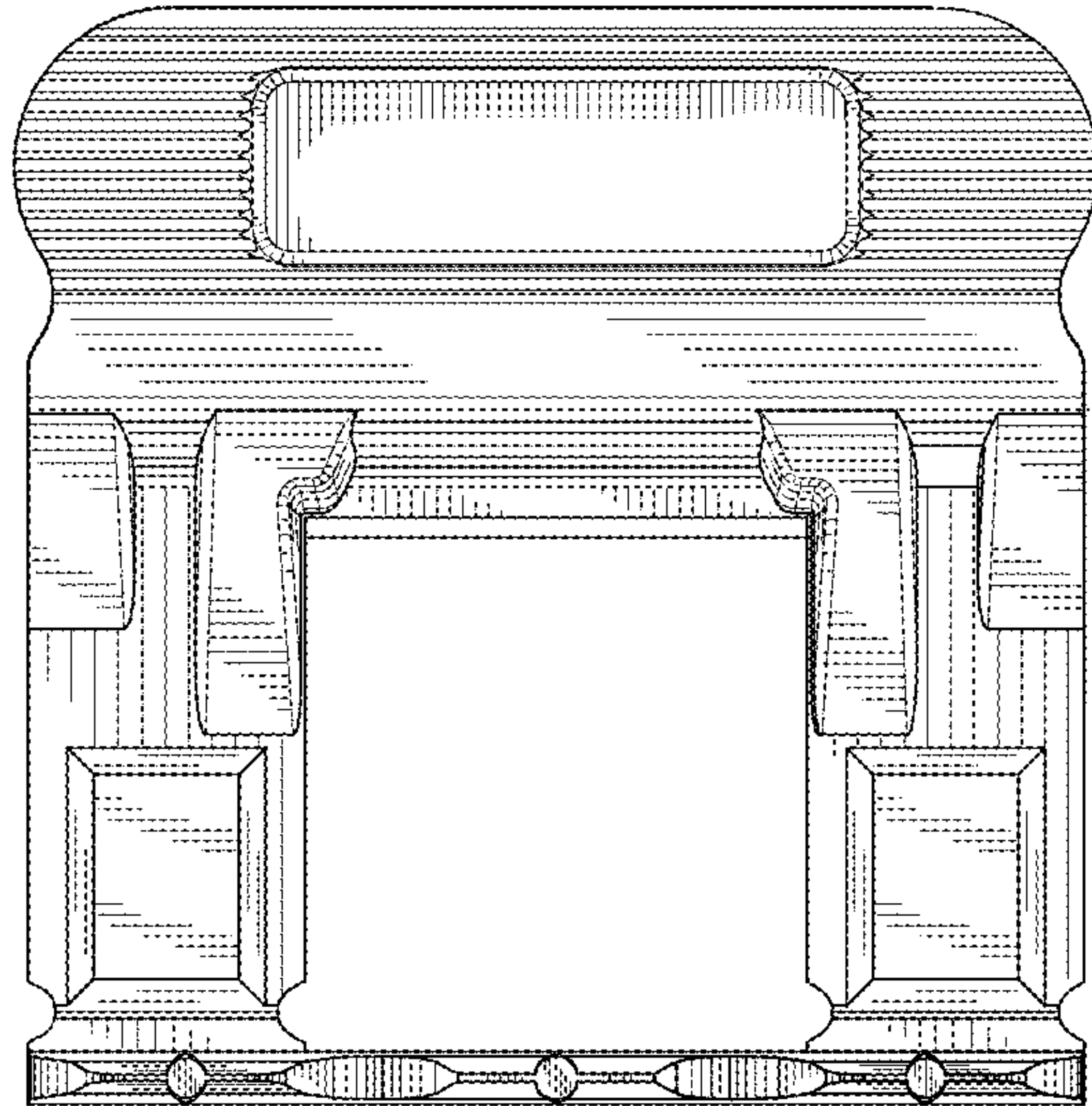


FIG. 11

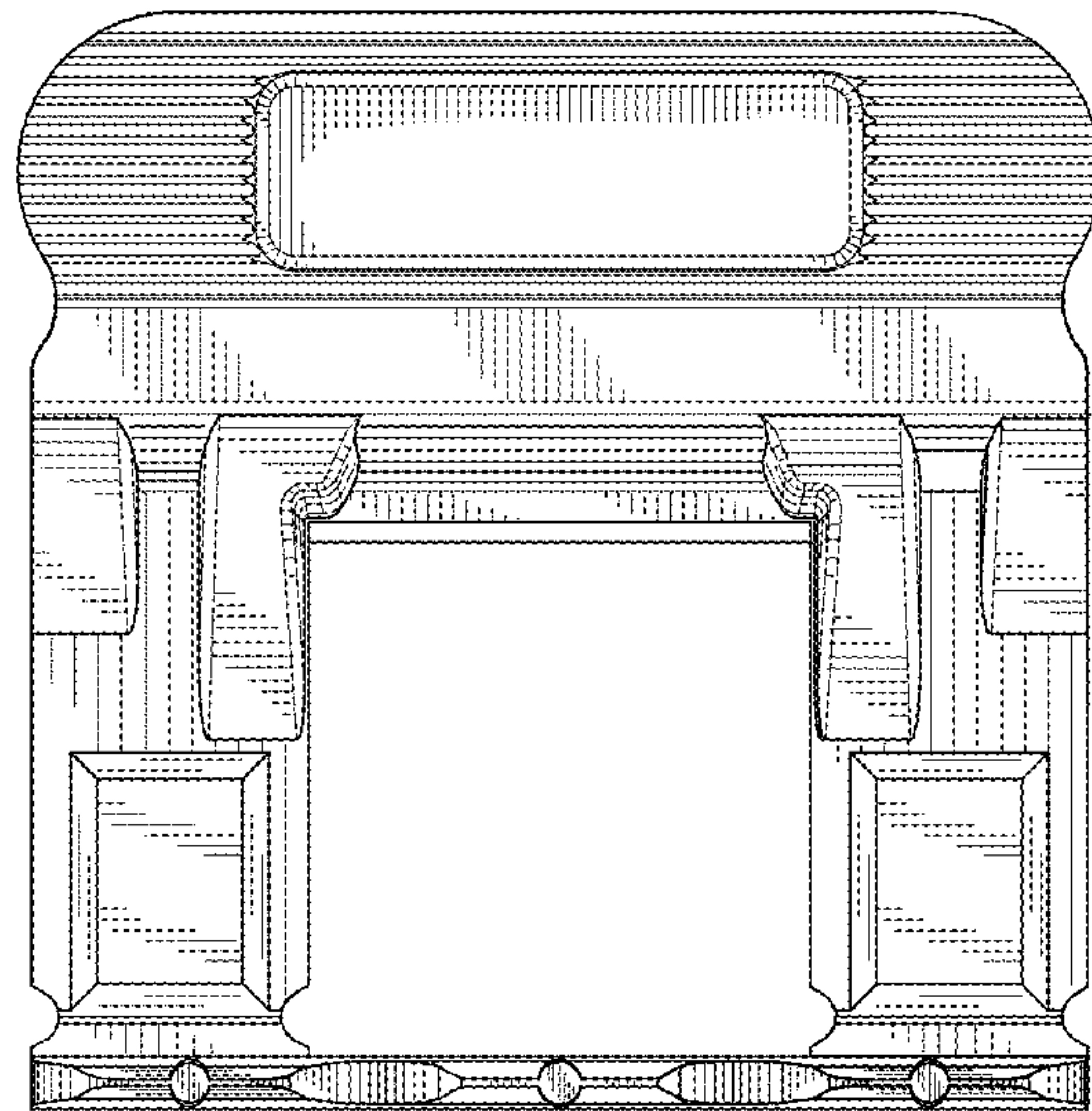


FIG. 12

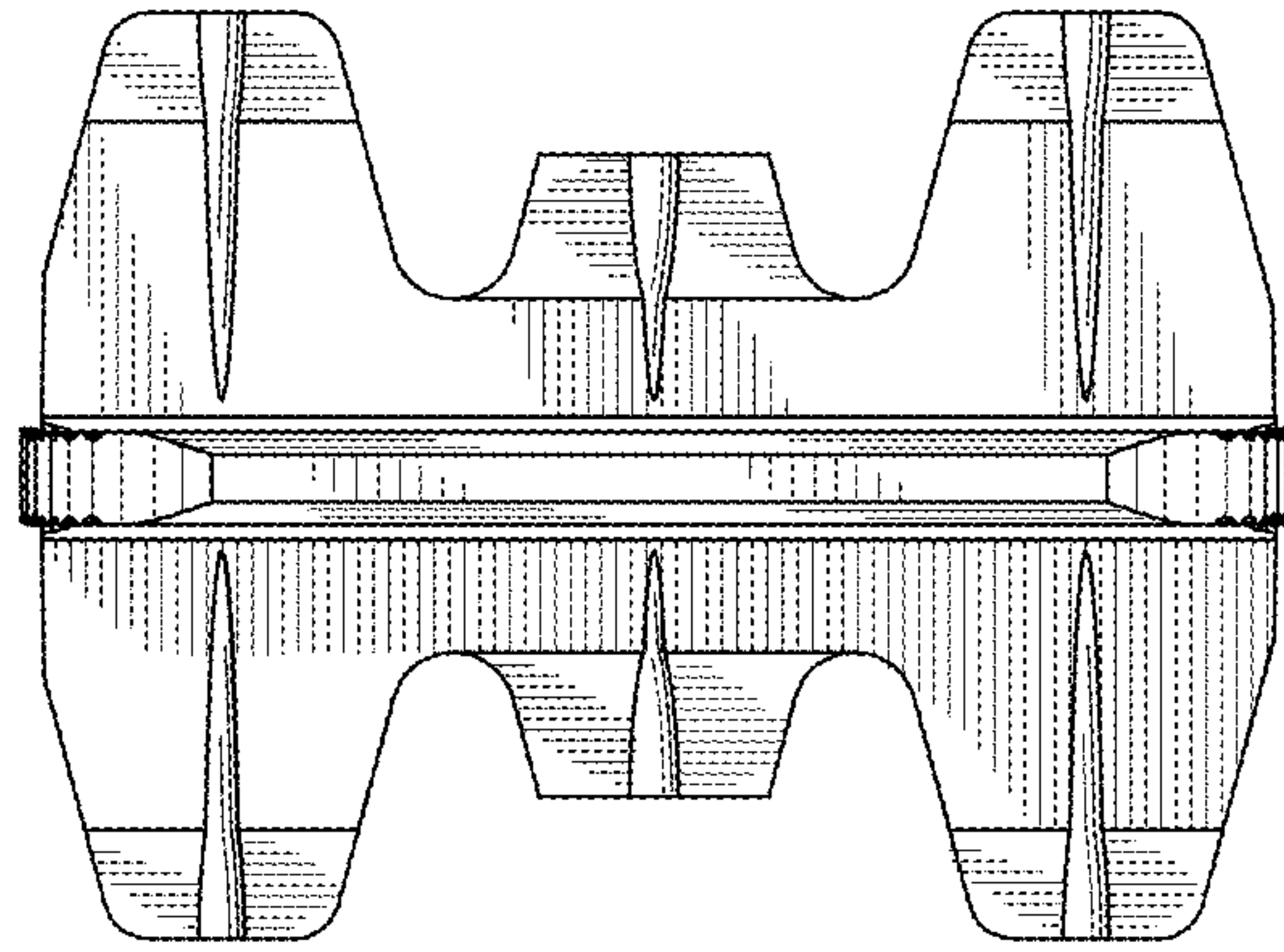


FIG. 13

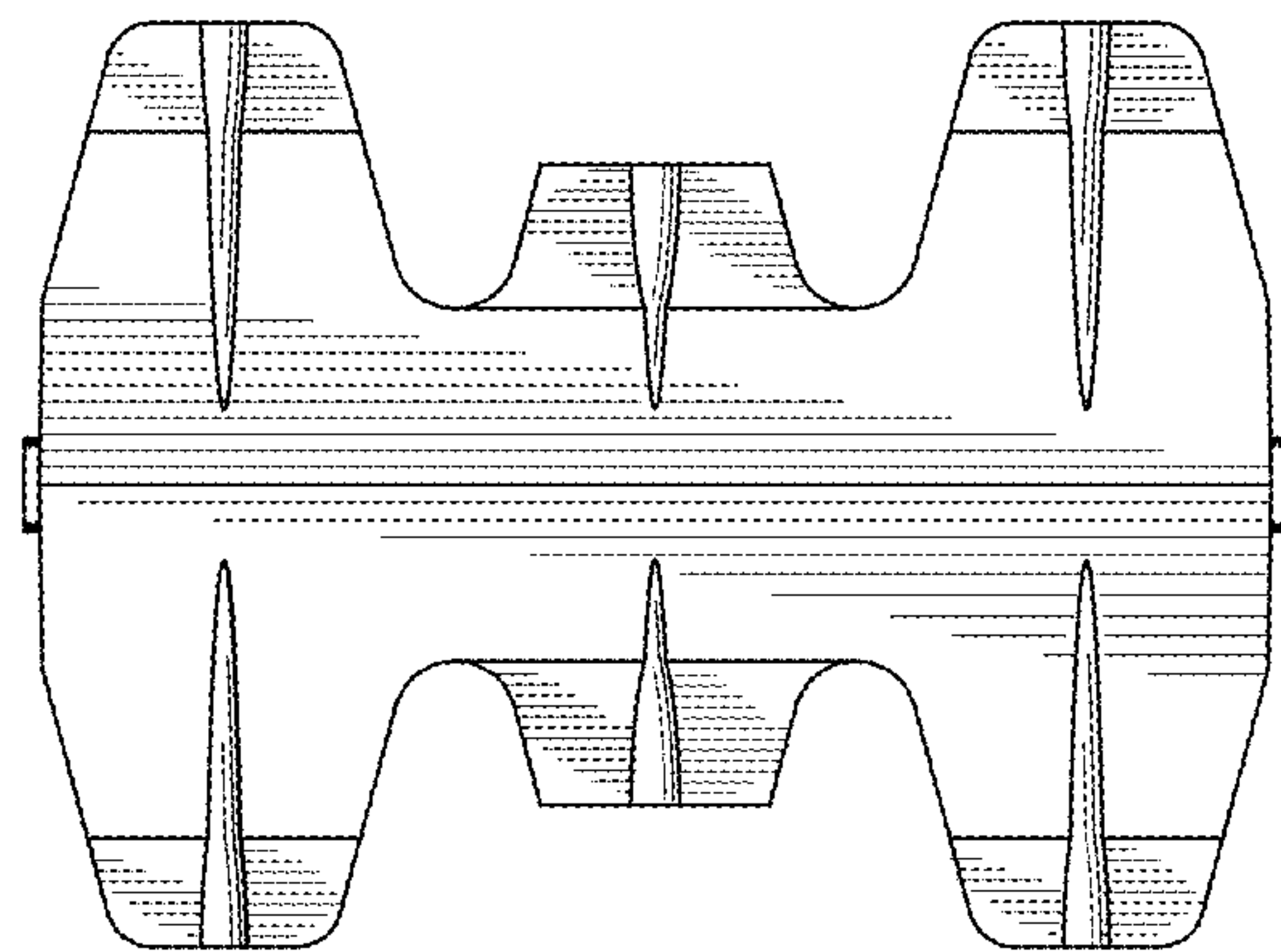


FIG. 14

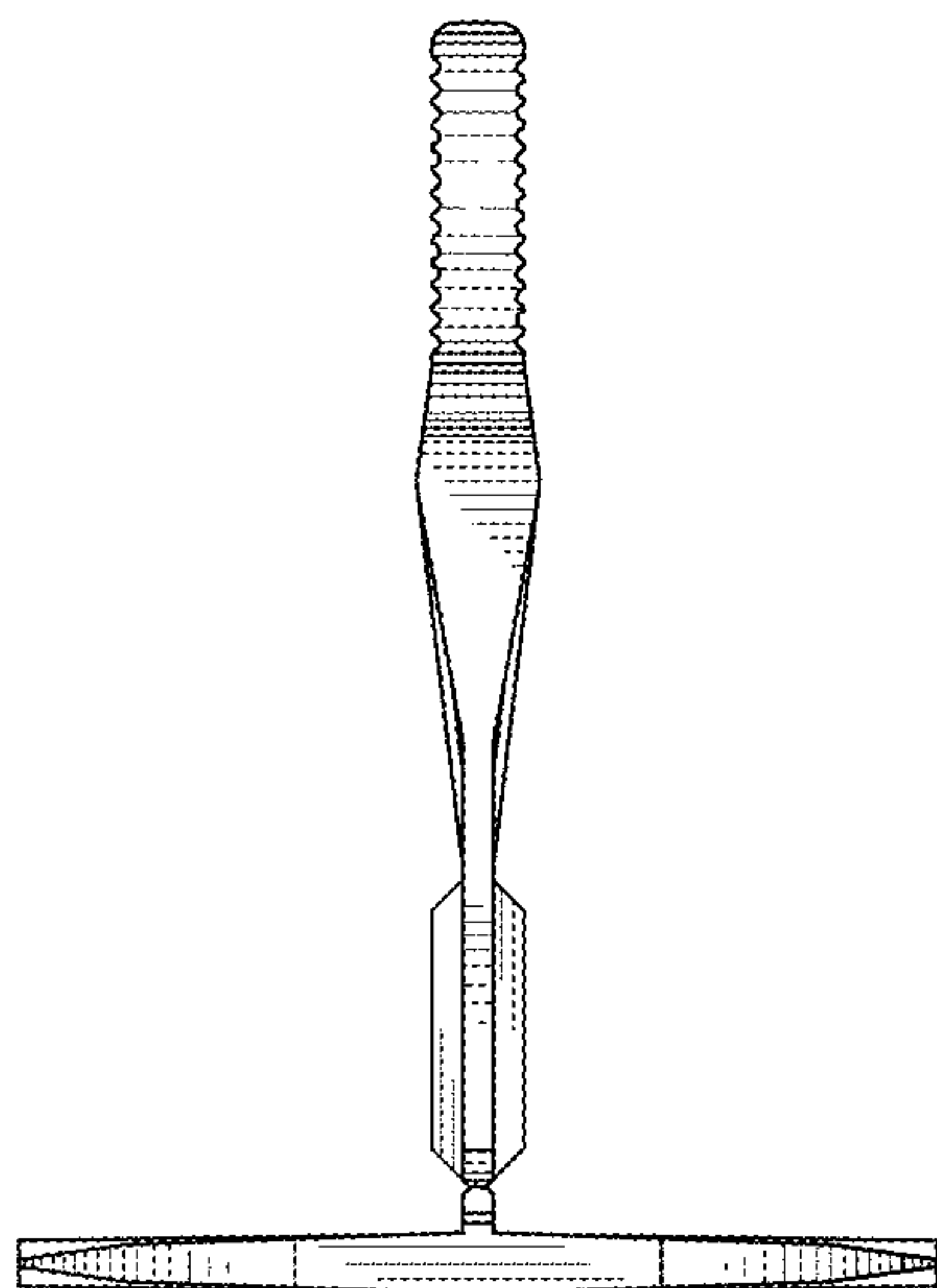


FIG. 15

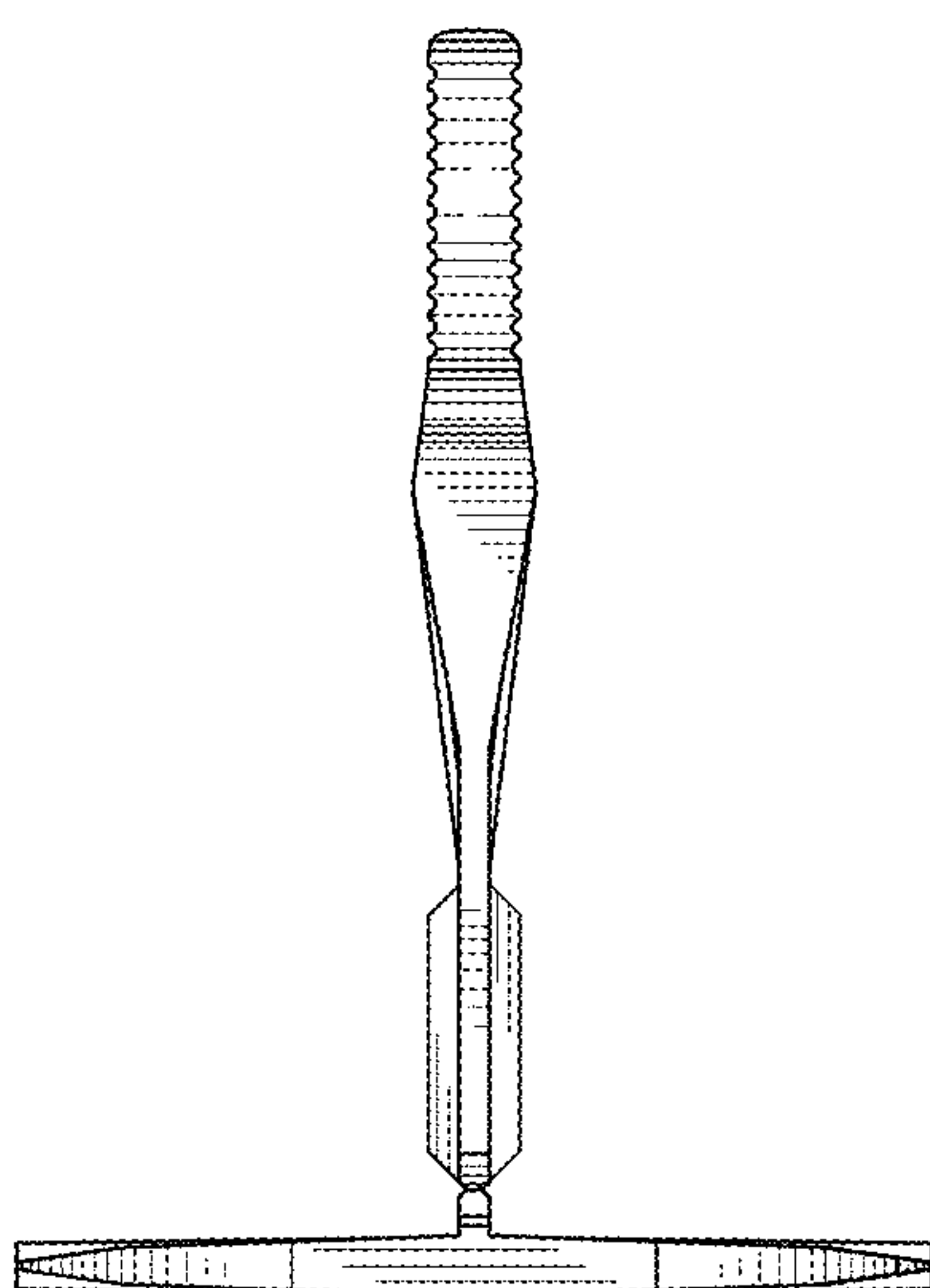


FIG. 16

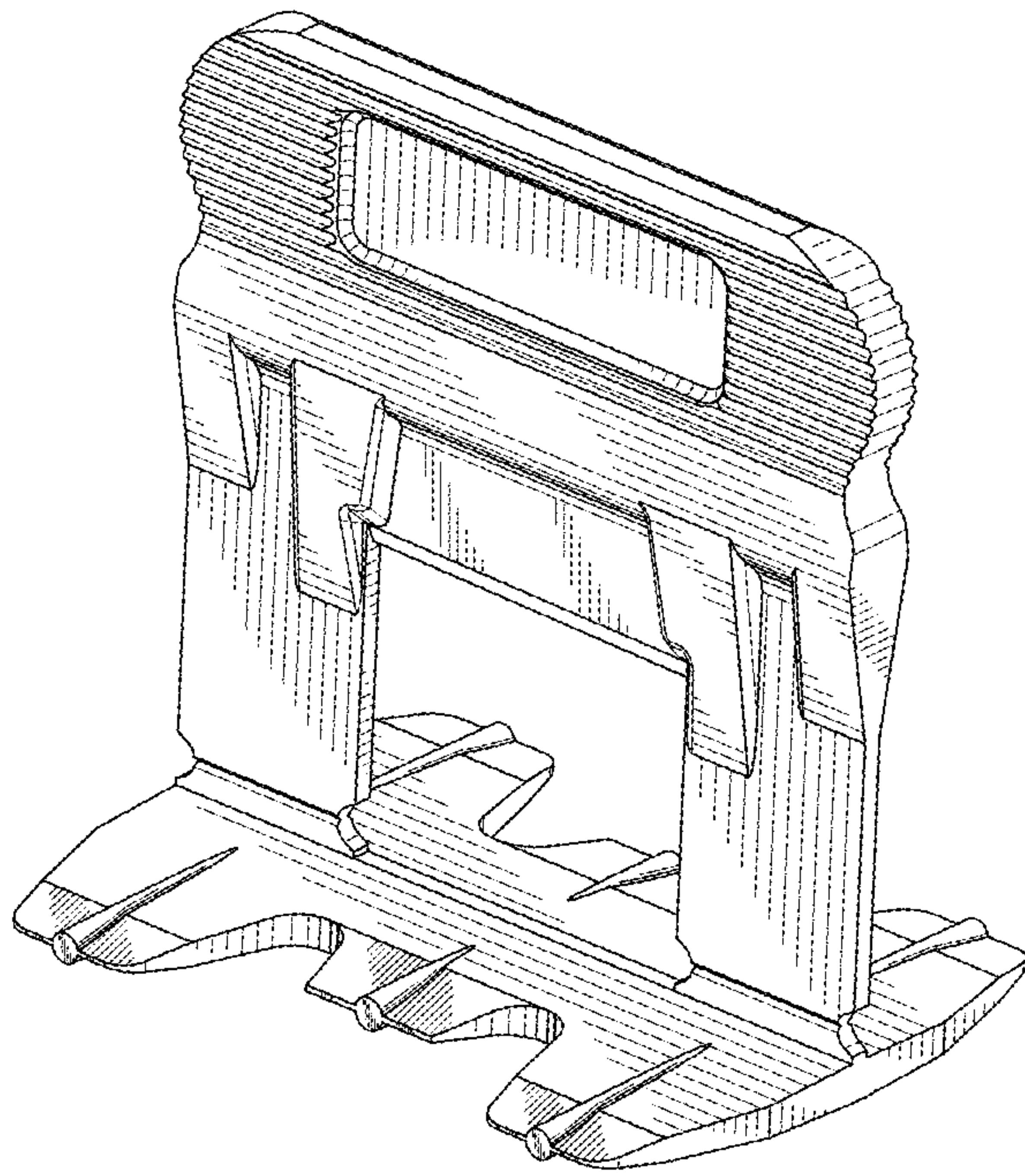


FIG. 17

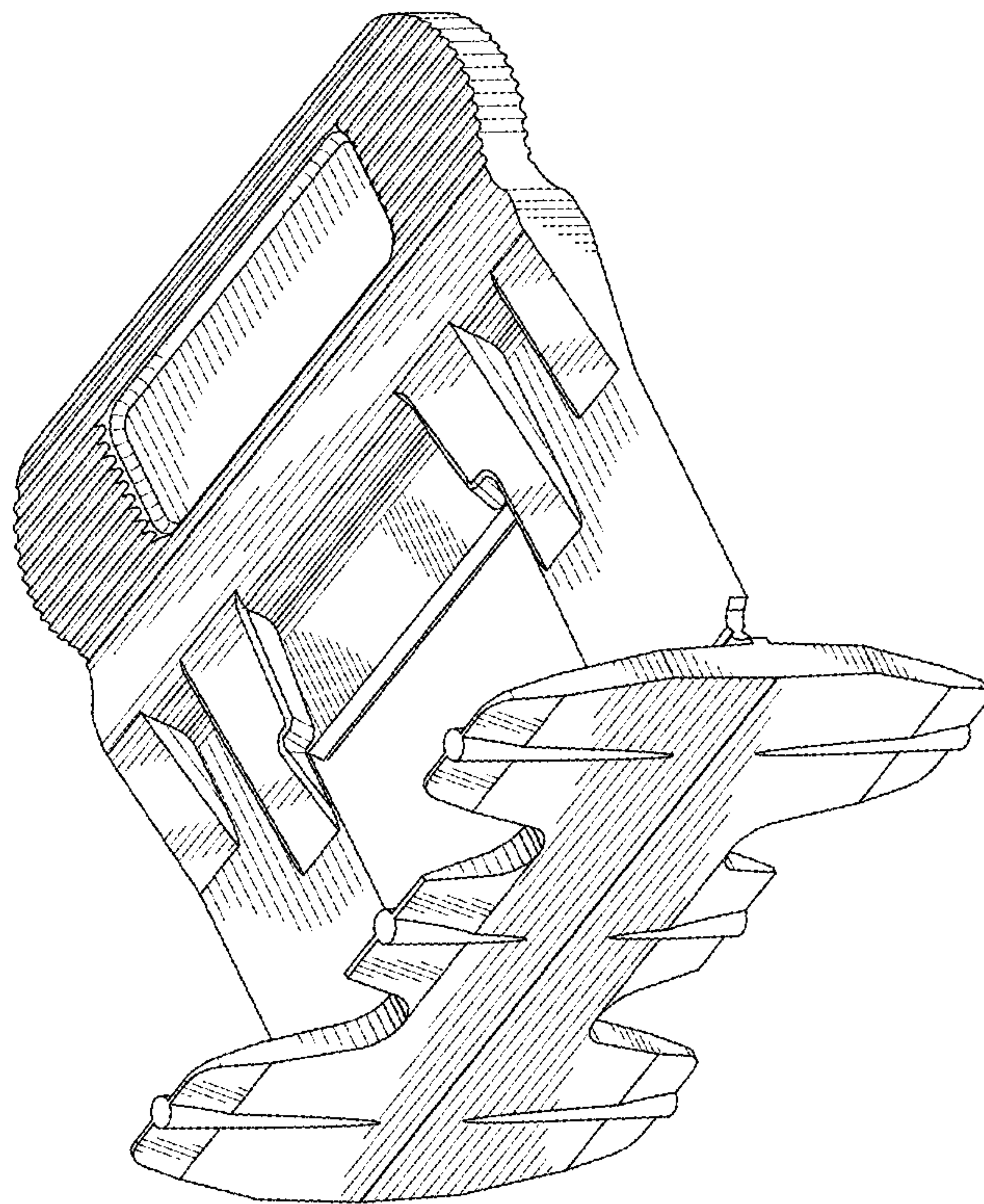


FIG. 18

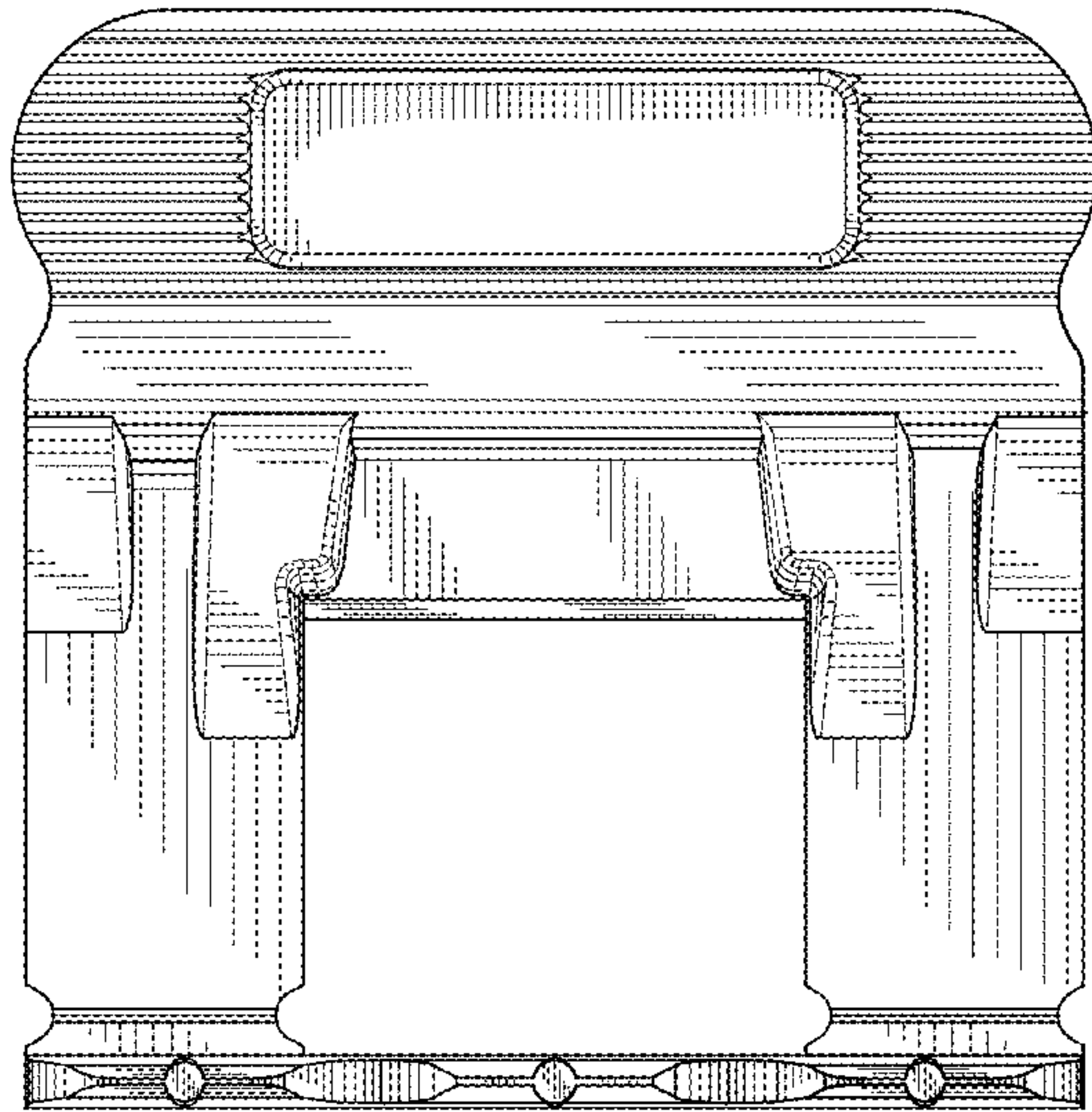


FIG. 19

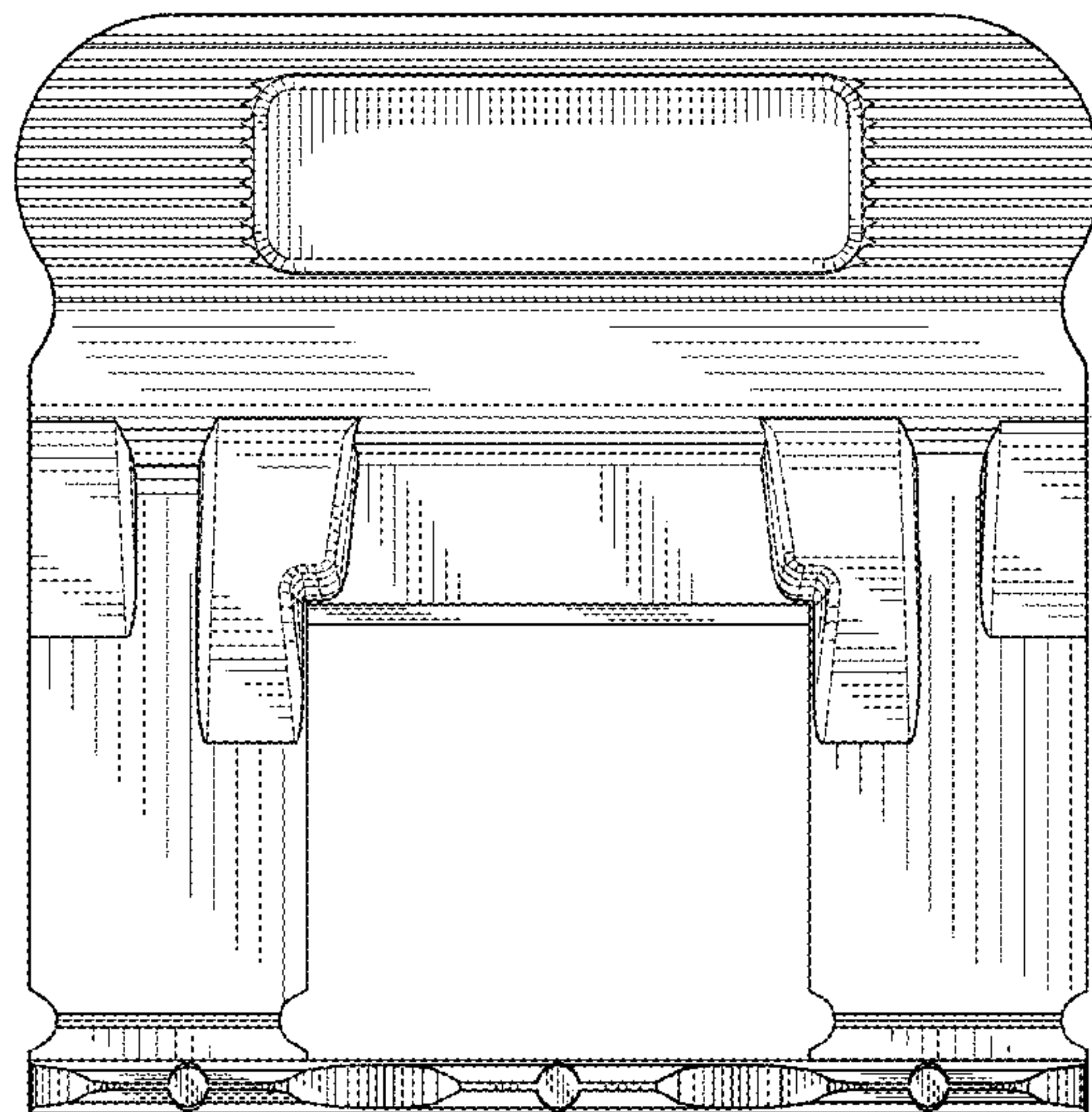


FIG. 20

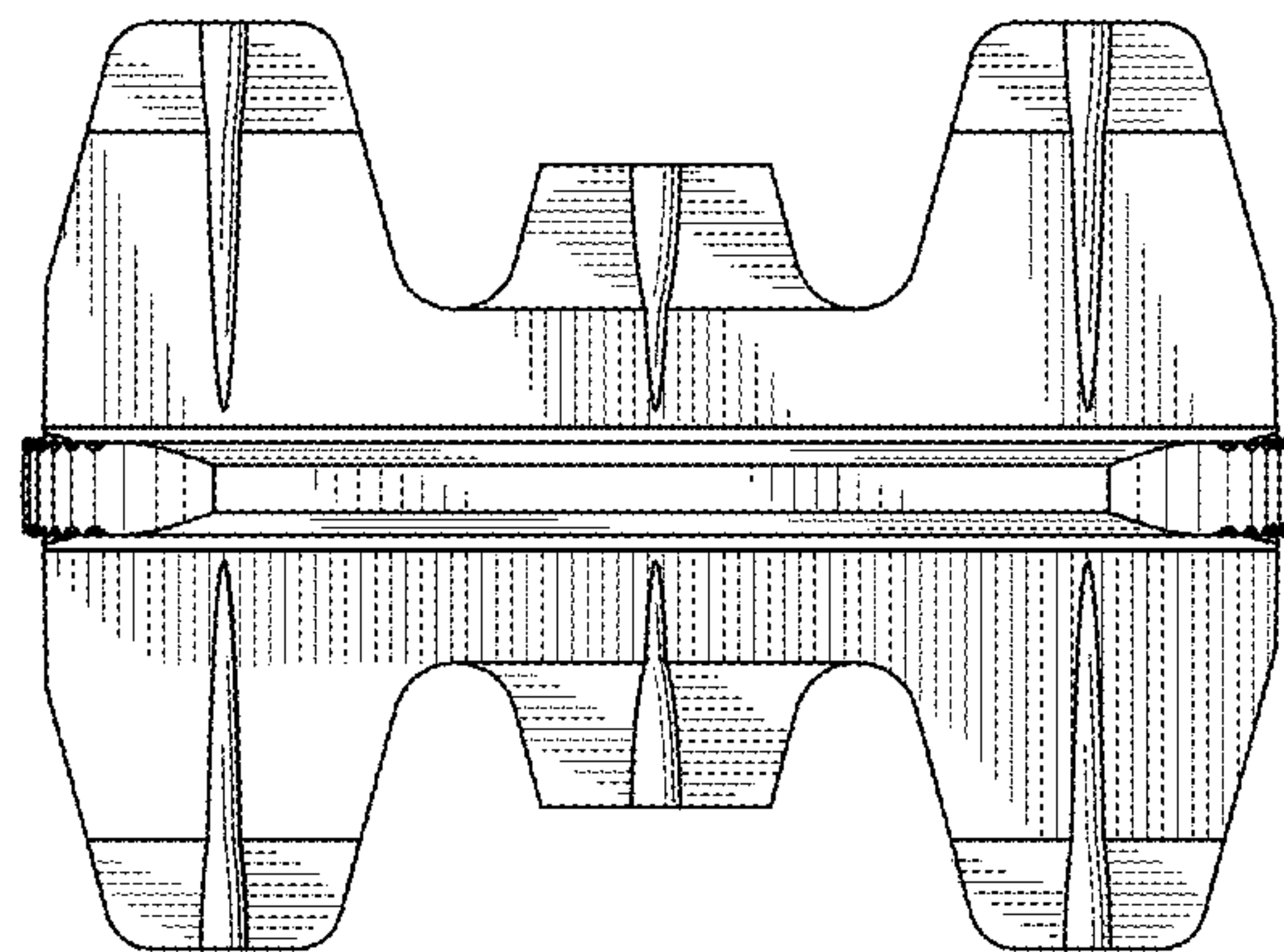


FIG. 21

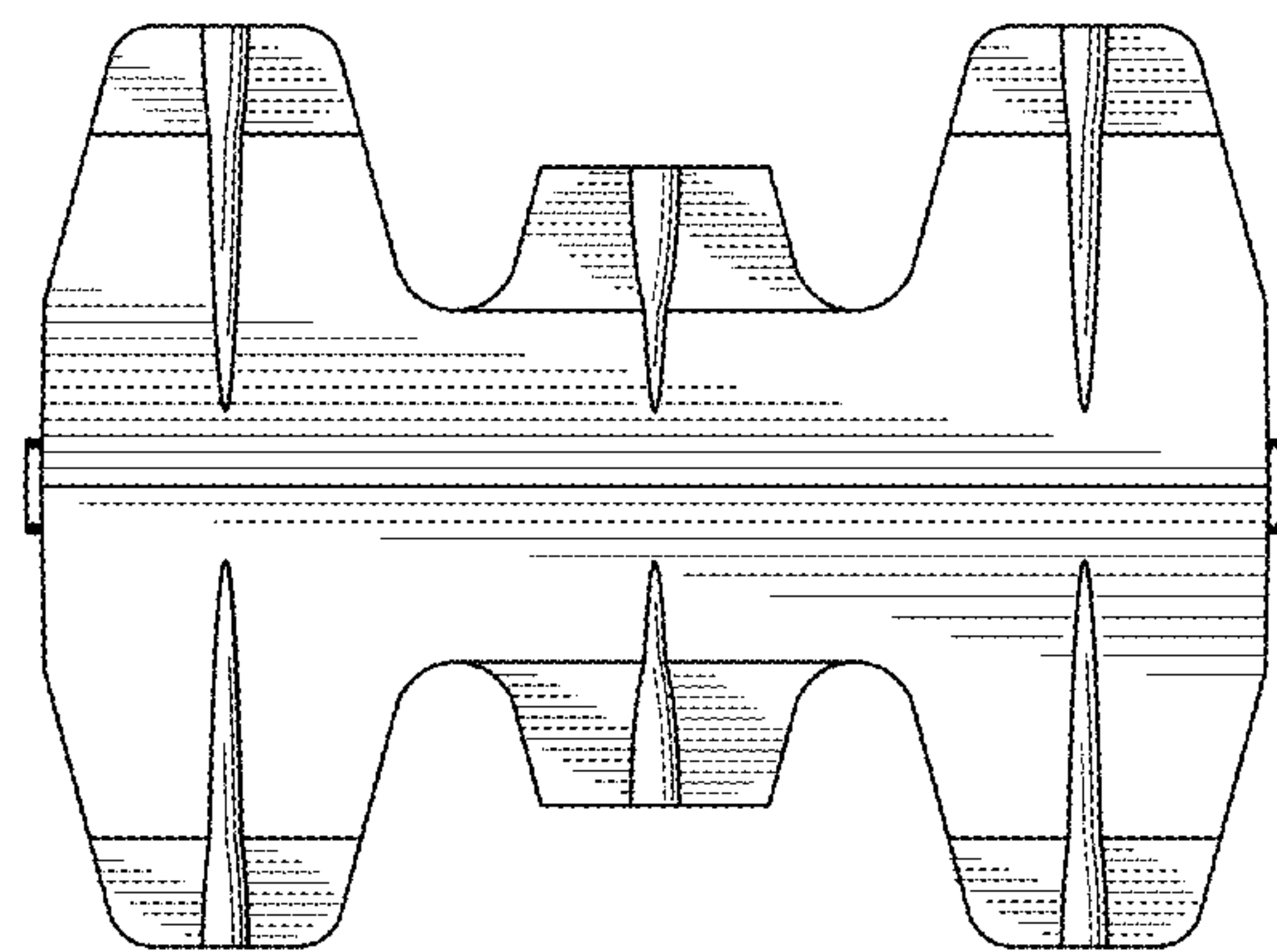


FIG. 22

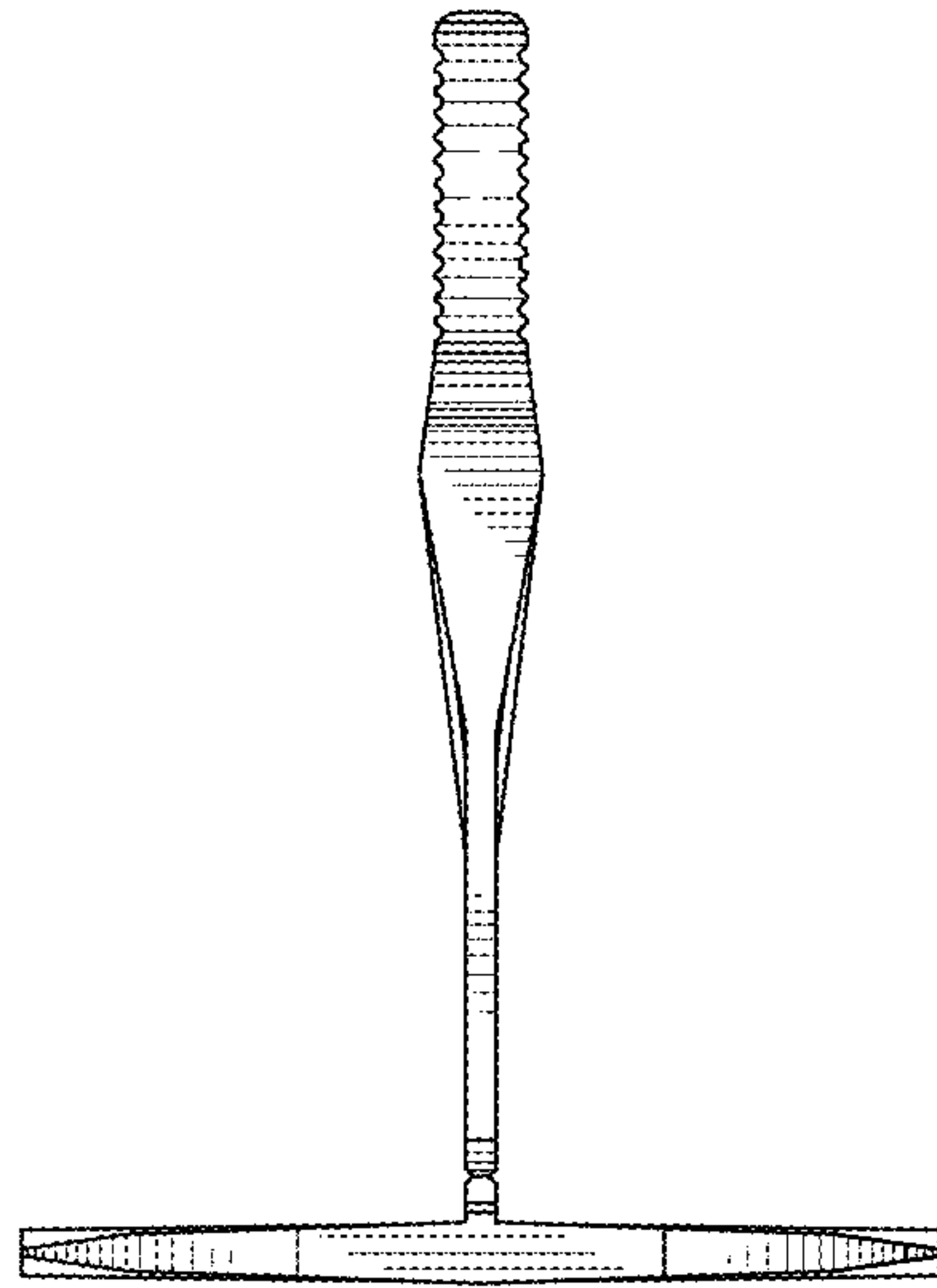


FIG. 23

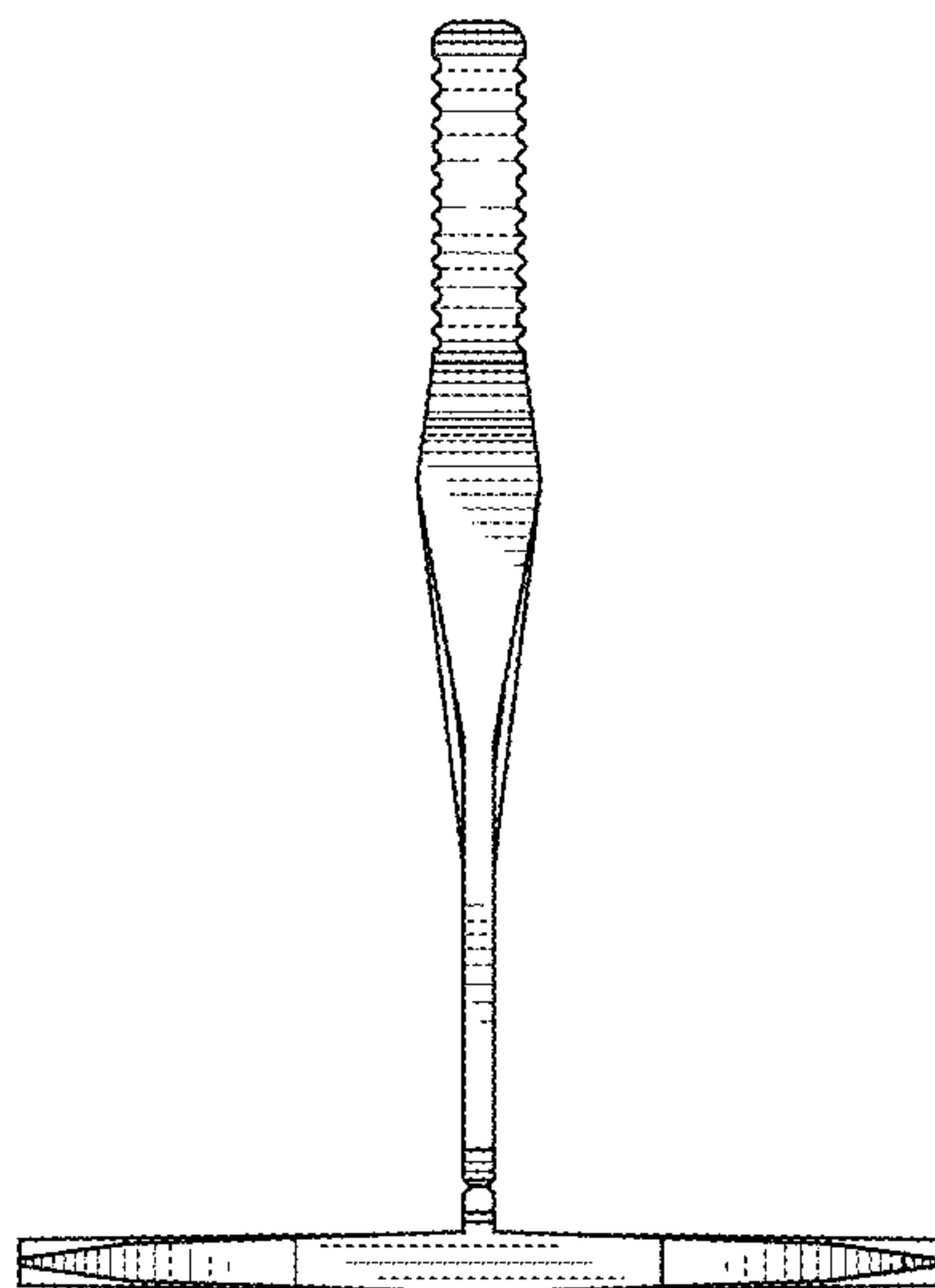


FIG. 24

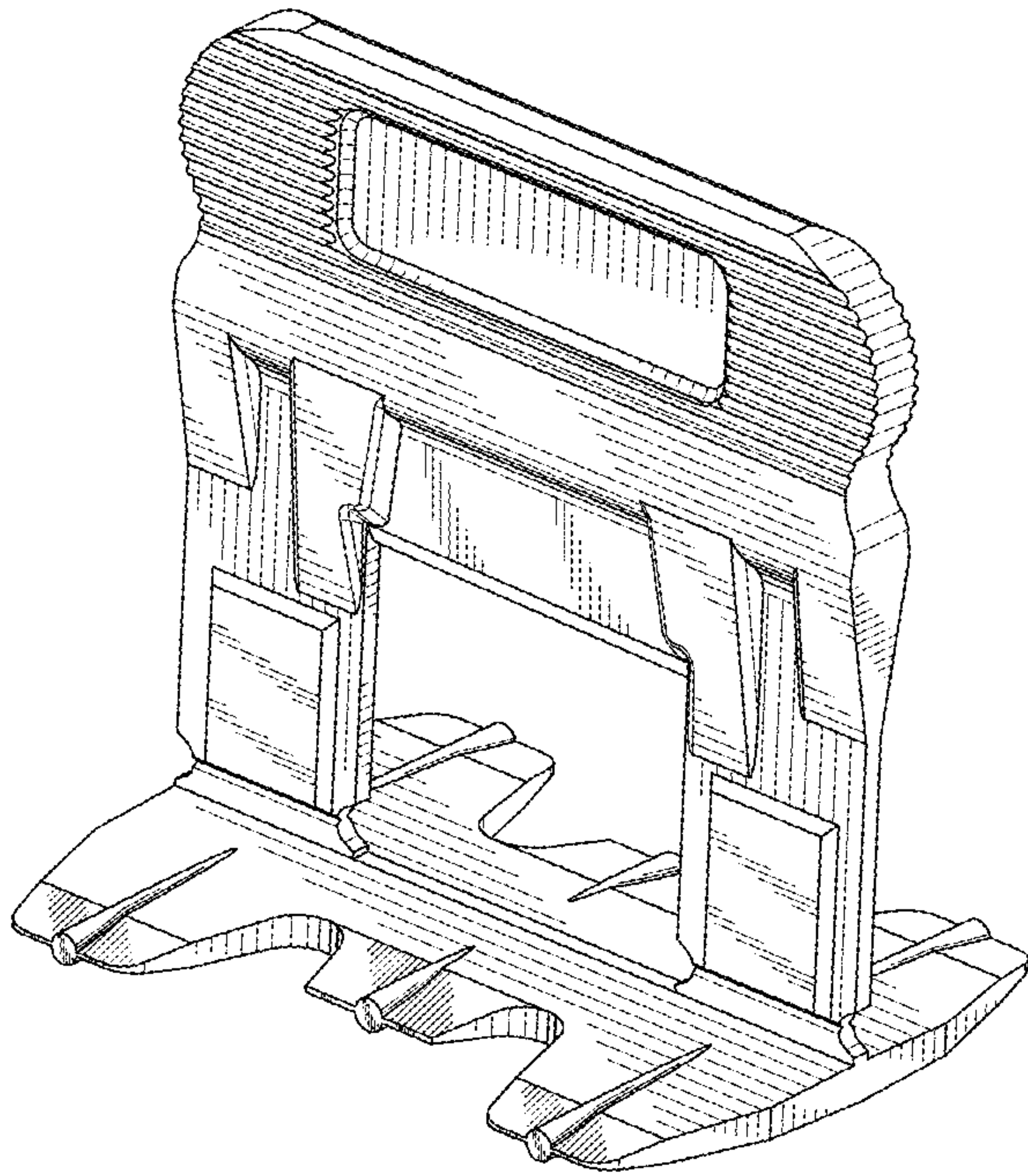


FIG. 25

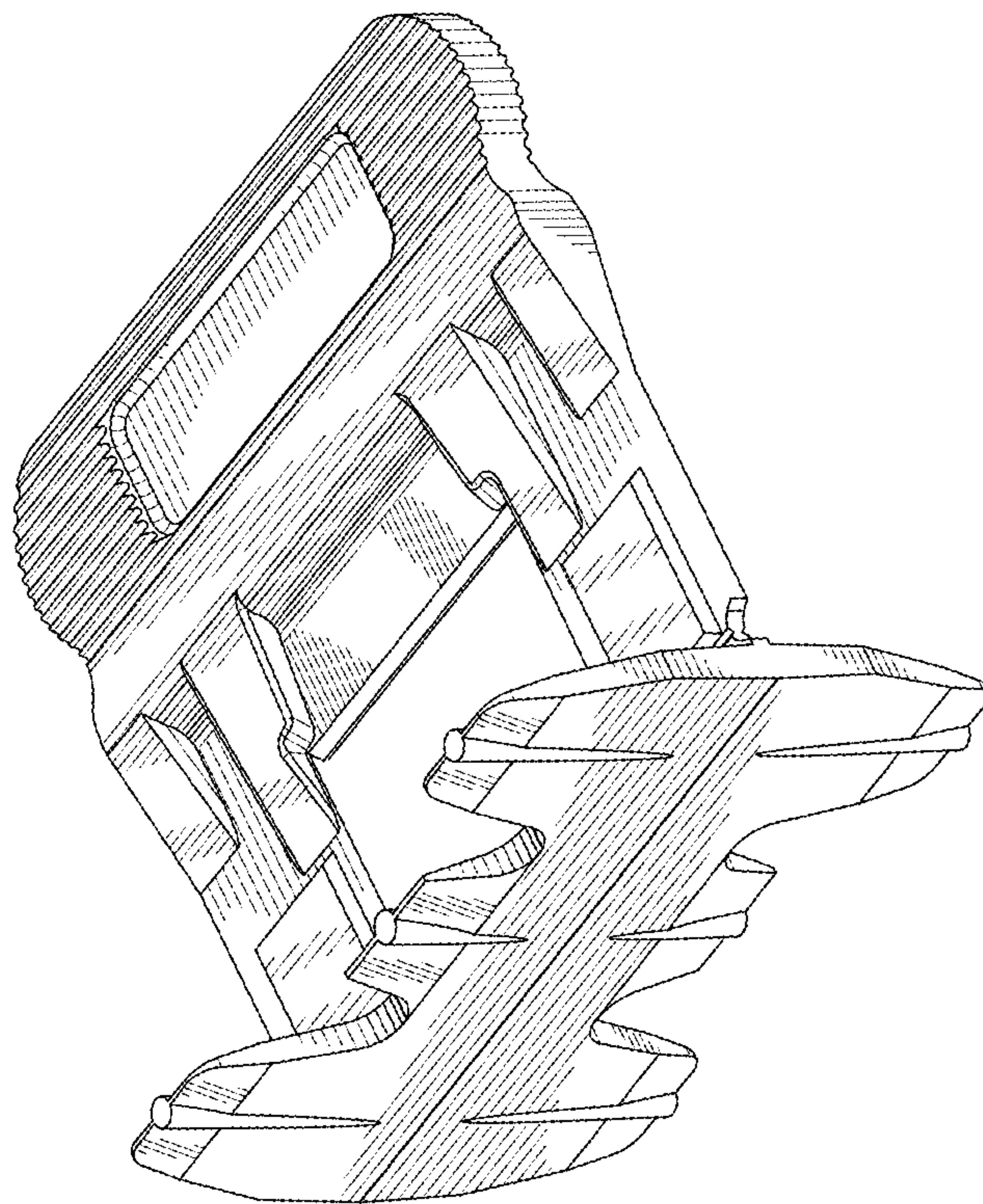


FIG. 26

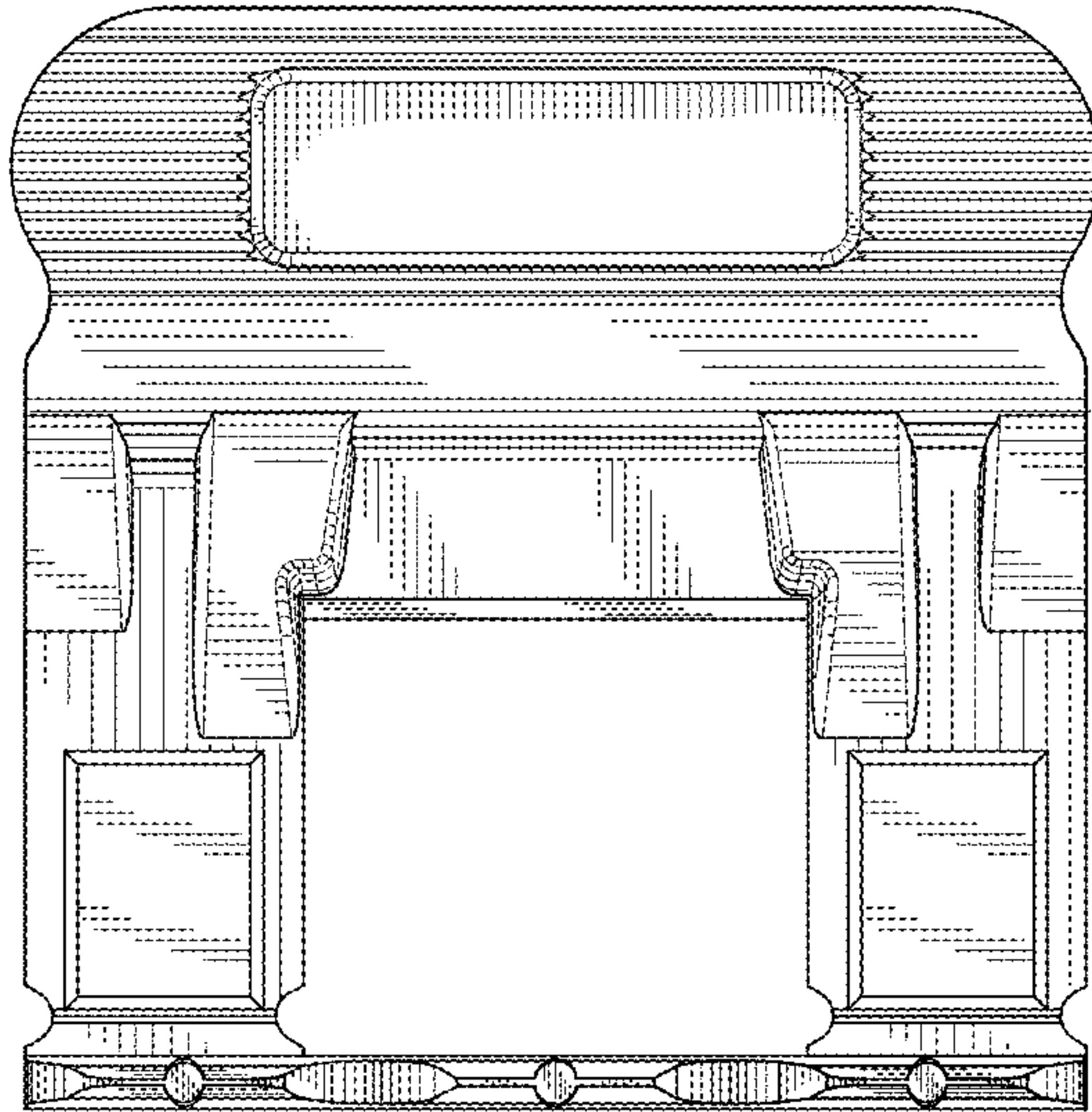


FIG. 27

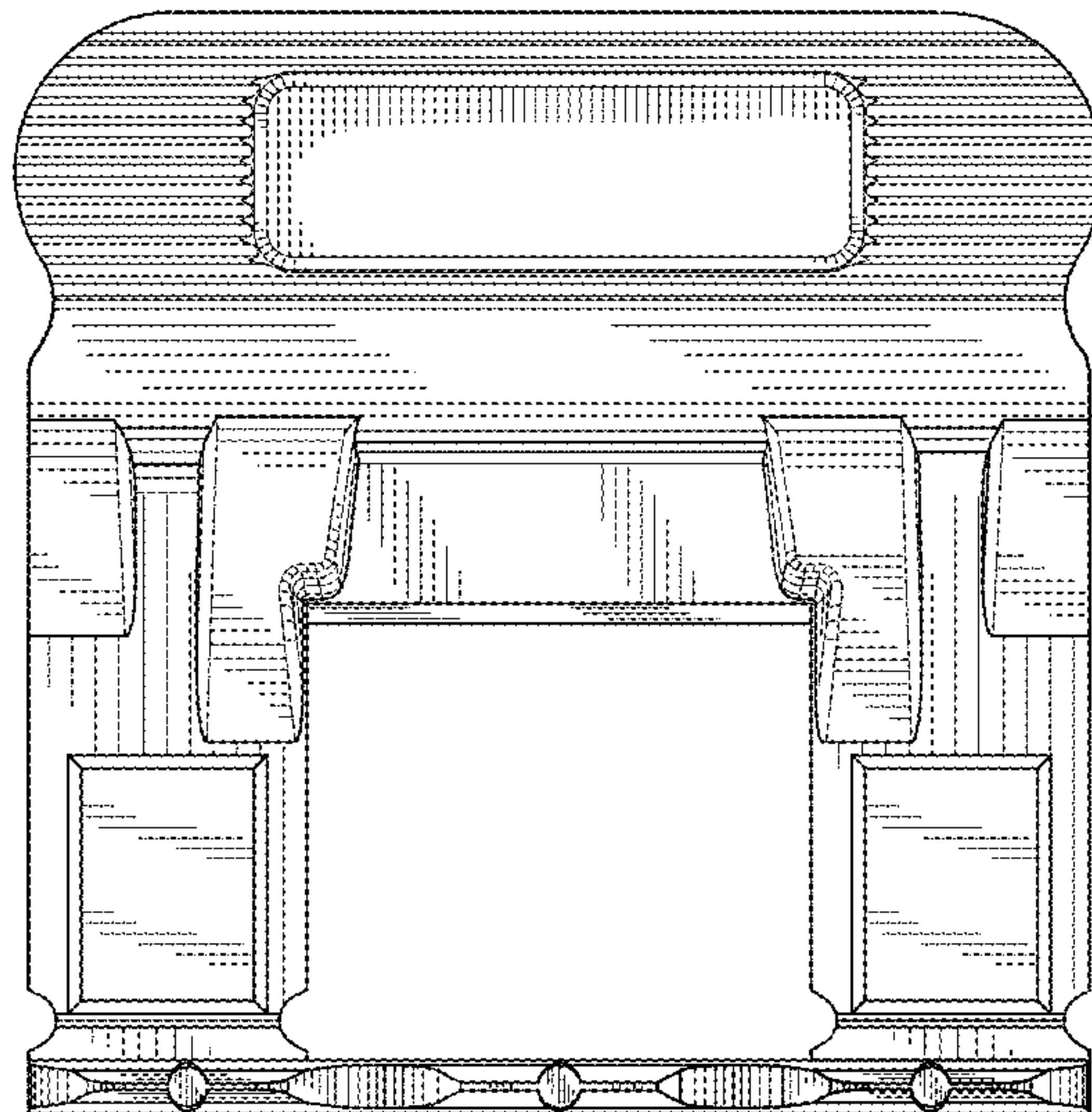


FIG. 28

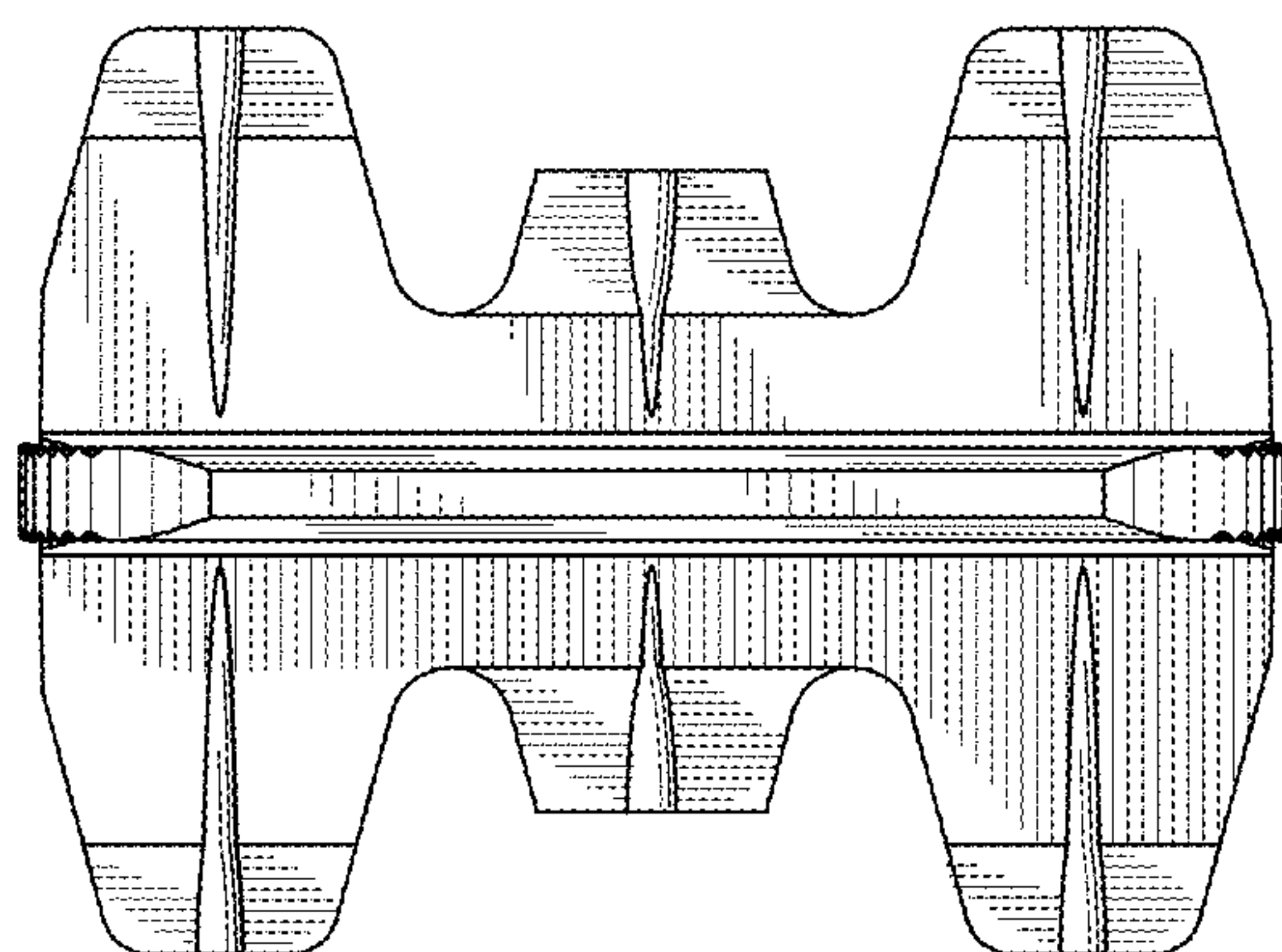


FIG. 29

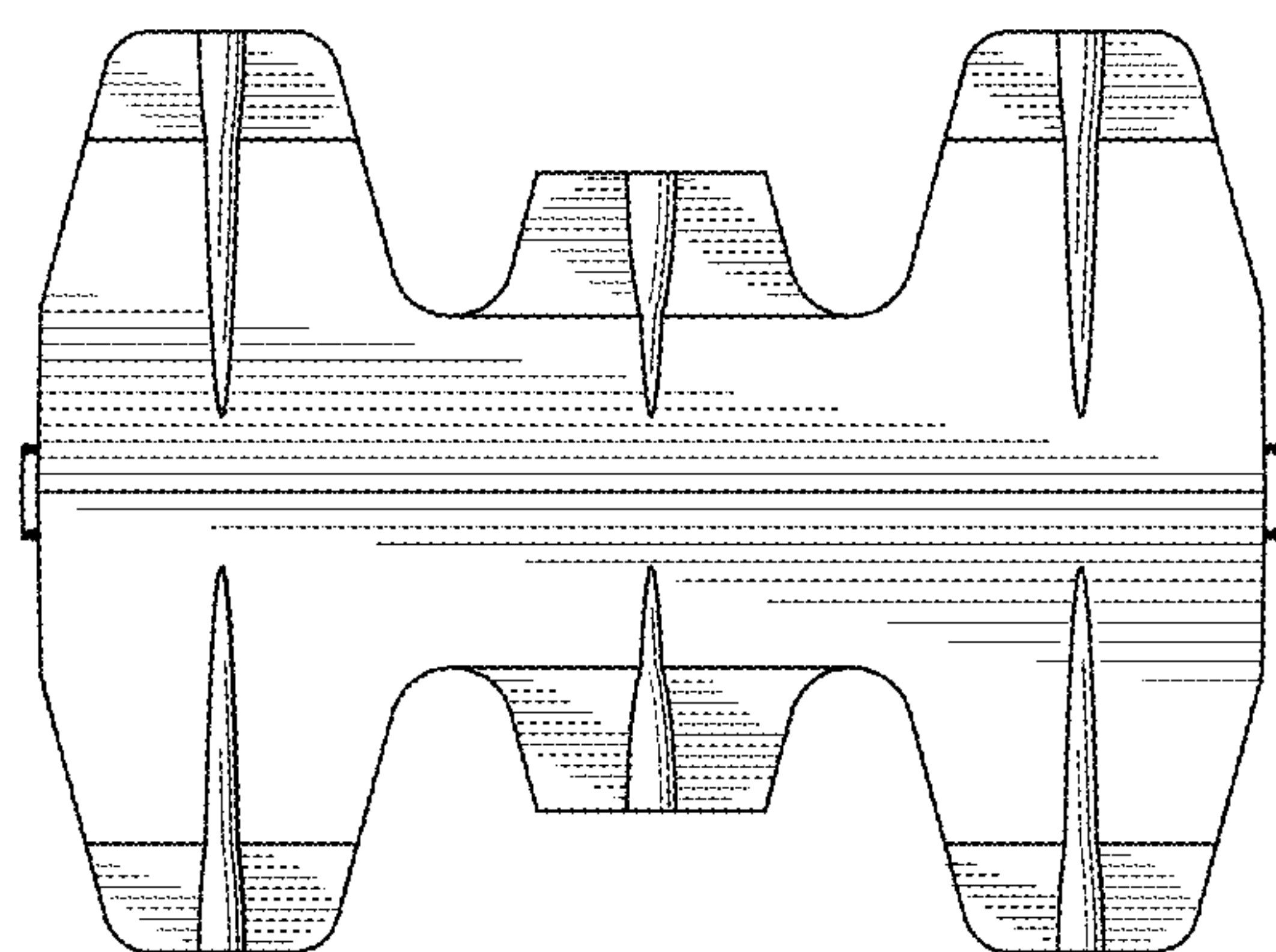


FIG. 30

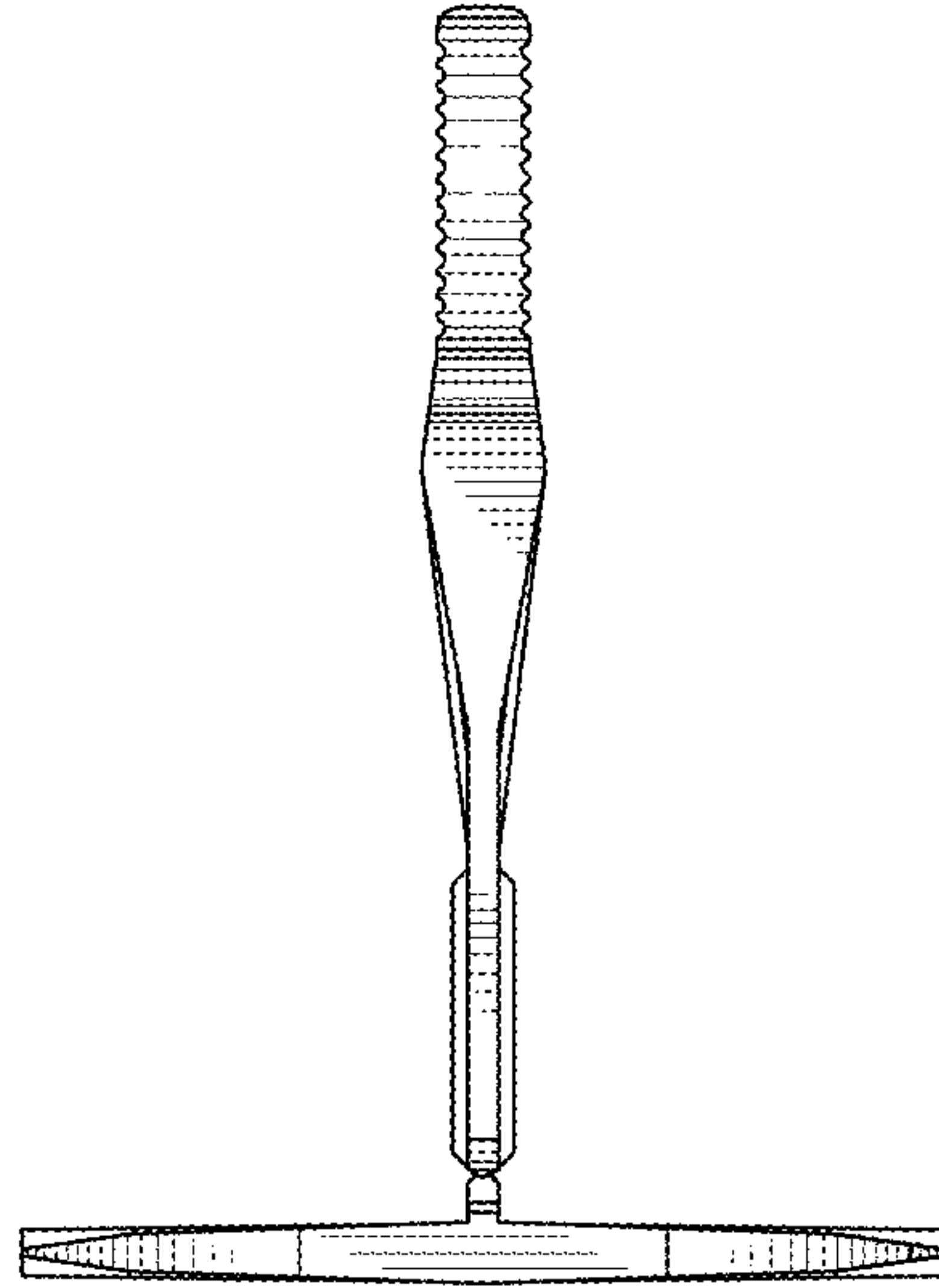


FIG. 31

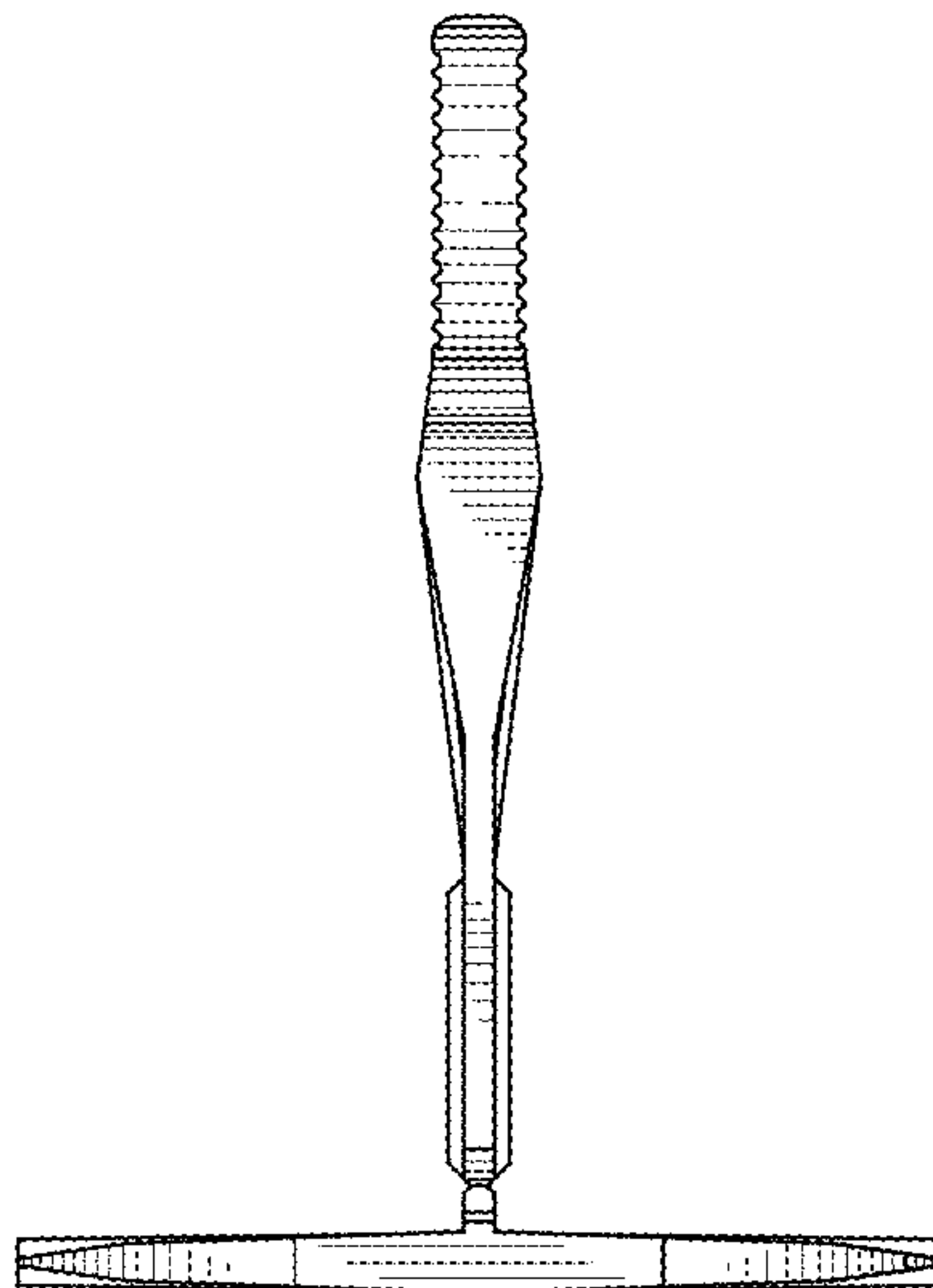


FIG. 32

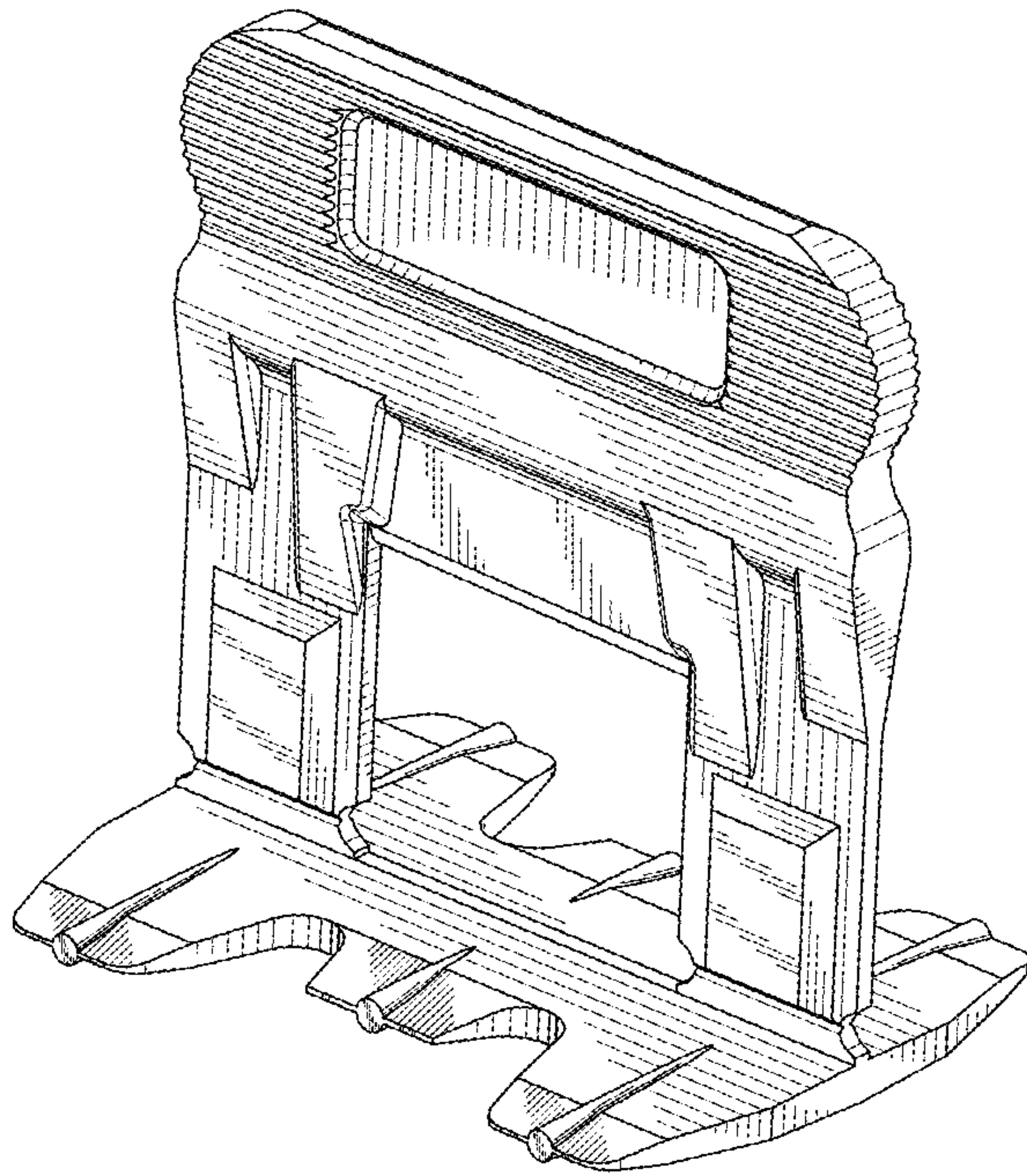


FIG. 33

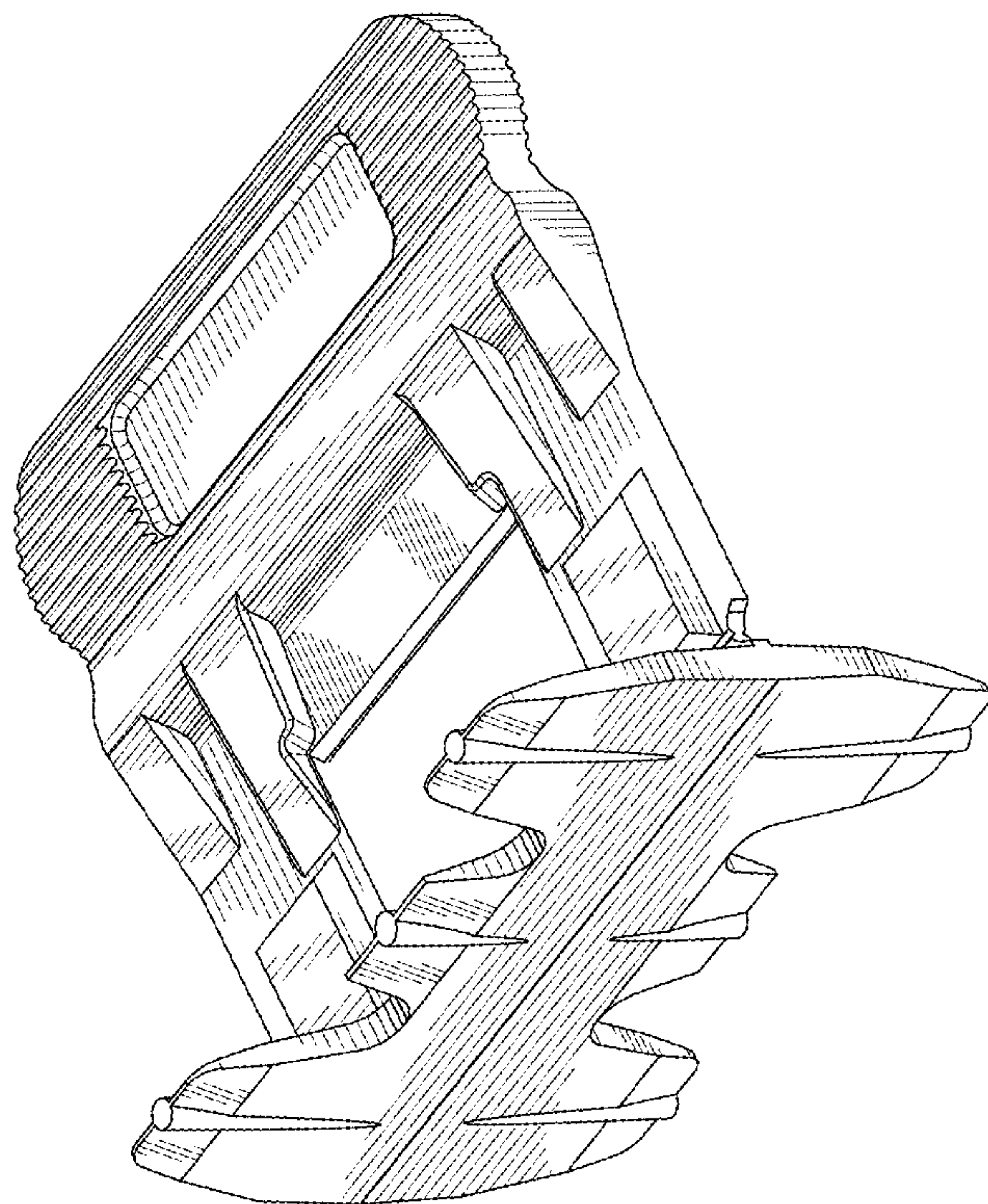


FIG. 34

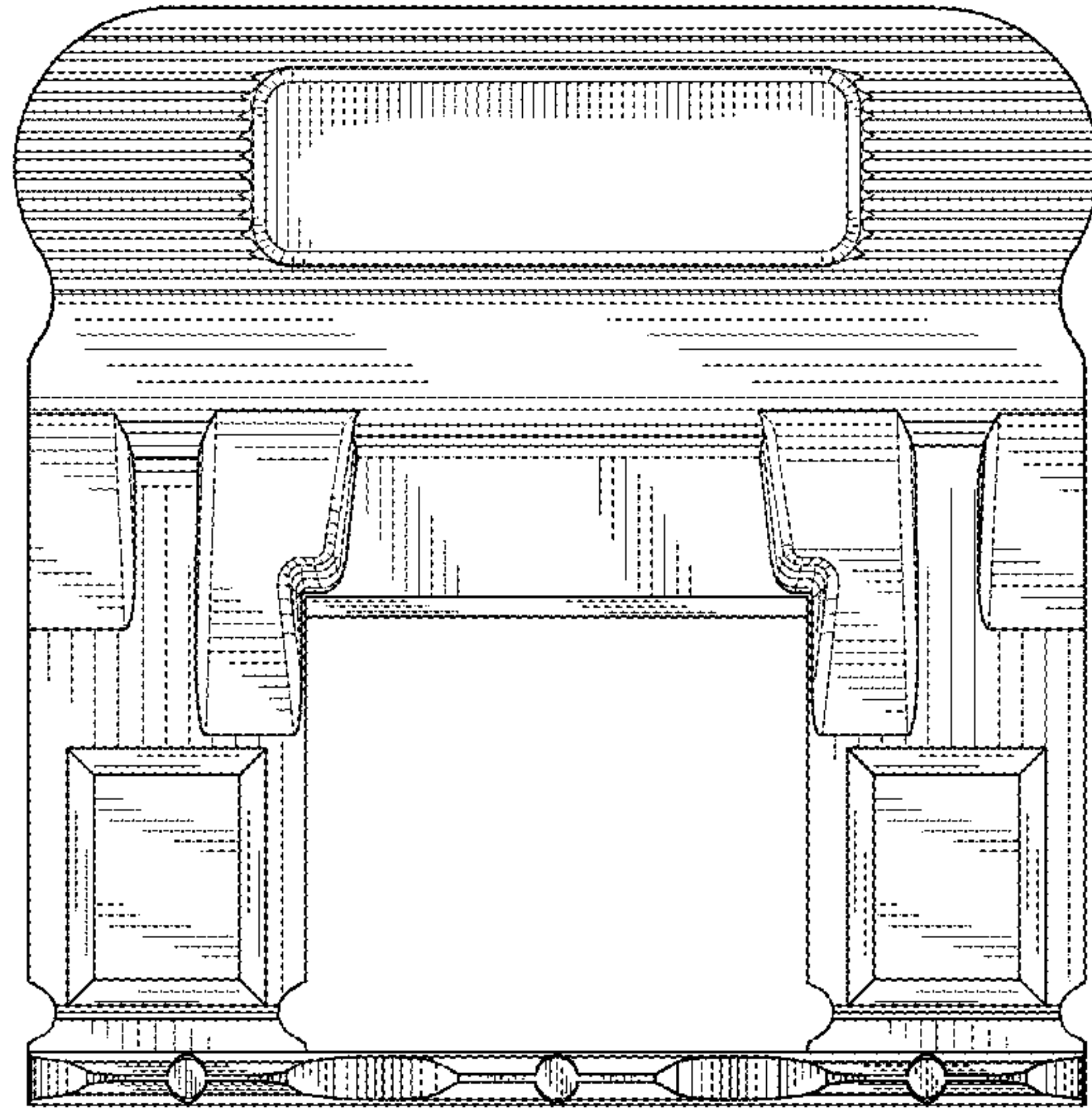


FIG. 35

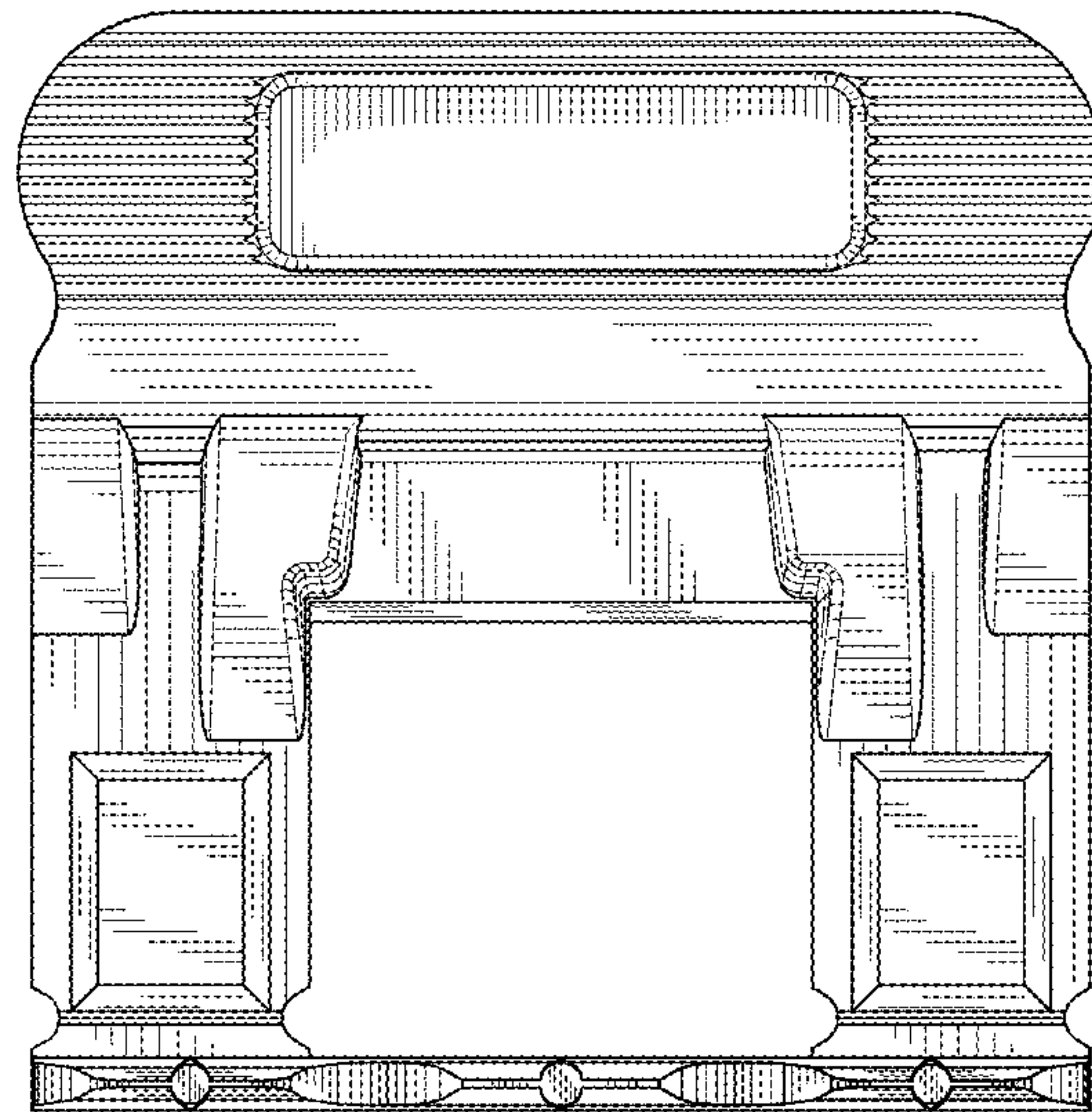


FIG. 36

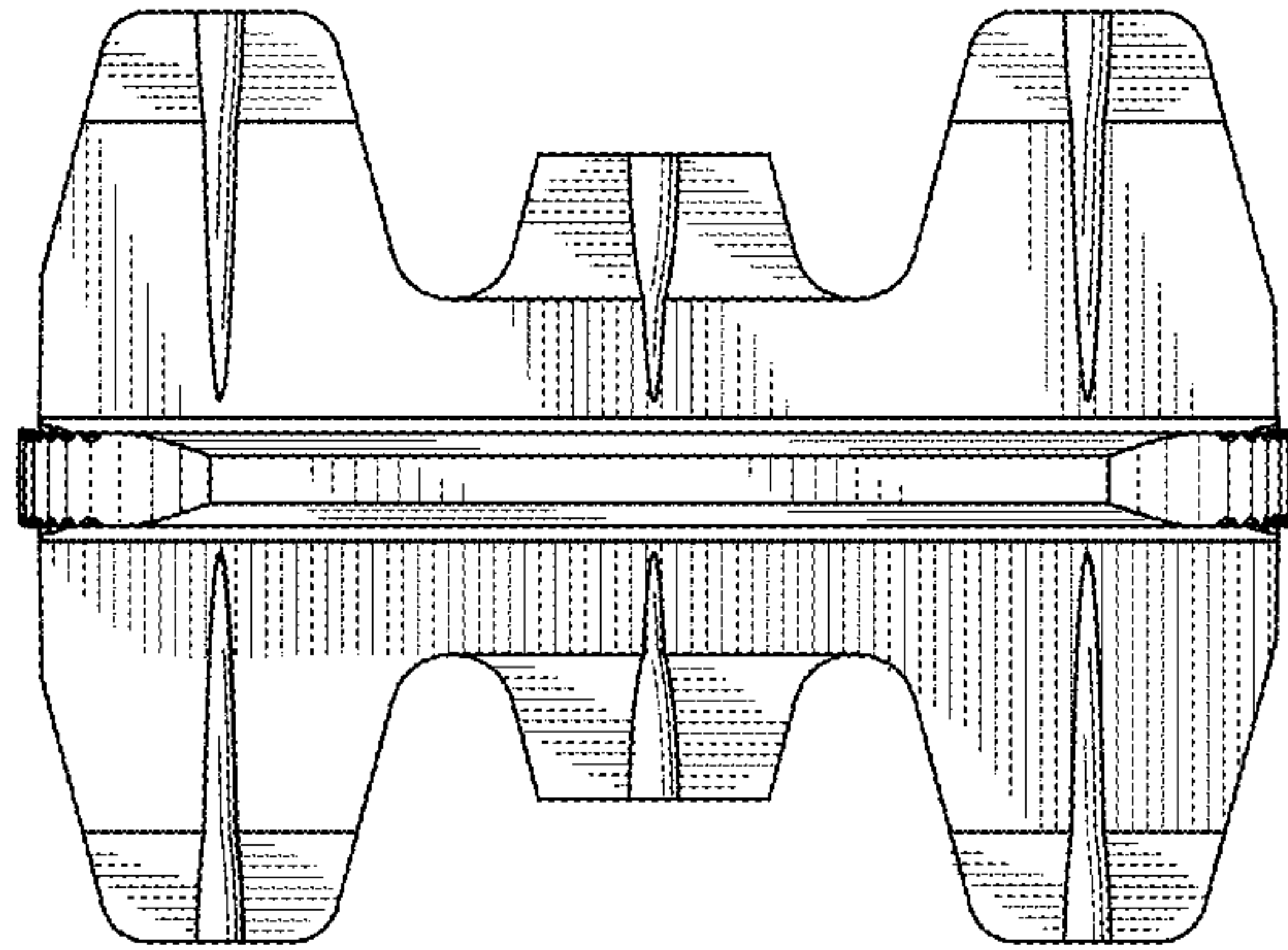


FIG. 37

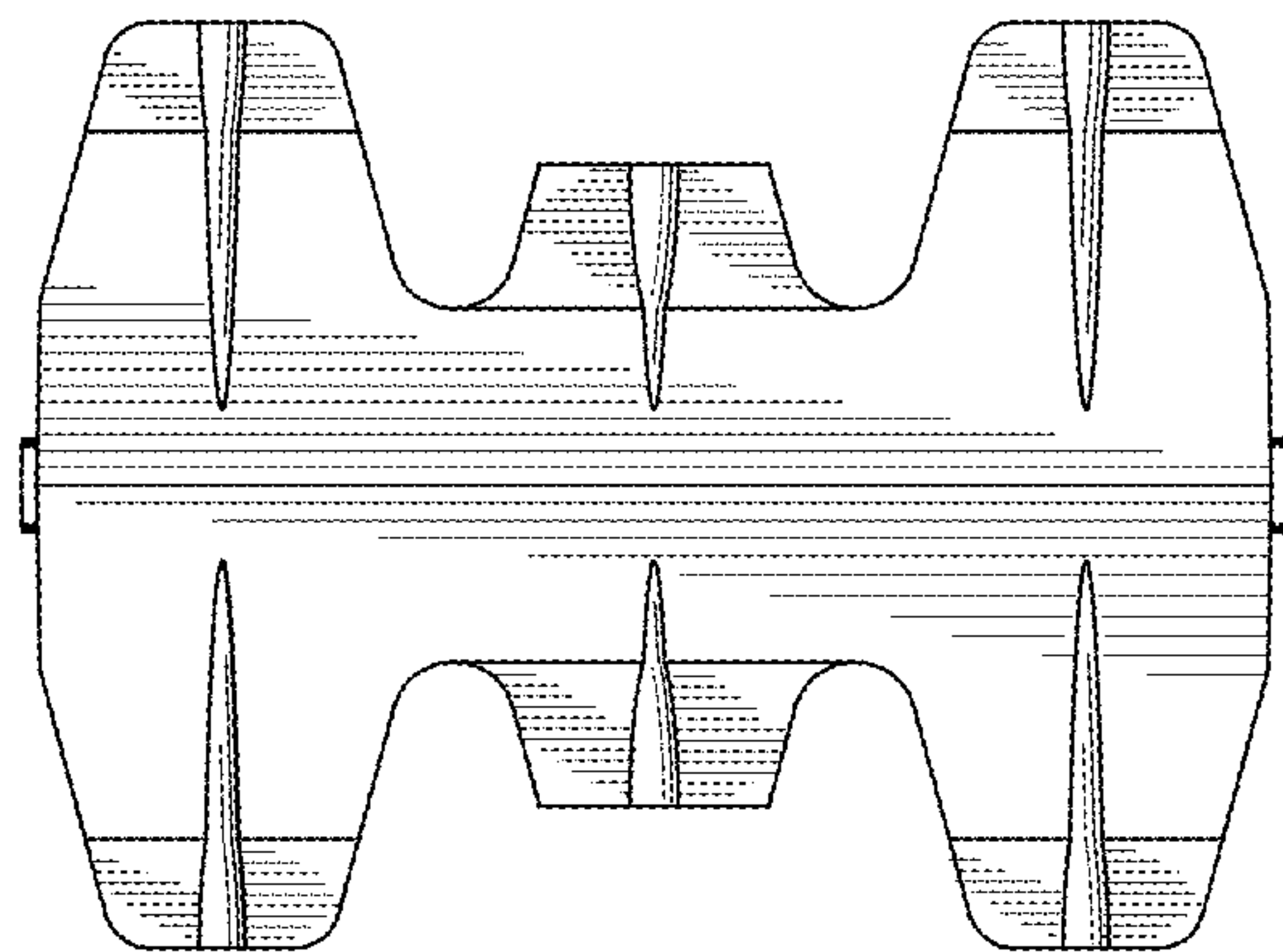


FIG. 38

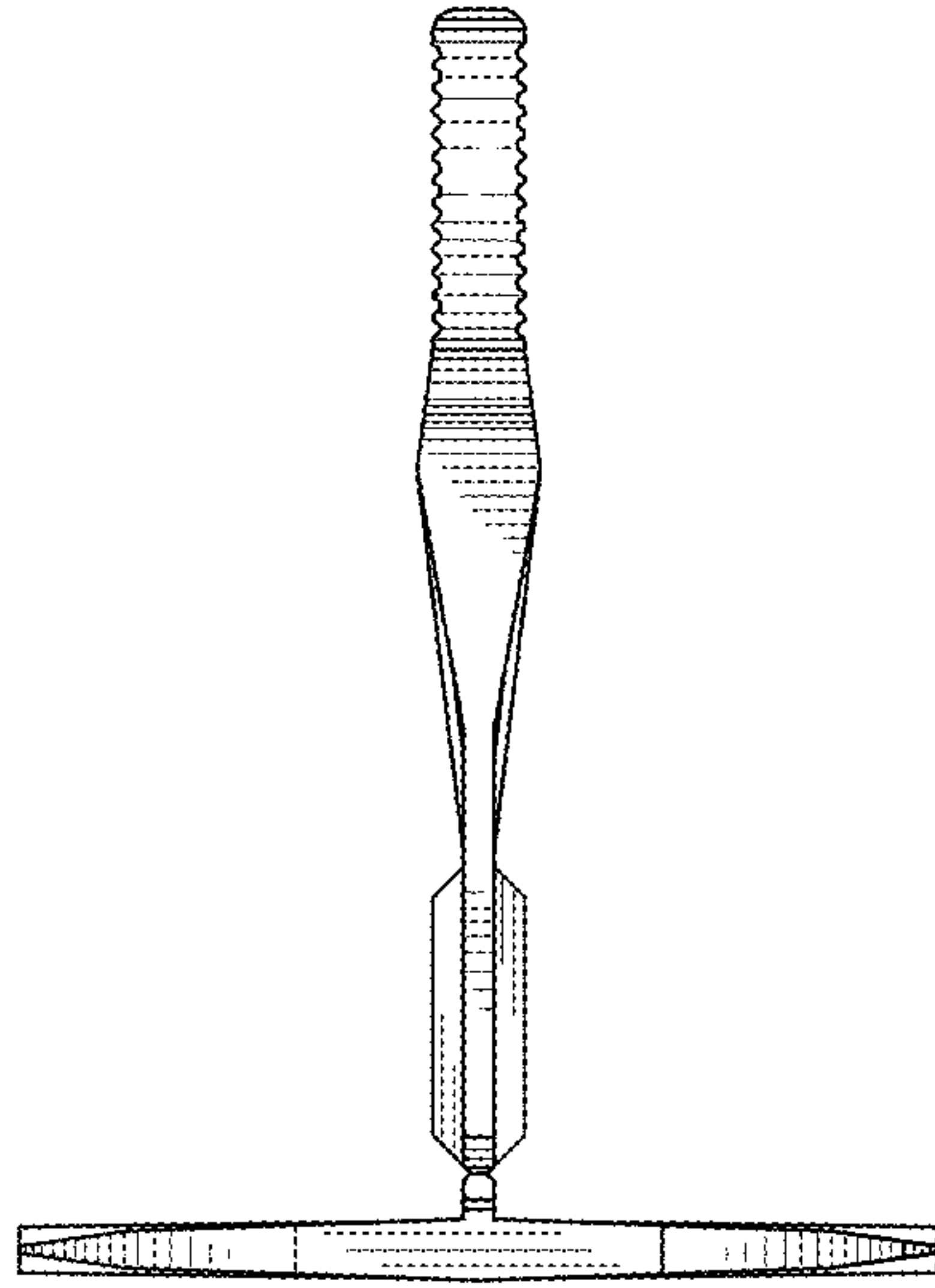


FIG. 39

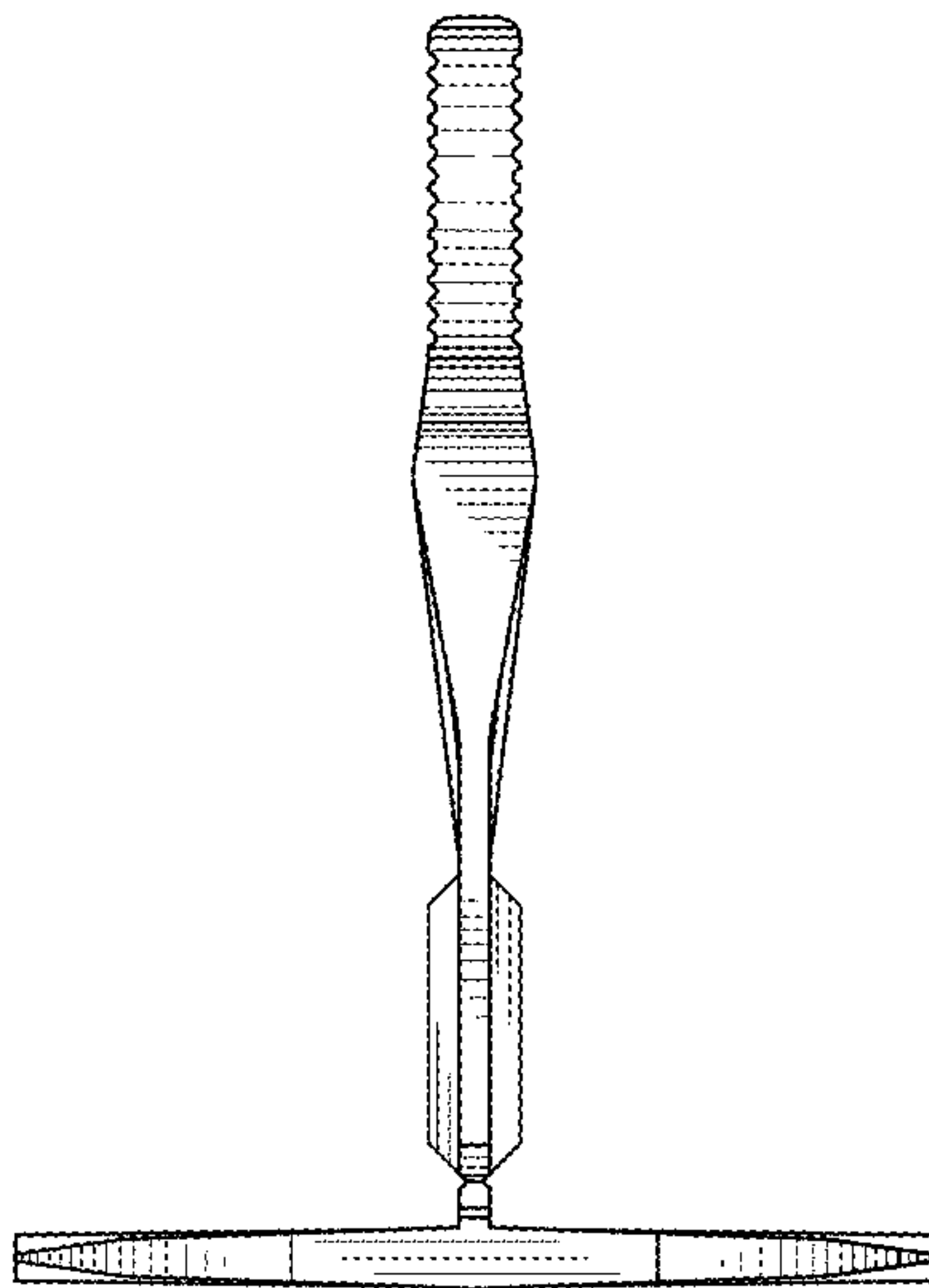


FIG. 40

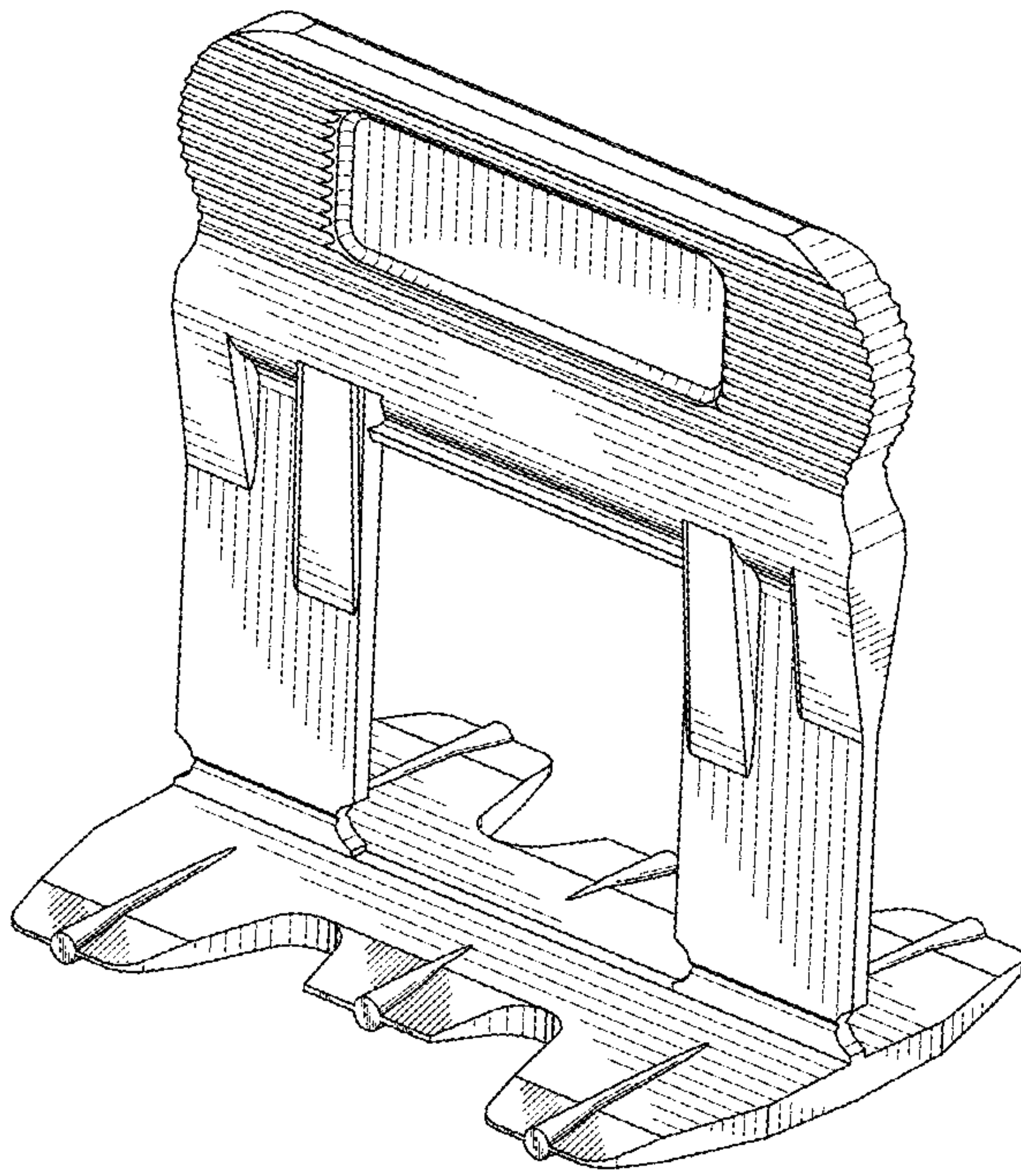


FIG. 41

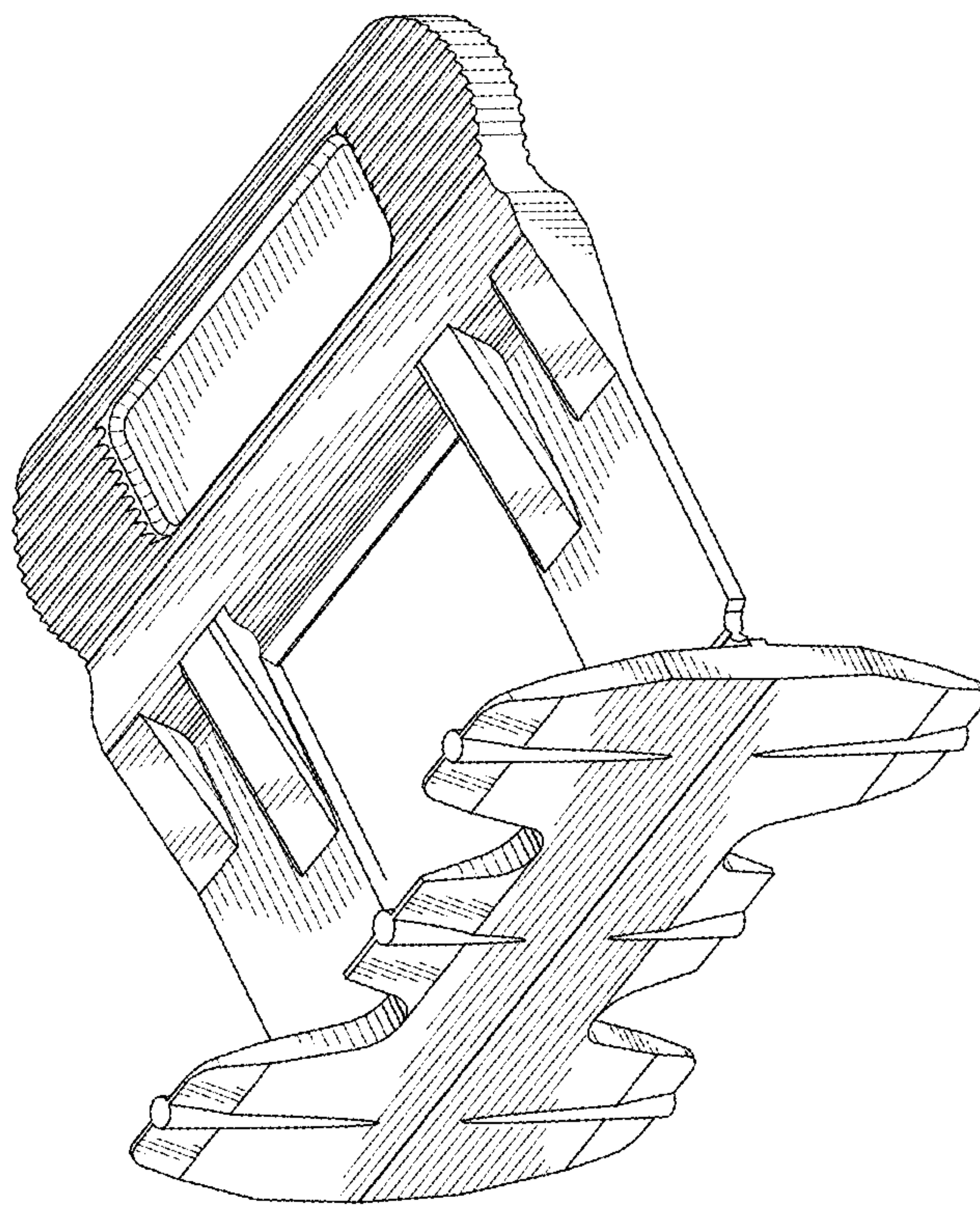


FIG. 42

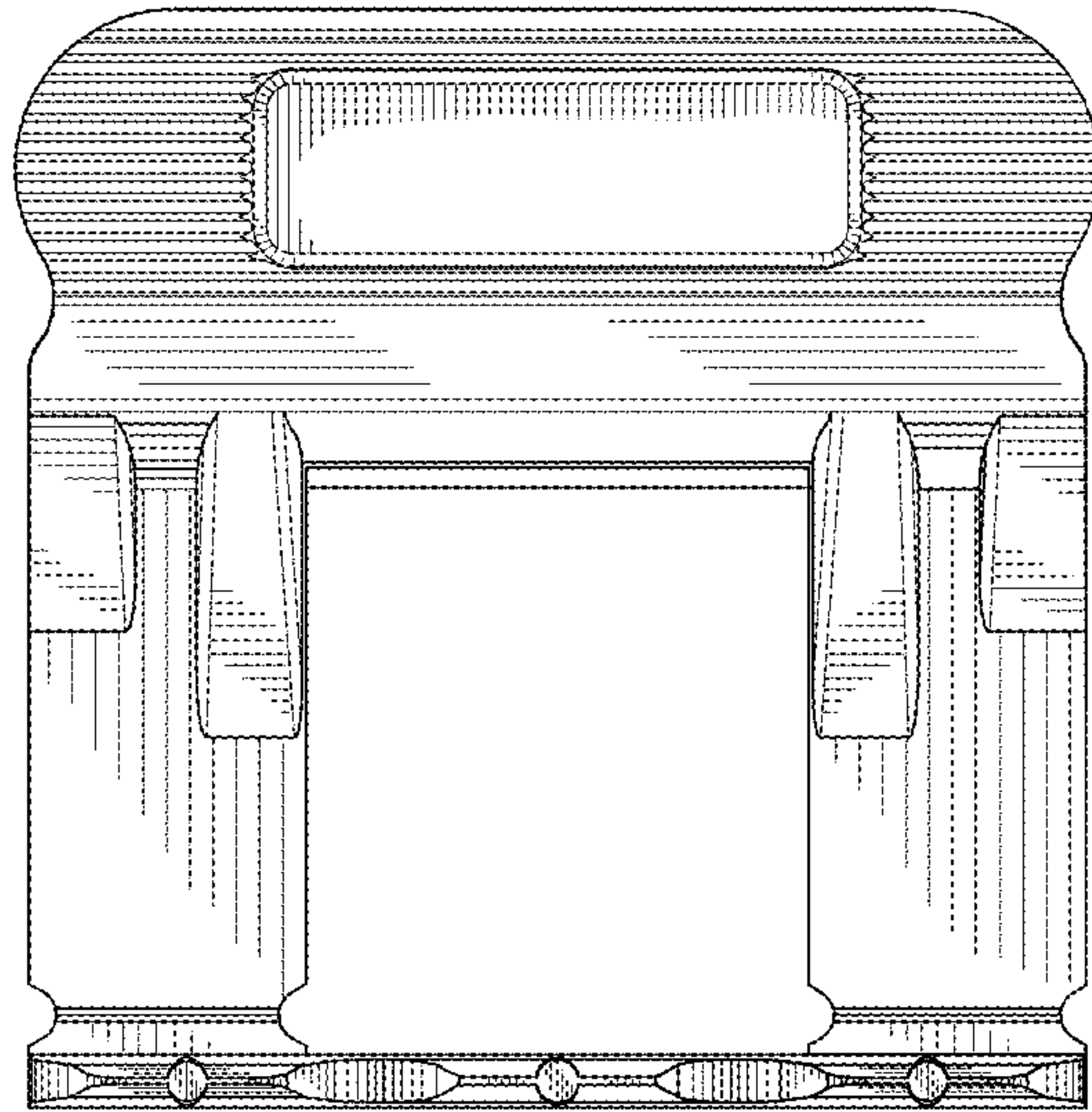


FIG. 43

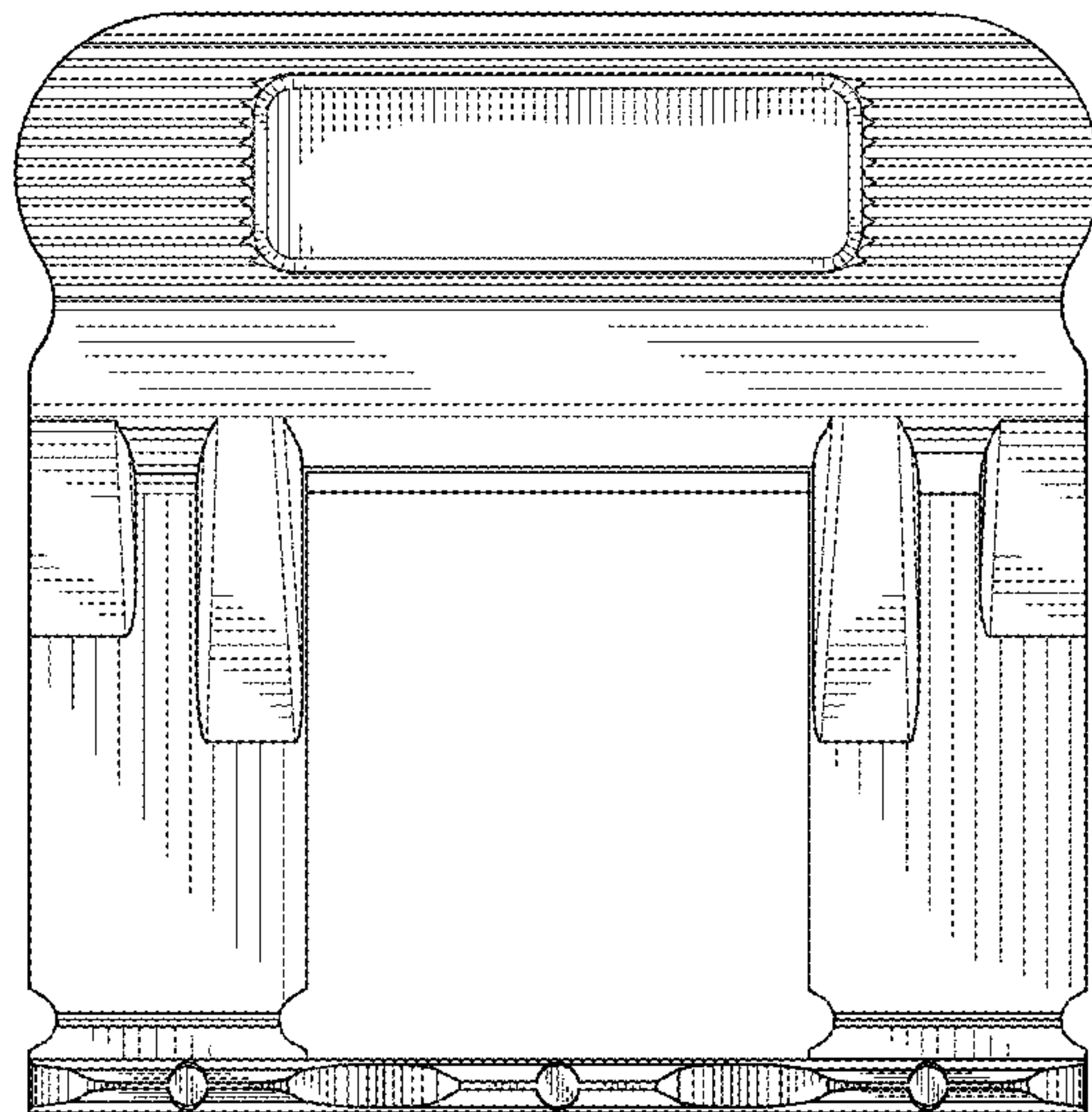


FIG. 44

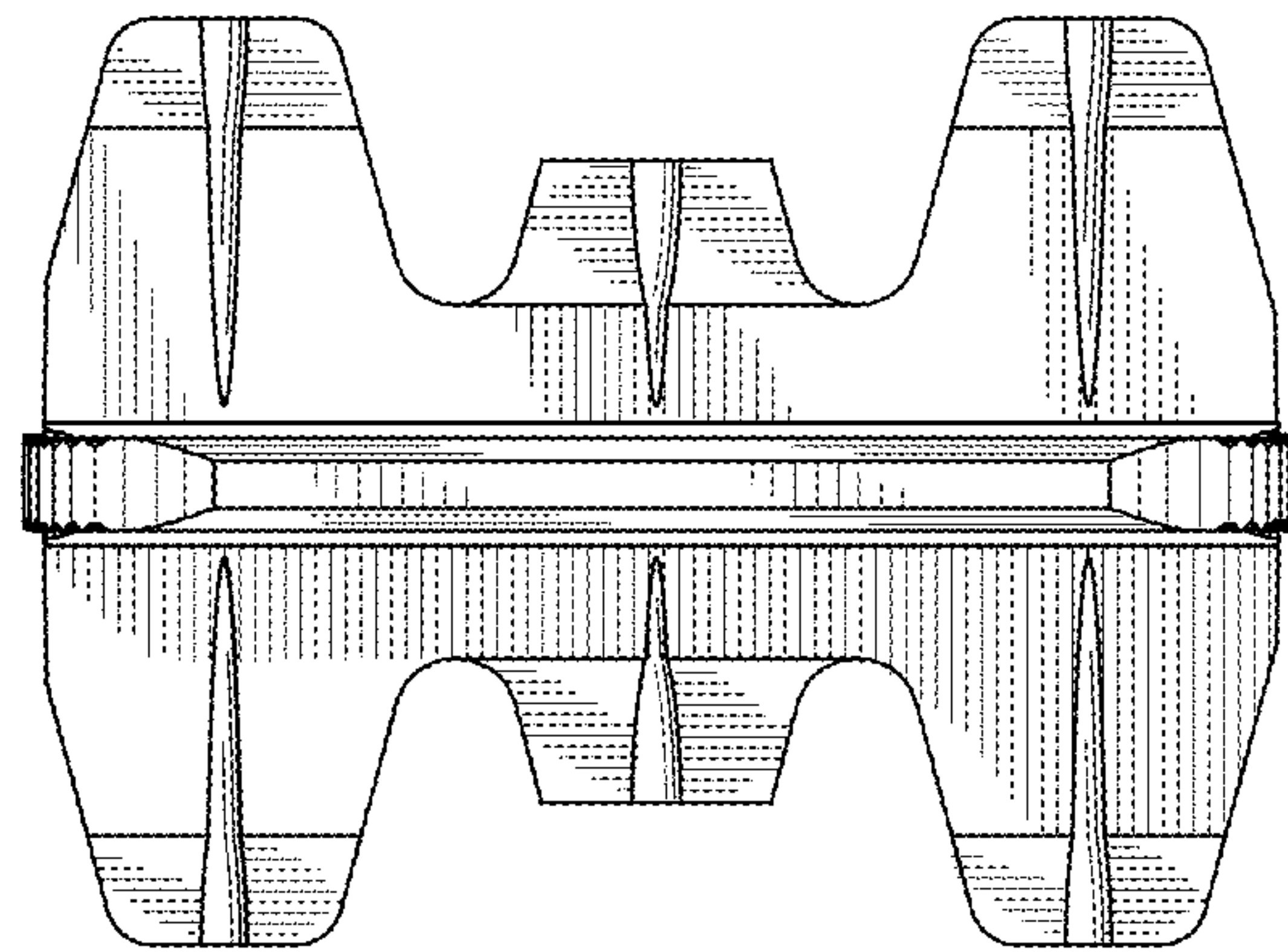


FIG. 45

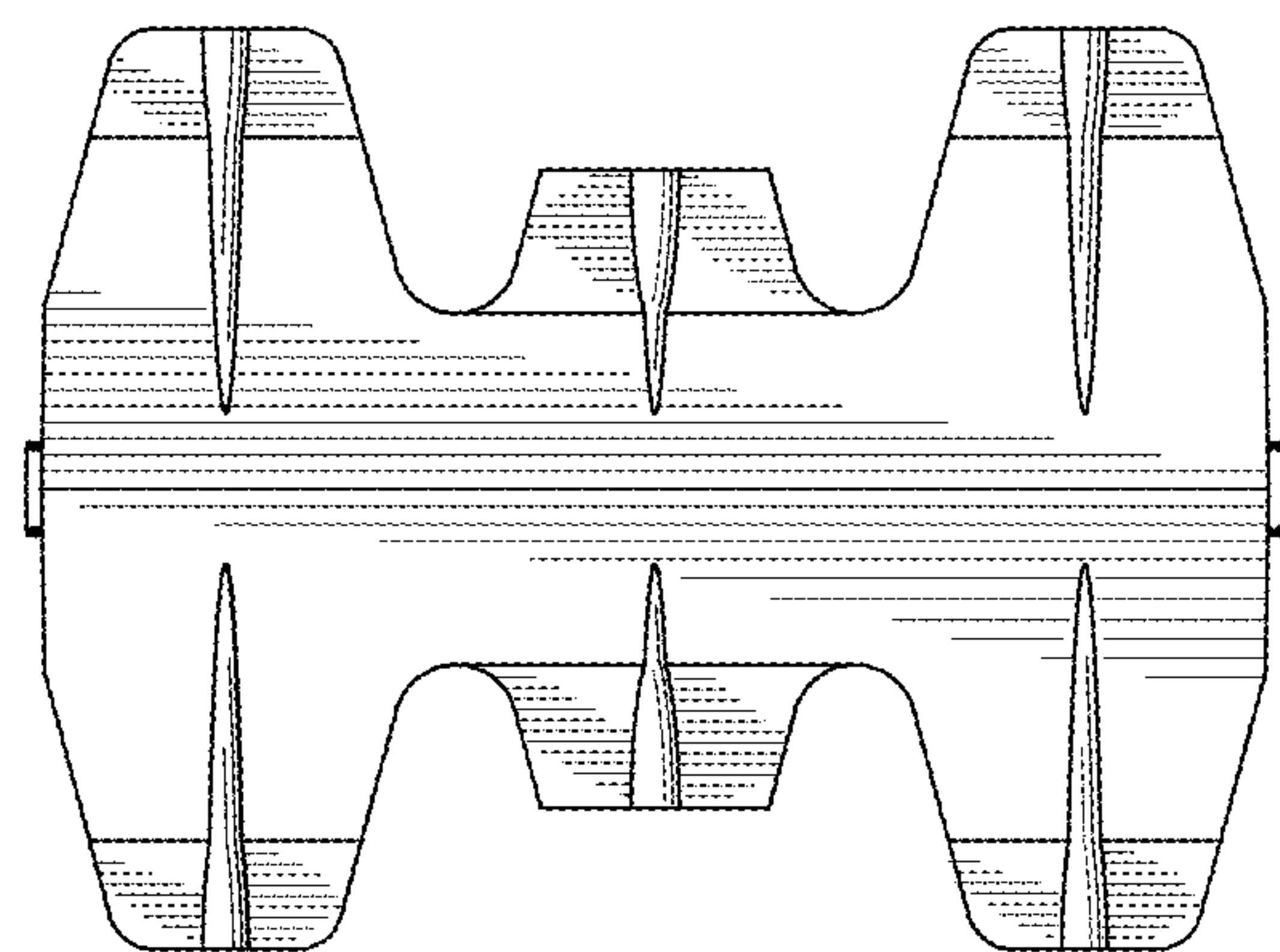


FIG. 46

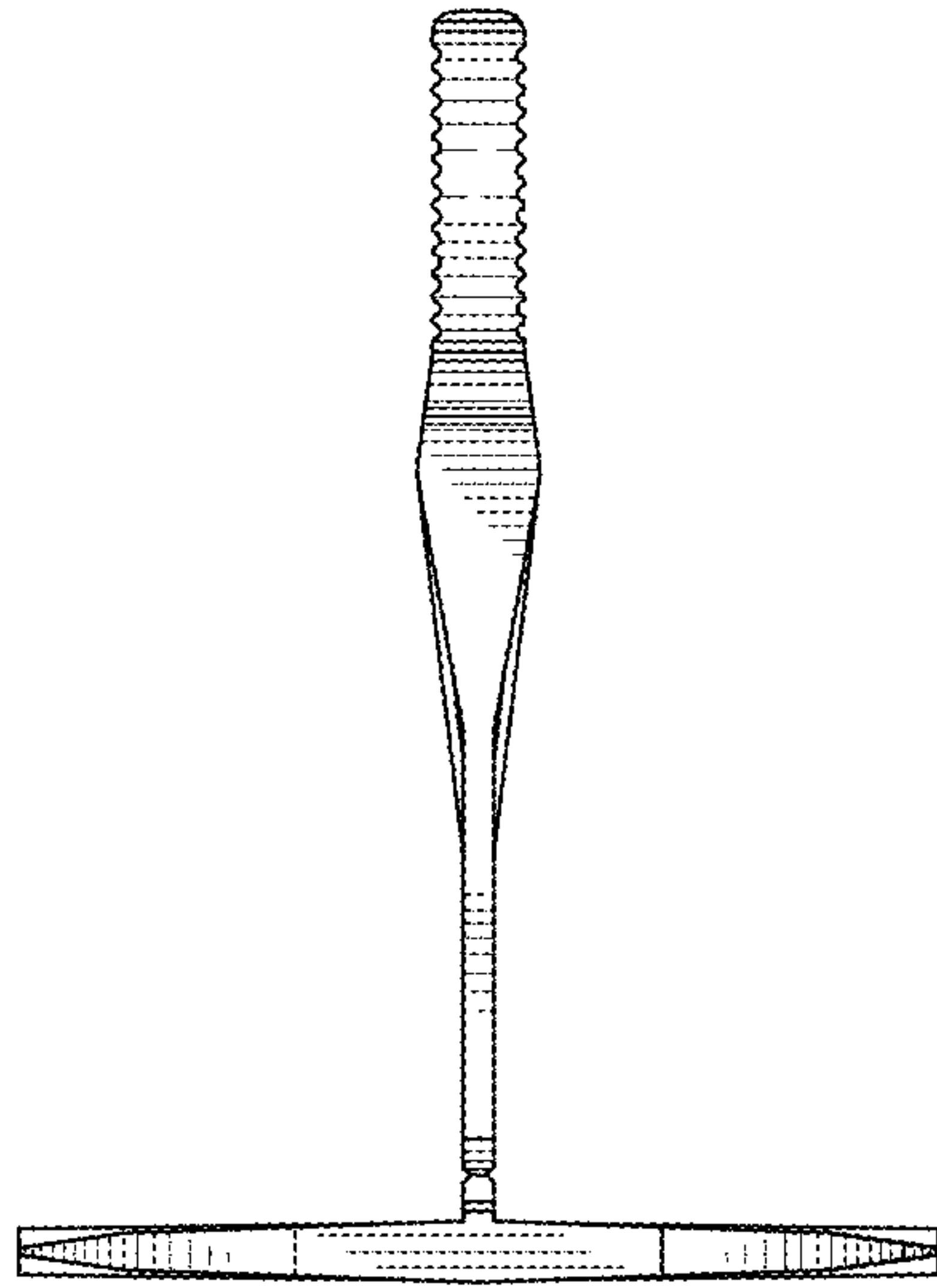


FIG. 47

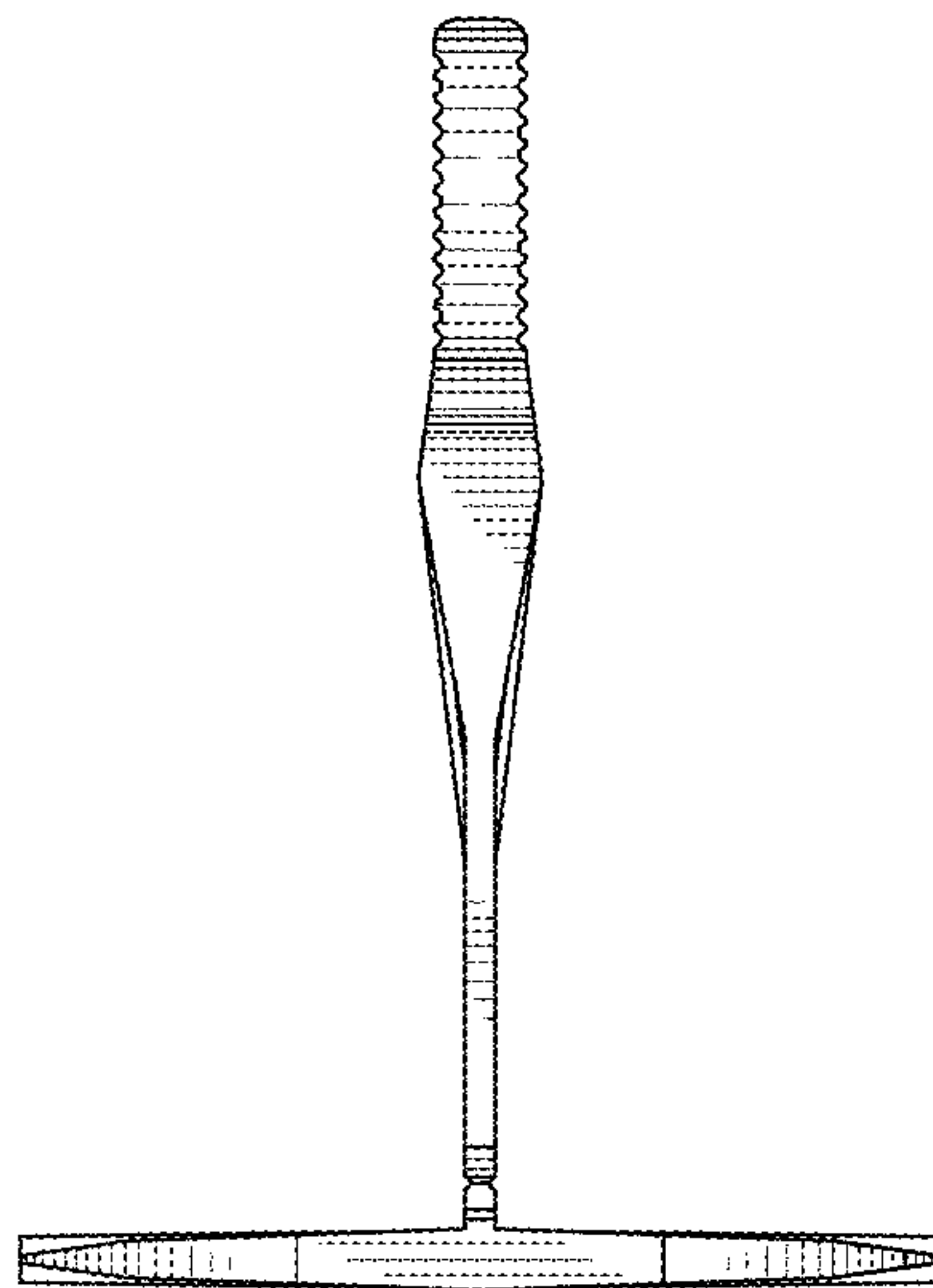


FIG. 48

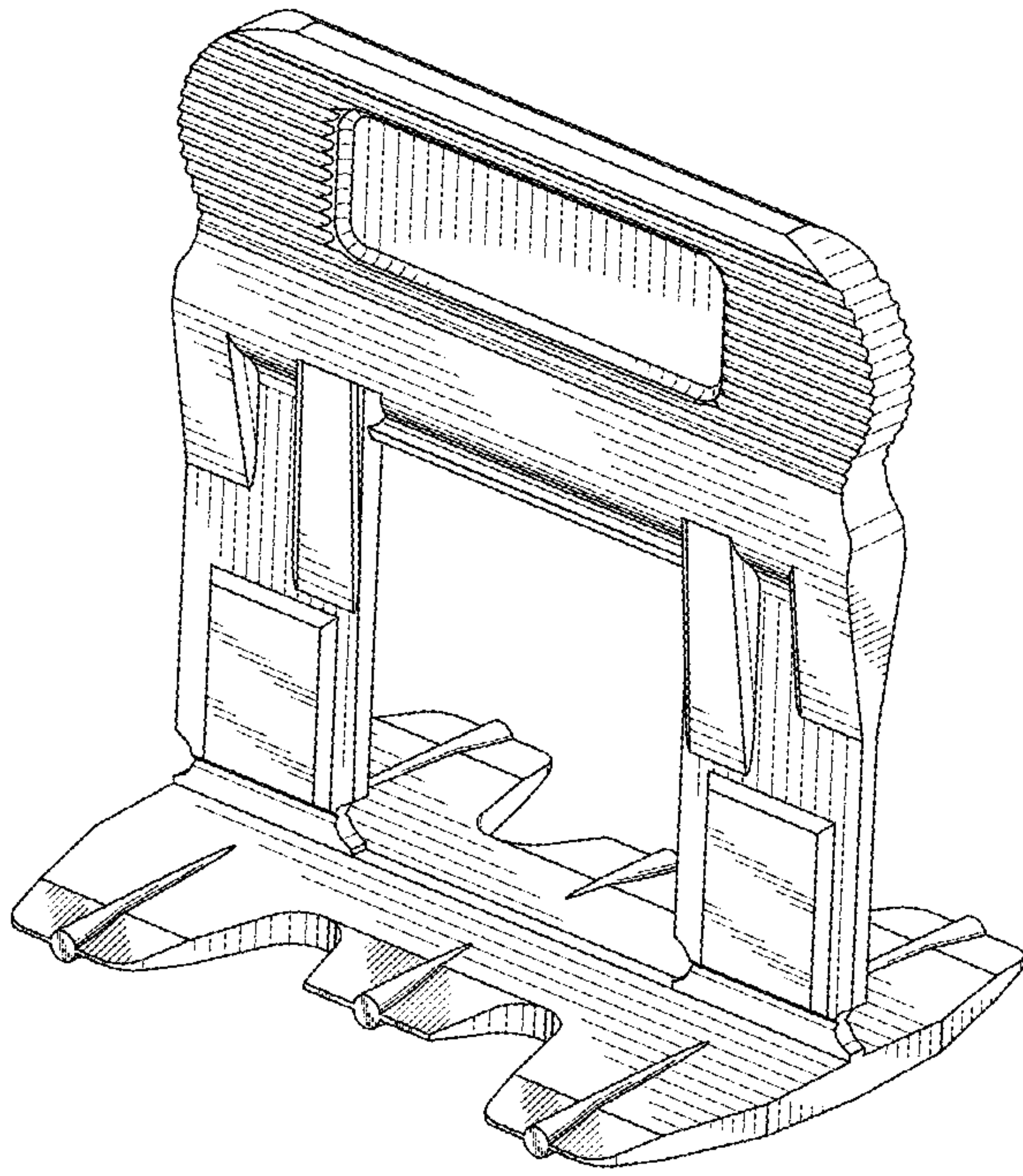


FIG. 49

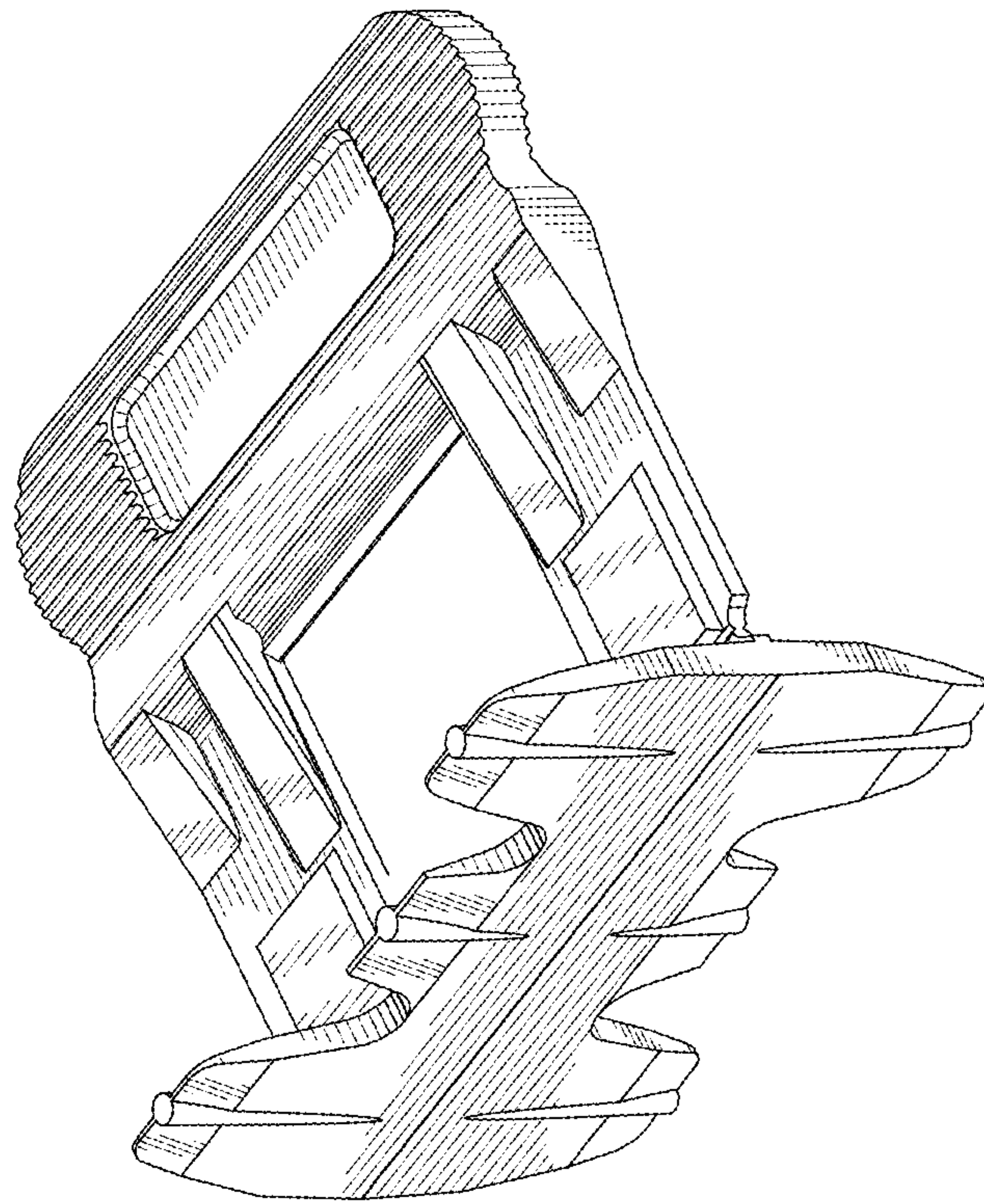


FIG. 50

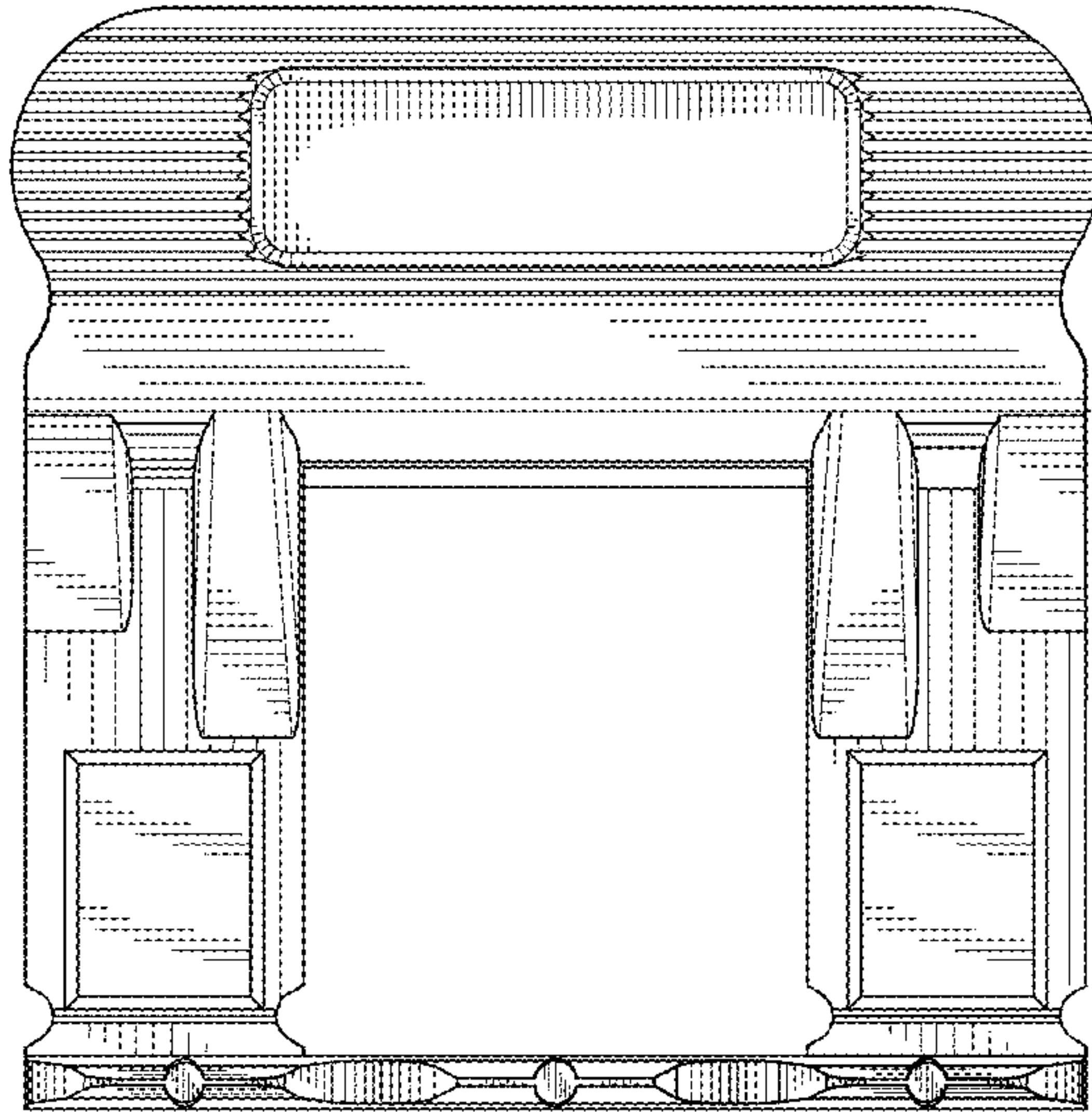


FIG. 51

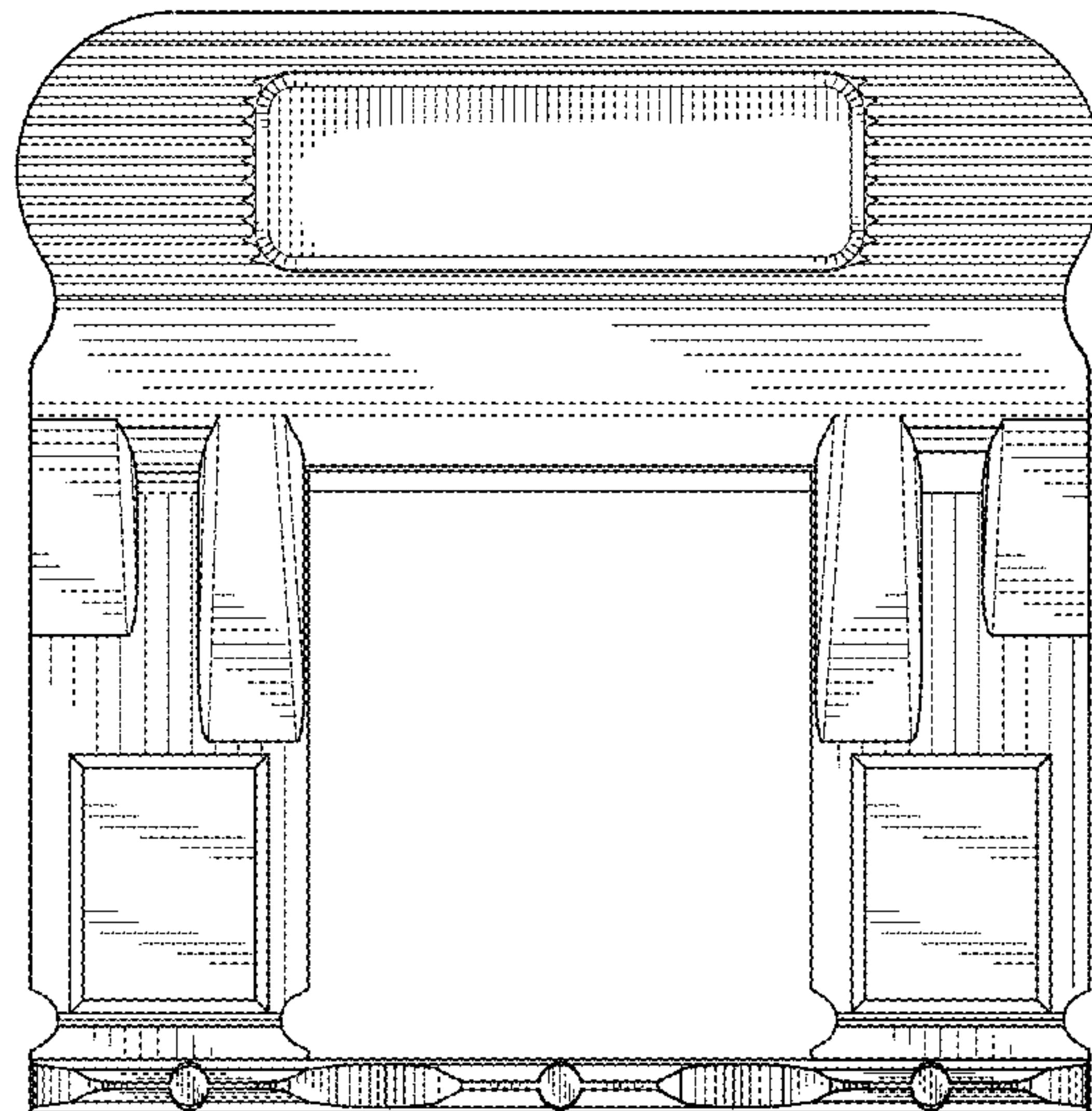


FIG. 52

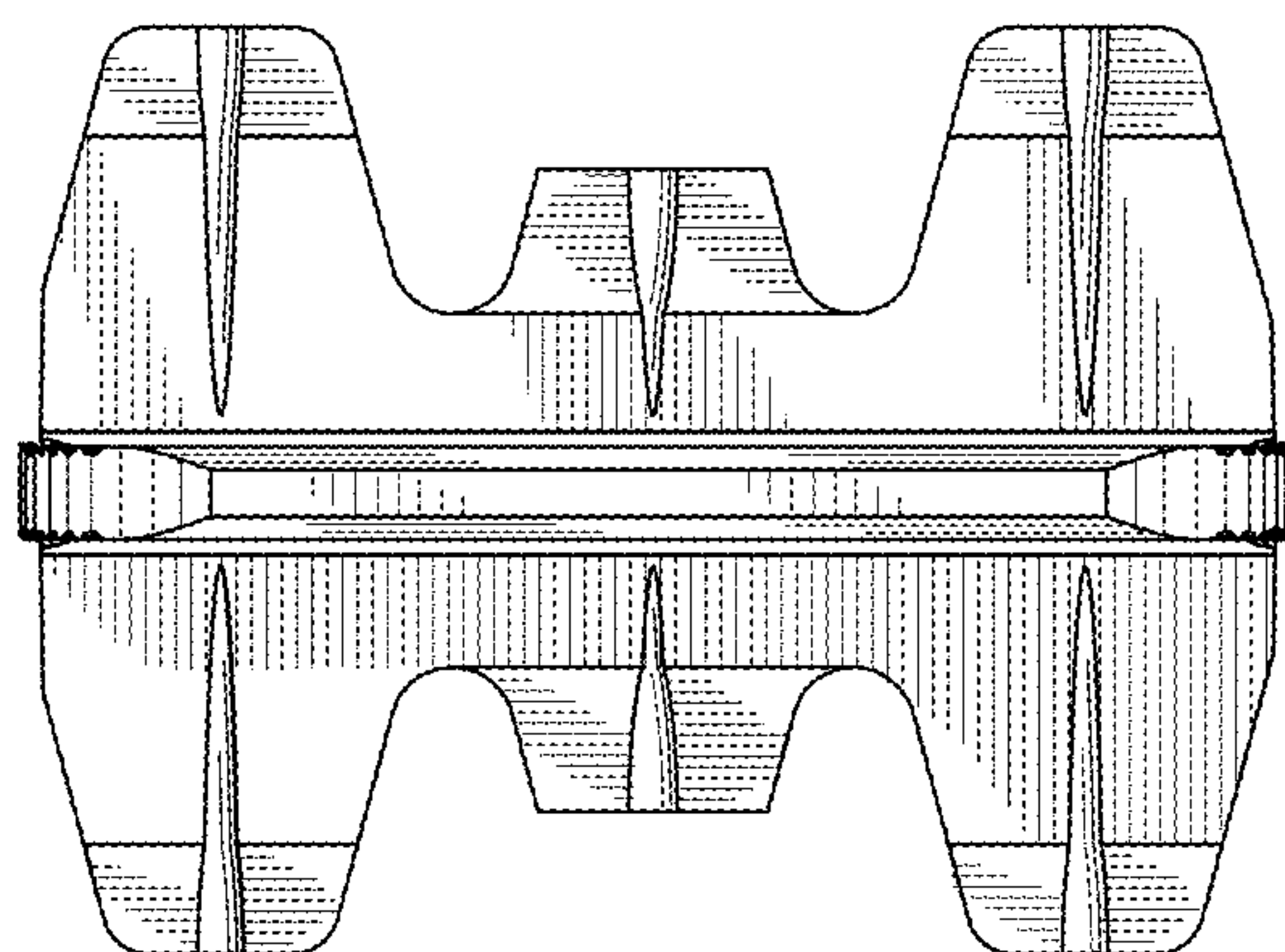


FIG. 53

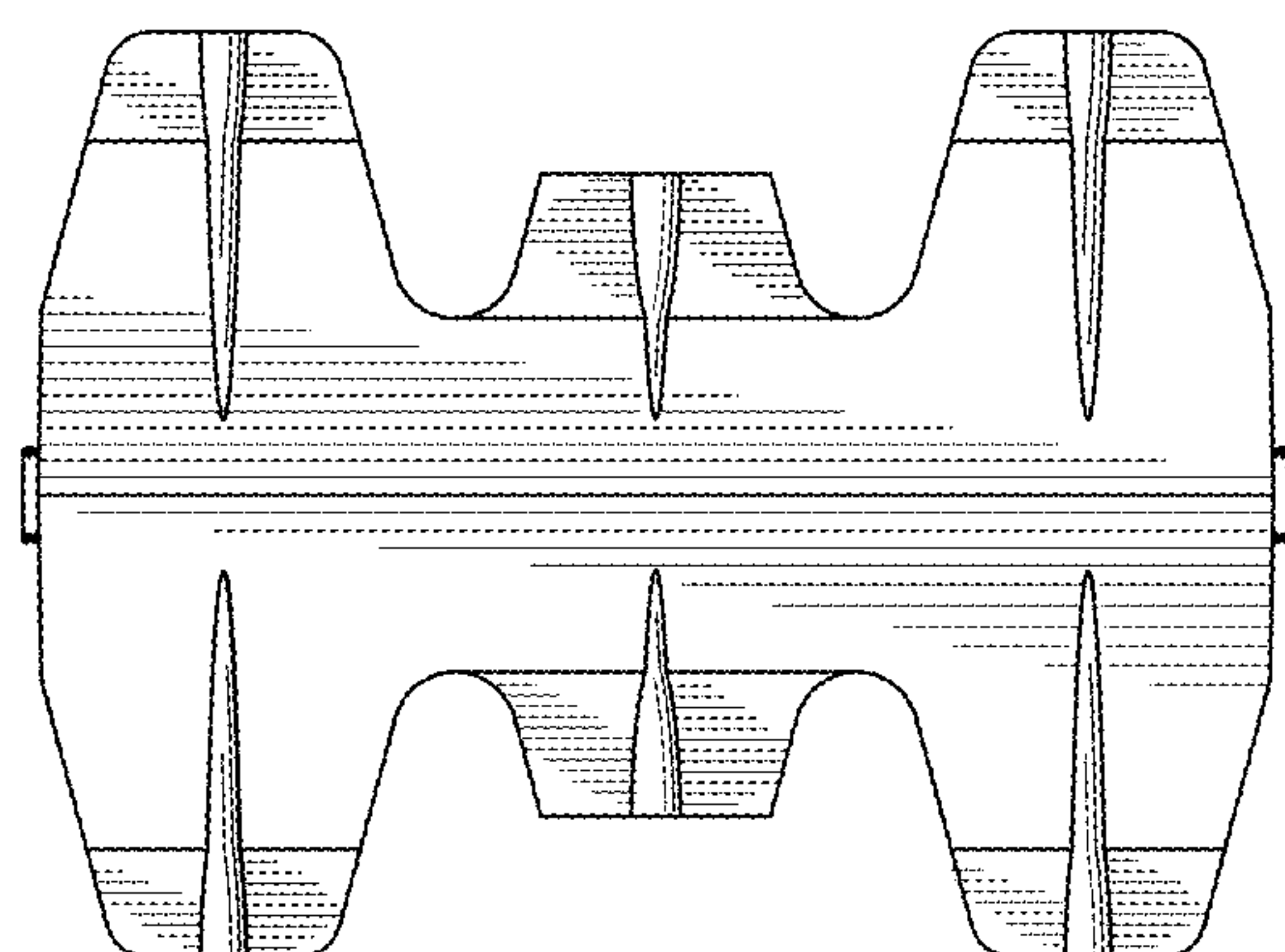


FIG. 54

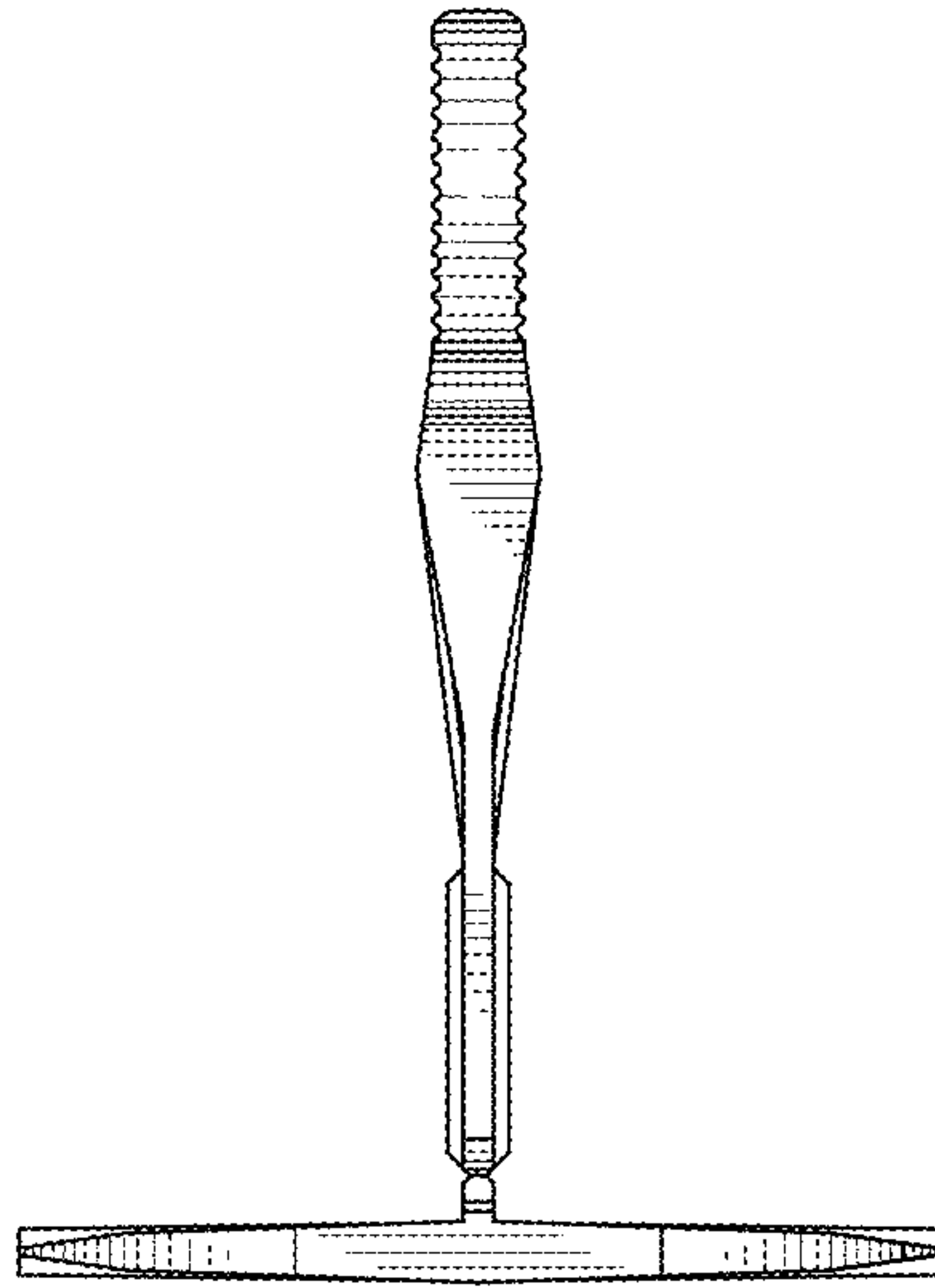


FIG. 55

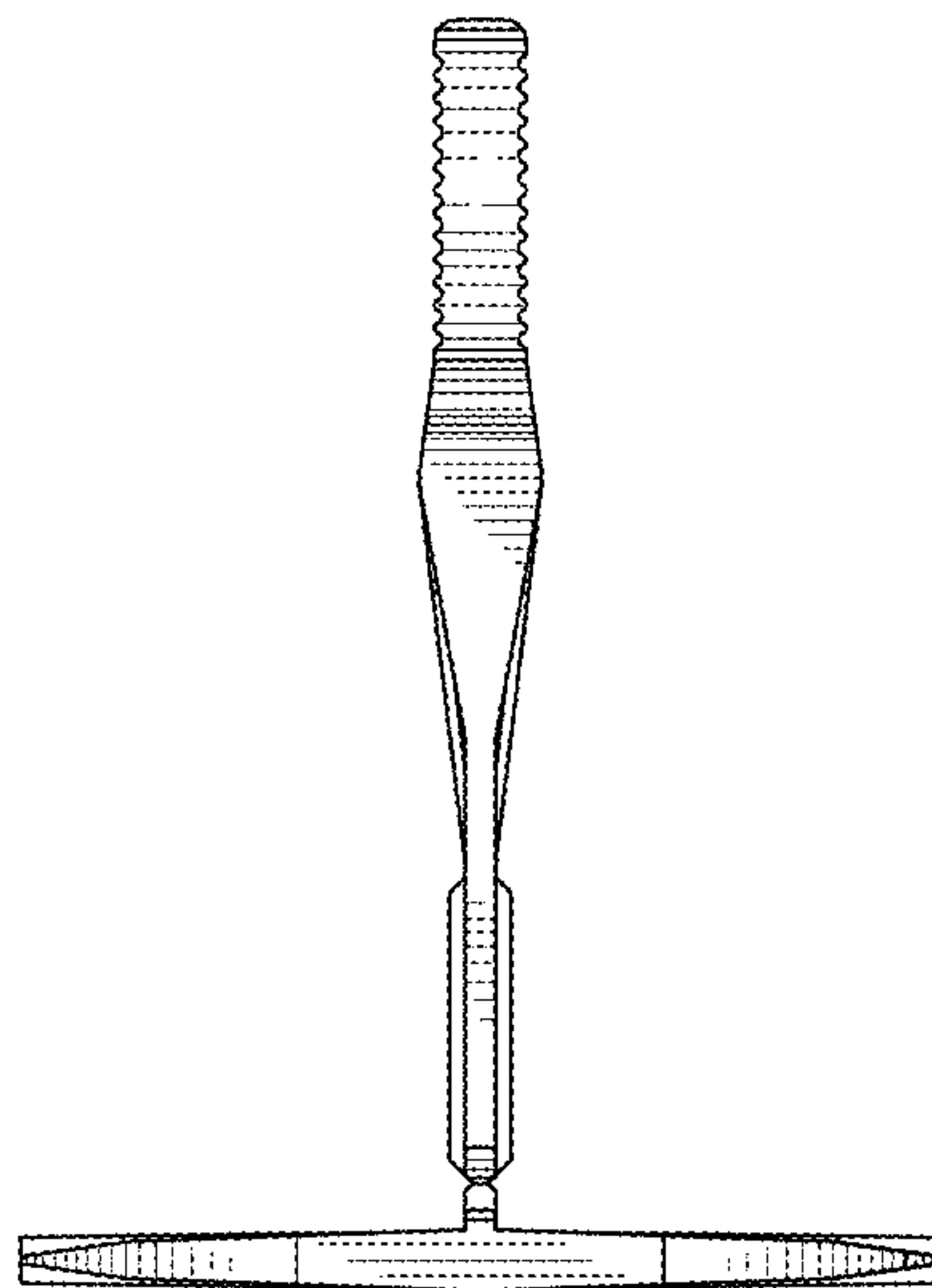


FIG. 56

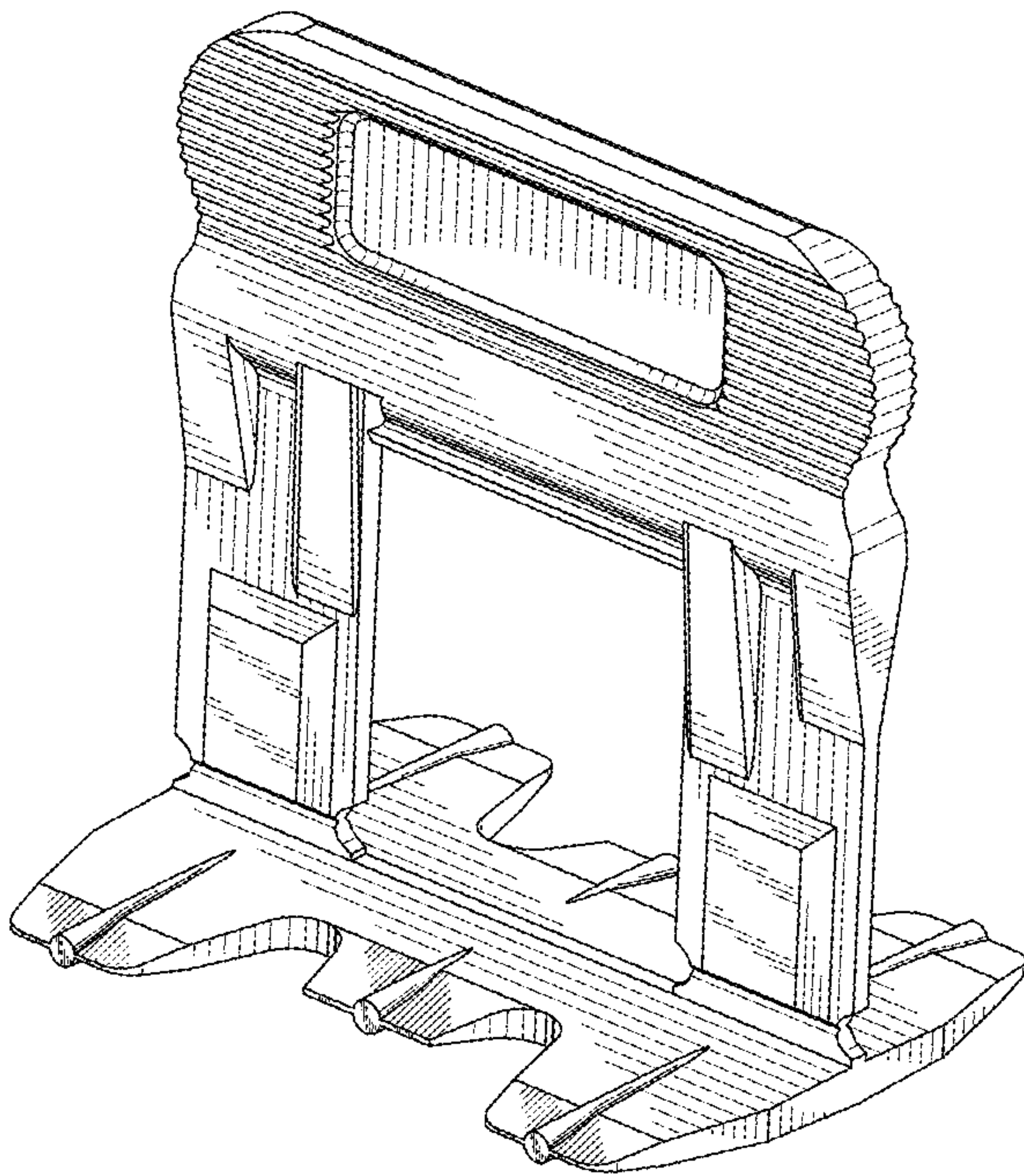


FIG. 57

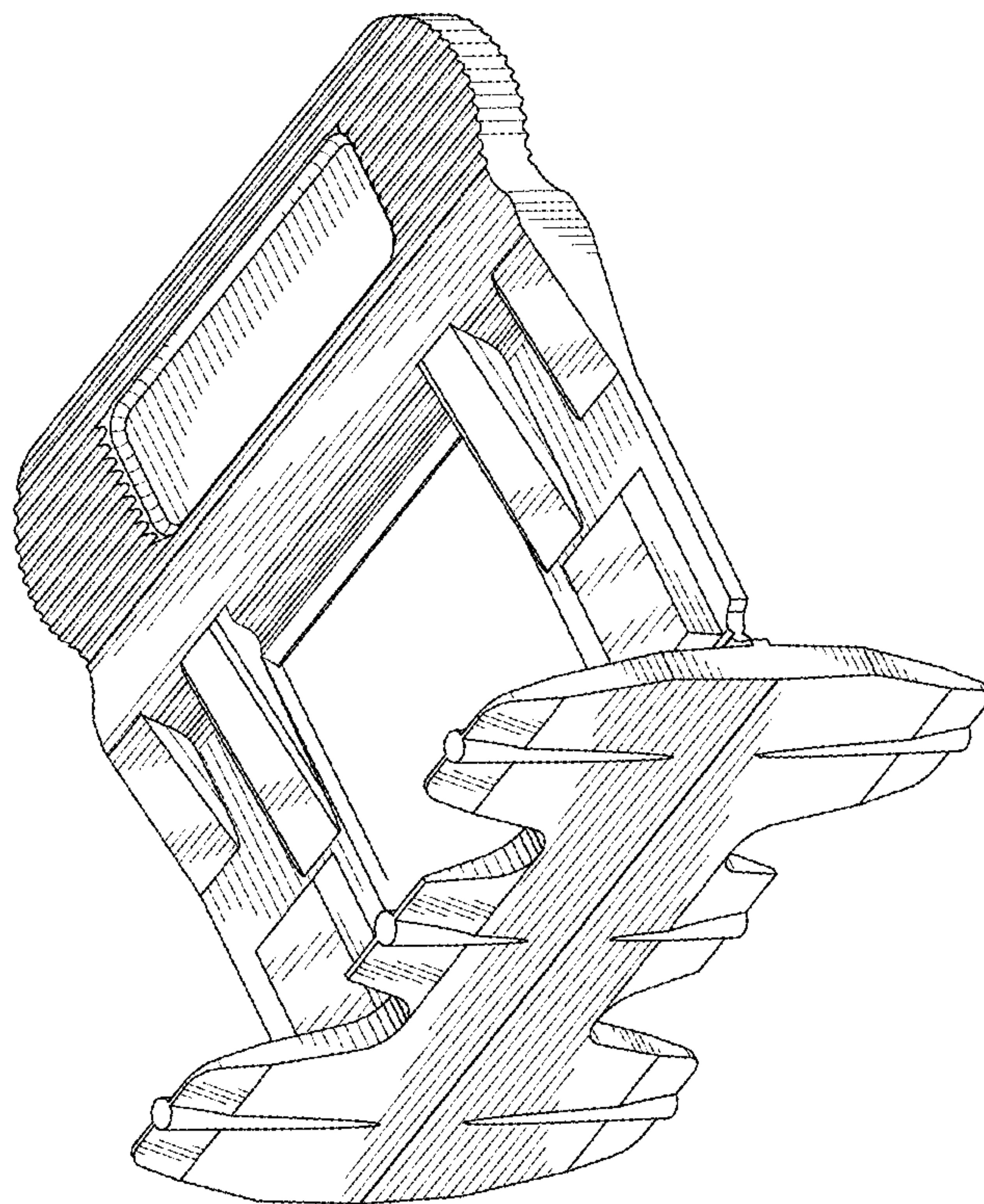


FIG. 58

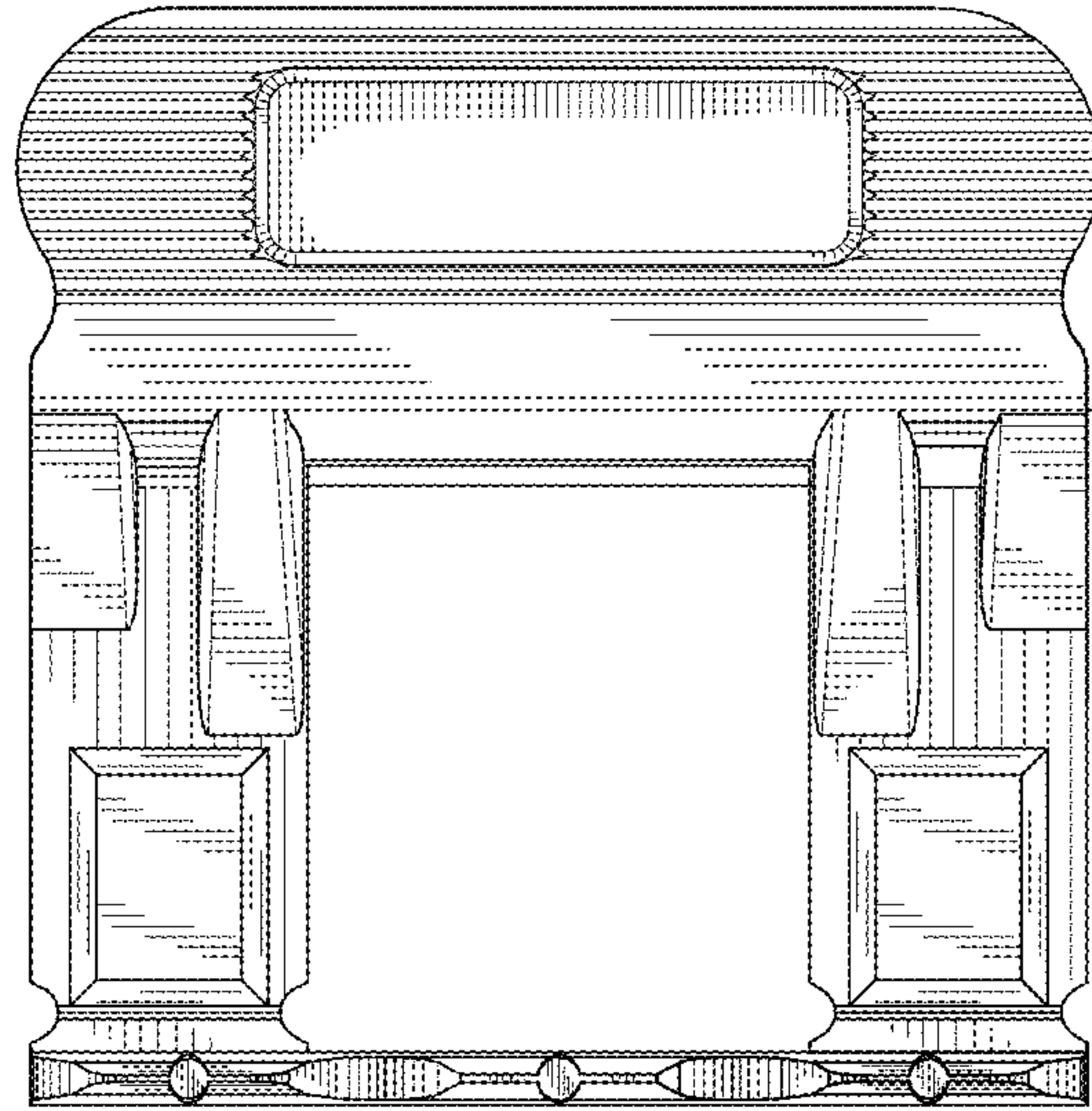


FIG. 59

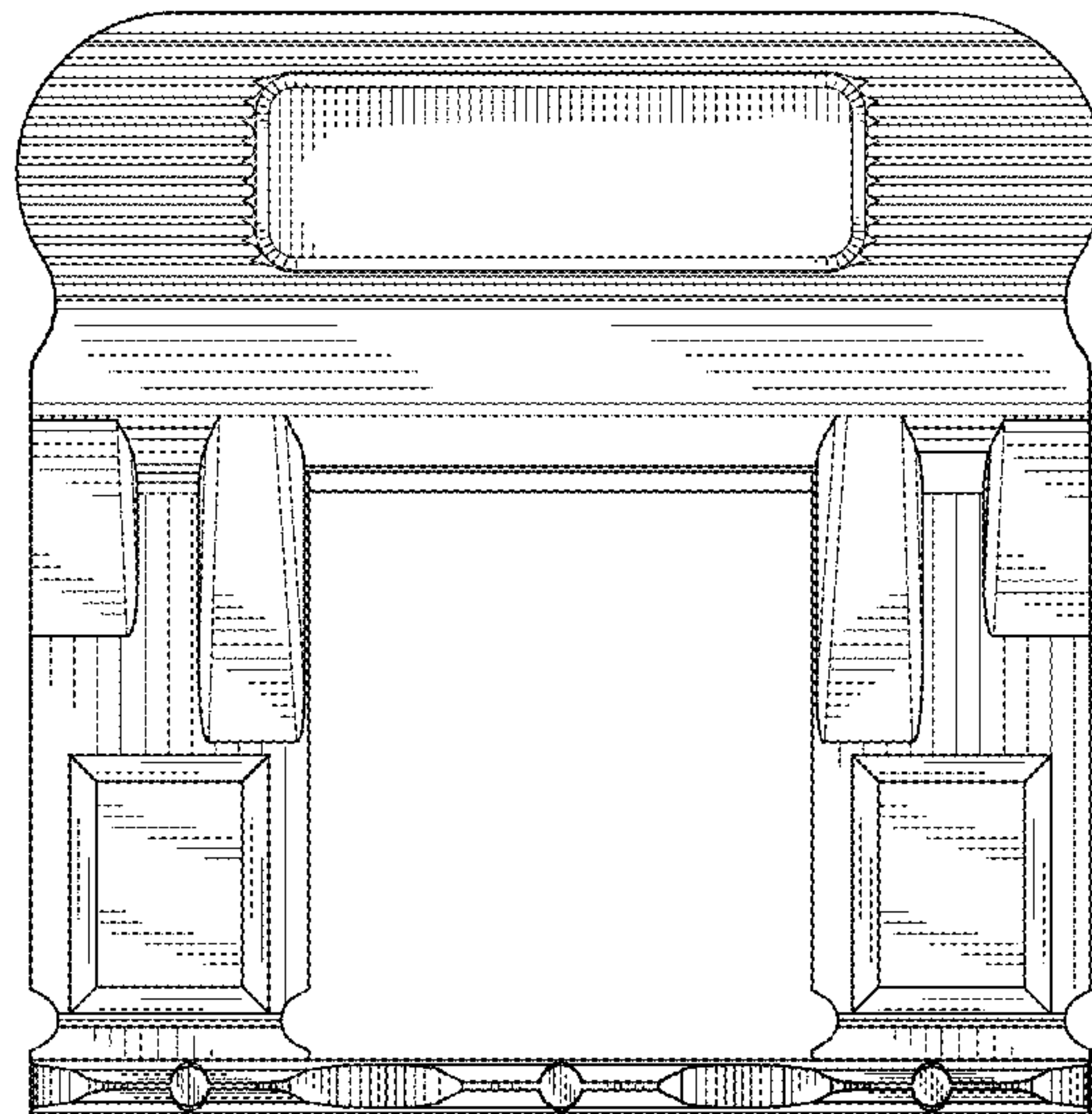


FIG. 60

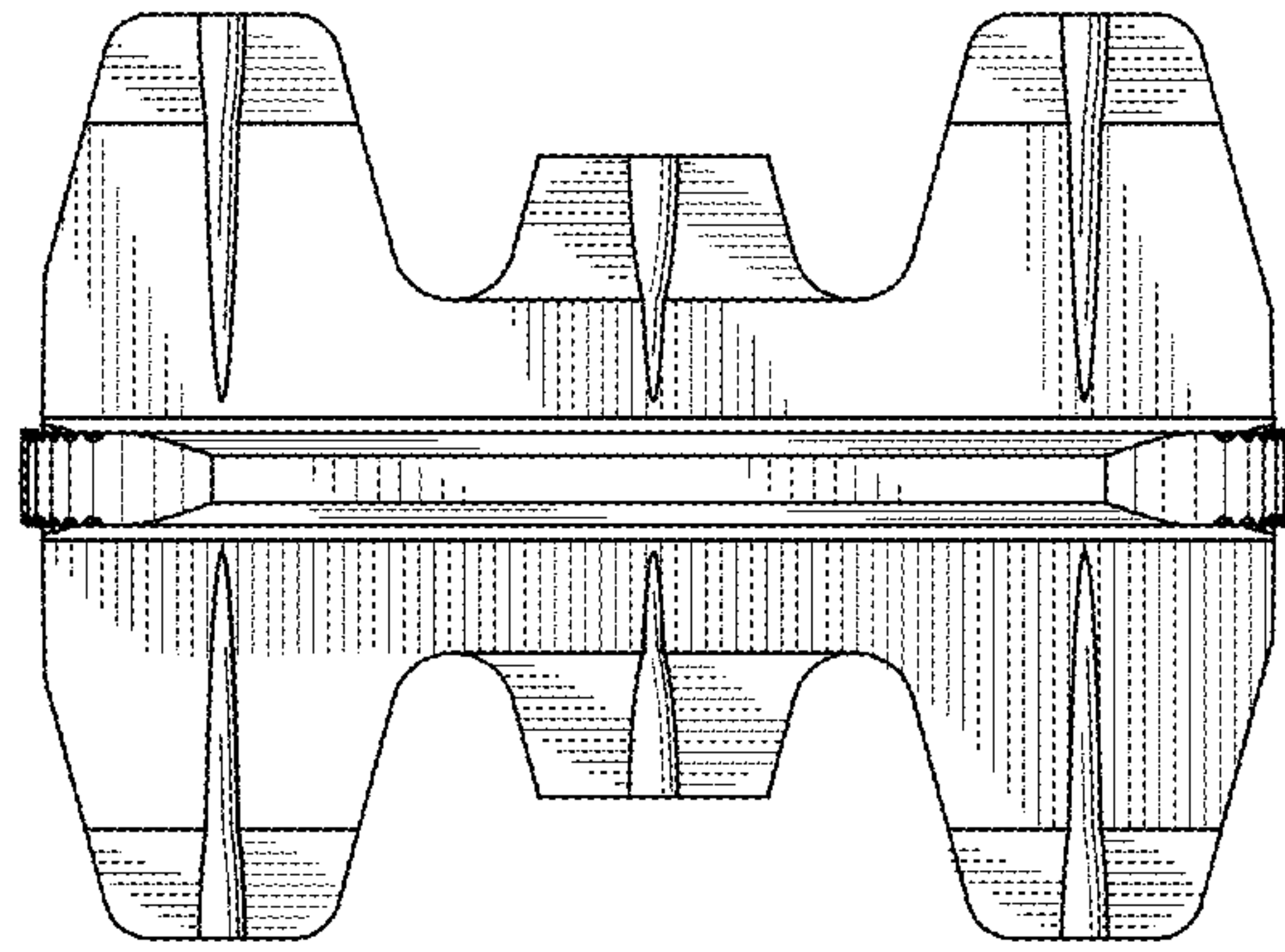


FIG. 61

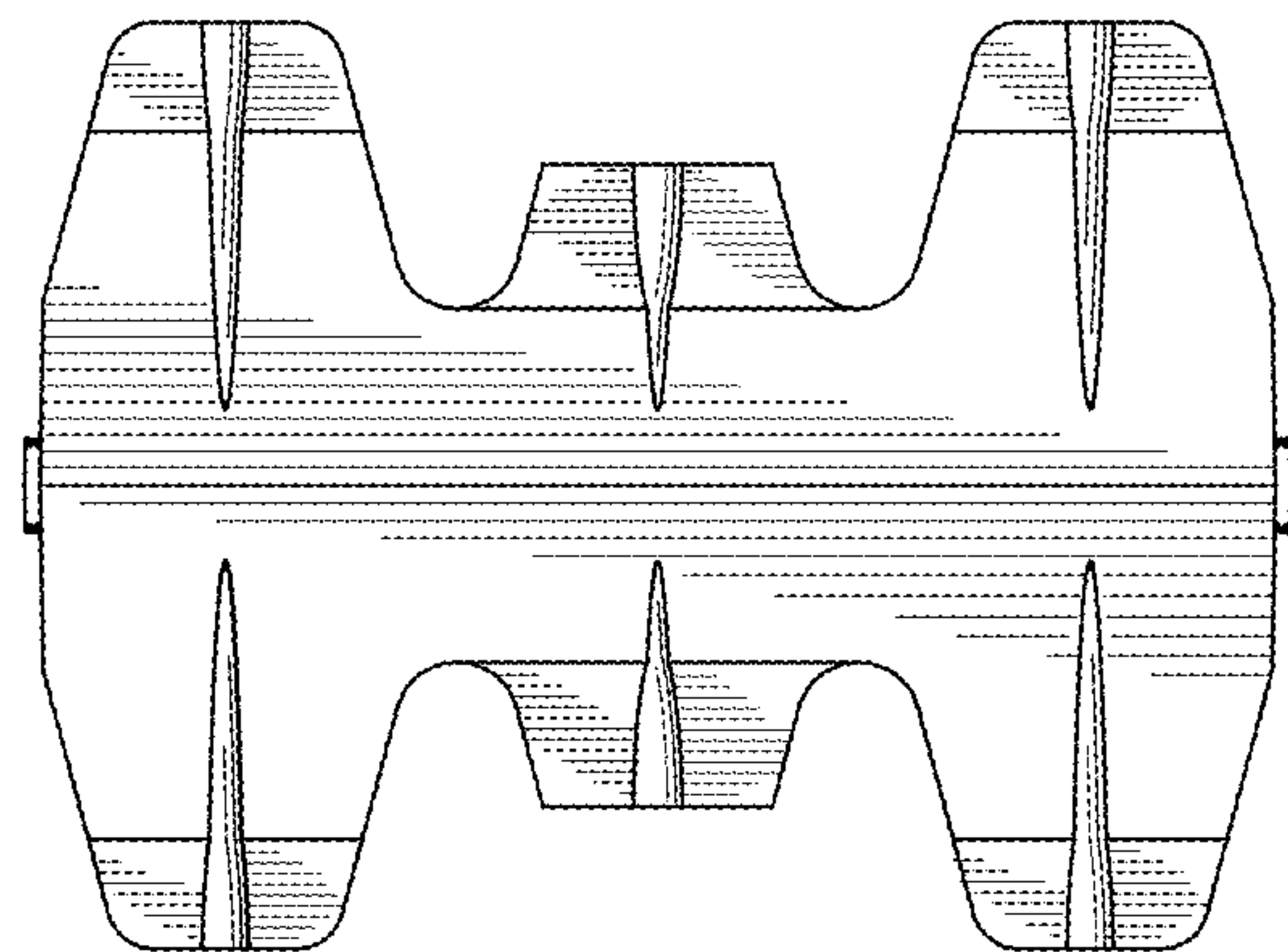


FIG. 62

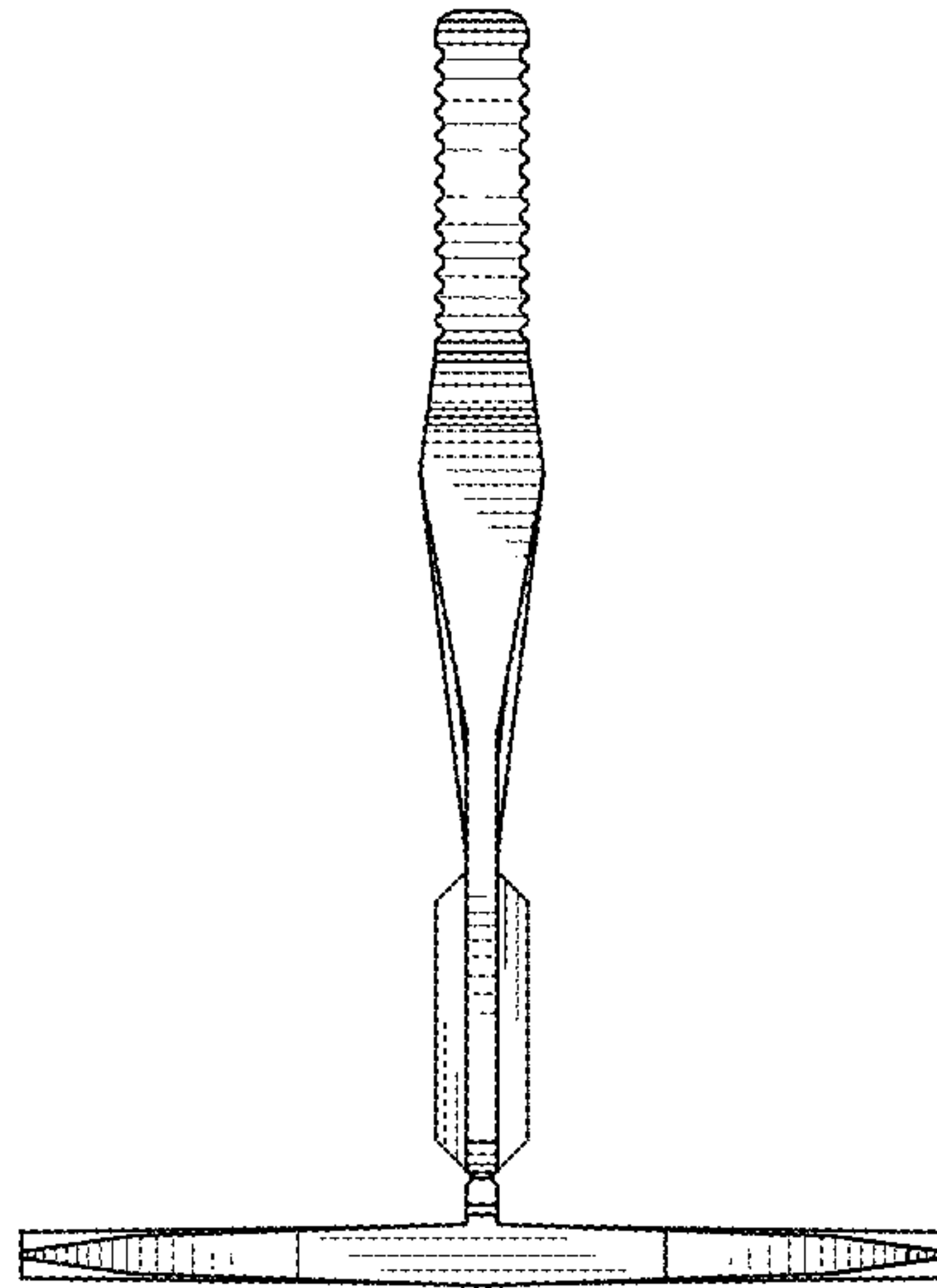


FIG. 63

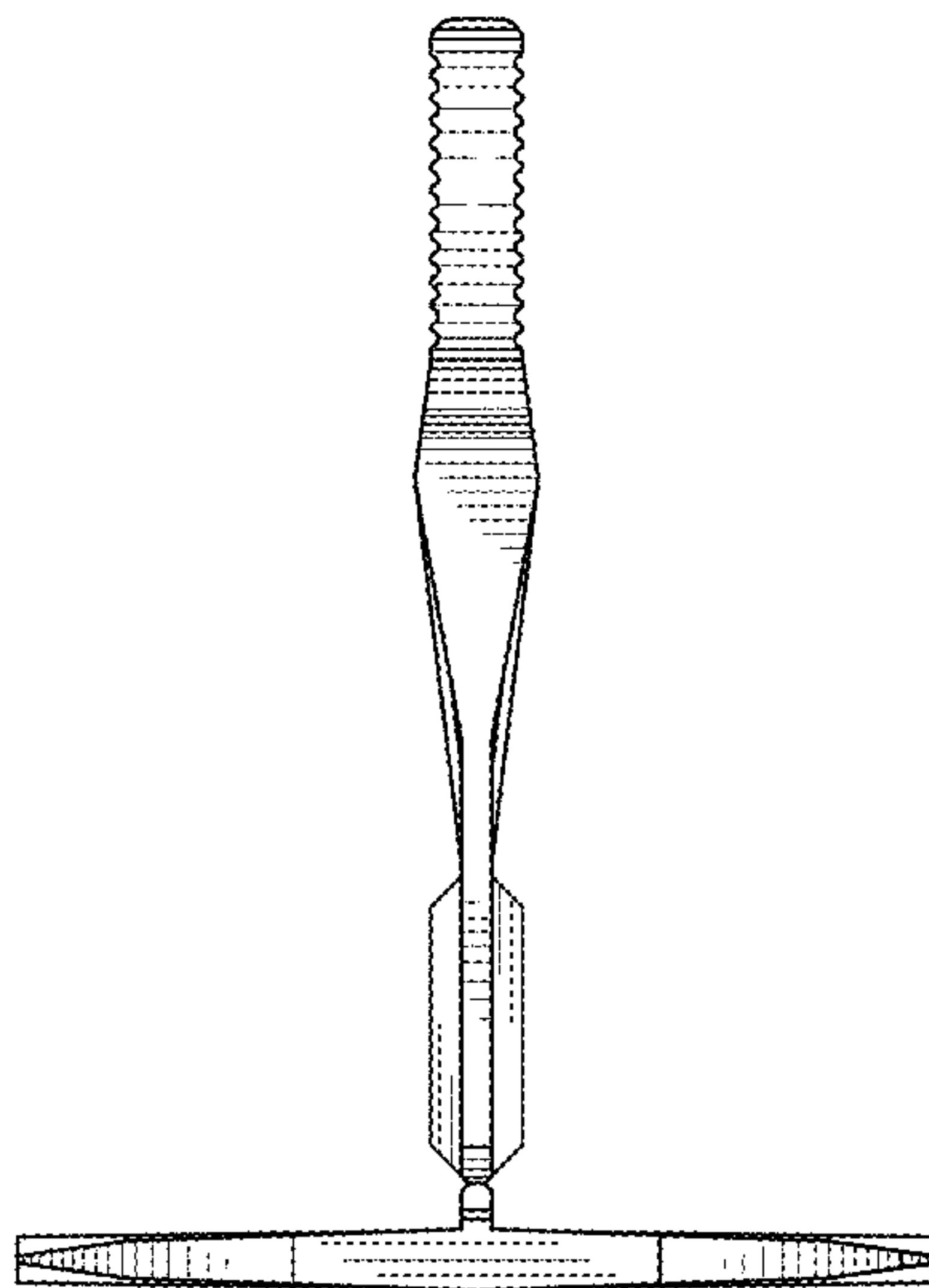


FIG. 64