



US00D820057S

(12) **United States Design Patent** (10) **Patent No.:** **US D820,057 S**  
**Tsai** (45) **Date of Patent:** **\*\* Jun. 12, 2018**

(54) **GAS TORCH**  
 (71) Applicant: **Chin-Lin Tsai**, New Taipei (TW)  
 (72) Inventor: **Chin-Lin Tsai**, New Taipei (TW)  
 (\*\*) Term: **15 Years**  
 (21) Appl. No.: **29/587,217**  
 (22) Filed: **Dec. 12, 2016**  
 (30) **Foreign Application Priority Data**  
 Jul. 14, 2016 (TW) ..... 105304022  
 (51) **LOC (11) Cl.** ..... **08-05**  
 (52) **U.S. Cl.**  
 USPC ..... **D8/30**  
 (58) **Field of Classification Search**  
 USPC ..... D8/30, 107; D15/144, 144.1, 144.2  
 CPC ..... B23K 9/00; B23K 9/1087; B23K 9/0953;  
 B23K 9/124; B23K 9/325; B23K 9/287;  
 B23K 9/32; B23K 9/295  
 See application file for complete search history.

(56) **References Cited**  
 U.S. PATENT DOCUMENTS  
 D329,971 S \* 10/1992 Pryor ..... D8/30  
 6,025,574 A \* 2/2000 Colangelo, Jr. .... B23K 9/295  
 200/43.17  
 D555,446 S \* 11/2007 Picaza Ibarrodo ..... D15/144  
 D578,849 S \* 10/2008 Whited ..... D8/30  
 D638,270 S \* 5/2011 Flattinger ..... D8/107

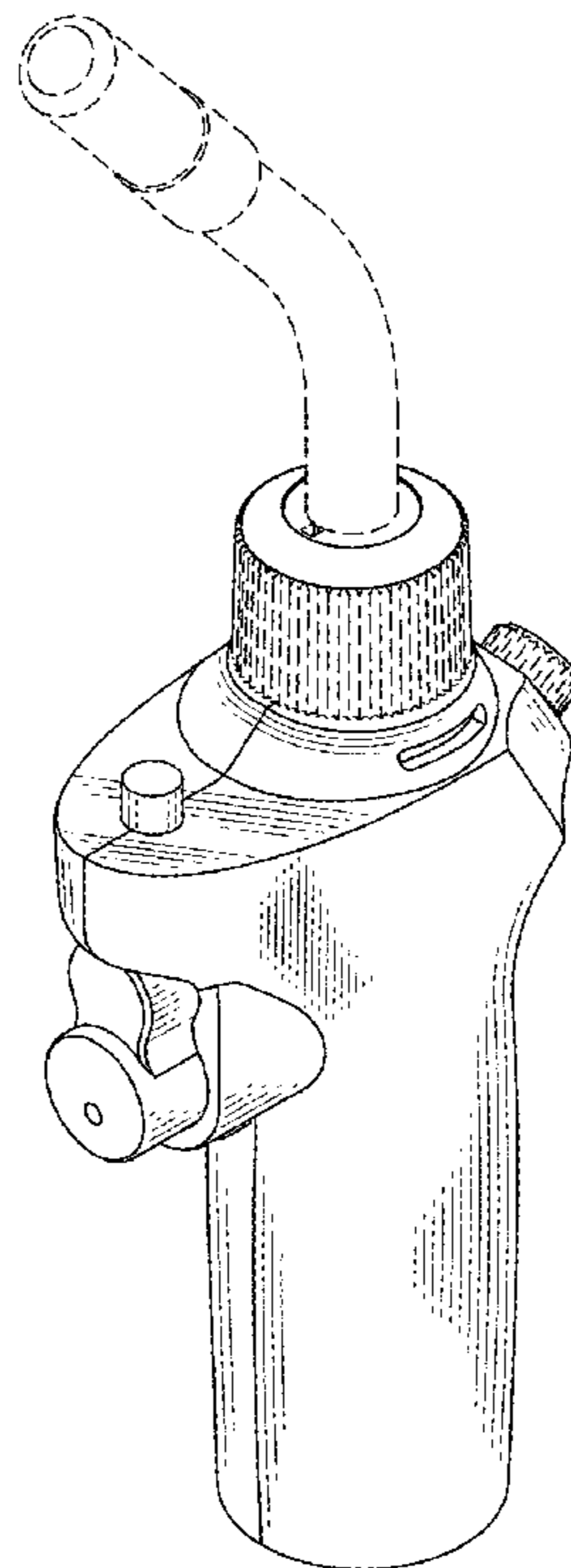
D703,251 S \* 4/2014 Raboin ..... D15/144.2  
 D711,946 S \* 8/2014 Raboin ..... D15/144.2  
 D718,358 S \* 11/2014 McKinley ..... D15/144.2  
 D735,002 S \* 7/2015 Bondy ..... D8/30  
 2004/0166454 A1\* 8/2004 Zwicker ..... F23D 14/38  
 431/263  
 2007/0164006 A1\* 7/2007 Burgstaller ..... B23K 9/0953  
 219/130.01  
 2011/0062131 A1\* 3/2011 Binzel ..... B23K 9/1087  
 219/136

\* cited by examiner  
*Primary Examiner* — Phillip S Hyder  
 (74) *Attorney, Agent, or Firm* — Guice Patents PLLC

(57) **CLAIM**  
 The ornamental design for gas torch, as shown and described.

**DESCRIPTION**  
 FIG. 1 is a perspective view of gas torch showing the design;  
 FIG. 2 is a front side view thereof;  
 FIG. 3 is a rear side view thereof;  
 FIG. 4 is a left side view thereof;  
 FIG. 5 is a right side view thereof;  
 FIG. 6 is a top elevation view thereof; and,  
 FIG. 7 is a bottom elevation view thereof.  
 The broken lines are included for the purpose of illustrating portions of the gas torch that form no part of the claimed design.

**1 Claim, 5 Drawing Sheets**



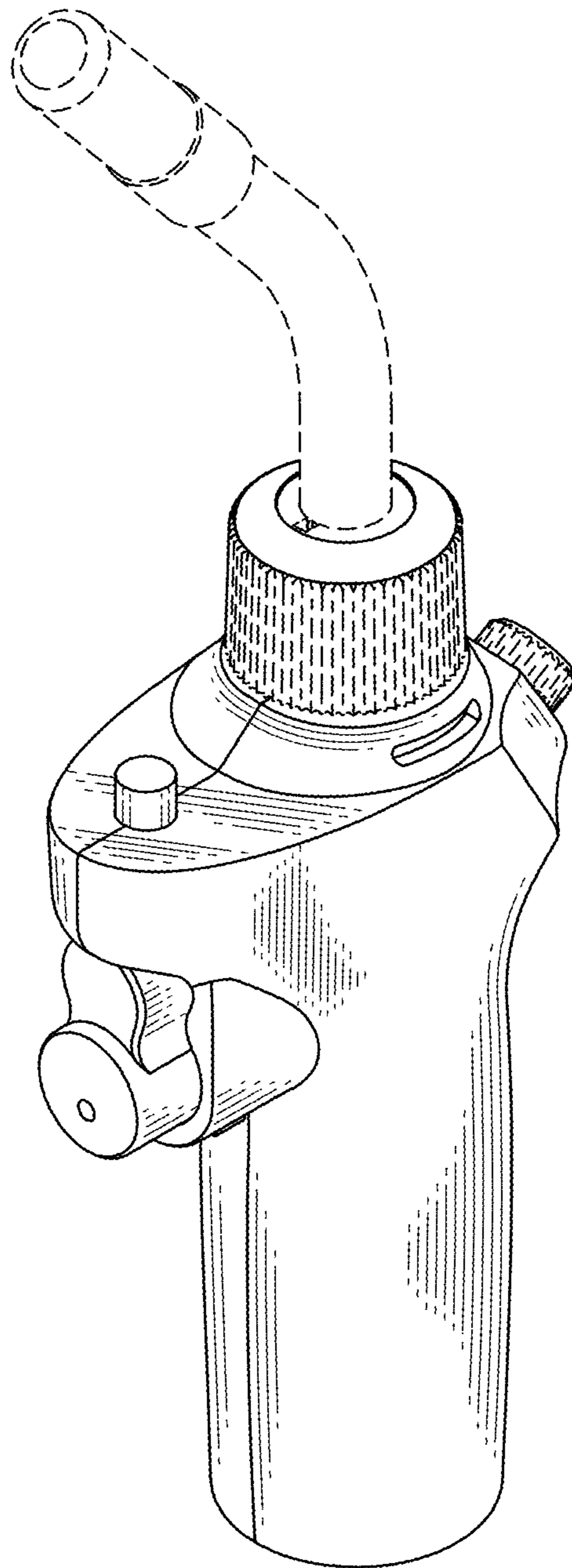


FIG. 1

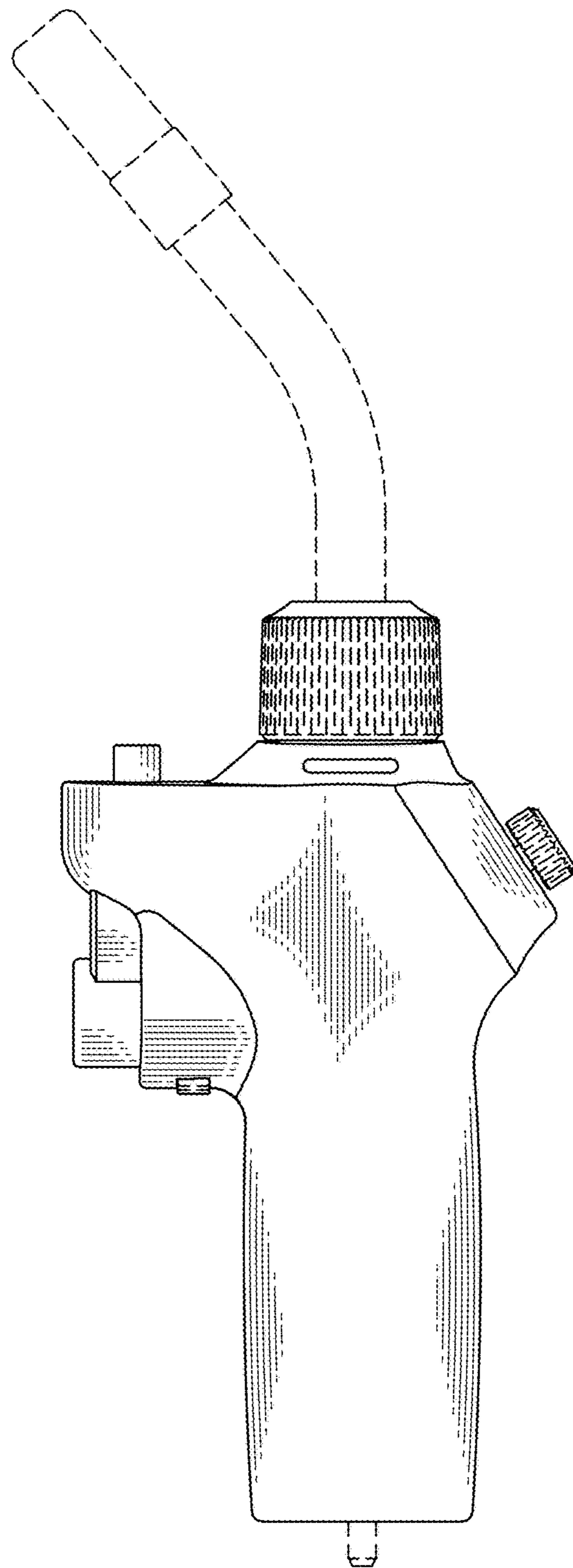


FIG. 2

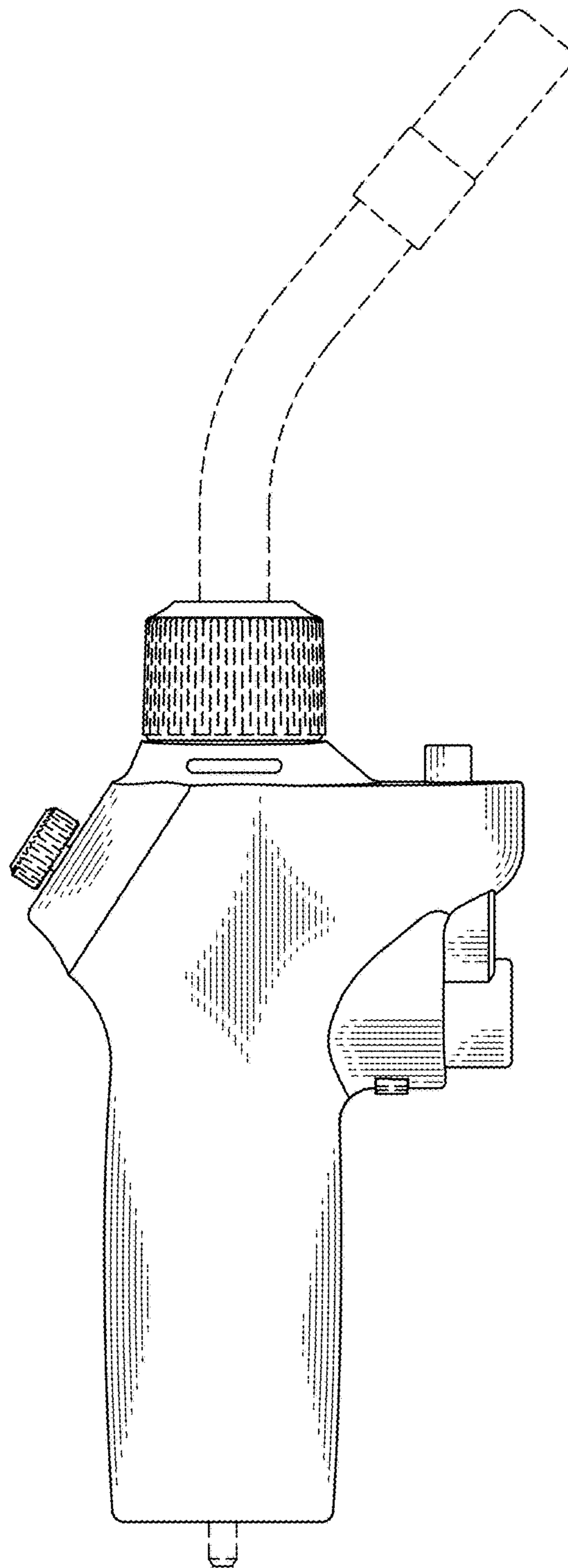


FIG. 3

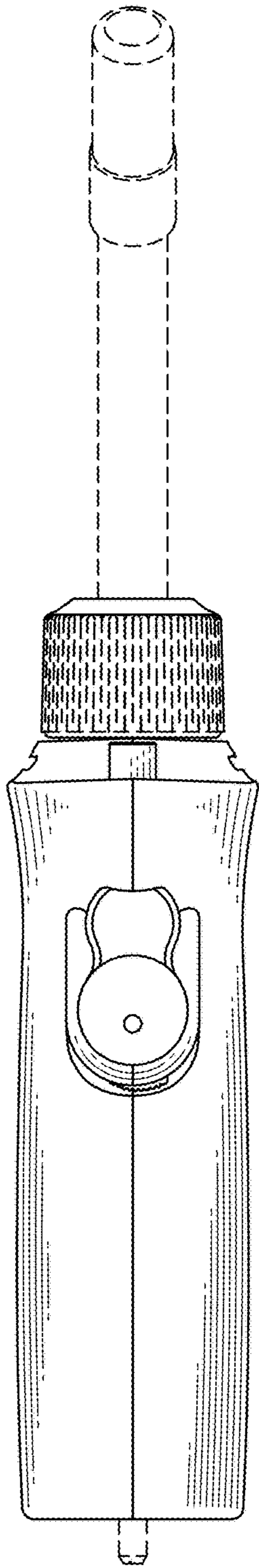


FIG. 4

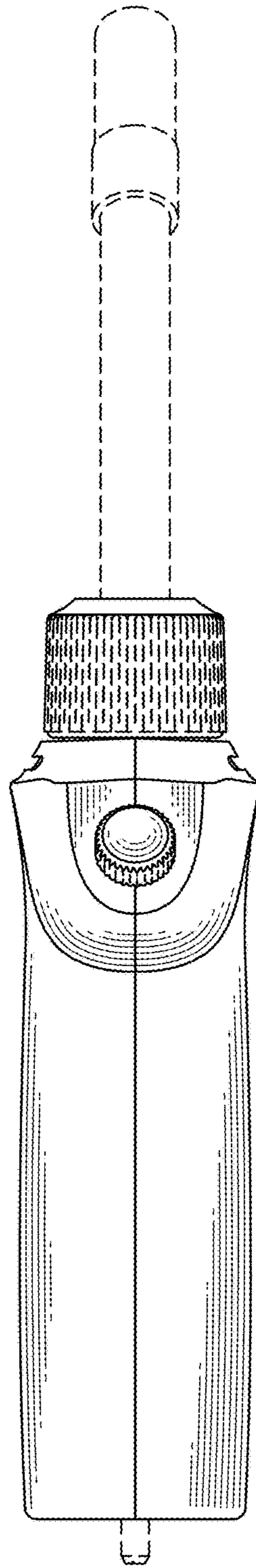


FIG. 5



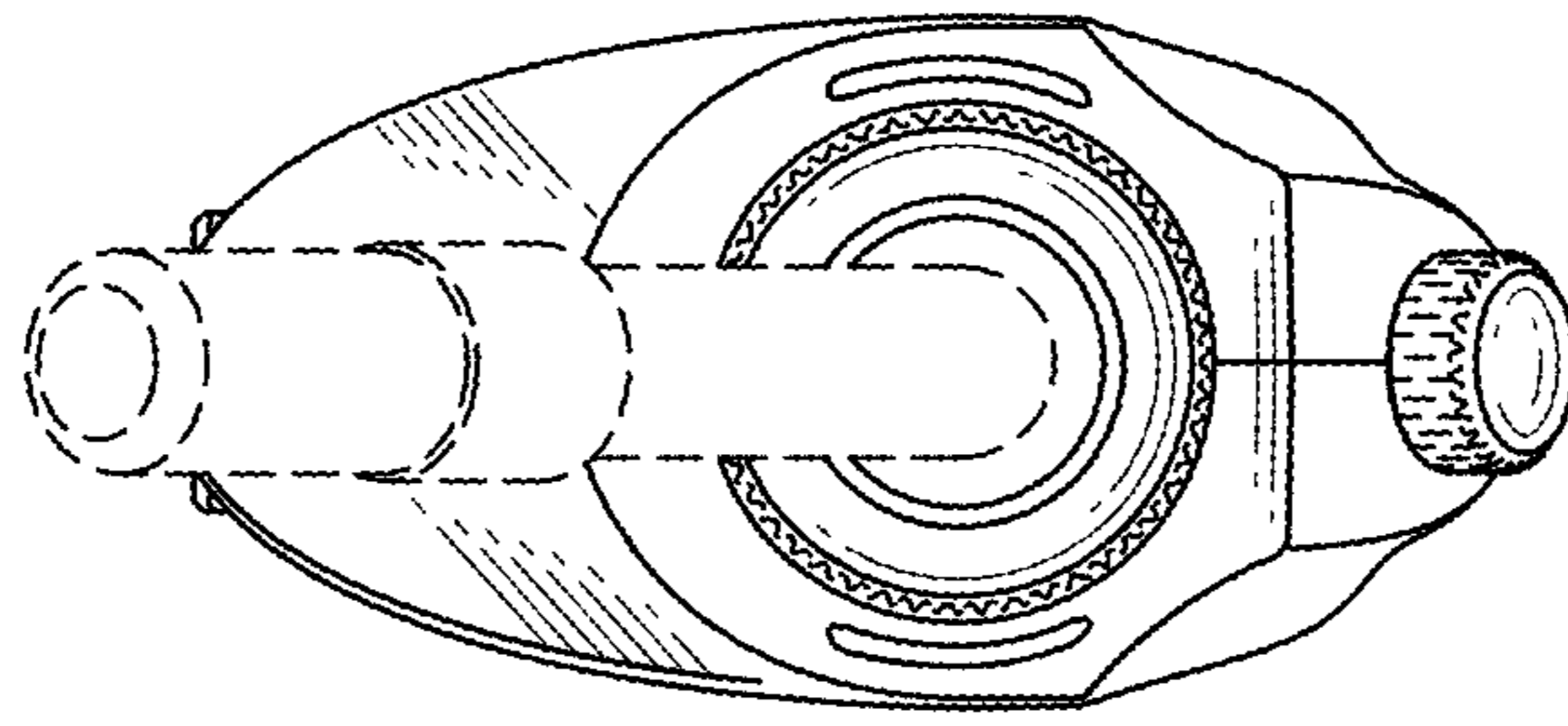


FIG. 6

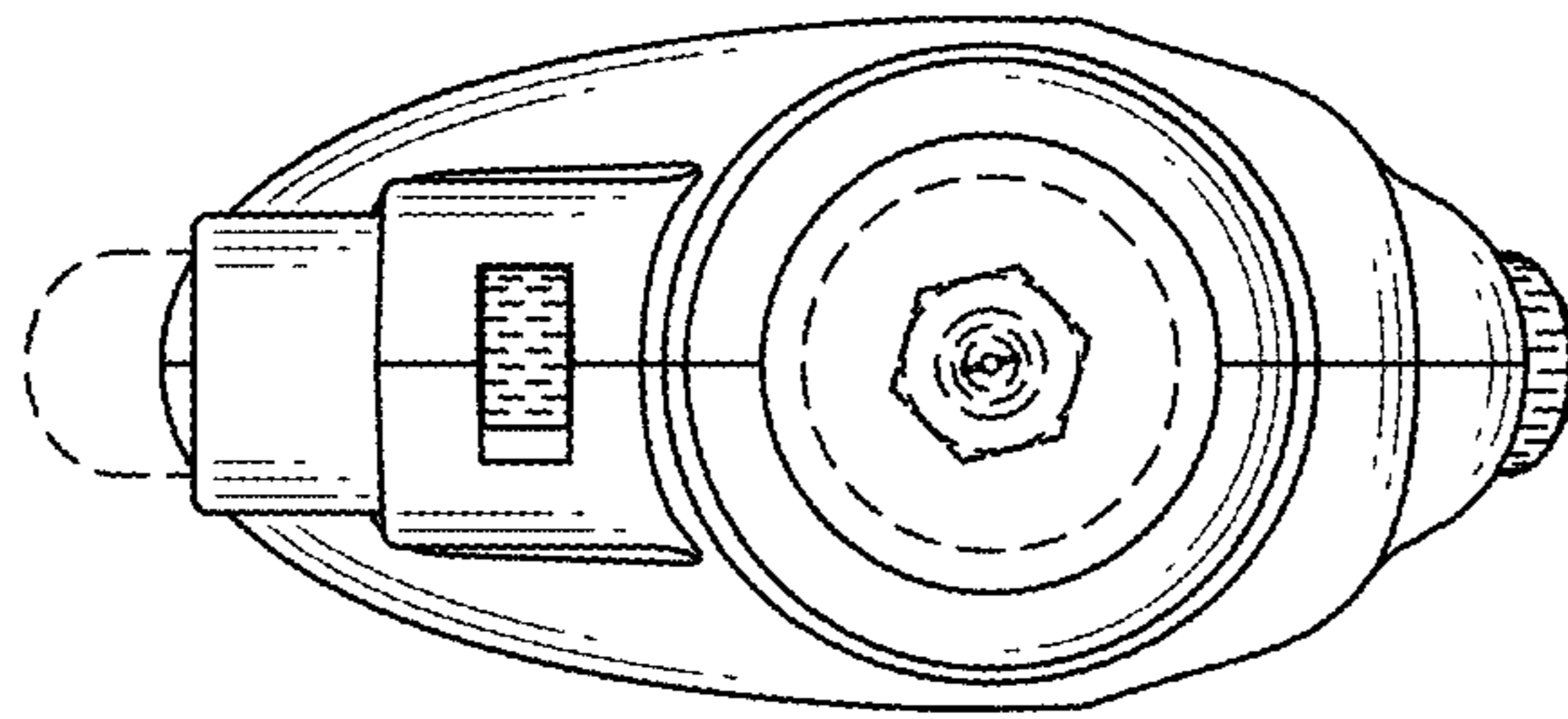


FIG. 7