



US00D820056S

(12) **United States Design Patent**
Zhang

(10) **Patent No.:** **US D820,056 S**

(45) **Date of Patent:** **** Jun. 12, 2018**

(54) **EXTENDABLE WRENCH**

(71) Applicant: **Ruqian Zhang**, Xiaoshan Hangzhou (CN)

(72) Inventor: **Ruqian Zhang**, Xiaoshan Hangzhou (CN)

(**) Term: **15 Years**

(21) Appl. No.: **29/610,140**

(22) Filed: **Jul. 10, 2017**

(51) **LOC (11) Cl.** **08-05**

(52) **U.S. Cl.**
USPC **D8/25**

(58) **Field of Classification Search**

USPC D8/25, 60, 97, 107; 81/60-63, 177.1, 81/177.85, 121.1, 124.3, 165-170, 110.1, 81/176.2, 124.6, 176.1, 176.15, 177.2, 81/186, 467, 476, 478, 480; 16/110.1; 192/44, 45, 54.52; D24/133, 145, 147; 606/54, 59, 62, 63, 60, 64
CPC .. B25G 1/00; B25B 1/00; B25B 13/00; B25B 23/00

See application file for complete search history.

(56) **References Cited**

U.S. PATENT DOCUMENTS

6,067,881 A * 5/2000 Albertson B25B 13/462 192/44
D468,978 S * 1/2003 Davidson D8/25

D585,254 S * 1/2009 Lorenzen D8/25
D632,534 S * 2/2011 Cote D8/25
D648,195 S * 11/2011 Lin D8/25
D690,175 S * 9/2013 Lin D8/25

* cited by examiner

Primary Examiner — Randall H Gholson

(74) *Attorney, Agent, or Firm* — Clement Cheng

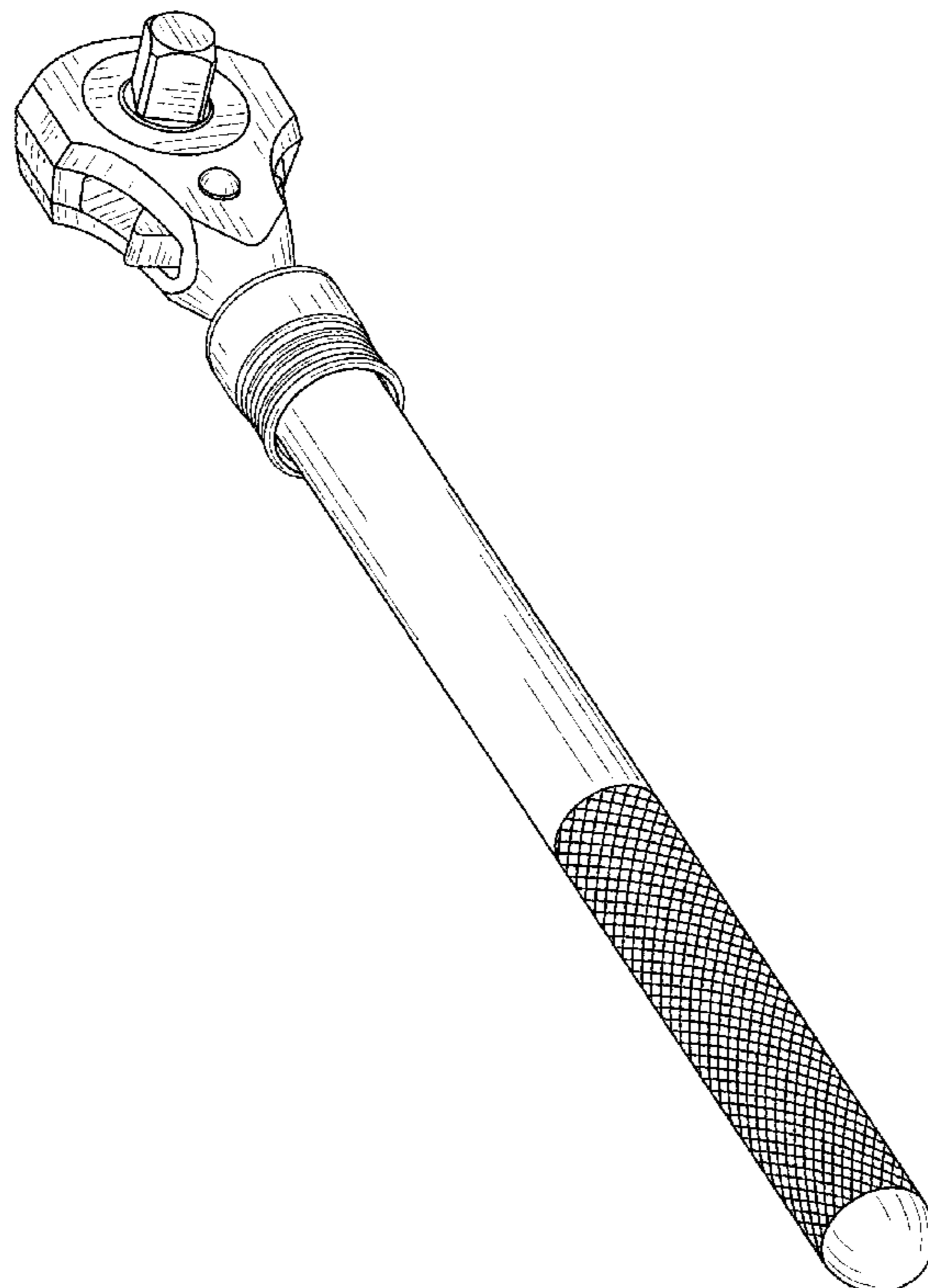
(57) **CLAIM**

The ornamental design for an extendable wrench, as shown and described.

DESCRIPTION

FIG. 1 is a top perspective view.
FIG. 2 is a front view.
FIG. 3 is a rear view.
FIG. 4 is a left side view.
FIG. 5 is a right side view.
FIG. 6 is a top view.
FIG. 7 is a bottom view; and,
FIG. 8 is a bottom perspective view.
The dotted line in the drawing forms no part of the claimed invention.

1 Claim, 4 Drawing Sheets



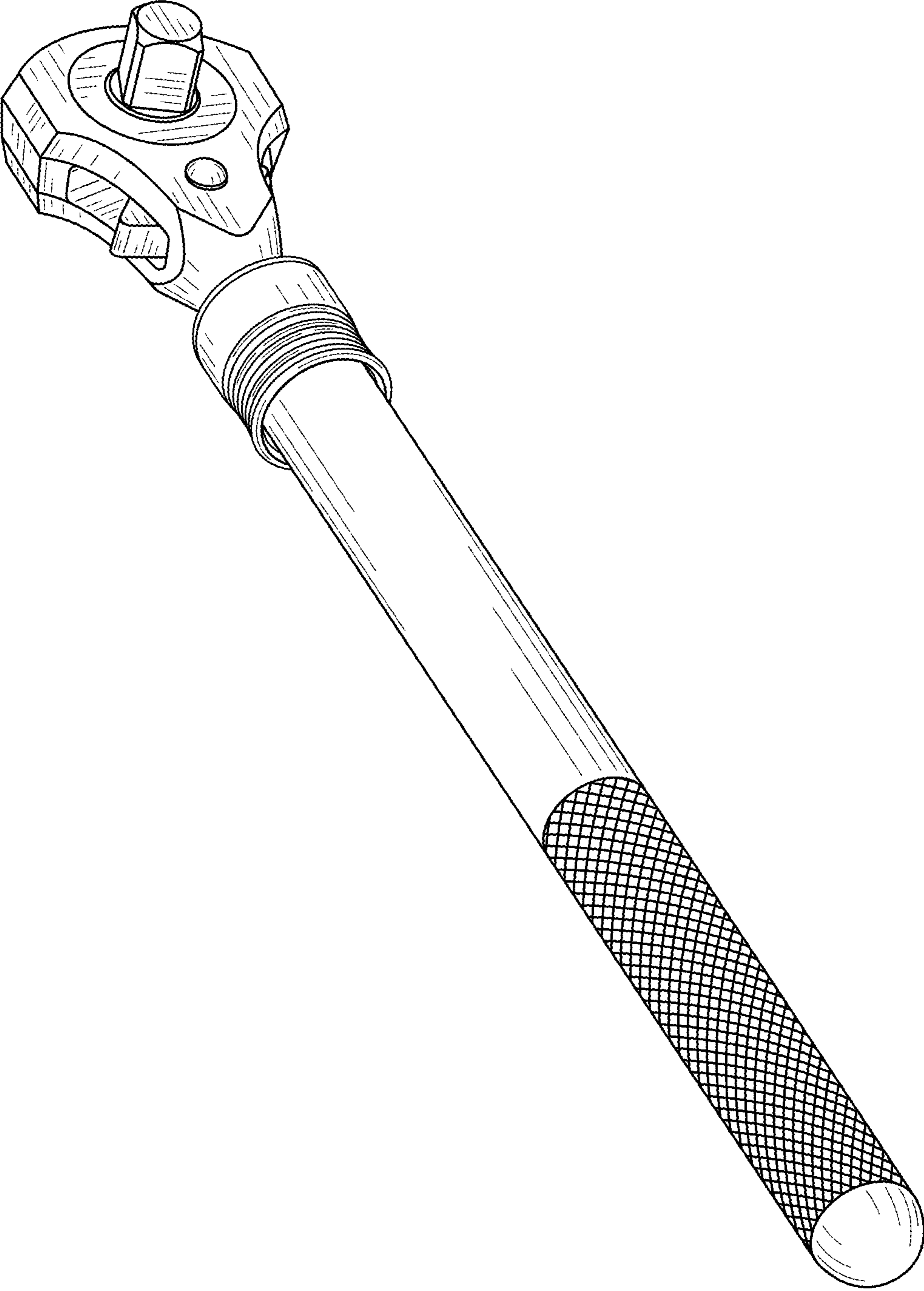


FIG. 1

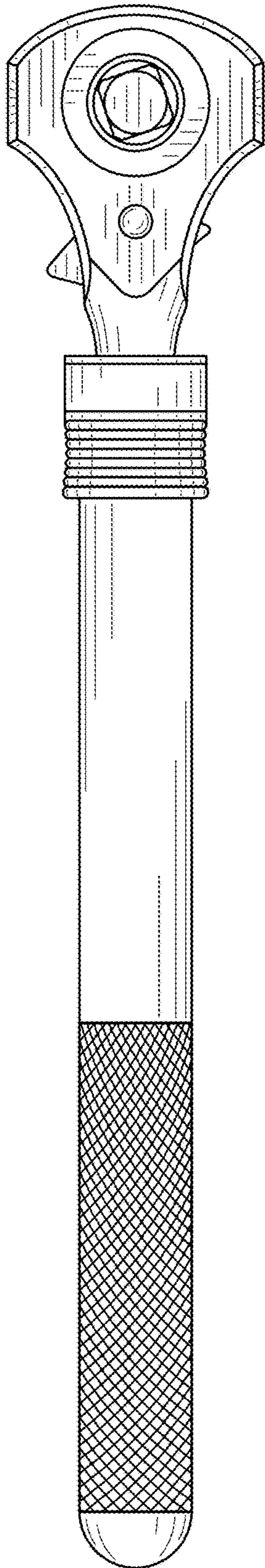


FIG. 2

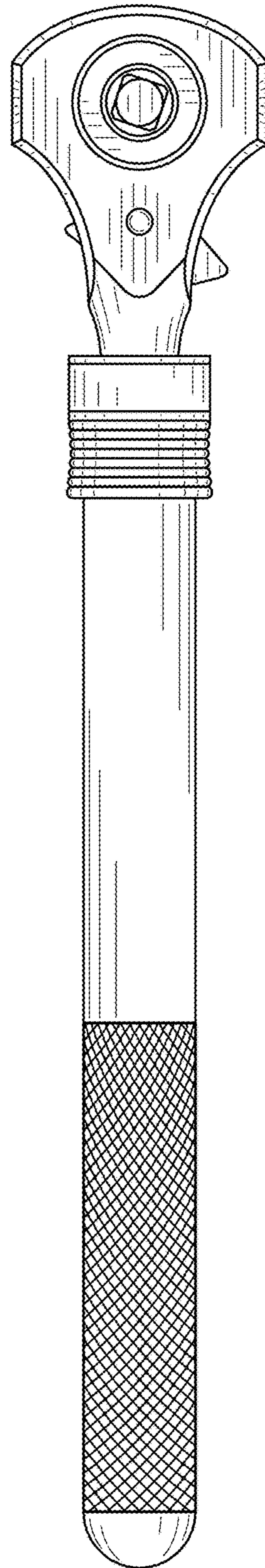


FIG. 3

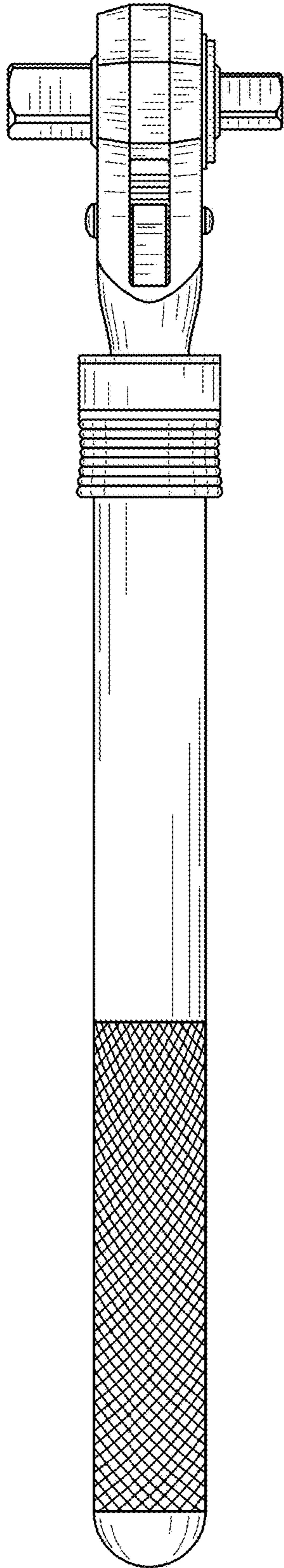


FIG. 4

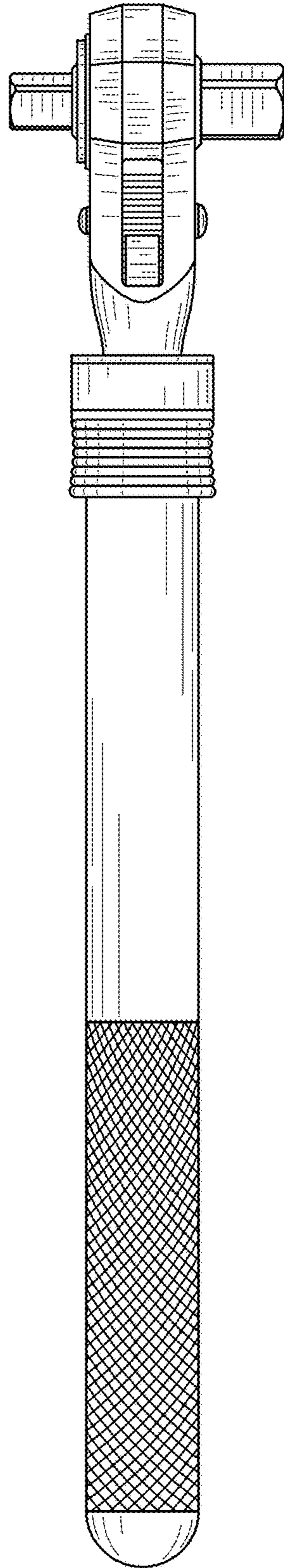


FIG. 5

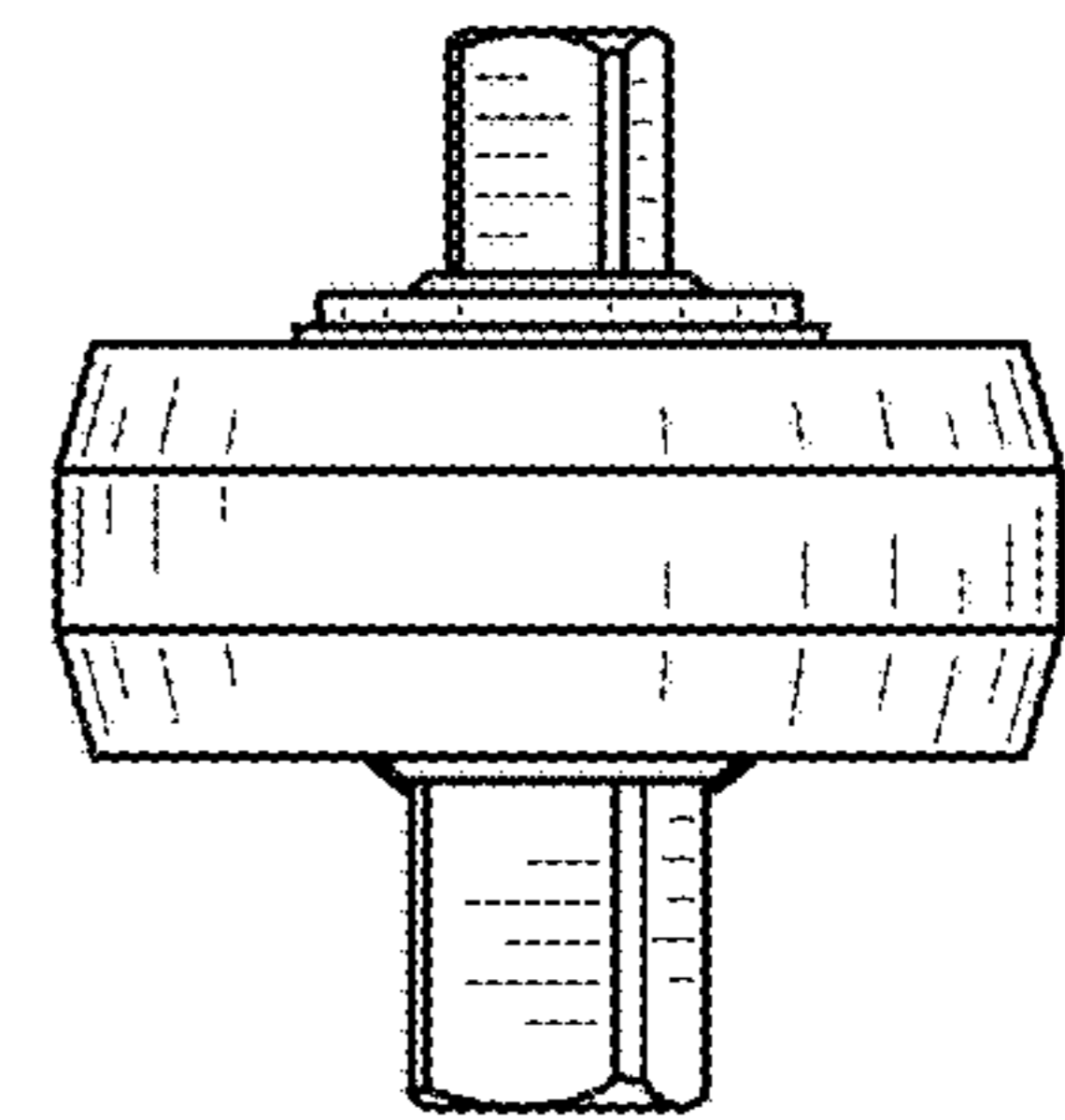


FIG. 6

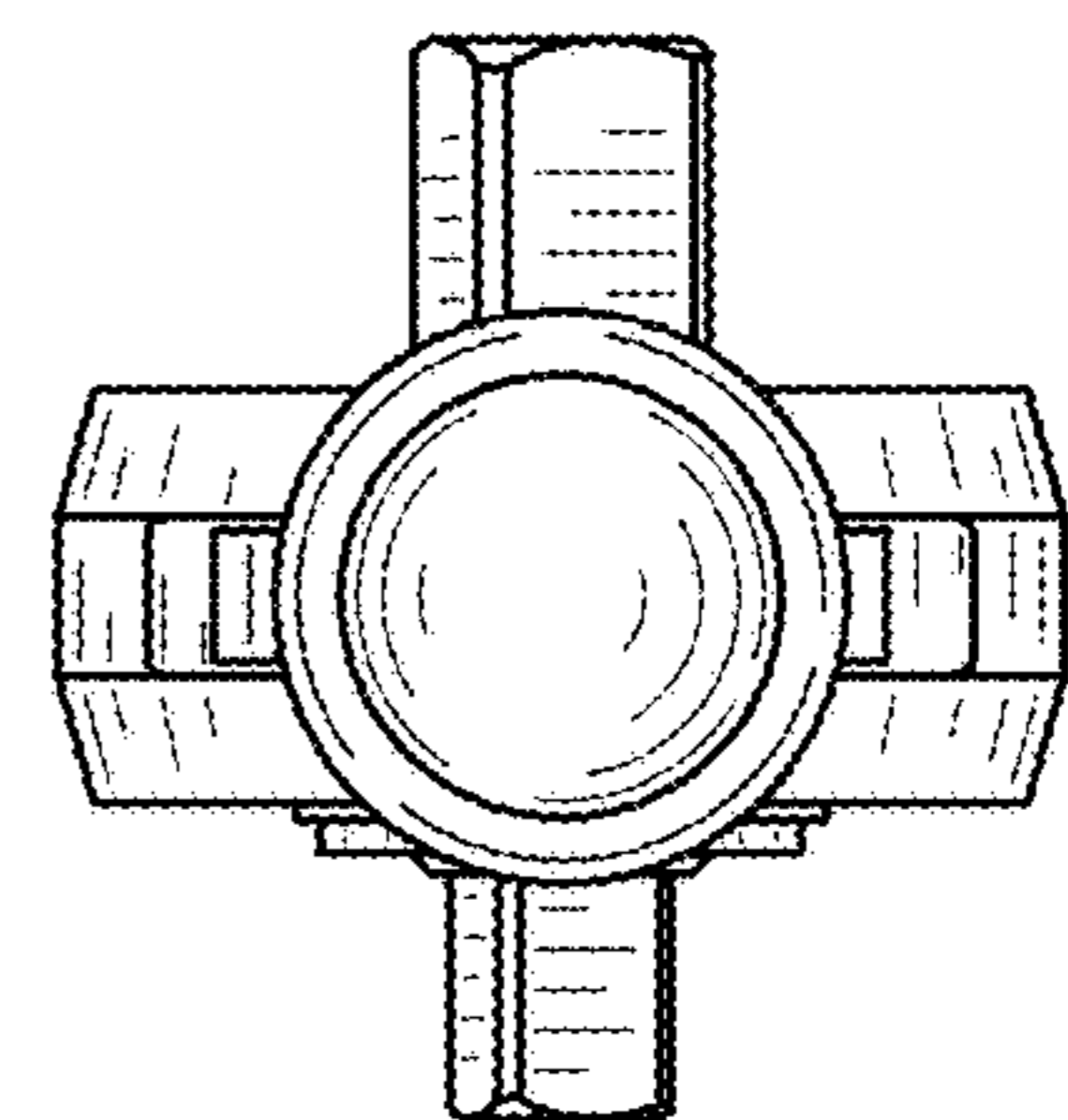


FIG. 7

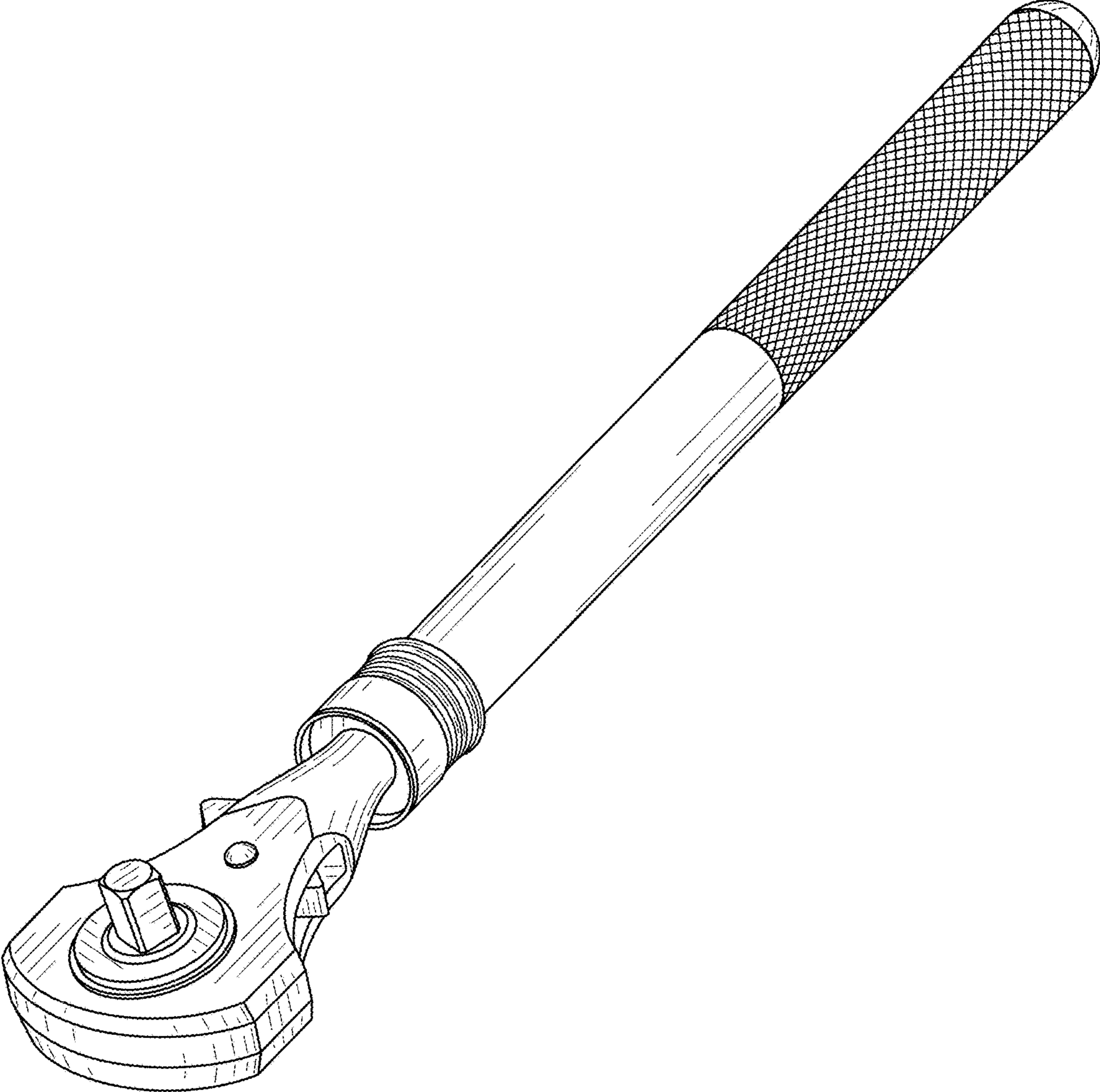


FIG. 8