



US00D820055S

(12) **United States Design Patent**
Chen et al.

(10) **Patent No.:** **US D820,055 S**
(45) **Date of Patent:** **** Jun. 12, 2018**

(54) PLANT FEEDING DEVICE	D245,061 S * 7/1977 Knapp D8/1
	4,745,706 A * 5/1988 Muza A01G 9/122
(71) Applicants: Robert Cv Chen , Cupertino, CA (US); Tiffany Ty Chen , Cupertino, CA (US)	4,922,653 A * 5/1990 Stone A01G 17/04
	47/45
(72) Inventors: Robert Cv Chen , Cupertino, CA (US); Tiffany Ty Chen , Cupertino, CA (US)	D313,459 S * 1/1991 Propp D23/214
	D331,526 S * 12/1992 Miller D8/1
	D402,170 S * 12/1998 Cox D8/1
	D513,783 S * 1/2006 Holmes D23/221
(**) Term: 15 Years	D702,514 S * 4/2014 Copeland D8/1
	D748,757 S * 2/2016 Holmes D23/214
(21) Appl. No.: 29/566,775	D771,771 S * 11/2016 Hill D23/207
	2006/0053690 A1 * 3/2006 Zayeratabat A01G 9/122
(22) Filed: Jun. 2, 2016	2016/0192603 A1 * 7/2016 Chen E03C 1/302
	47/48.5
	47/81

Related U.S. Application Data

- (63) Continuation-in-part of application No. 14/712,606, filed on May 14, 2015, now abandoned.
- (51) **LOC (11) Cl.** **08-01**
- (52) **U.S. Cl.**
USPC **D8/1**
- (58) **Field of Classification Search**
USPC D8/1; D23/206, 213, 214, 217, 218, 220, D23/221, 233, 499
CPC A01G 29/00; A01G 9/122
See application file for complete search history.

* cited by examiner

Primary Examiner — Sheryl Lane

(74) *Attorney, Agent, or Firm* — Lyman Moulton, Esq.

(57) **CLAIM**

The ornamental design for a plant feeding device, as shown and described.

DESCRIPTION

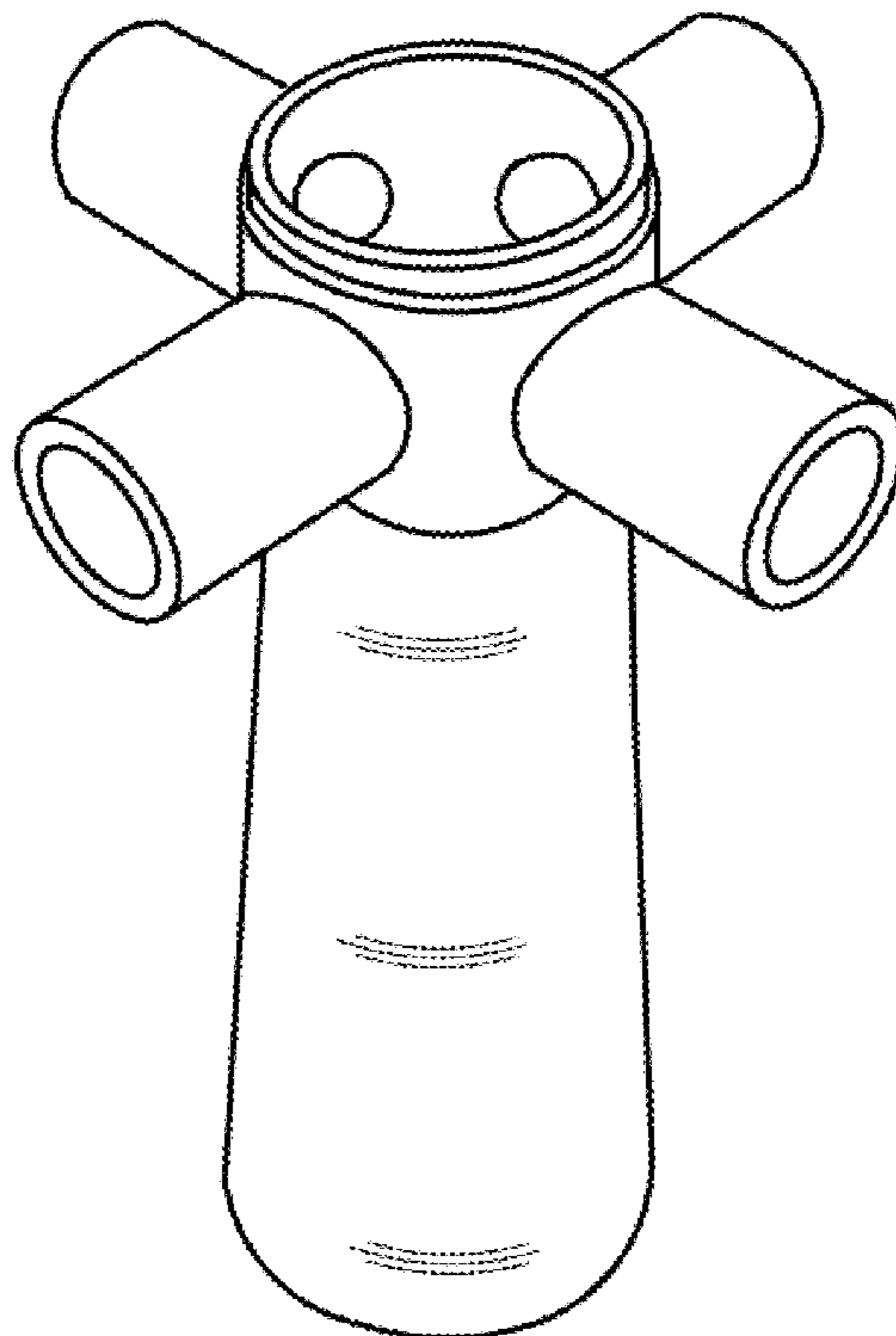
FIG. 1 is a top perspective view of a plant feeding device showing my new design;
FIG. 2 is a top plan view thereof;
FIG. 3 is a bottom perspective view thereof; and,
FIG. 4 is a side elevational view thereof.

(56) **References Cited**

U.S. PATENT DOCUMENTS

D150,296 S * 7/1948 Hubbard D23/220
2,796,701 A * 6/1957 Mauget A01G 7/06
111/7.1

1 Claim, 1 Drawing Sheet



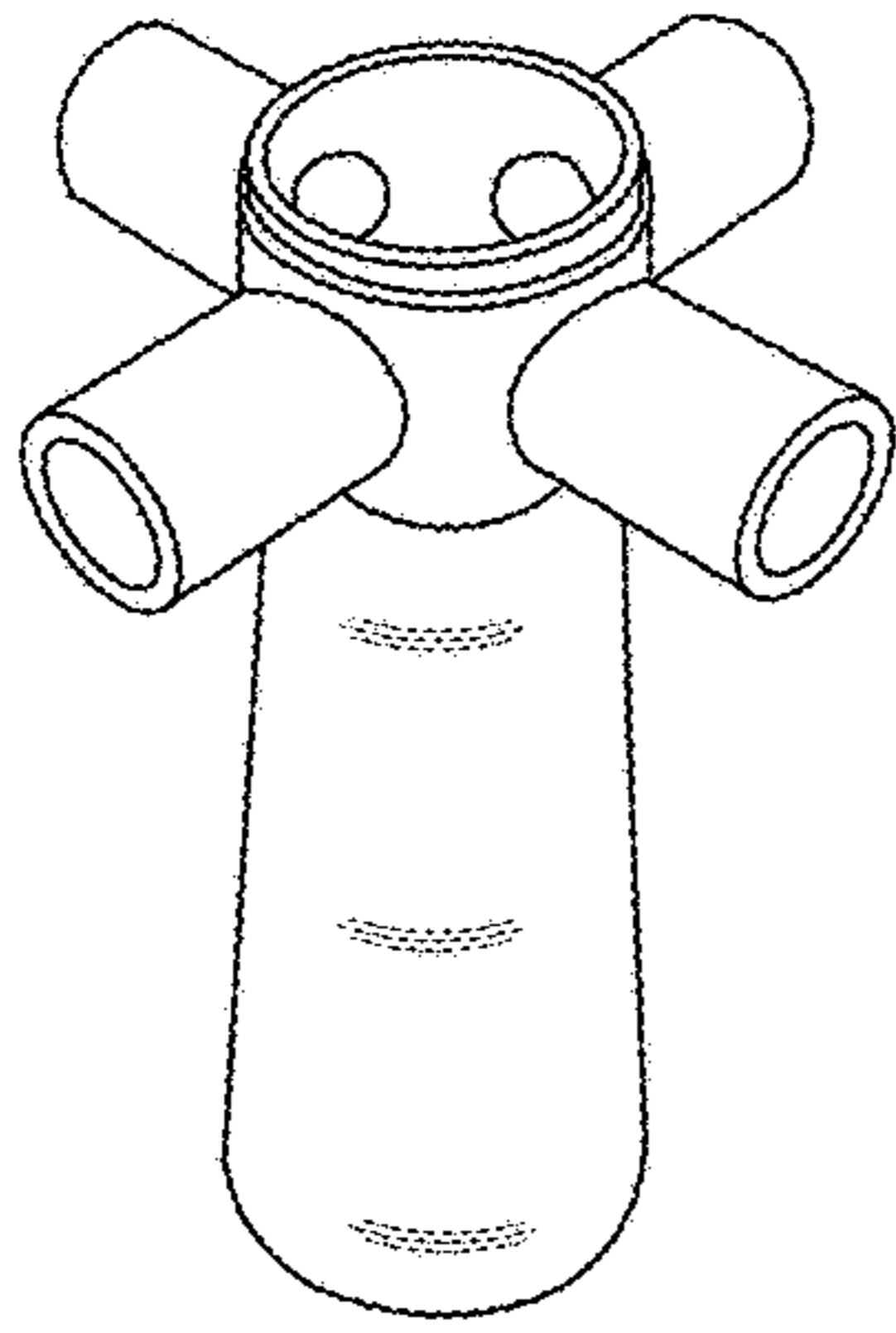


FIG. 1

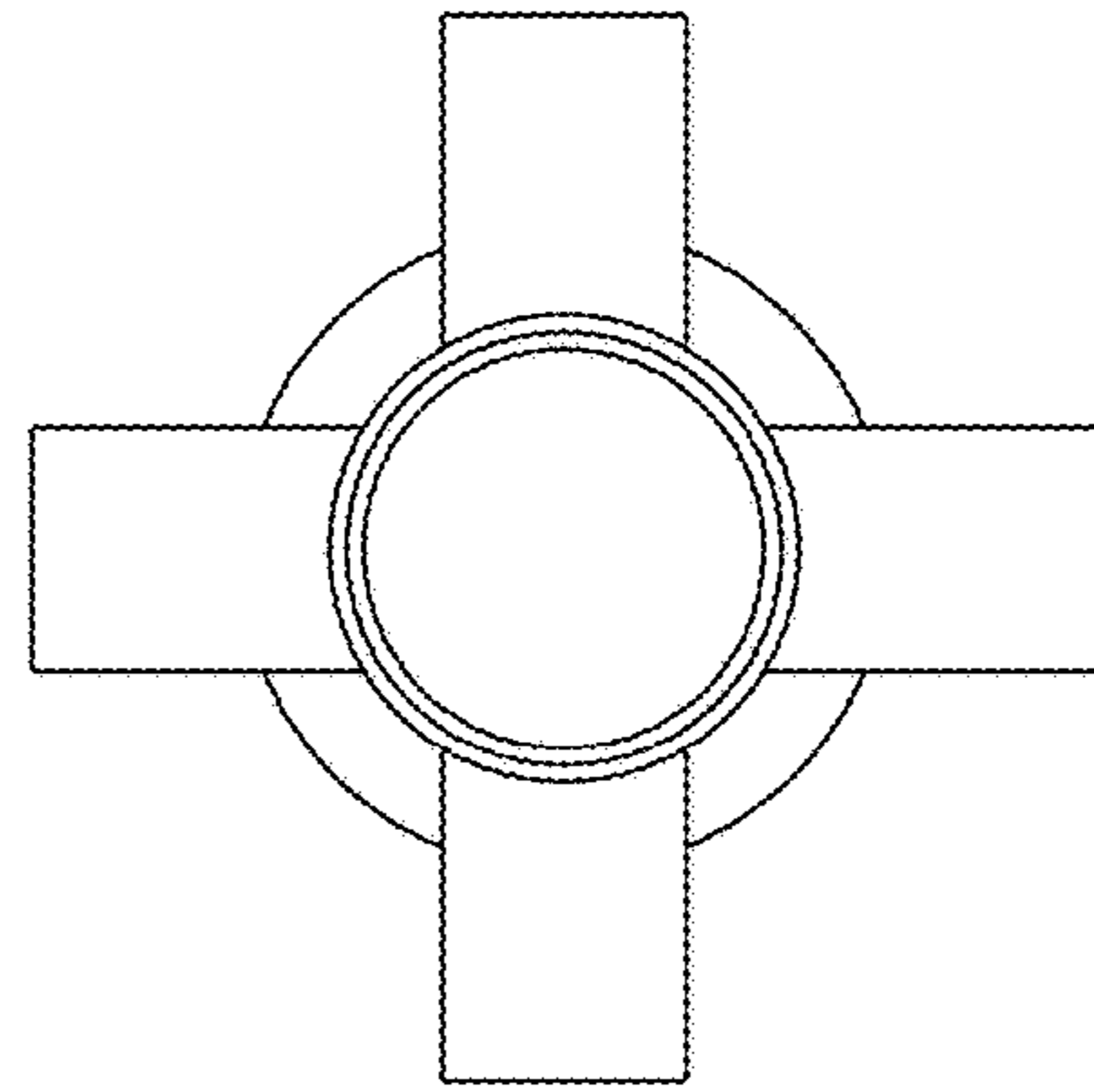


FIG. 2

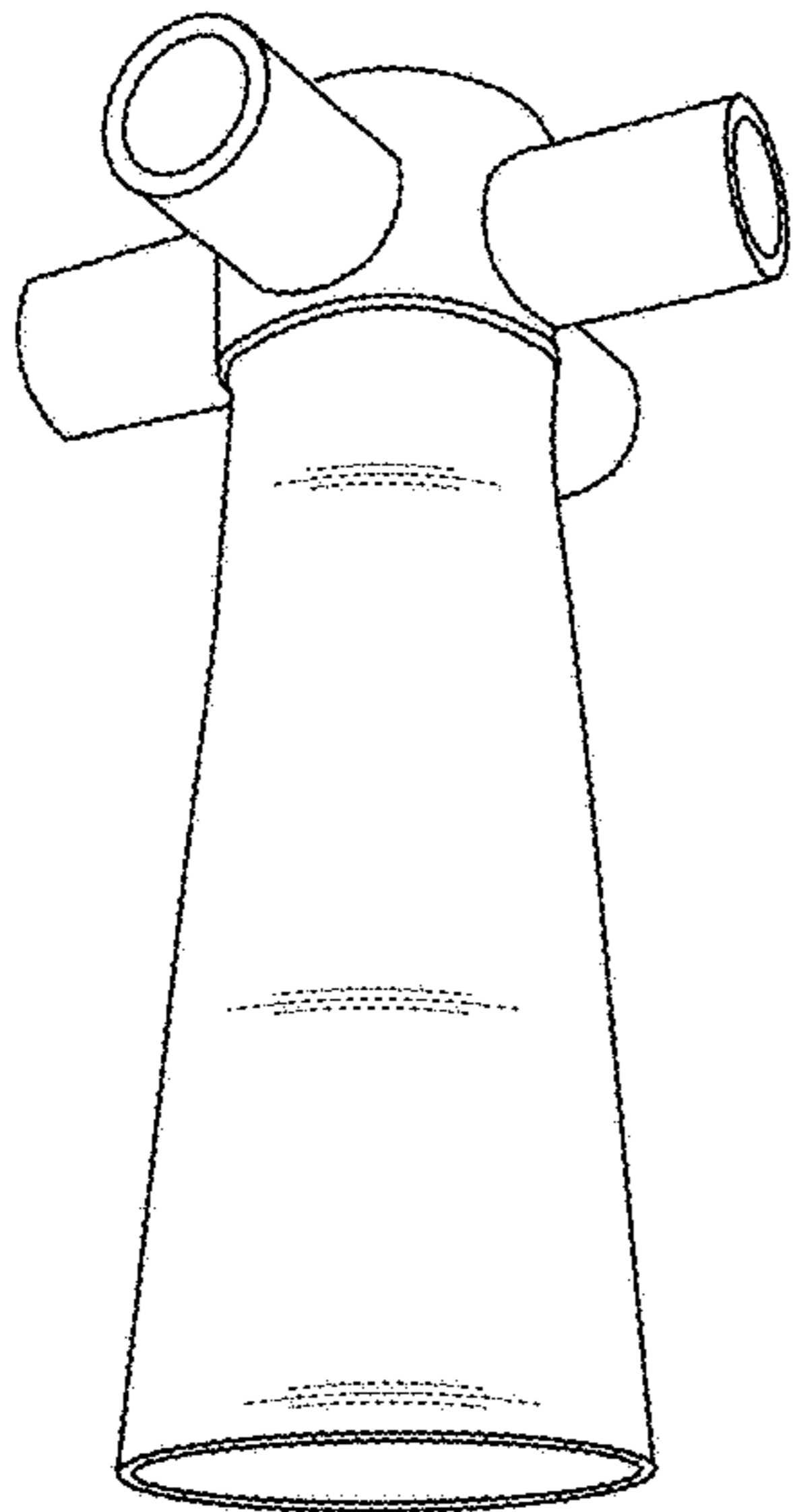


FIG. 3

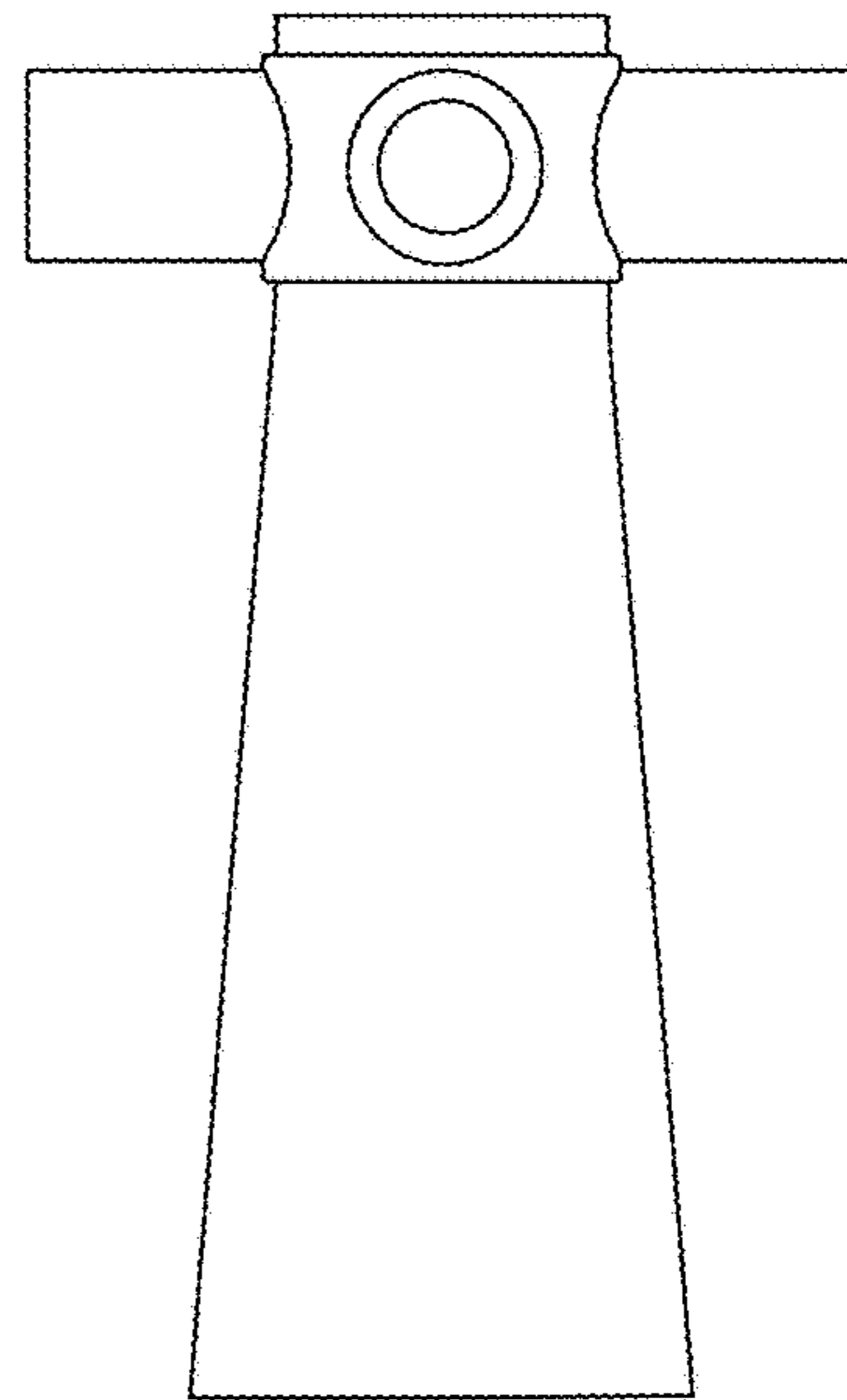


FIG. 4