



US00D820054S

(12) **United States Design Patent**
Hertaus

(10) **Patent No.:** **US D820,054 S**
(45) **Date of Patent:** **** Jun. 12, 2018**

- (54) **TRAY HOLDER**
- (71) Applicant: **Vision Home Products, Inc.**, Le Sueur, MN (US)
- (72) Inventor: **Alan Hertaus**, Le Sueur, MN (US)
- (73) Assignee: **Vision Home Products, Inc.**, Le Sueur, MN (US)
- (**) Term: **15 Years**
- (21) Appl. No.: **29/576,446**
- (22) Filed: **Sep. 2, 2016**
- (51) **LOC (11) Cl.** **07-06**
- (52) **U.S. Cl.**
USPC **D7/701**
- (58) **Field of Classification Search**
USPC D3/304, 306, 307, 315; D6/512, 672, D6/680.2, 681; D7/601, 602, 608, 701, D7/704, 708; D9/434, 499; D24/227, D24/229, 230; D32/55, 58, 65
CPC A47J 47/16; A47J 31/4403
See application file for complete search history.

- D789,162 S * 6/2017 Almaguer D7/701
- D789,750 S * 6/2017 Noe D7/600.1
- D792,165 S * 7/2017 Cauwood D7/600.4

OTHER PUBLICATIONS

Ebay. Bathtub Rack Bamboo Shelf Shower Tub Book Reading Tray Holder Stand Expandable. Aug. 18, 2017 [earliest online date], [site visited Aug. 22, 2017]. Available from Internet, URL:<http://www.ebay.com/itm/Bathtub-Rack-Bamboo-Shelf-Shower-Tub-Book-Reading-Tray-Holder-Stand-Expandable-/112317292288> (Year: 2017).*

(Continued)

Primary Examiner — Eric L Goodman
Assistant Examiner — Darcey E Heflin
(74) *Attorney, Agent, or Firm* — Haugen Law Firm PLLP

(57) **CLAIM**

The ornamental design for a tray holder, as shown and described.

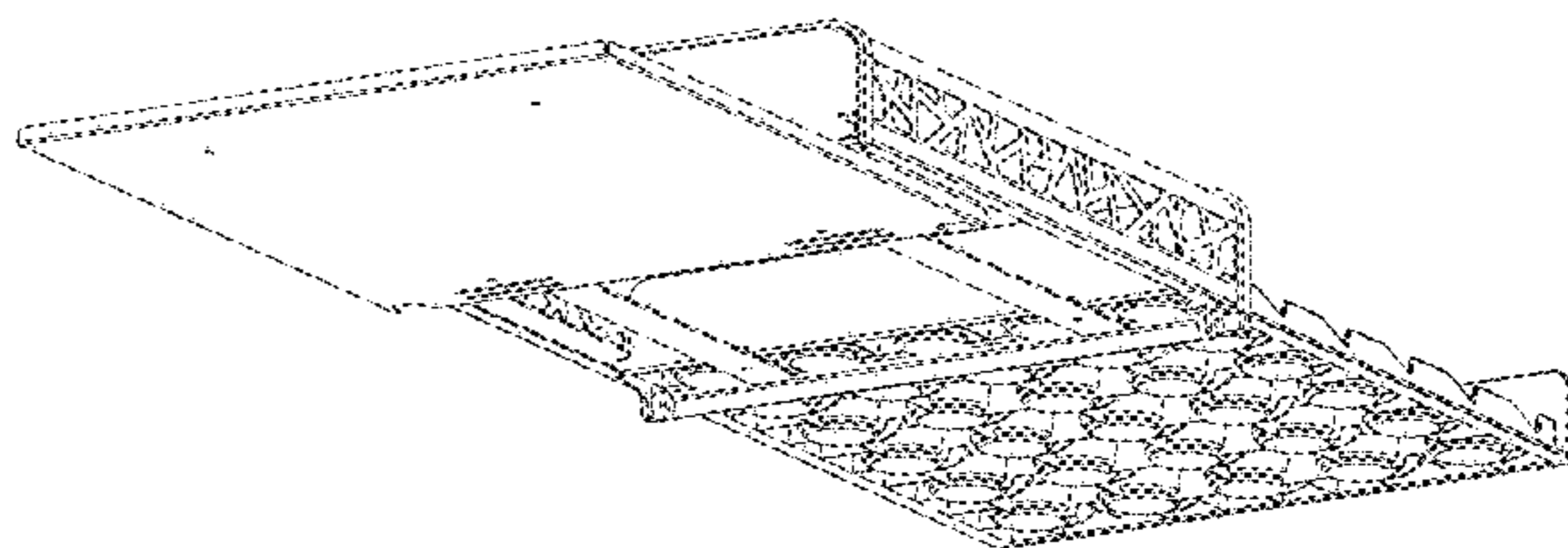
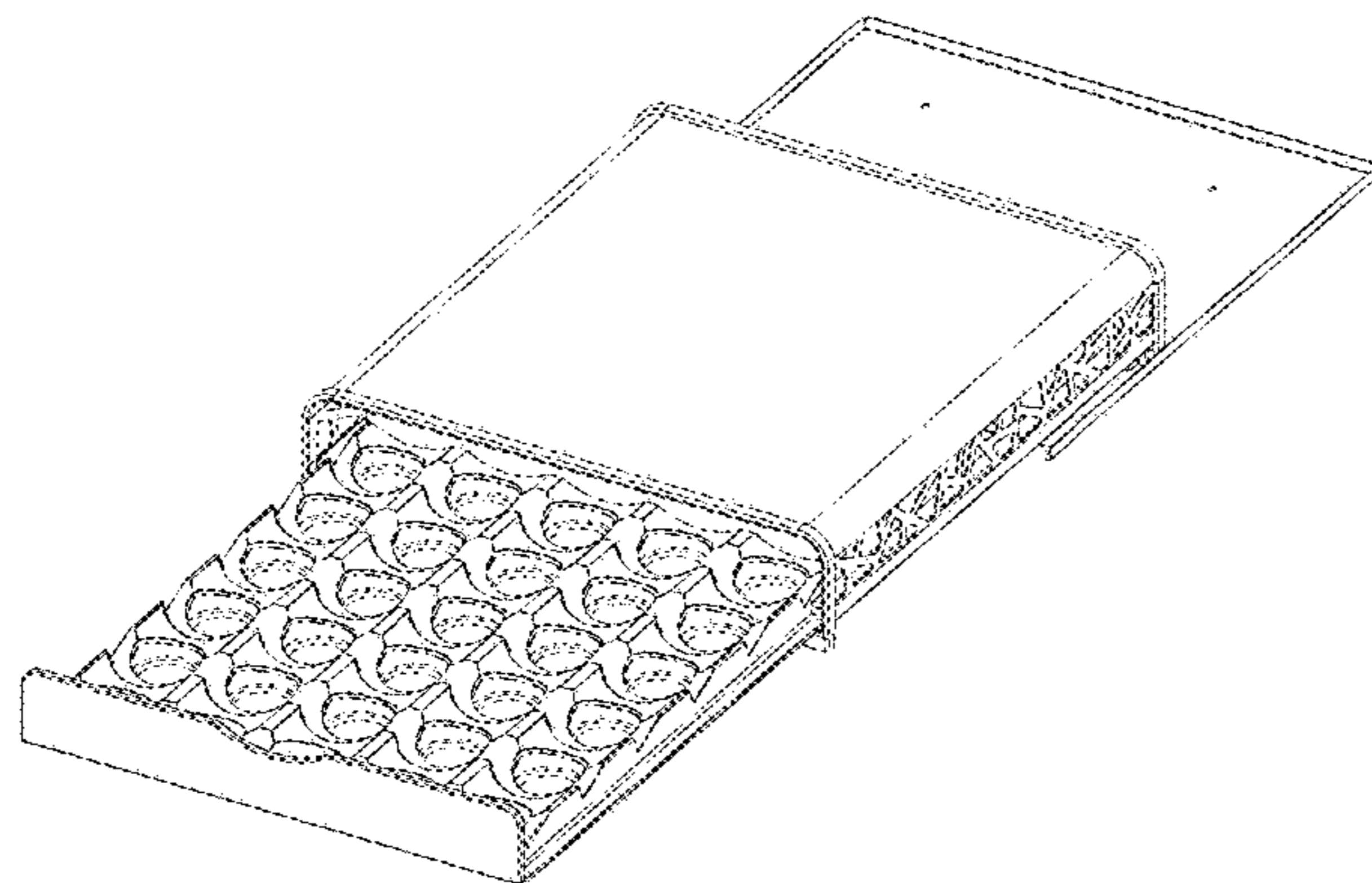
DESCRIPTION

FIG. 1 is a front top right-side perspective view of the tray holder of the present invention;
FIG. 2 is a front view thereof;
FIG. 3 is a back view thereof;
FIG. 4 is a left side view thereof;
FIG. 5 is a right side view thereof;
FIG. 6 is a top view thereof;
FIG. 7 is a bottom view thereof; and,
FIG. 8 is a bottom back left perspective view thereof.
The dash-dot-dash lines depict the boundary of the claim in FIGS. 1-8 and the evenly spaced broken lines in FIGS. 1-8 depict portions of the tray holder that form no part of the claimed design.

1 Claim, 8 Drawing Sheets

(56) **References Cited**
U.S. PATENT DOCUMENTS

- D167,567 S * 8/1952 French D9/456
- 3,211,290 A * 10/1965 Strickling B65B 21/18
209/522
- D616,268 S * 5/2010 Kulzer D7/701
- D616,715 S * 6/2010 Kulzer D7/701
- D619,860 S * 7/2010 Kulzer D7/553.2
- D684,404 S * 6/2013 Hertaus D6/705
- D695,078 S * 12/2013 Hertaus D7/600.1
- D700,053 S * 2/2014 Chudleigh D9/456
- D703,003 S * 4/2014 Tiemann D7/600.1
- D708,763 S * 7/2014 Smeja D24/229
- D734,867 S * 7/2015 Smeja D24/230
- D764,236 S * 8/2016 Hertaus D7/600.1
- D768,873 S * 10/2016 Stedman D24/227



(56)

References Cited

OTHER PUBLICATIONS

Ebay UK. Plastic egg trays. 2017 [earliest online date], [site visited Aug. 22, 2017]. Available from Internet, URL: <http://www.ebay.co.uk/itm/Plastic-egg-trays-x-10-seconds-see-description-/192279594340> (Year: 2017).*

Amazon. Home-it 42 K-cup Storage Holder Drawer for Keurig K-cup Coffee Pod Holder Keurig K Cup Holders. Jul. 24, 2014 [earliest online date], [site visited Aug. 22, 2017]. Available from Internet, URL: <https://www.amazon.com/dp/B00GS7V7FQ?psc=1> (Year: 2014).*

* cited by examiner

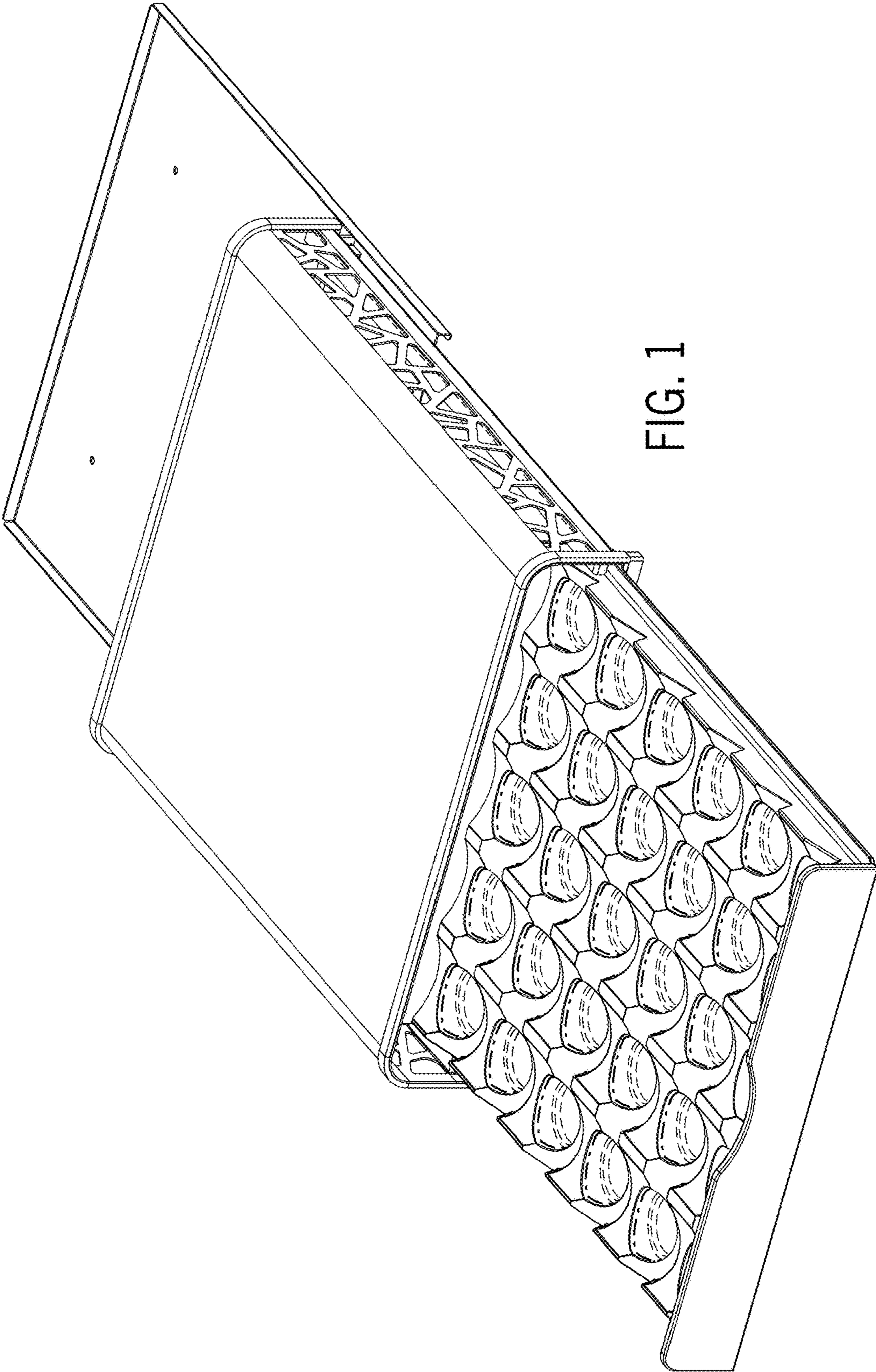


FIG. 1

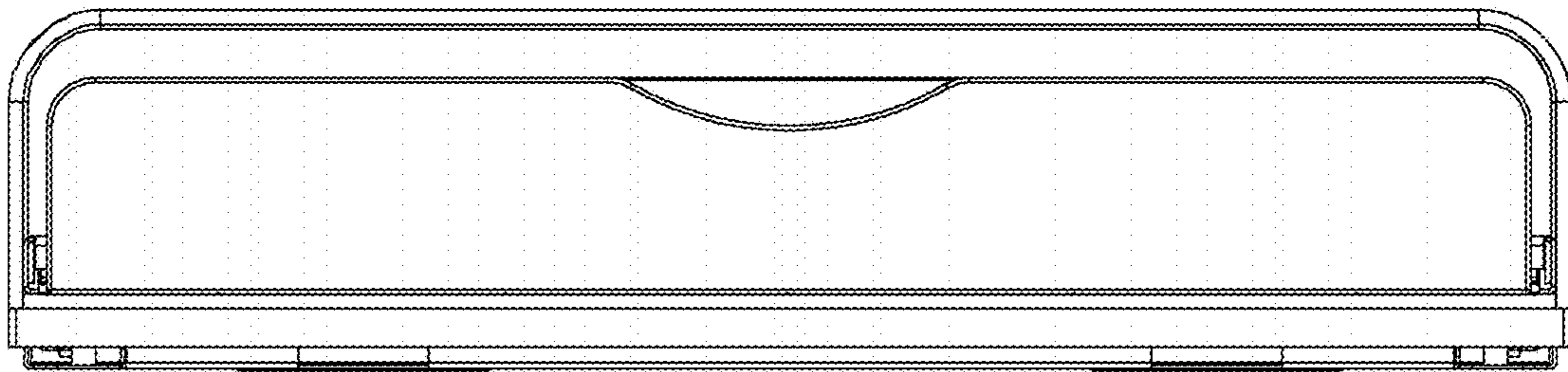


FIG. 2

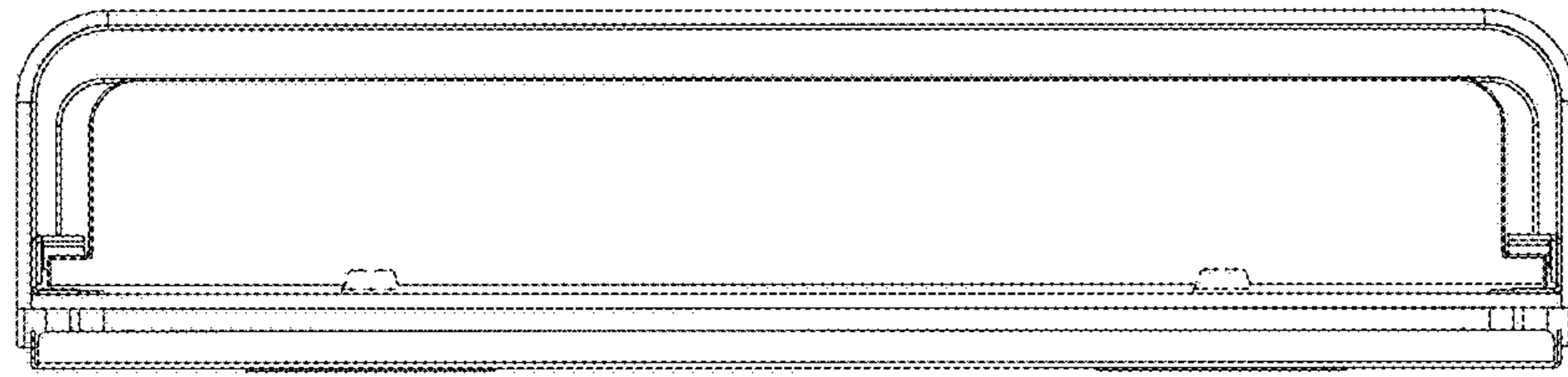


FIG. 3

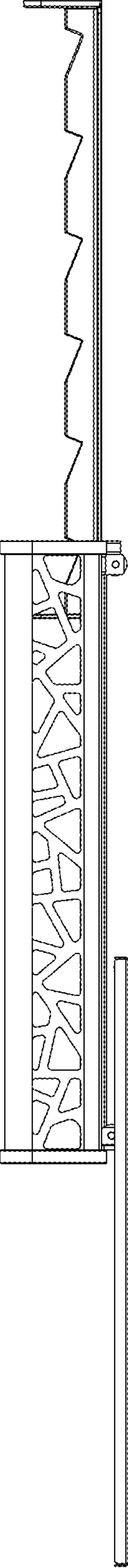


FIG. 4

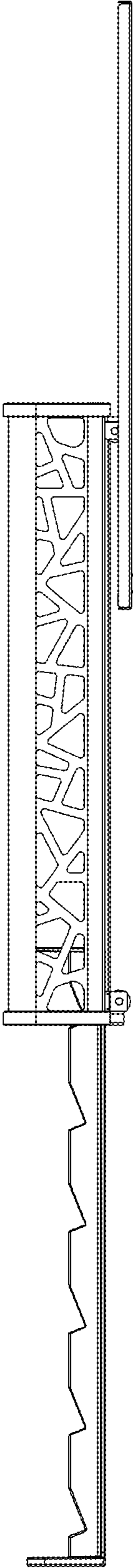


FIG. 5

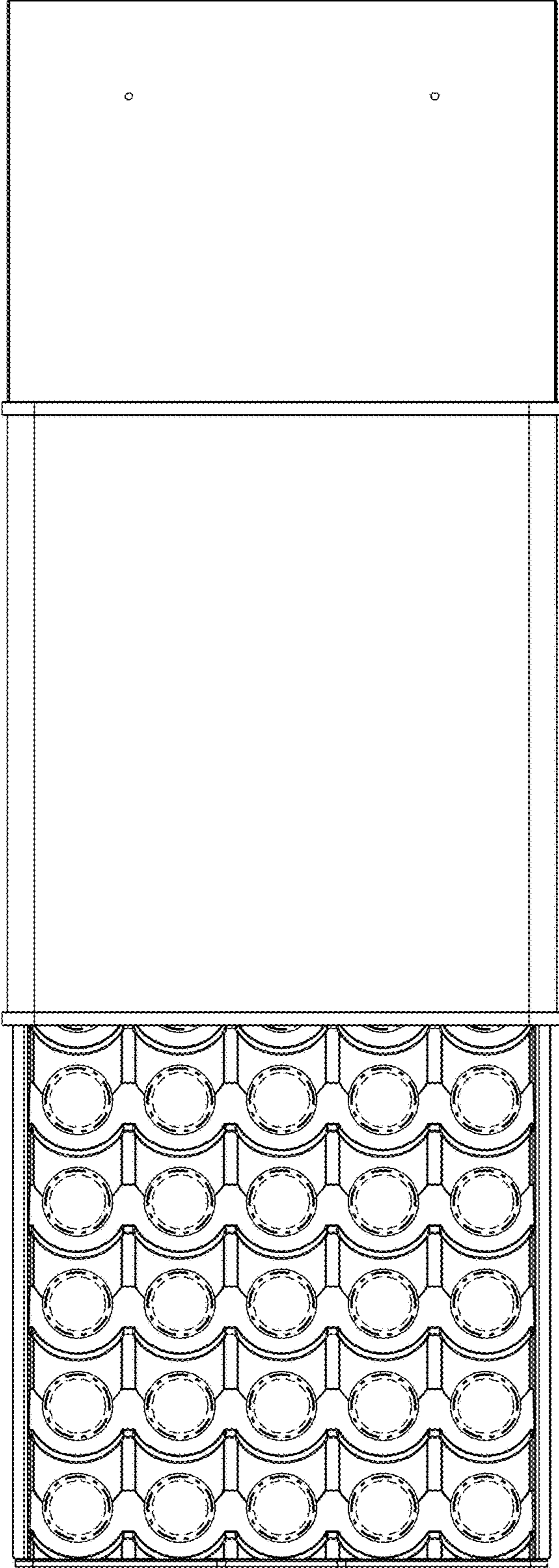


FIG. 6

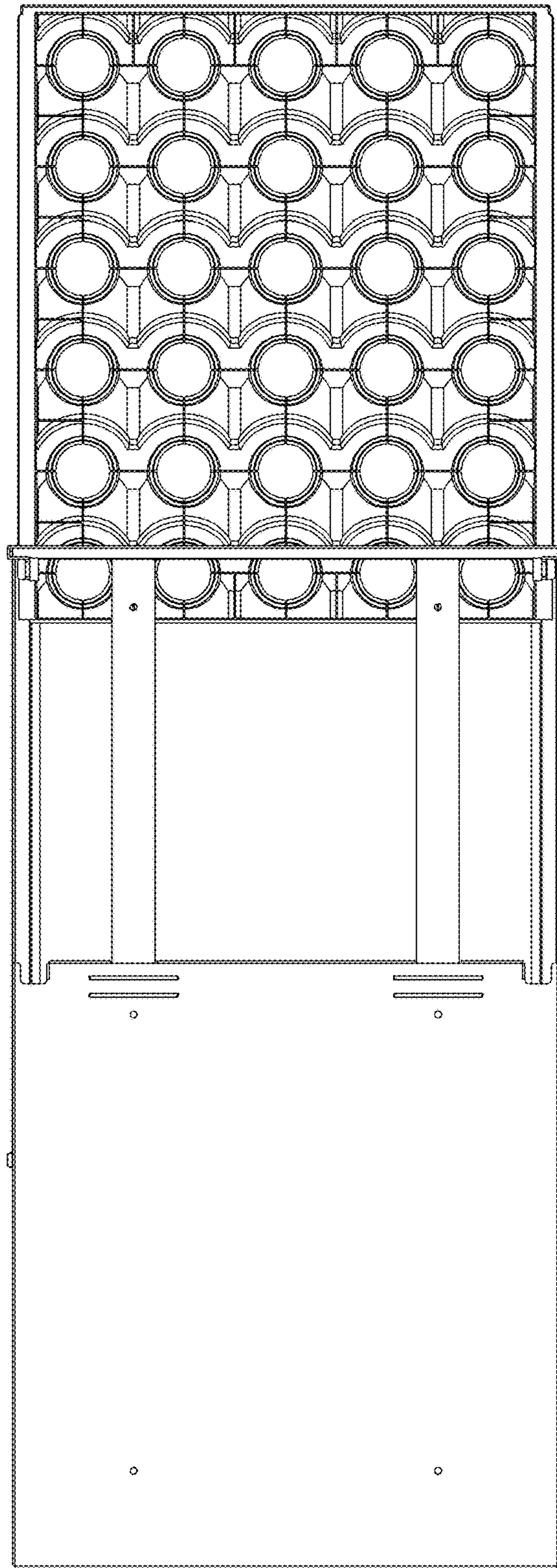


FIG. 7

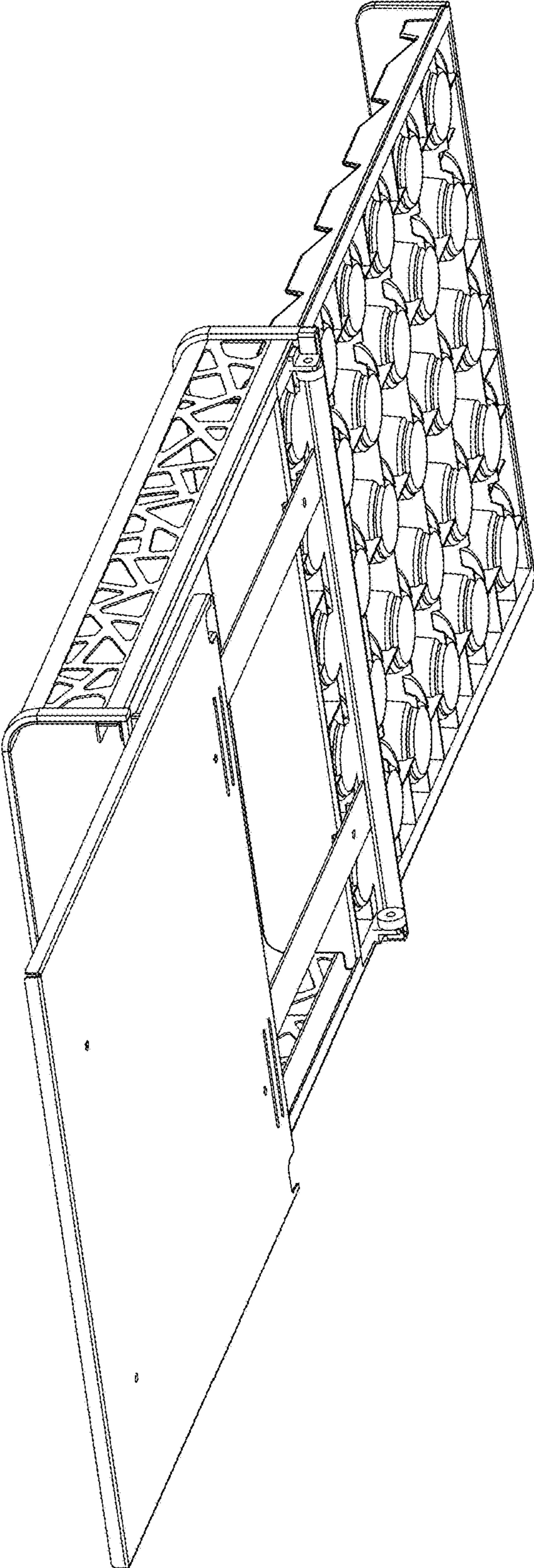


FIG. 8