



US00D820051S

(12) **United States Design Patent**
Nash

(10) **Patent No.:** **US D820,051 S**
(45) **Date of Patent:** **** Jun. 12, 2018**

- (54) **DRINK COOLER**
- (71) Applicant: **Wanda Jane Nash**, Westland, MI (US)
- (72) Inventor: **Wanda Jane Nash**, Westland, MI (US)
- (**) Term: **15 Years**
- (21) Appl. No.: **29/589,546**
- (22) Filed: **Jan. 3, 2017**
- (51) **LOC (11) Cl.** **07-06**
- (52) **U.S. Cl.**
USPC **D7/624.2; D7/607**
- (58) **Field of Classification Search**
USPC D7/619.1-625, 603-608
CPC ... A45C 11/20; A45F 5/02; A45F 3/16; F25D
3/08; F25D 3/14; F25D 2331/804; B65D
81/3886; B65D 81/3823; B65D 81/3897
See application file for complete search history.

- 6,073,796 A * 6/2000 Mogil A45F 3/16
215/12.1
- D432,873 S * 10/2000 Fair D7/607
- D470,310 S * 2/2003 Walley D7/607
- D614,001 S * 4/2010 Welch D7/605
- D666,060 S * 8/2012 Welch D7/606
- D714,100 S * 9/2014 Hiner D7/607
- D738,727 S * 9/2015 McConnell D9/499
- D766,570 S * 9/2016 Kao D3/229

* cited by examiner

Primary Examiner — Terry A Wallace

(74) *Attorney, Agent, or Firm* — Dunlap Bennett & Ludwig PLLC

(57) **CLAIM**

The ornamental design for a drink cooler, as shown and described.

DESCRIPTION

FIG. 1 is a perspective view of a drink cooler; FIG. 2 is a left elevation view thereof; FIG. 3 is a front elevation view thereof; FIG. 4 is a right elevation view thereof; FIG. 5 is a rear elevation view thereof; and, FIG. 6 is a top plan view thereof.

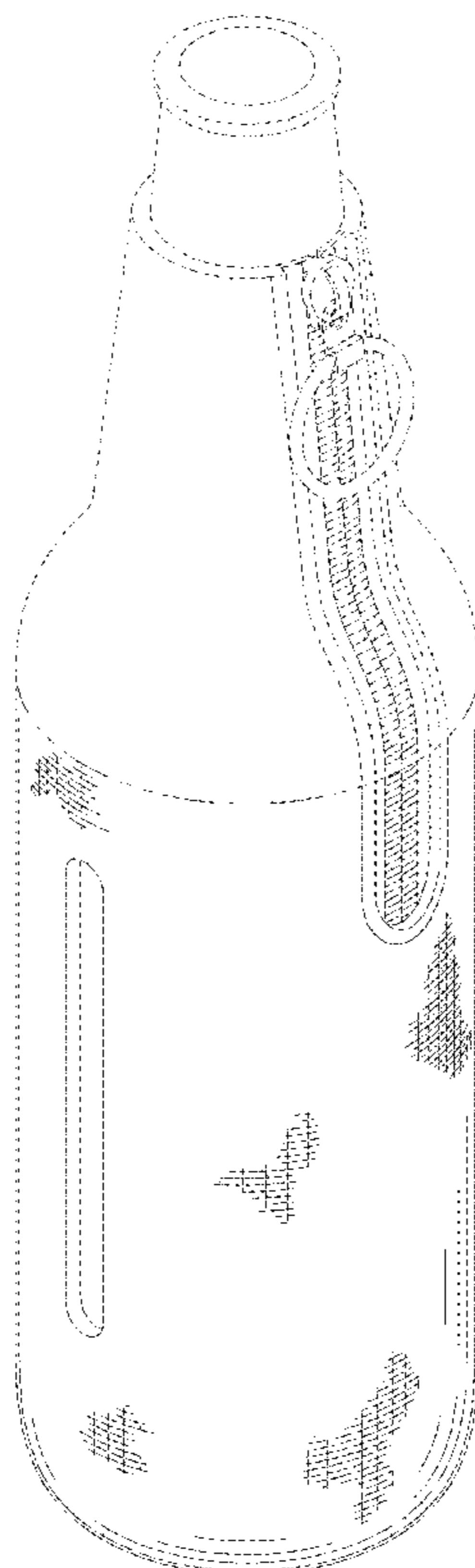
The broken lines showing a bottle depicts environmental subject matter that forms no part of the claimed design, while the remaining broken lines shown in the drawings depict portions of the drink cooler that form no part of the claimed design.

1 Claim, 4 Drawing Sheets

(56) **References Cited**

U.S. PATENT DOCUMENTS

- 2,376,194 A * 5/1945 Samuels B65D 65/08
215/12.1
- 4,871,597 A * 10/1989 Hobson B65D 81/3886
428/36.1
- 5,680,958 A * 10/1997 Mann A45F 3/14
220/739
- 5,915,580 A * 6/1999 Melk B65D 23/08
215/386



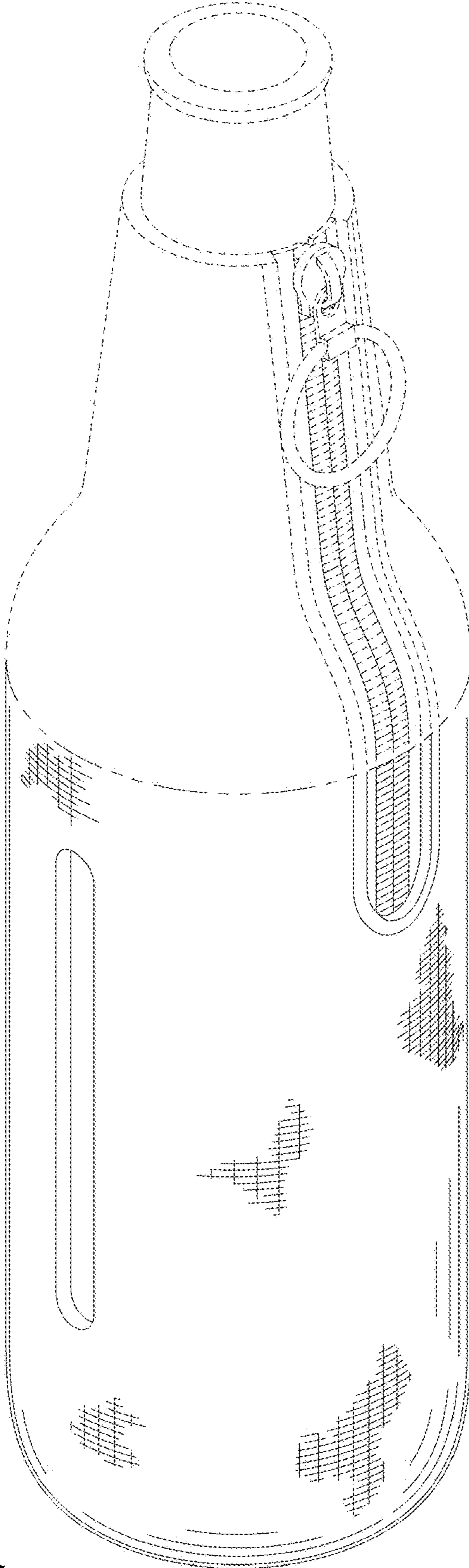


FIG.1

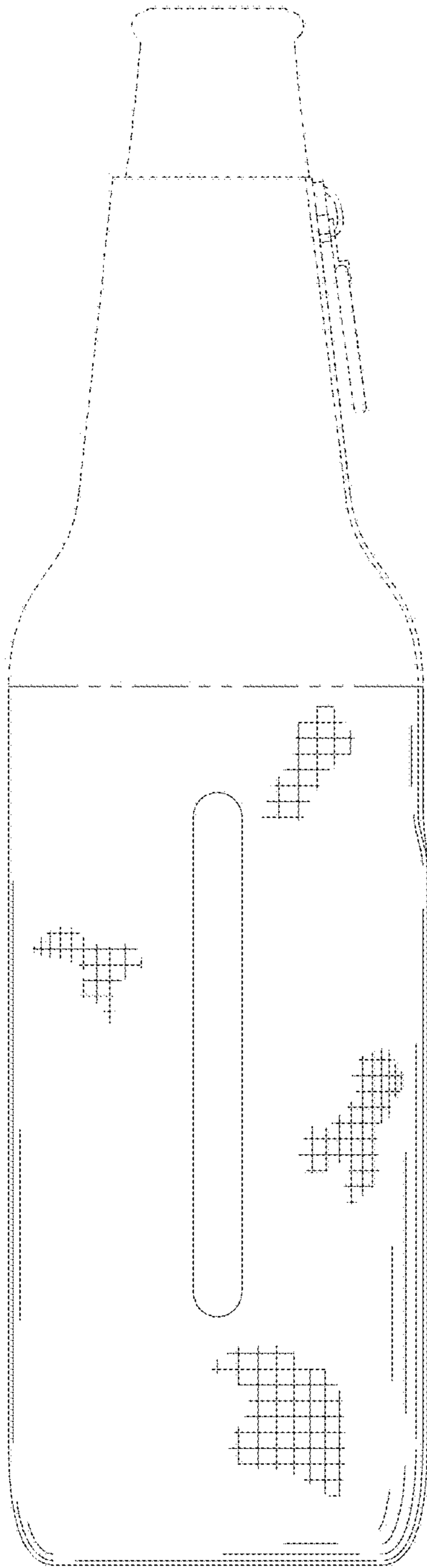


FIG. 2

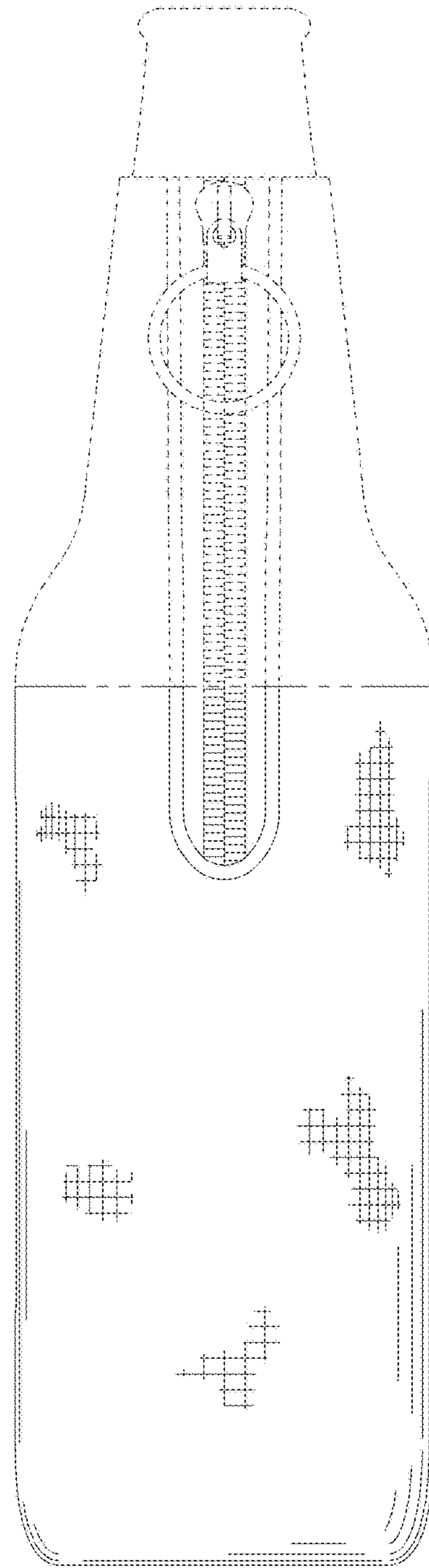


FIG. 3

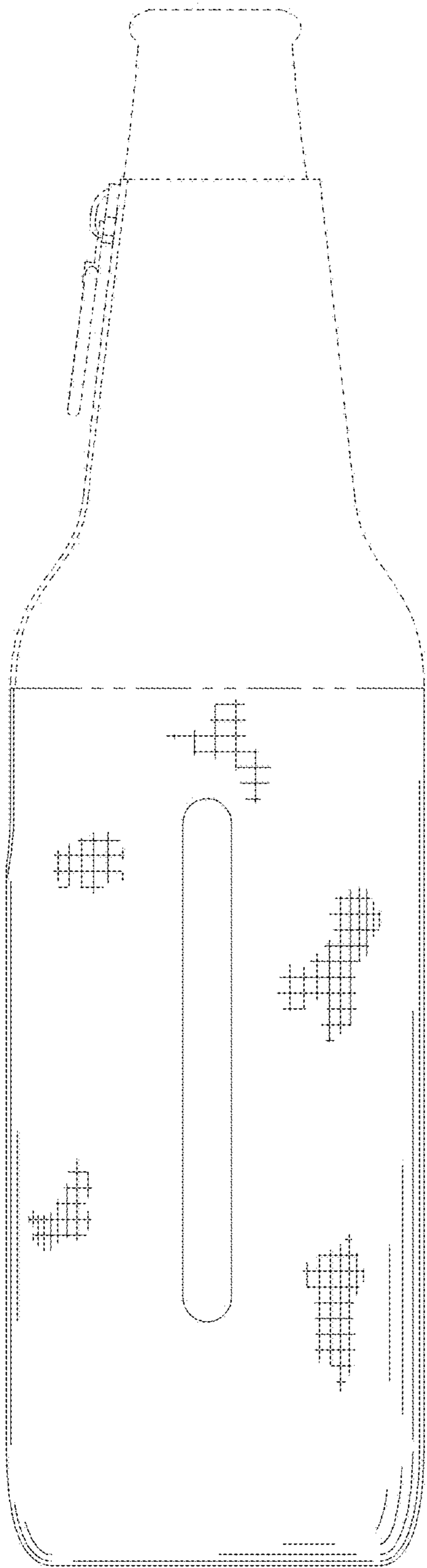


FIG. 4

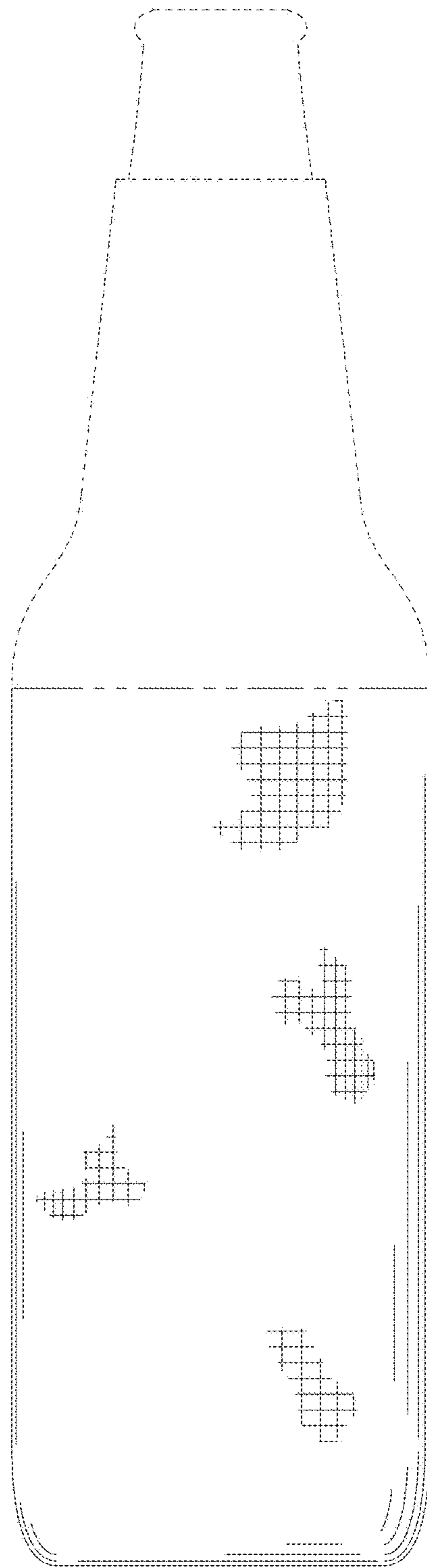


FIG. 5

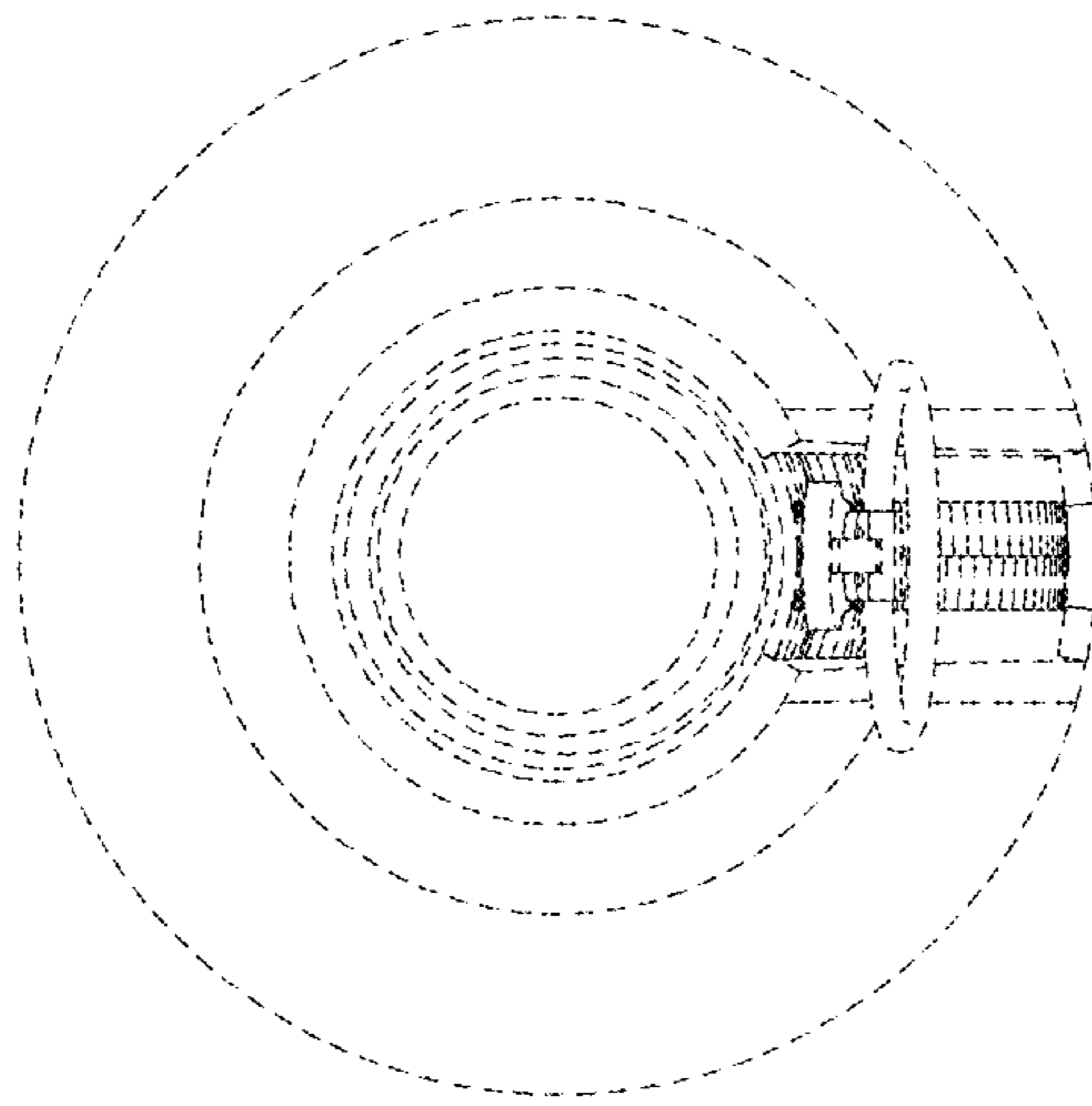


FIG.6