



US00D820050S

(12) **United States Design Patent**
Bergin

(10) **Patent No.:** **US D820,050 S**
(45) **Date of Patent:** **** Jun. 12, 2018**

- (54) **CUP HOLDER**
- (71) Applicant: **Caddy Products, Inc.**, Palm Desert, CA (US)
- (72) Inventor: **Peter W. A. Bergin**, Rancho Mirage, CA (US)
- (73) Assignee: **CADDY PRODUCTS, INC.**, Palm Desert, CA (US)
- (**) Term: **15 Years**
- (21) Appl. No.: **29/585,323**
- (22) Filed: **Nov. 22, 2016**
- (51) **LOC (11) Cl.** **07-06**
- (52) **U.S. Cl.**
USPC **D7/620**
- (58) **Field of Classification Search**
USPC D7/619.1-625, 701-708; D12/419, 420; D34/27
CPC B62B 2202/023; B62B 3/1472; A47G 23/0216; A47G 23/0208; B60N 3/10
See application file for complete search history.

- D425,012 S * 5/2000 Bergin D12/419
- 6,641,101 B2 * 11/2003 Bergin A47C 7/62
248/223.41
- D516,393 S * 3/2006 Wickenhauser D7/619.1
- RE39,392 E 11/2006 Bergin
- D548,015 S 8/2007 Bergin
- D559,630 S 1/2008 Bergin
- 7,344,056 B2 * 3/2008 Shelmon B60N 3/002
220/8
- D574,669 S * 8/2008 Bergin D7/620
- D604,564 S * 11/2009 Walter D7/620
- RE41,624 E 9/2010 Bergin
- D635,832 S 4/2011 Bergin
- 2011/0139948 A1 6/2011 Bergin

* cited by examiner

Primary Examiner — Terry A Wallace

(74) *Attorney, Agent, or Firm* — Westman, Champlin & Koehler, P.A.; Z. Peter Sawicki

(57) **CLAIM**

The ornamental design for a cup holder, as shown and described.

DESCRIPTION

FIG. 1 is a right side perspective view of a cup holder; FIG. 2 is a left side view of the cup holder; FIG. 3 is a right side view of the cup holder; FIG. 4 is a front view of the cup holder; and, FIG. 5 is a top view of the cup holder.

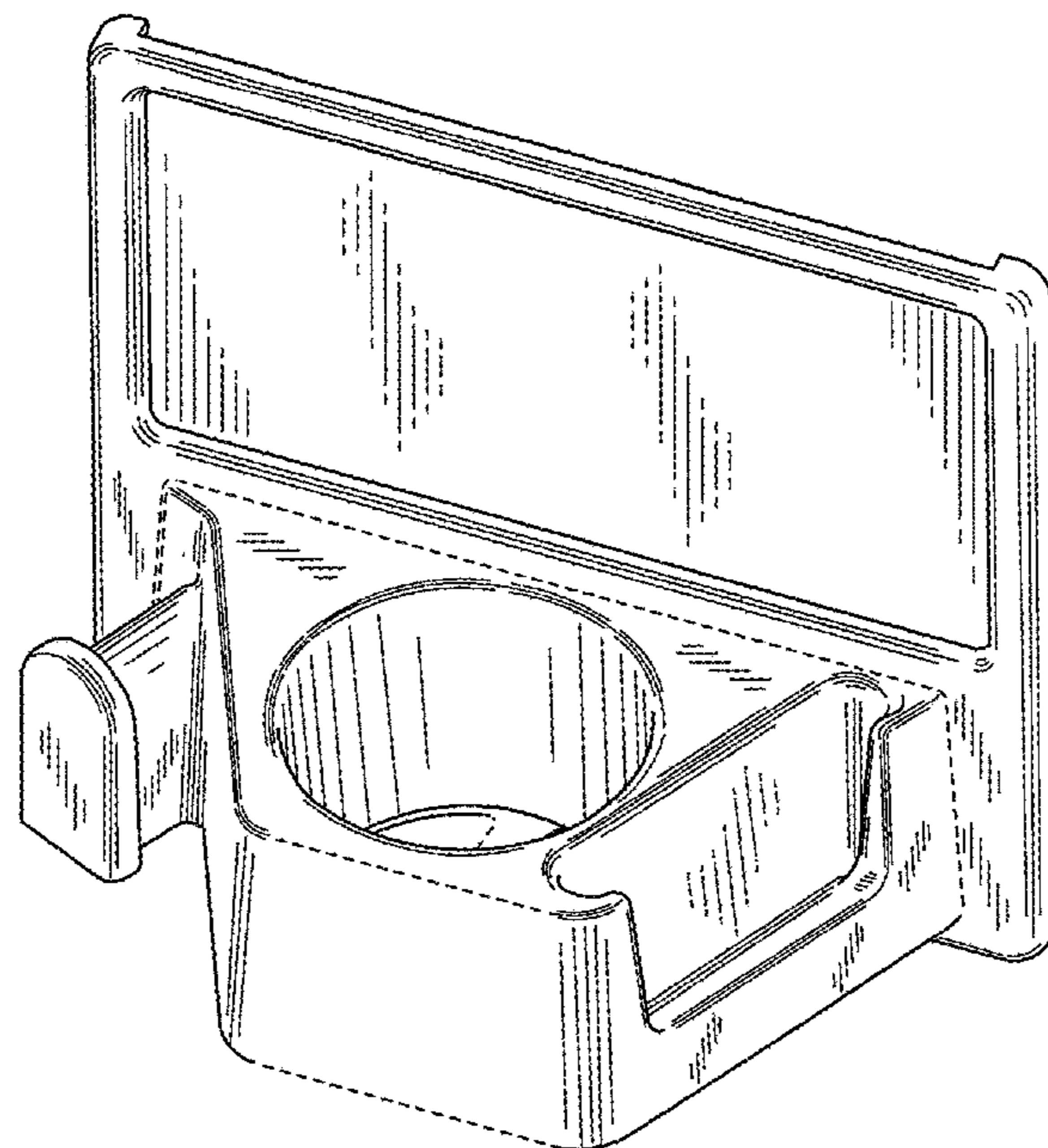
The broken lines are for illustrative purposes only and form no part of the claimed design. The bottom and rear side of the cup holder are not visible during normal use and form no part of the claimed design.

1 Claim, 4 Drawing Sheets

(56) **References Cited**

U.S. PATENT DOCUMENTS

- D365,250 S * 12/1995 Bergin D7/620
- 5,531,238 A * 7/1996 Azzarelli A61H 3/00
135/66
- D383,284 S * 9/1997 Lines D12/419
- D400,678 S * 11/1998 Clark D34/27
- 5,938,091 A * 8/1999 Bergin B62B 3/1472
224/411



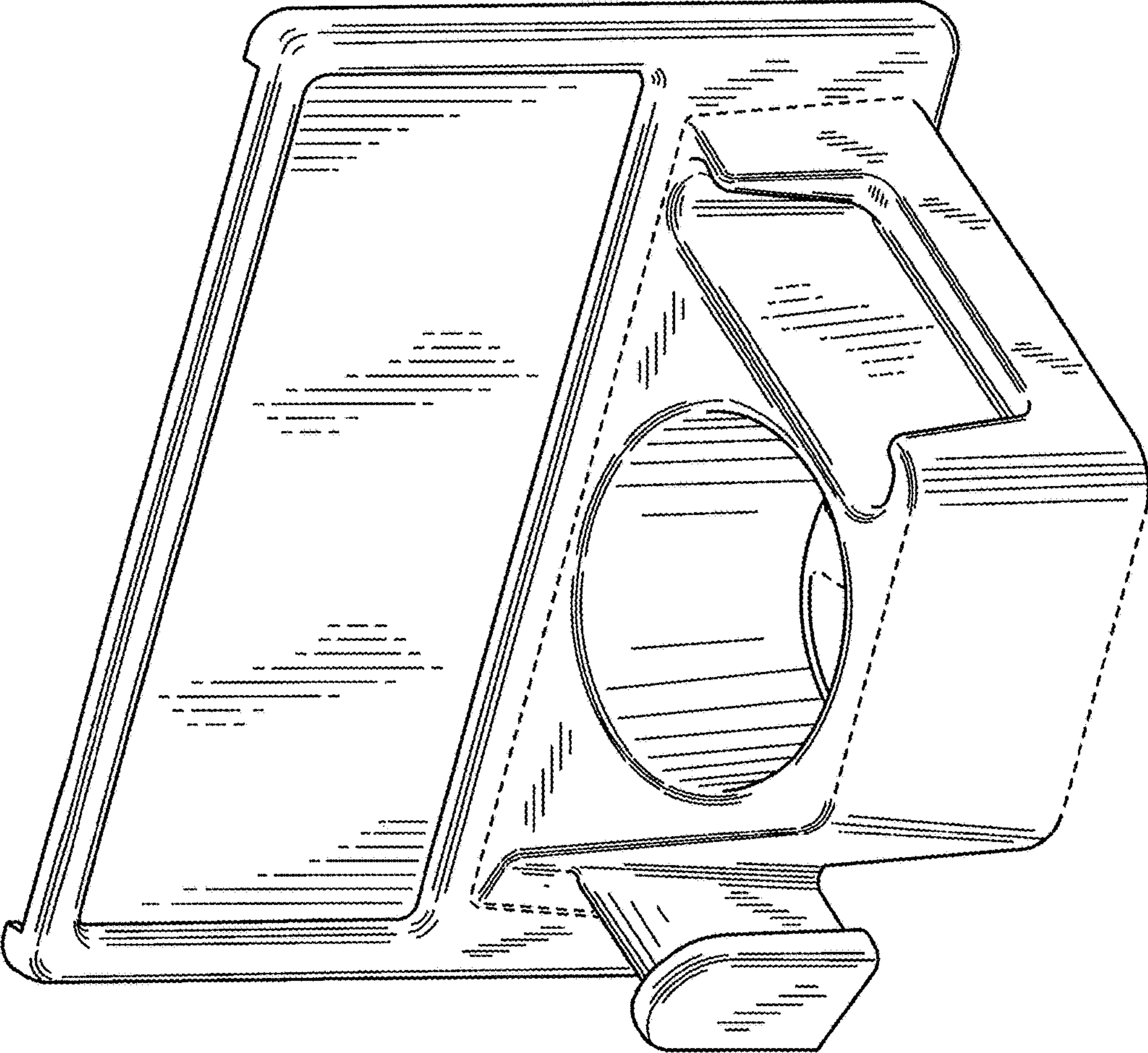


FIG. 1

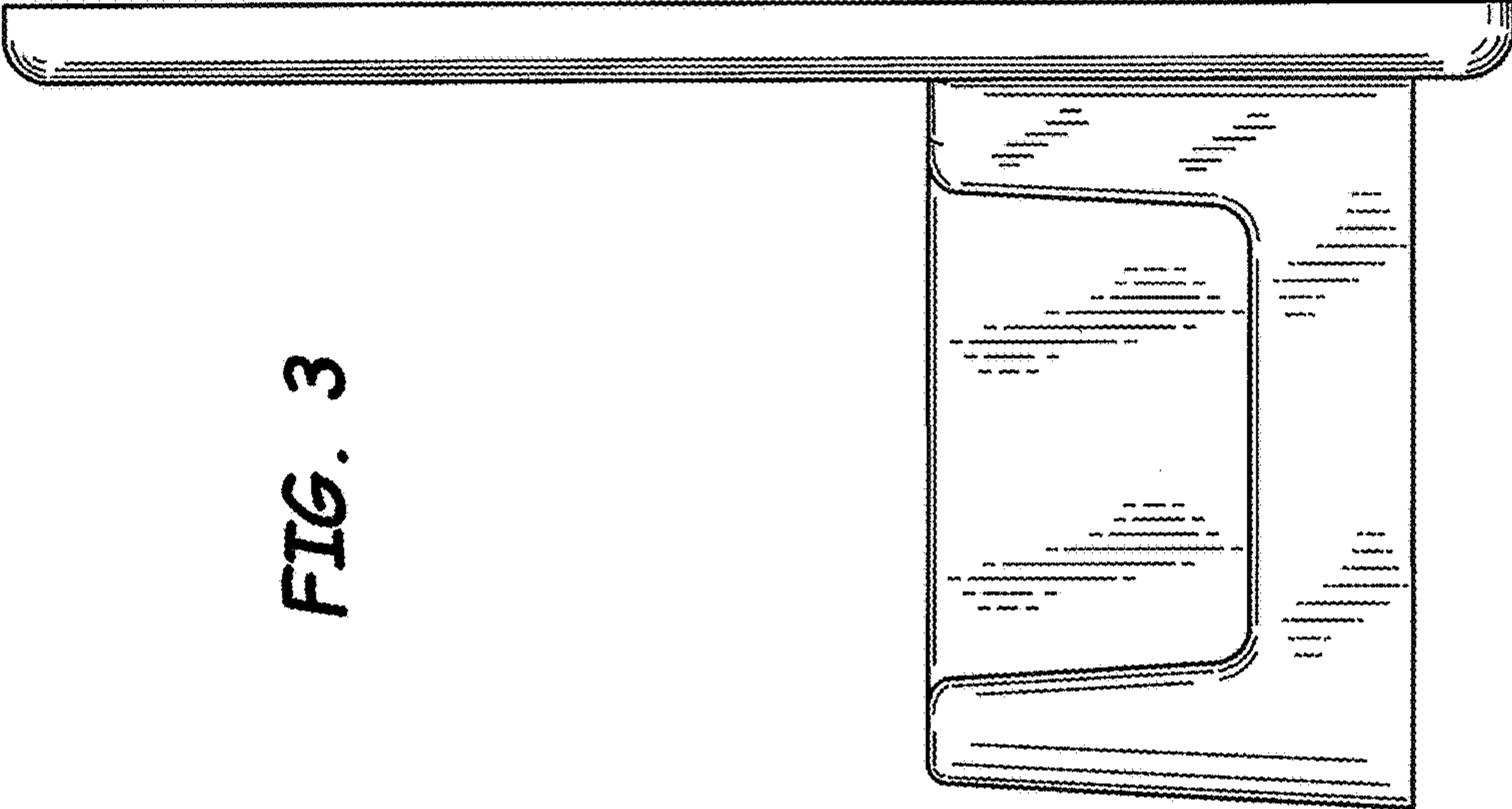


FIG. 3

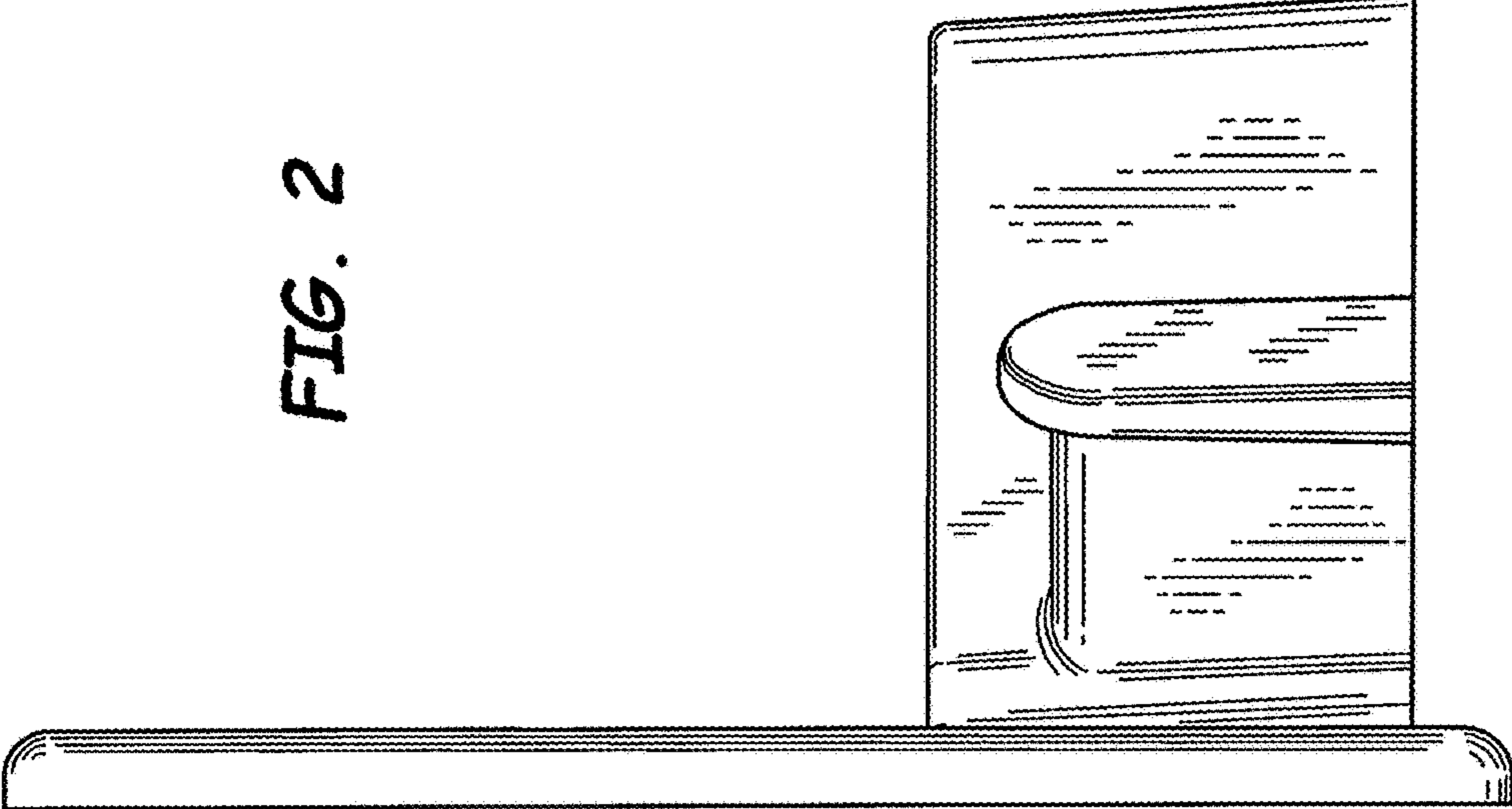


FIG. 2

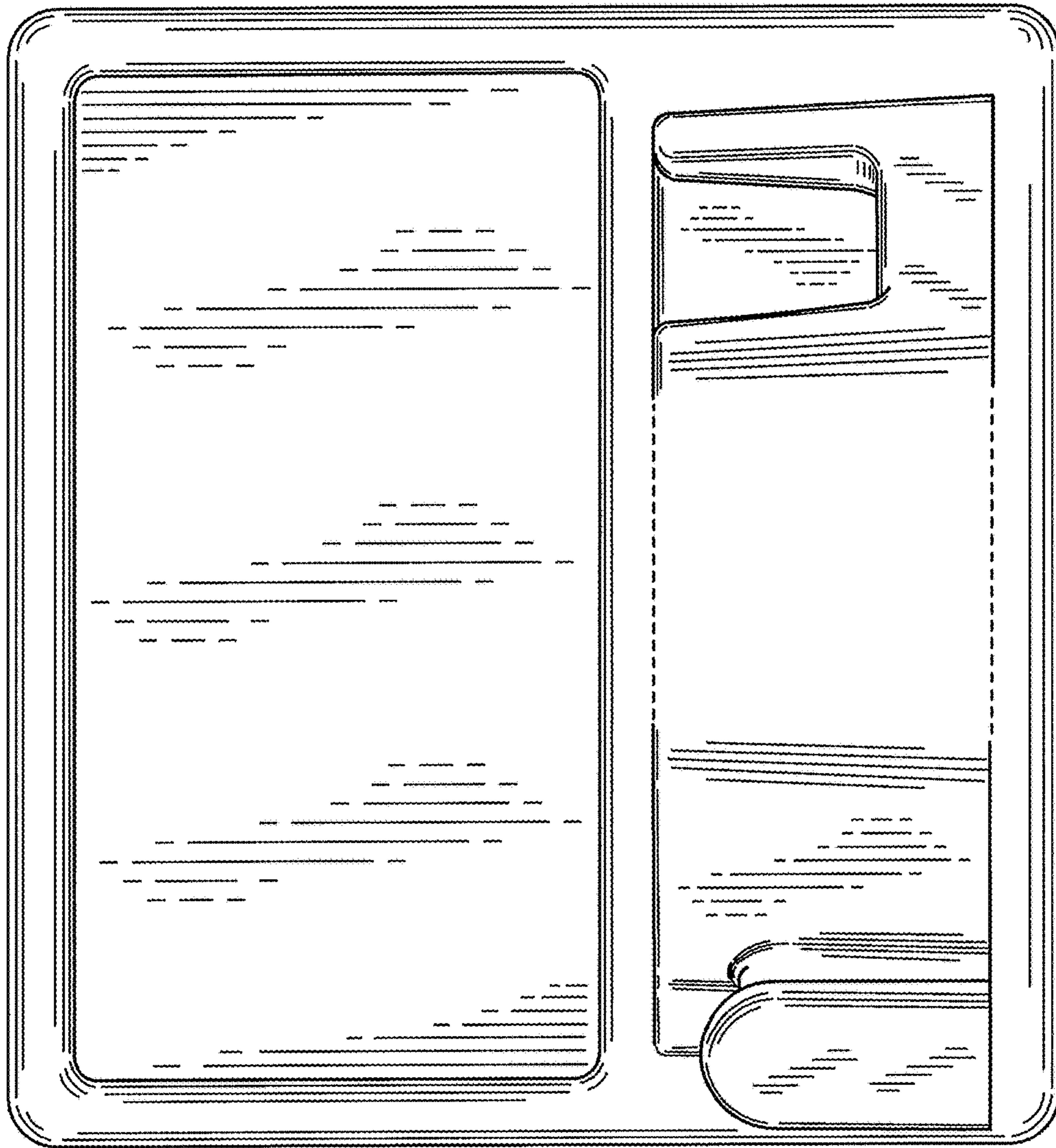


FIG. 4

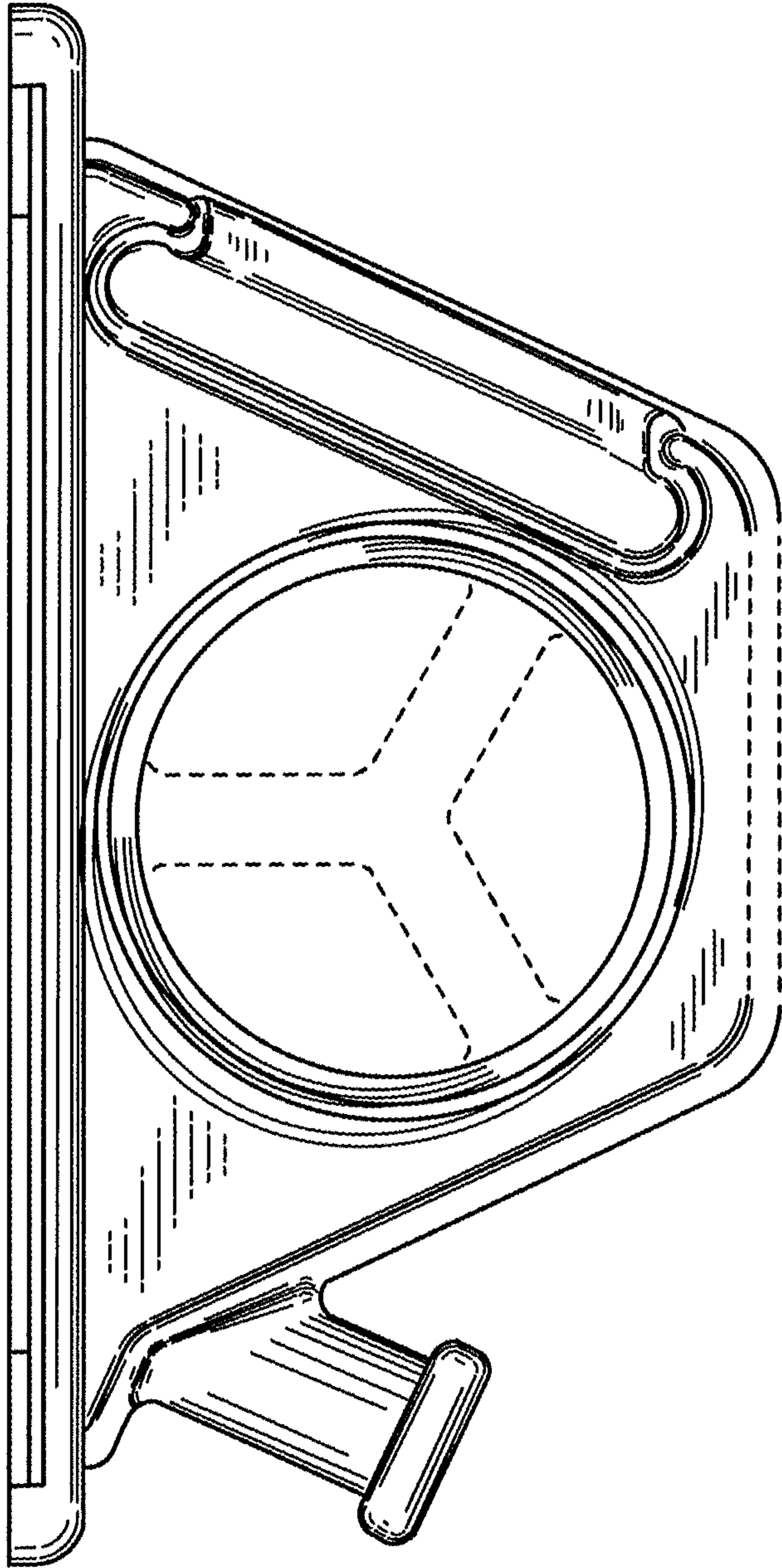


FIG. 5