



US00D820047S

(12) **United States Design Patent**
Wu

(10) **Patent No.:** **US D820,047 S**

(45) **Date of Patent:** **** Jun. 12, 2018**

(54) **QUADRATE PLATE**

(71) Applicant: **Jingdong Wu**, Taishan (CN)

(72) Inventor: **Jingdong Wu**, Taishan (CN)

(**) Term: **15 Years**

(21) Appl. No.: **29/585,991**

(22) Filed: **Nov. 30, 2016**

(51) **LOC (11) Cl.** **07-01**

(52) **U.S. Cl.**
USPC **D7/545**

(58) **Field of Classification Search**
USPC D7/584, 585, 500, 545, 543, 553.2
CPC A47G 19/03; A47G 19/00
See application file for complete search history.

(56) **References Cited**

U.S. PATENT DOCUMENTS

D404,258 S *	1/1999	Indekeu	D7/545
D431,421 S *	10/2000	Liu	D7/545
D528,376 S *	9/2006	Munson	D7/356
D530,982 S *	10/2006	Faktorovich	D7/549
D540,711 S *	4/2007	Howard	D11/155
D628,450 S *	12/2010	Kulzer	D7/553.2

D643,266 S *	8/2011	Kulzer	D7/553.2
D732,896 S *	6/2015	Ludeman	D7/545
D735,534 S *	8/2015	Berlepsch	D7/545
D786,514 S *	5/2017	Stricklin	D30/161
D792,277 S *	7/2017	Davis	D11/143
D793,252 S *	8/2017	Prince	D9/755

* cited by examiner

Primary Examiner — Cynthia R Underwood
(74) *Attorney, Agent, or Firm* — Schmeiser, Olsen & Watts, LLP

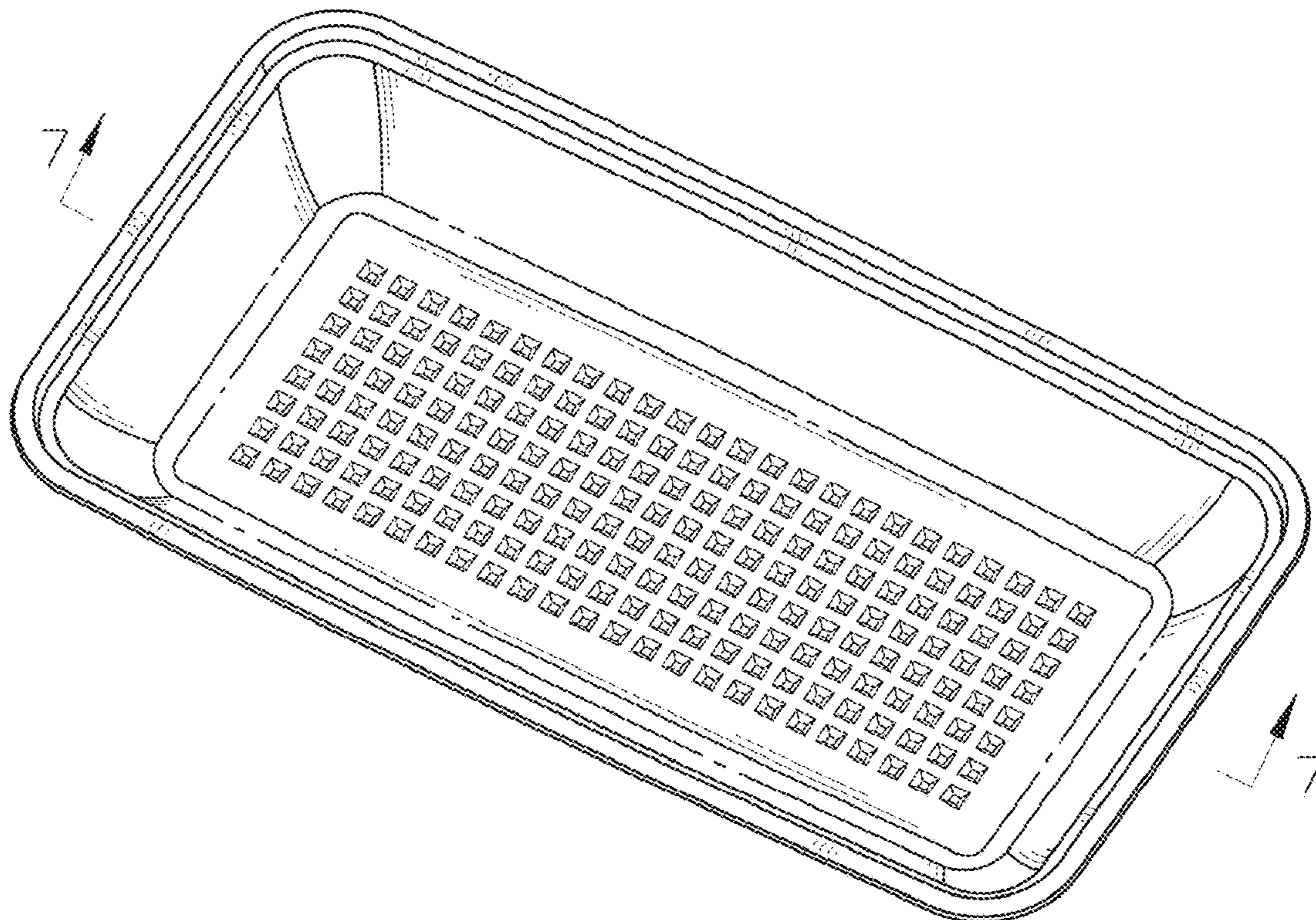
(57) **CLAIM**

The ornamental design for a quadrate plate, as shown and described.

DESCRIPTION

FIG. 1 is a top front perspective view of a quadrate plate showing my new design;
FIG. 2 is a top view thereof;
FIG. 3 is a bottom view thereof;
FIG. 4 is a side view thereof, the other side view being a mirror image thereof;
FIG. 5 is a front view thereof, the back view being a mirror image thereof;
FIG. 6 is a bottom front perspective view thereof; and,
FIG. 7 is a cross-sectional view of the quadrate plate taken along line 7-7 of FIG. 1.

1 Claim, 7 Drawing Sheets



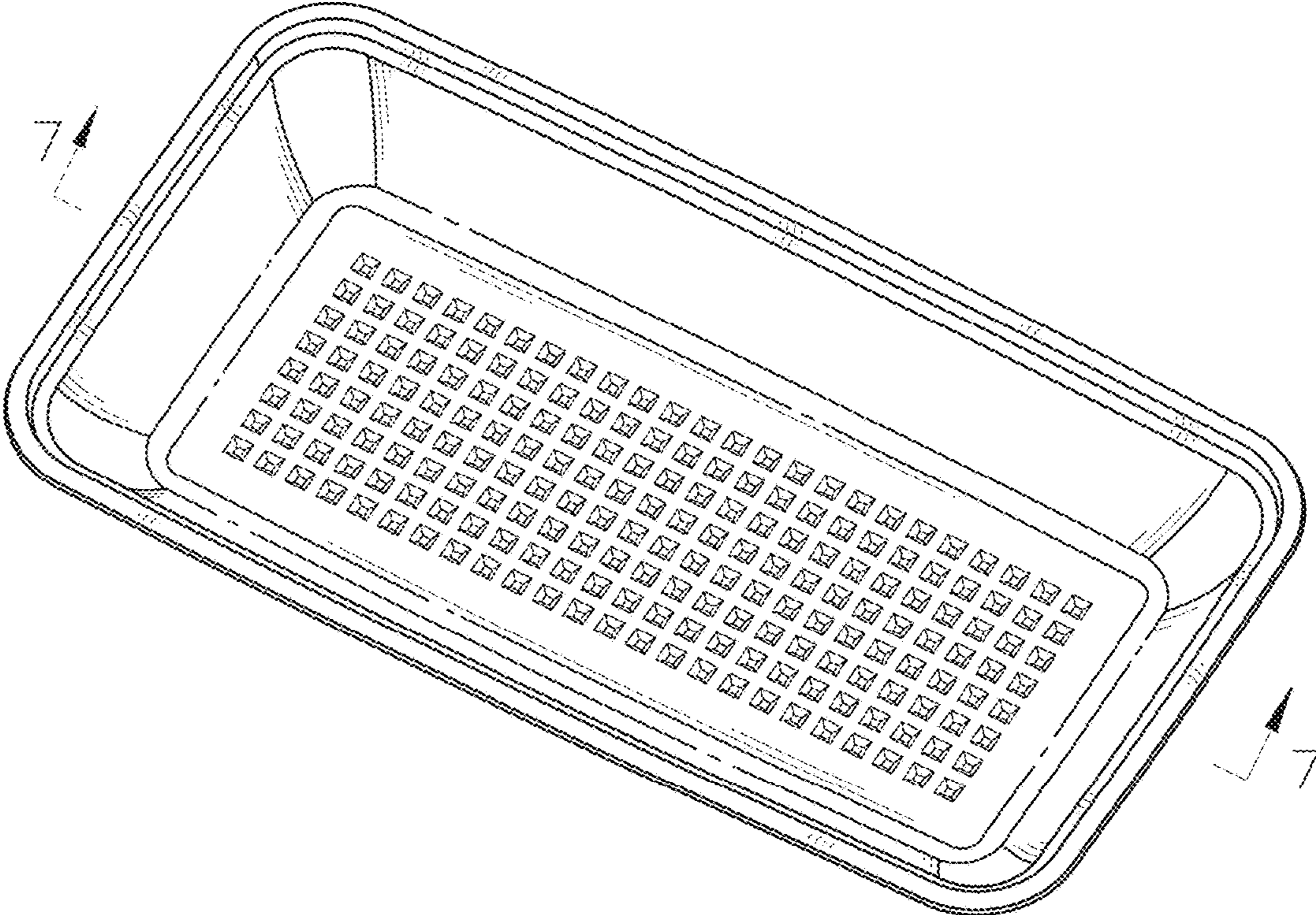


FIG. 1

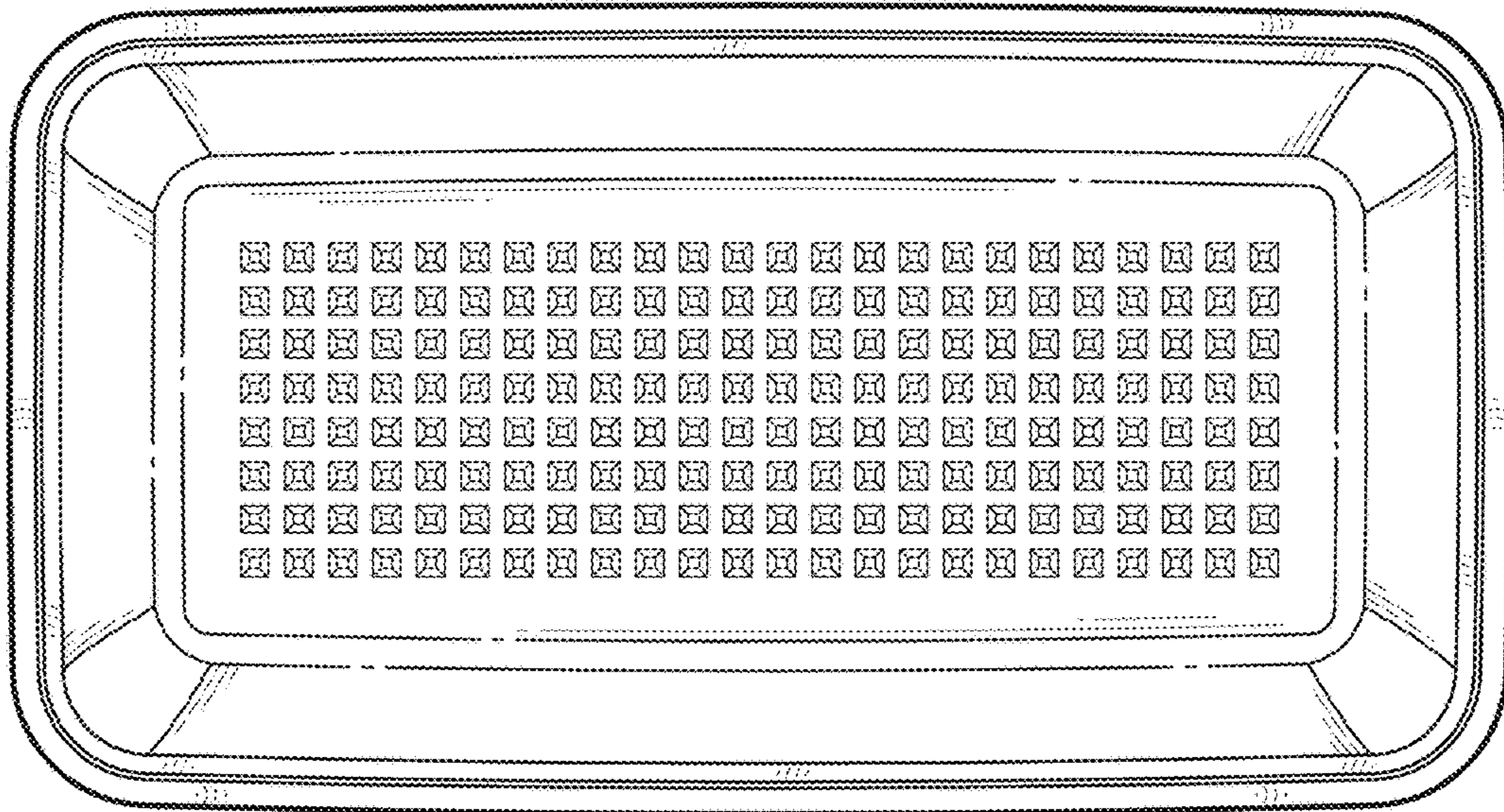


FIG. 2

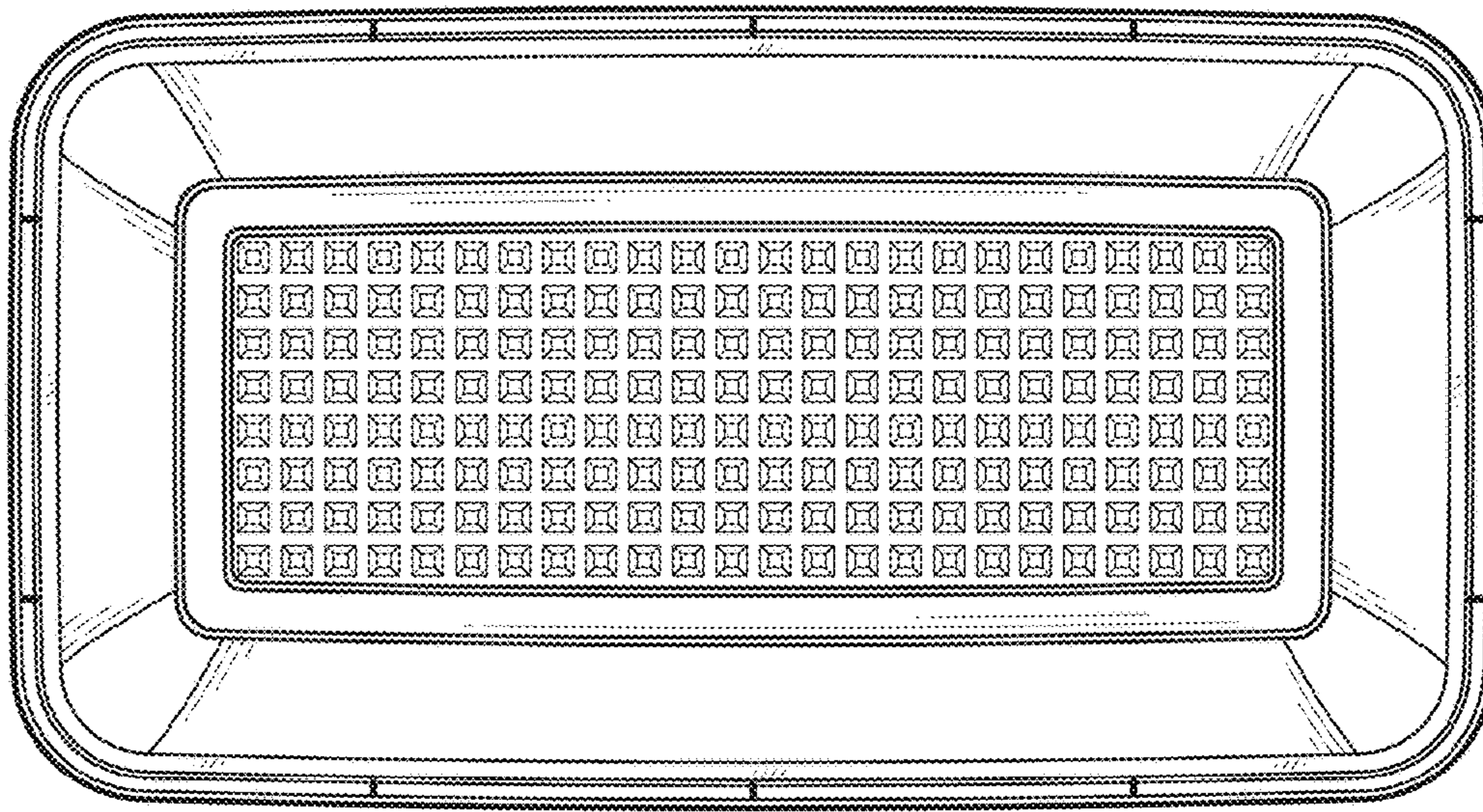


FIG. 3

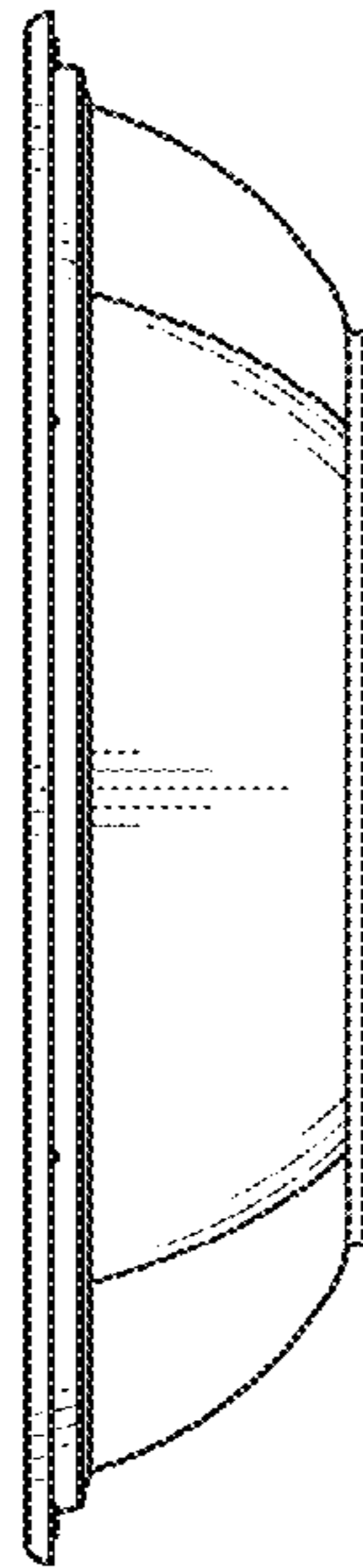


FIG. 4

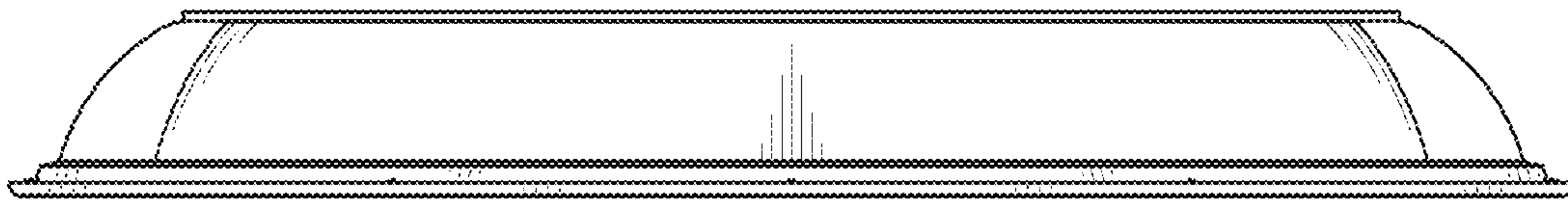


FIG. 5

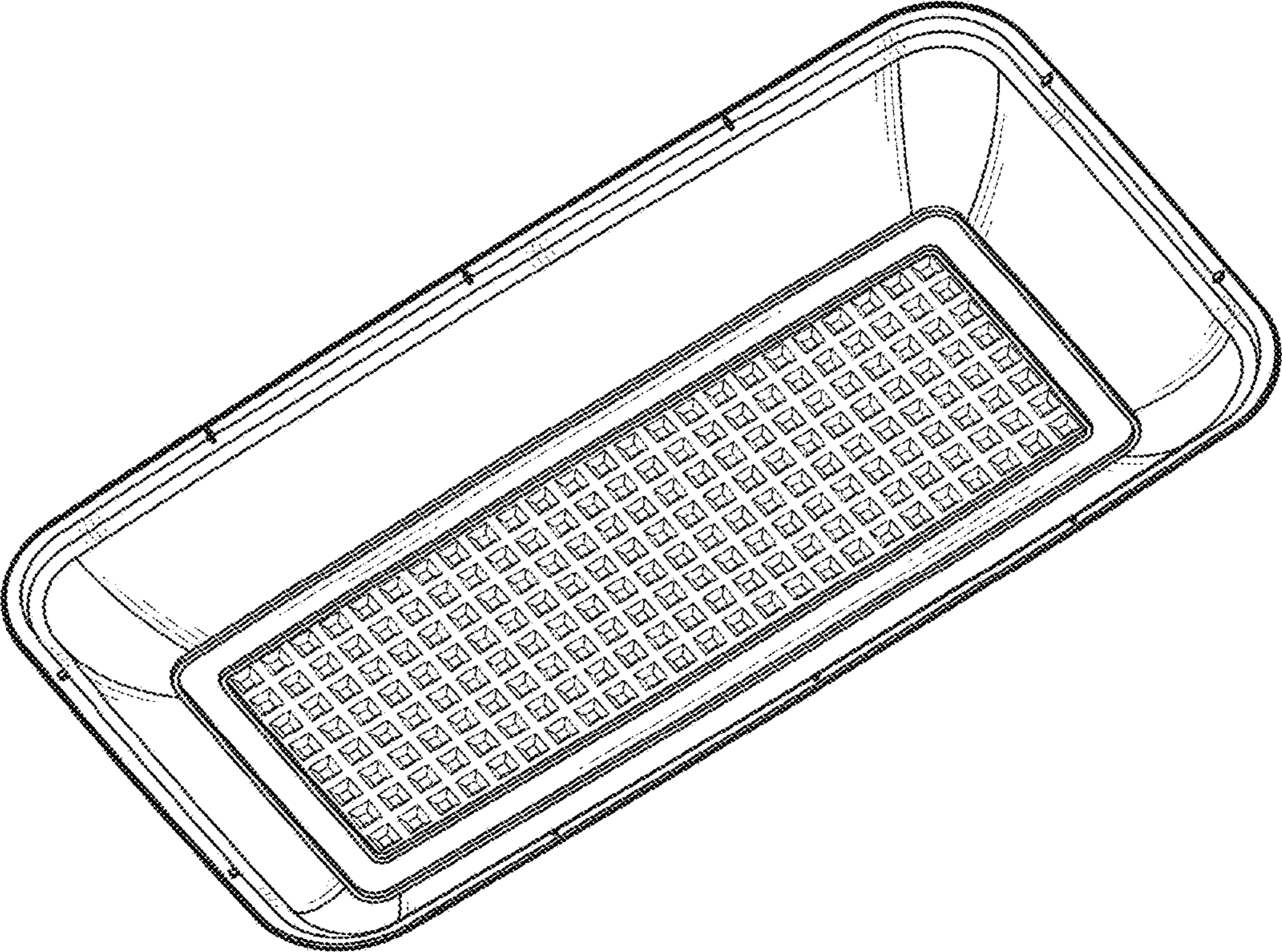


FIG. 6

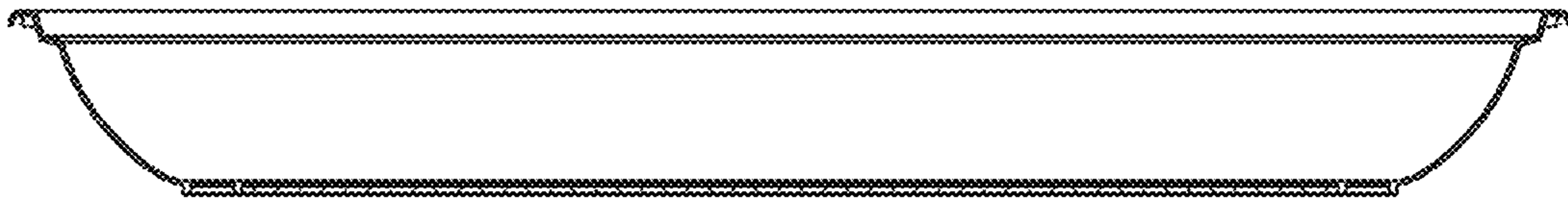


FIG. 7